

US00D543229S

(12) **United States Design Patent**
Hochendoner

(10) **Patent No.:** **US D543,229 S**

(45) **Date of Patent:** **** May 22, 2007**

(54) **INFLATABLE SCREEN**

(75) Inventor: **David Hochendoner**, Allison Park, PA (US)

(73) Assignee: **Sima Products Corporation**, Oakmont, PA (US)

(**) Term: **14 Years**

(21) Appl. No.: **29/254,773**

(22) Filed: **Feb. 28, 2006**

(51) **LOC (8) Cl.** **16-05**

(52) **U.S. Cl.** **D16/241; D16/235**

(58) **Field of Classification Search** D20/10;
D16/241, 235; 362/320, 352, 319; 396/3,
396/4; 160/24, 37, 38, 39, 351; 395/443,
395/461, 459, 460; 472/134

See application file for complete search history.

(56) **References Cited**

U.S. PATENT DOCUMENTS

3,720,455 A	3/1973	Sahlin	
4,323,301 A	4/1982	Spector	
4,597,633 A	7/1986	Fussell	
4,802,734 A	2/1989	Walter	
D323,338 S	* 1/1992	Court D16/241
D357,492 S	* 4/1995	Henry D16/241

5,471,797 A	* 12/1995	Murphy 472/134
5,982,537 A	* 11/1999	Koizumi et al. 359/461
6,008,938 A	* 12/1999	Suehle et al. 359/443
2005/0068618 A1	3/2005	Poretskin	

* cited by examiner

Primary Examiner—Ian Simmons

Assistant Examiner—W. Laymon

(74) *Attorney, Agent, or Firm*—Buchanan Ingersoll & Rooney PC

(57) **CLAIM**

The ornamental design for an inflatable screen, as shown and described.

DESCRIPTION

FIG. 1 is a perspective view of an inflatable screen showing my new design;

FIG. 2 is a front view thereof.

FIG. 3 is a rear view thereof.

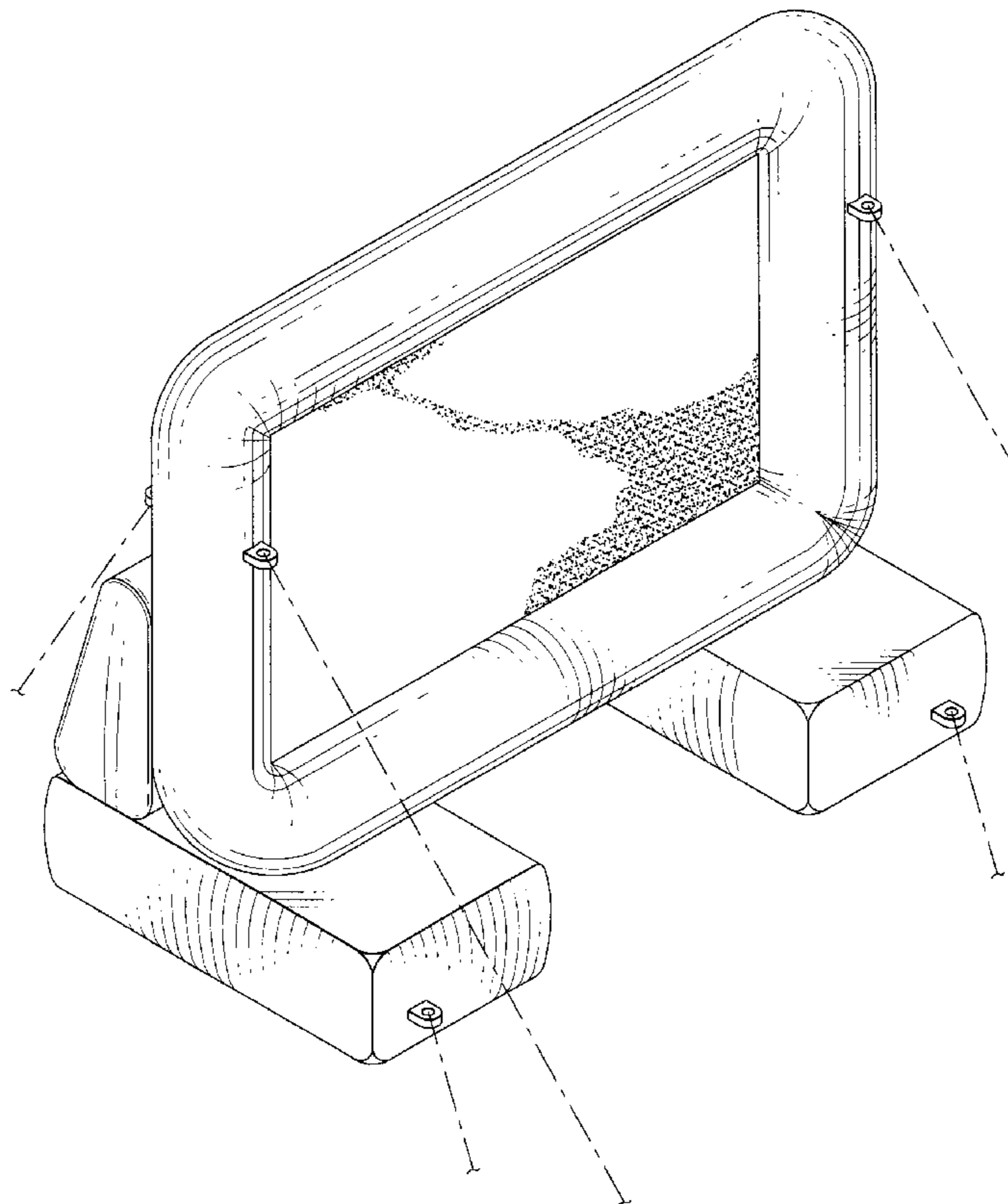
FIG. 4 is a top view thereof.

FIG. 5 is a bottom view thereof; and,

FIG. 6 is a left side view with the right side view being a mirror image thereof.

The broken line in the drawings showing cords used to anchor the inflatable screen are for illustrative purposes only and forms no part of the design.

1 Claim, 5 Drawing Sheets



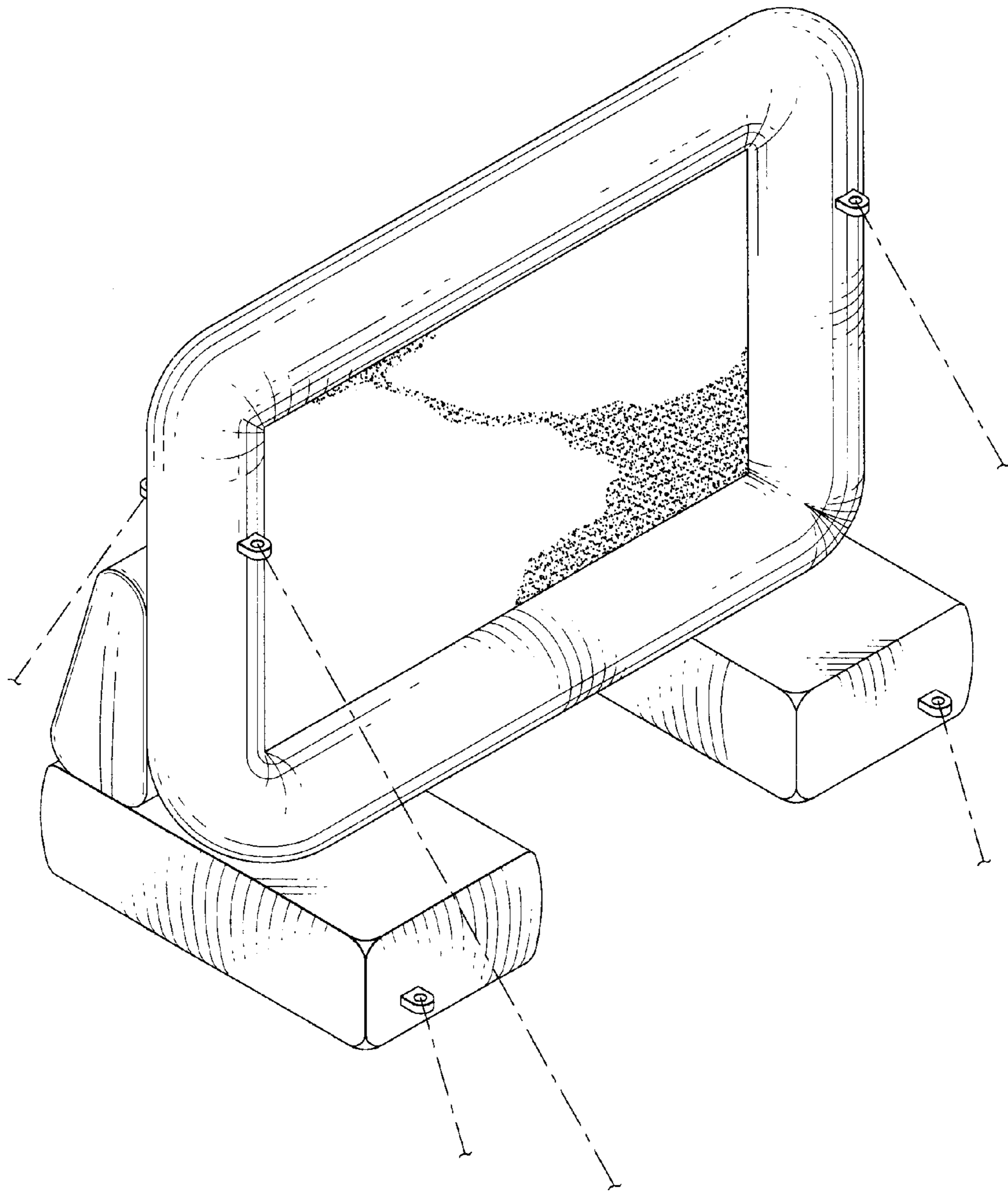


FIG. 1

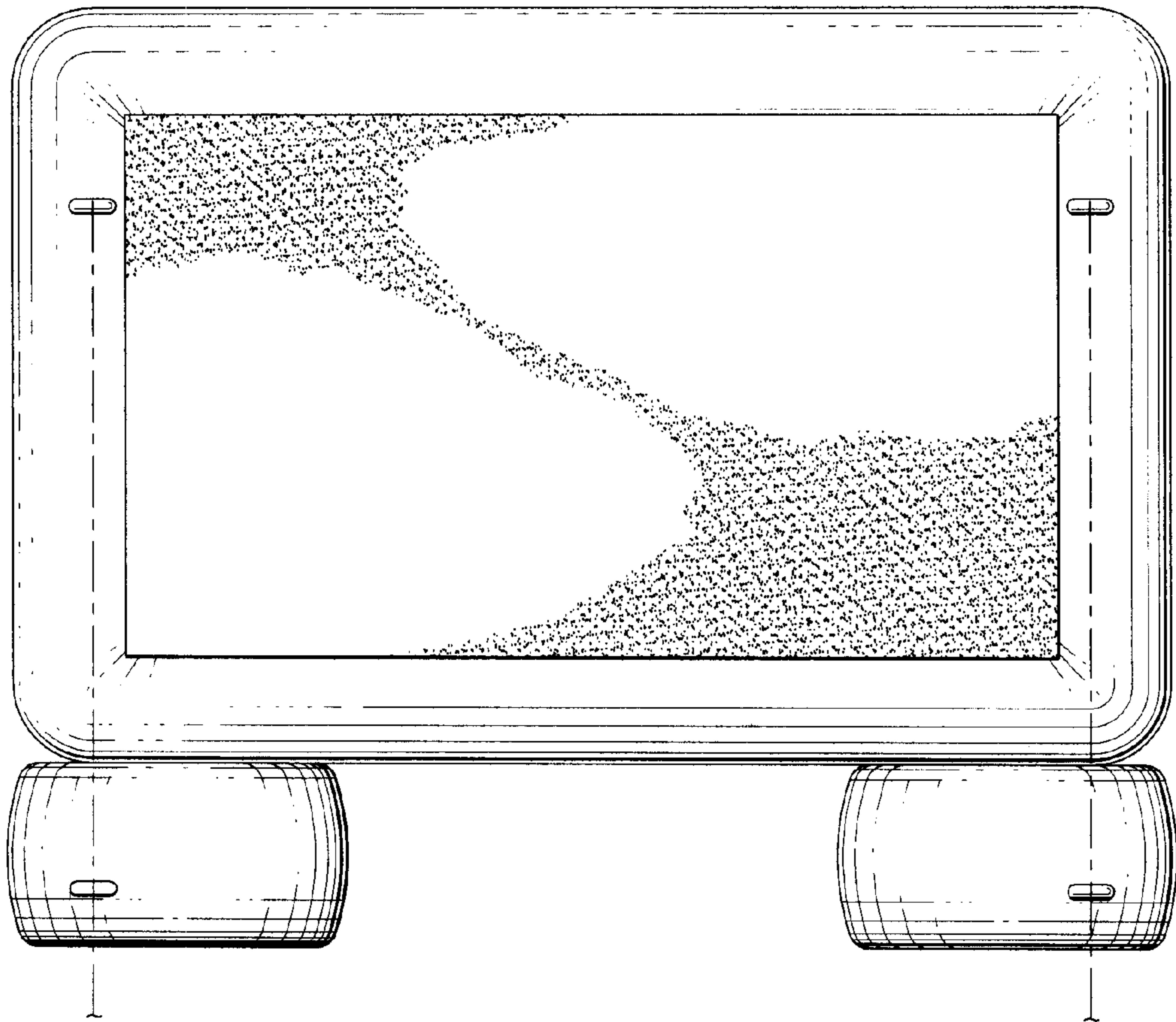


FIG.2

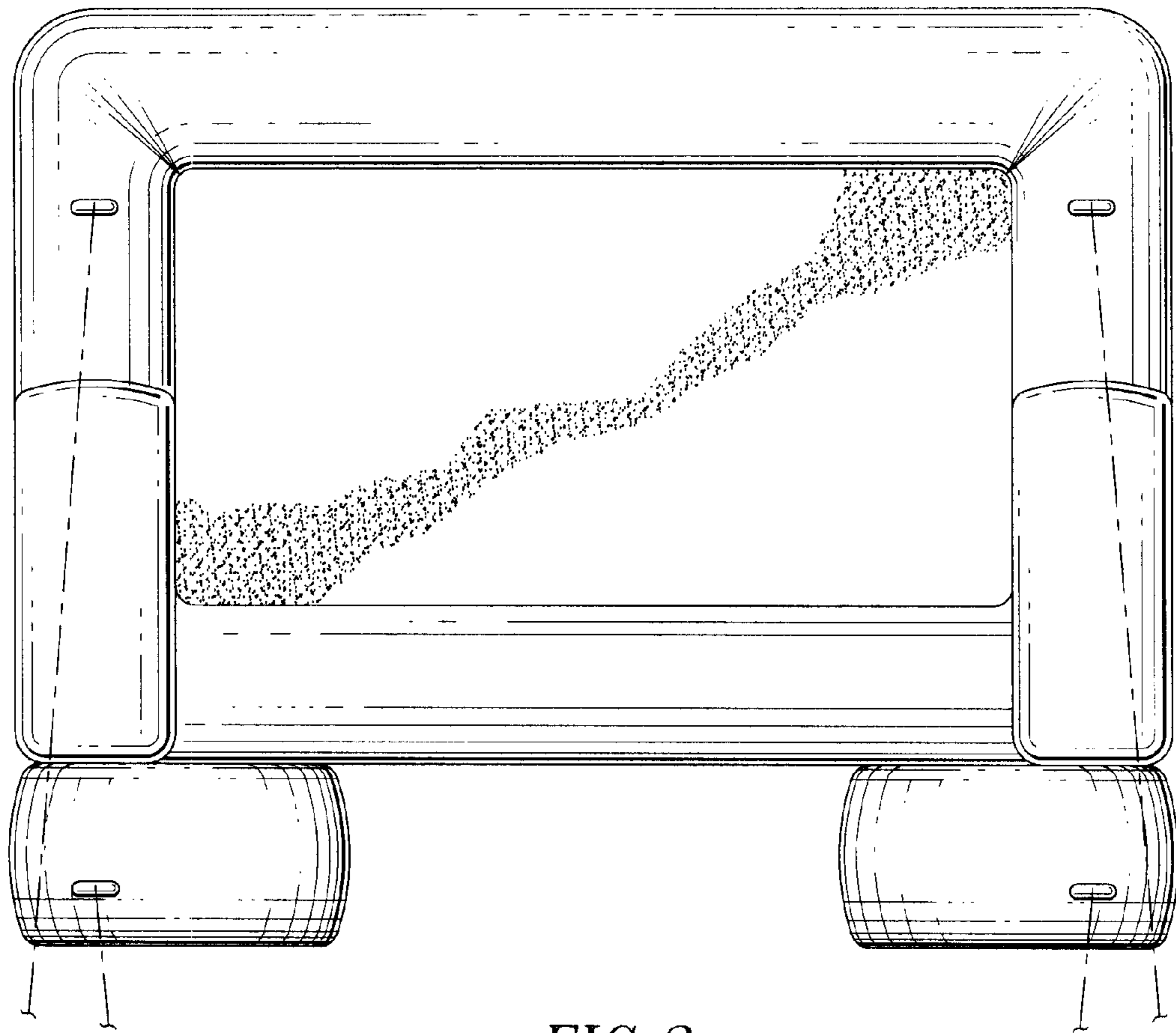
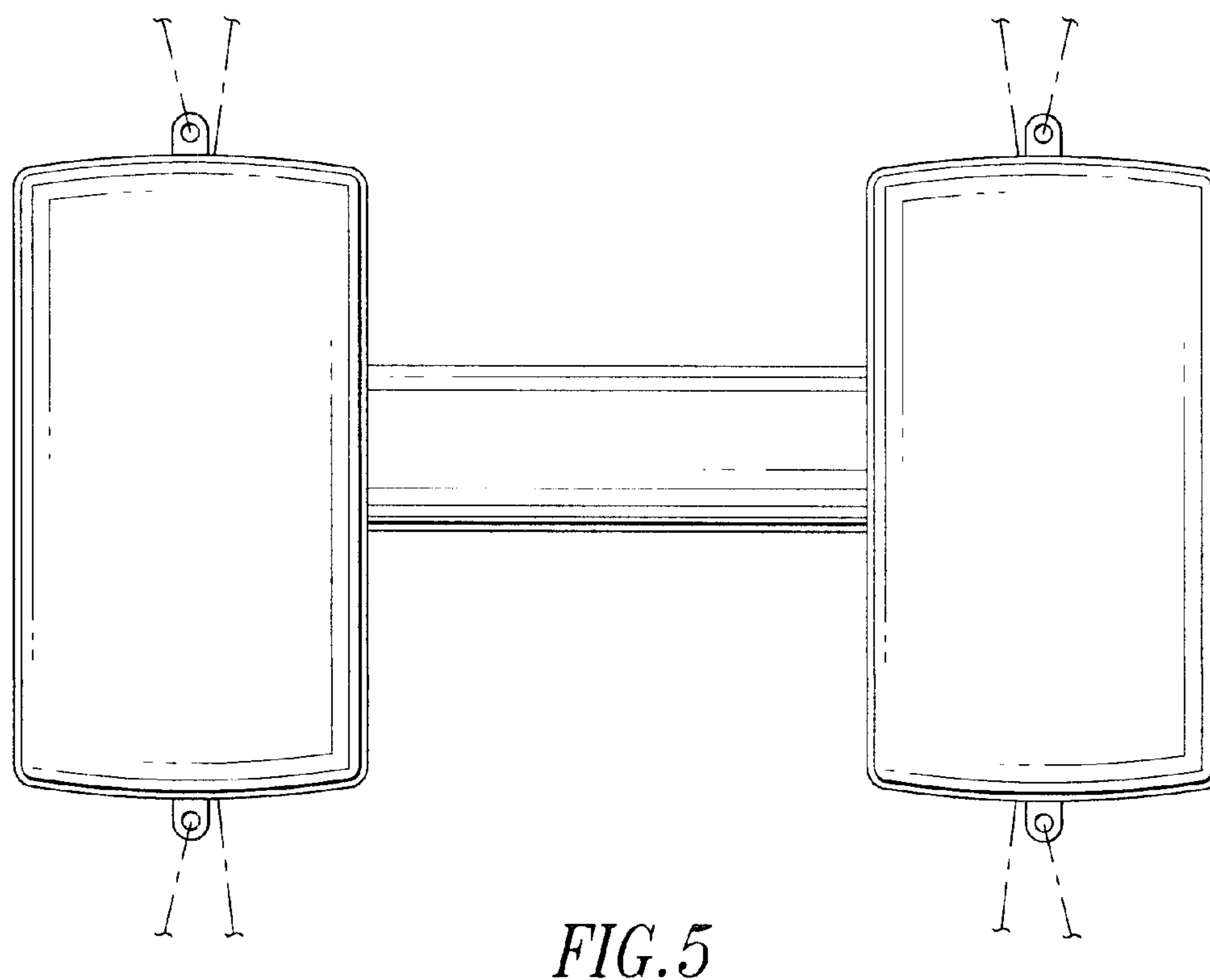
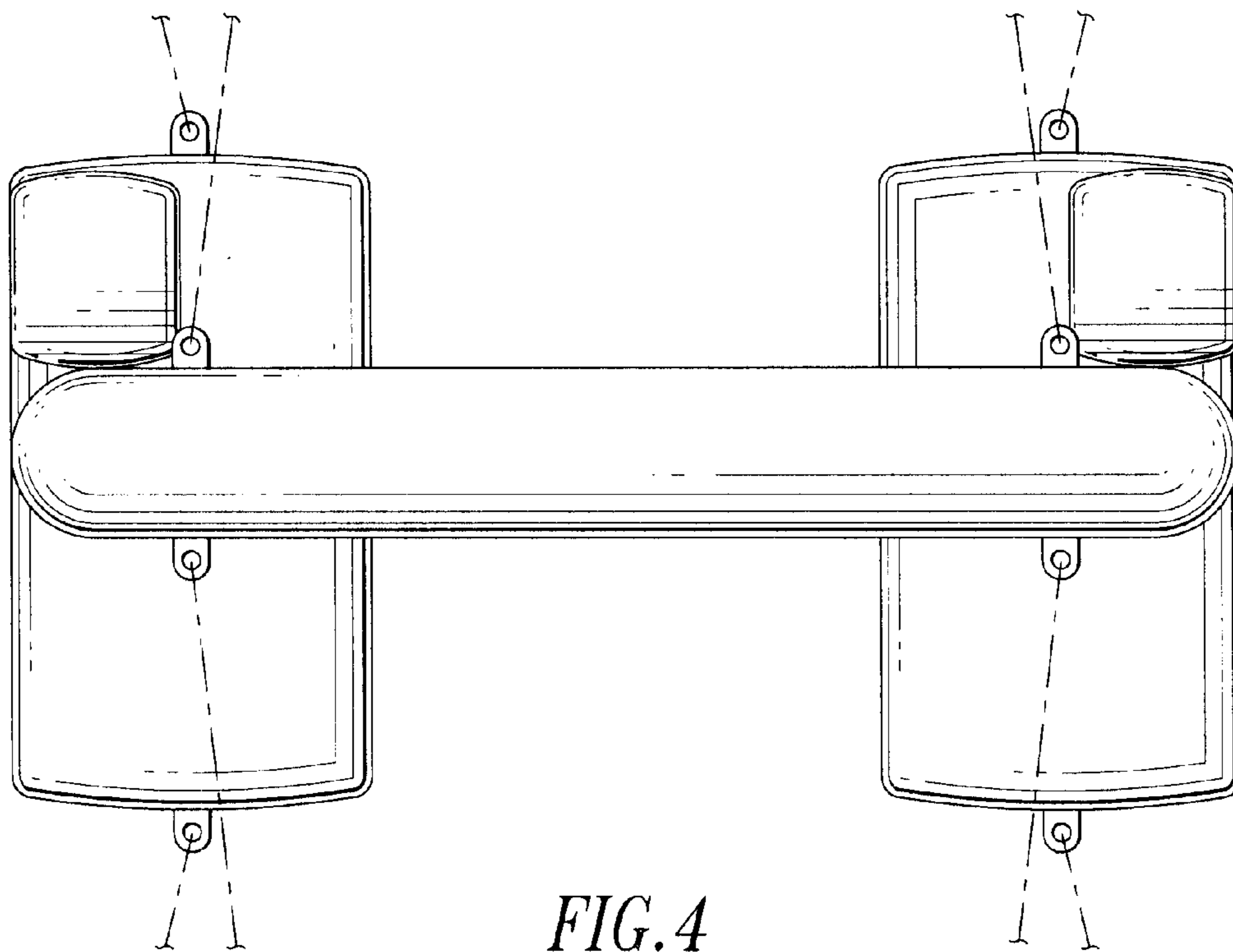


FIG. 3



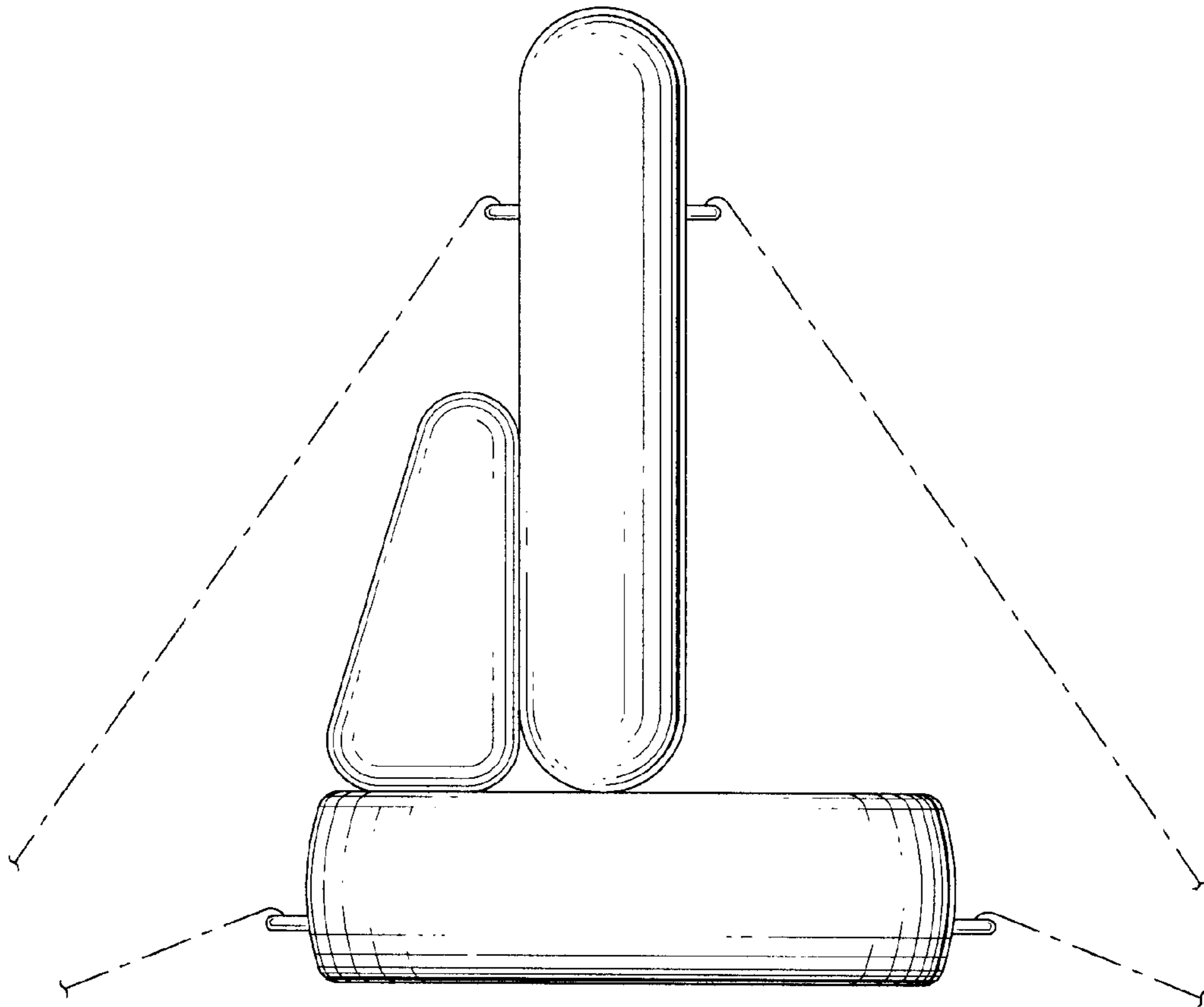


FIG. 6

UNITED STATES PATENT AND TRADEMARK OFFICE
CERTIFICATE OF CORRECTION

PATENT NO. : Des. 543,229 S
APPLICATION NO. : 29/254773
DATED : May 22, 2007
INVENTOR(S) : David Hochendoner

Page 1 of 1

It is certified that error appears in the above-identified patent and that said Letters Patent is hereby corrected as shown below:

Title page, at the Description of the figures, Figure 5, change "vied" to --view--.

Signed and Sealed this

Seventh Day of August, 2007

A handwritten signature in black ink on a light gray dotted background. The signature reads "Jon W. Dudas" in a cursive style.

JON W. DUDAS

Director of the United States Patent and Trademark Office