

US00D543228S

(12) **United States Design Patent**
Miyashita

(10) **Patent No.:** **US D543,228 S**

(45) **Date of Patent:** **** May 22, 2007**

(54) **CAMERA**

(75) Inventor: **Shin Miyashita**, Tokyo (JP)

(73) Assignee: **Sony Corporation**, Tokyo (JP)

(**) Term: **14 Years**

(21) Appl. No.: **29/242,210**

(22) Filed: **Nov. 8, 2005**

(30) **Foreign Application Priority Data**

Jul. 21, 2005 (JP) 2005-021179

(51) **LOC (8) Cl.** **16-05**

(52) **U.S. Cl.** **D16/219; D16/212**

(58) **Field of Classification Search** D16/200–205,
D16/208, 209, 212, 218, 219; 348/373–376;
358/909.1; 396/535–541

See application file for complete search history.

(56) **References Cited**

U.S. PATENT DOCUMENTS

| | | | | | |
|------------|---|---------|---------------|-------|---------|
| D450,741 S | * | 11/2001 | Oka | | D16/202 |
| D452,972 S | * | 1/2002 | Suzuki et al. | | D16/219 |
| D494,203 S | * | 8/2004 | Yoo | | D16/202 |
| D494,205 S | | 8/2004 | Kawase | | |
| D496,678 S | | 9/2004 | Kawase | | |
| D505,686 S | * | 5/2005 | Ikenaga | | D16/202 |
| D508,065 S | * | 8/2005 | Dow et al. | | D16/202 |
| D508,711 S | | 8/2005 | Suzuki | | |
| D518,499 S | * | 4/2006 | Iue | | D16/219 |
| D524,836 S | * | 7/2006 | Morita | | D16/202 |

FOREIGN PATENT DOCUMENTS

JP D1162508 S 1/2003

OTHER PUBLICATIONS

Web page “DSC-T1” http://www.sony.co.jp.uk/view/Show-Product.action?product=DSC-T1&site=odw_en_GB&pageType=Overview&category=DPH+Digital+Still+Cameras, 1 sheet, Sony (Sep. 2005).

* cited by examiner

Primary Examiner—Adir Aronovich

(74) *Attorney, Agent, or Firm*—Rader, Fishman & Grauer PLLC

(57) **CLAIM**

The ornamental design for a camera, as shown and described.

DESCRIPTION

FIG. 1 is a perspective view of a camera showing my new design;

FIG. 2 is a front elevational view thereof;

FIG. 3 is a left side elevational view thereof;

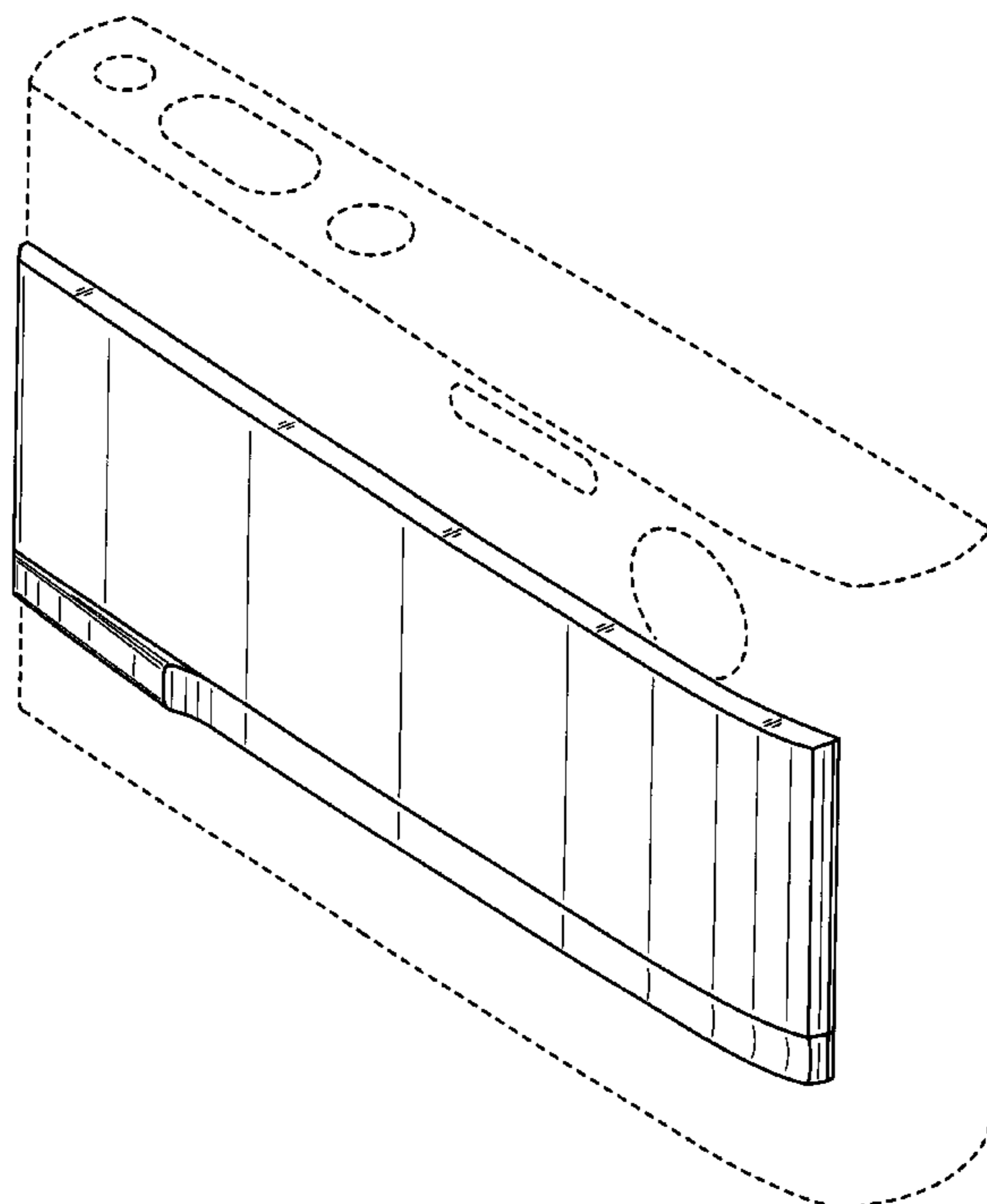
FIG. 4 is a right side elevational view thereof;

FIG. 5 is a top plan view thereof; and,

FIG. 6 is a bottom plan view thereof.

Portions of FIGS. 1–6 that are shown as broken lines are for illustrative purpose only and form no part of the claimed design.

1 Claim, 6 Drawing Sheets



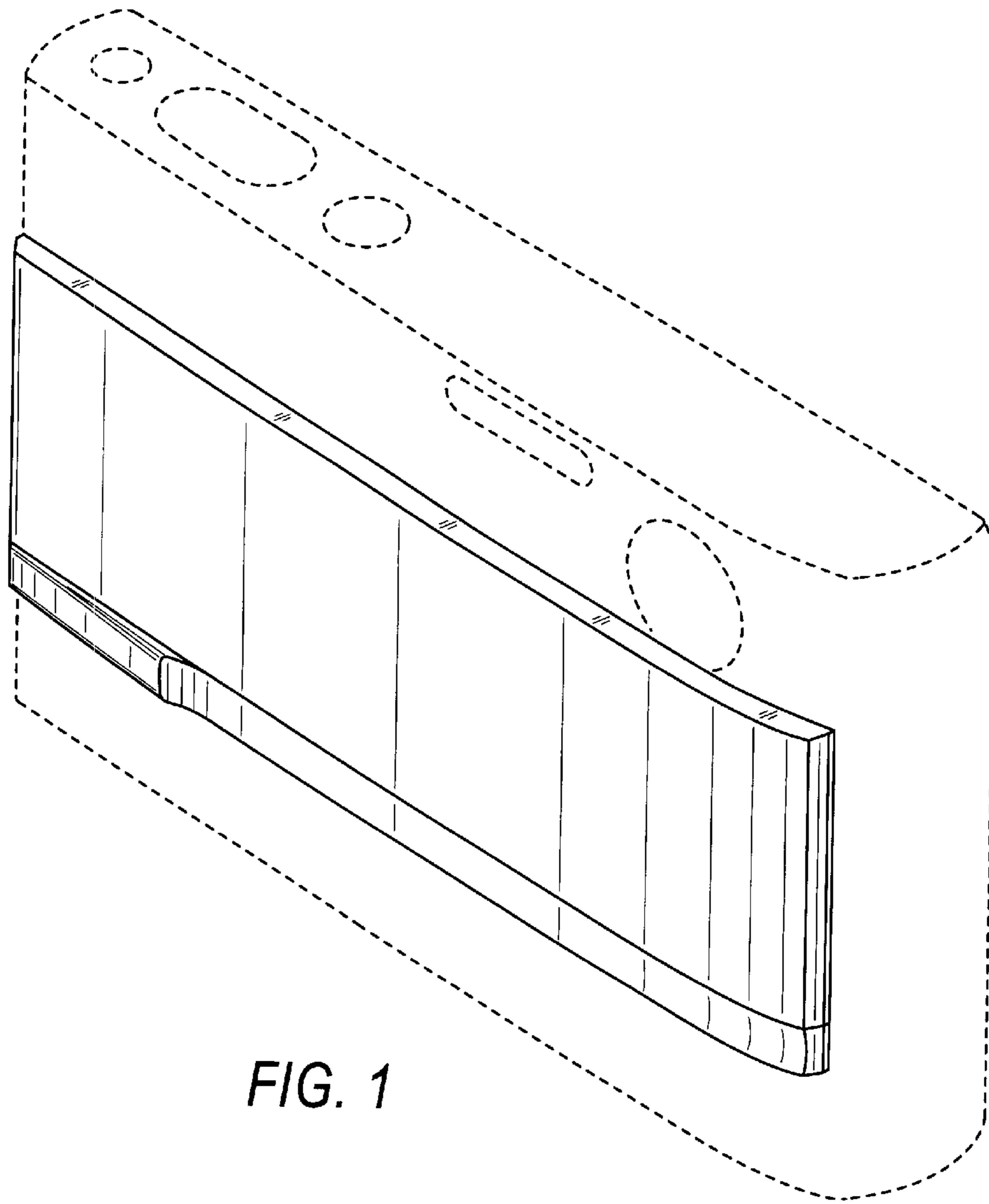


FIG. 1

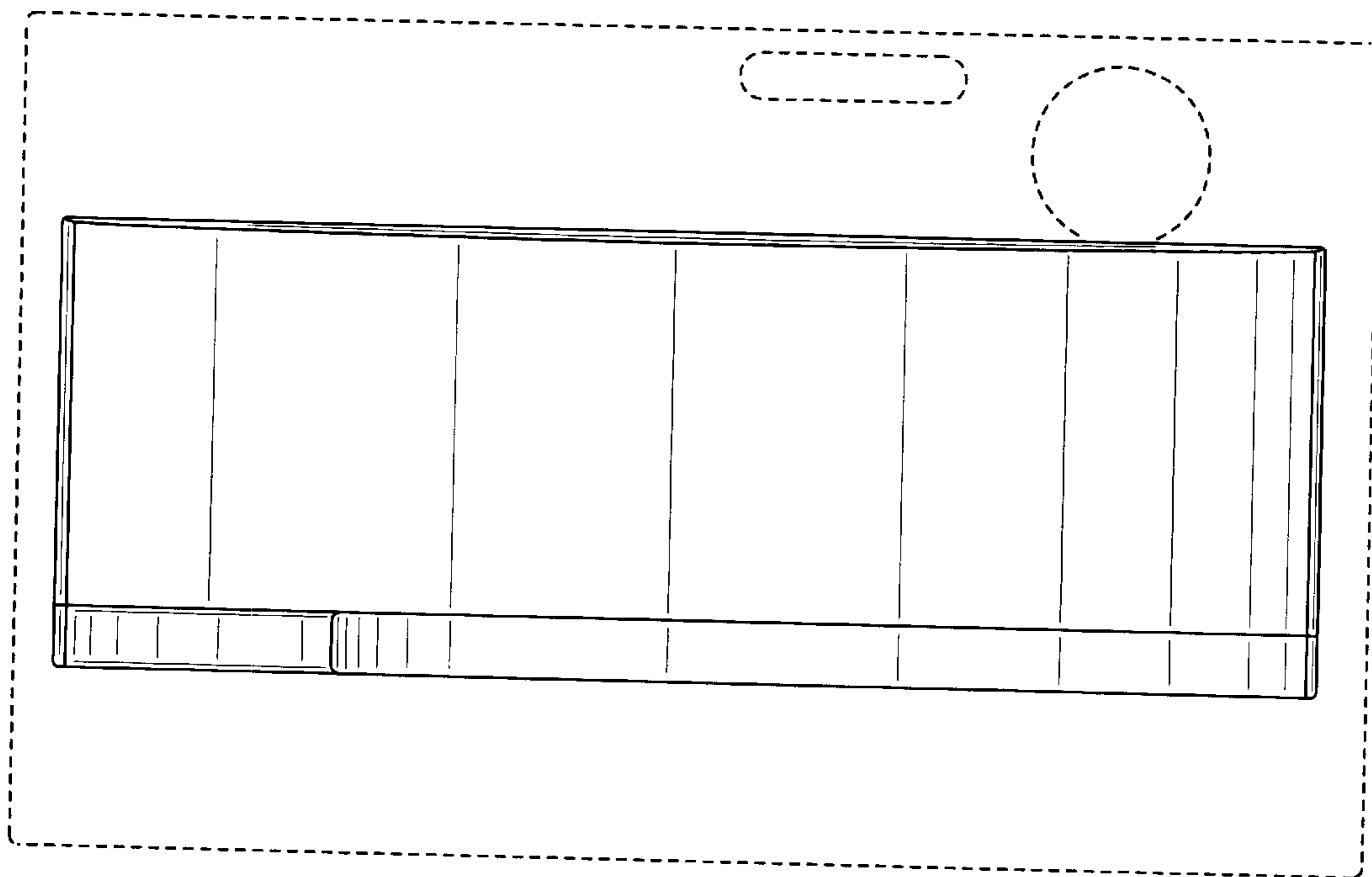


FIG. 2

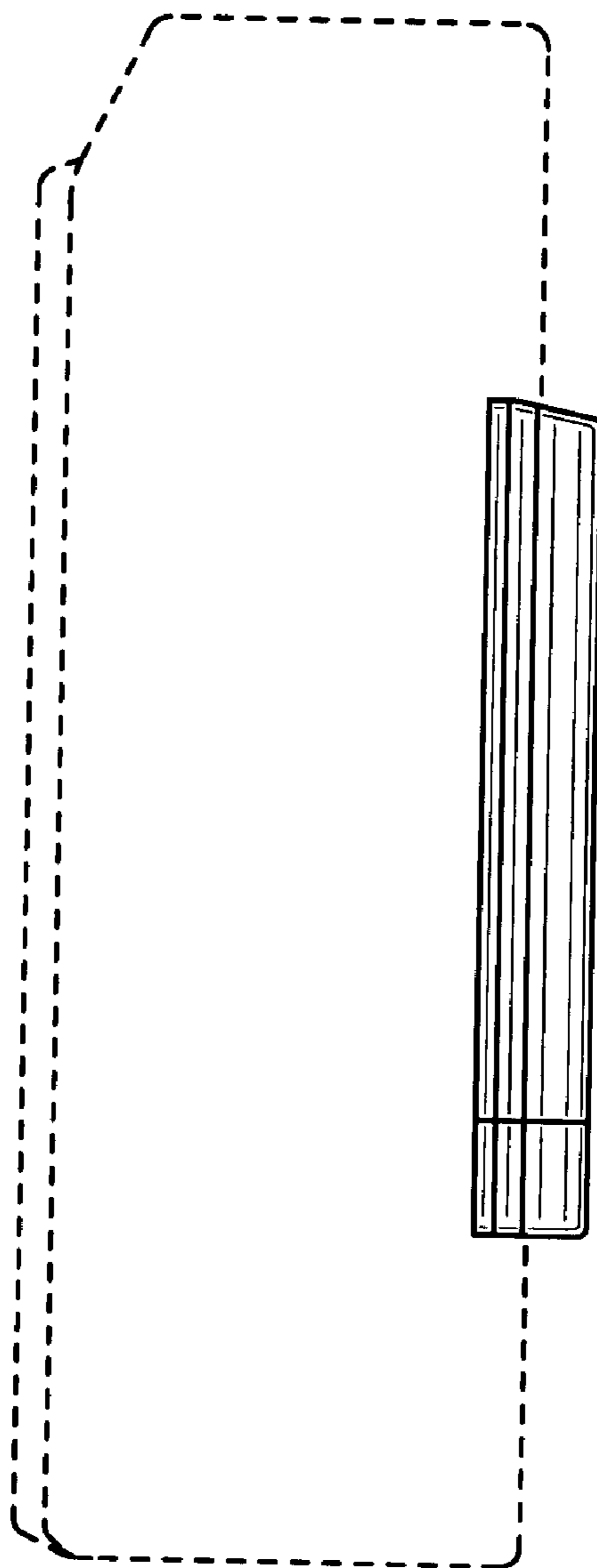


FIG. 3

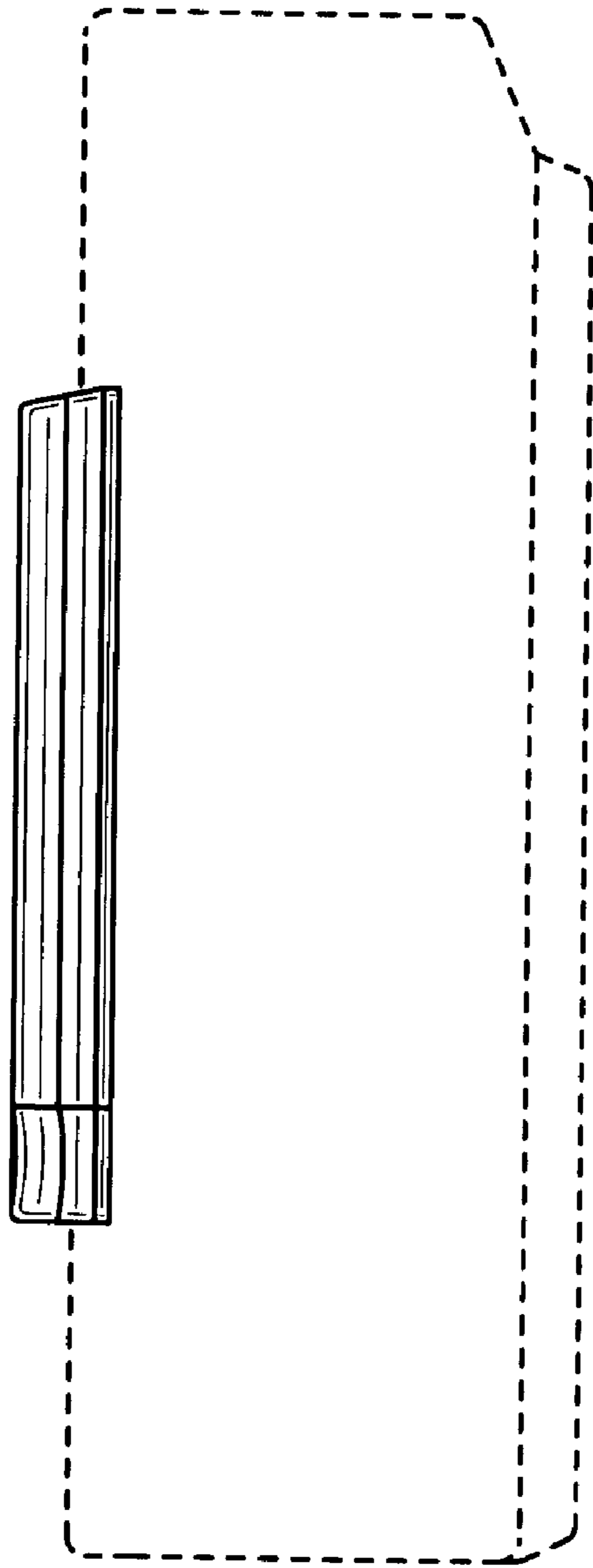


FIG. 4

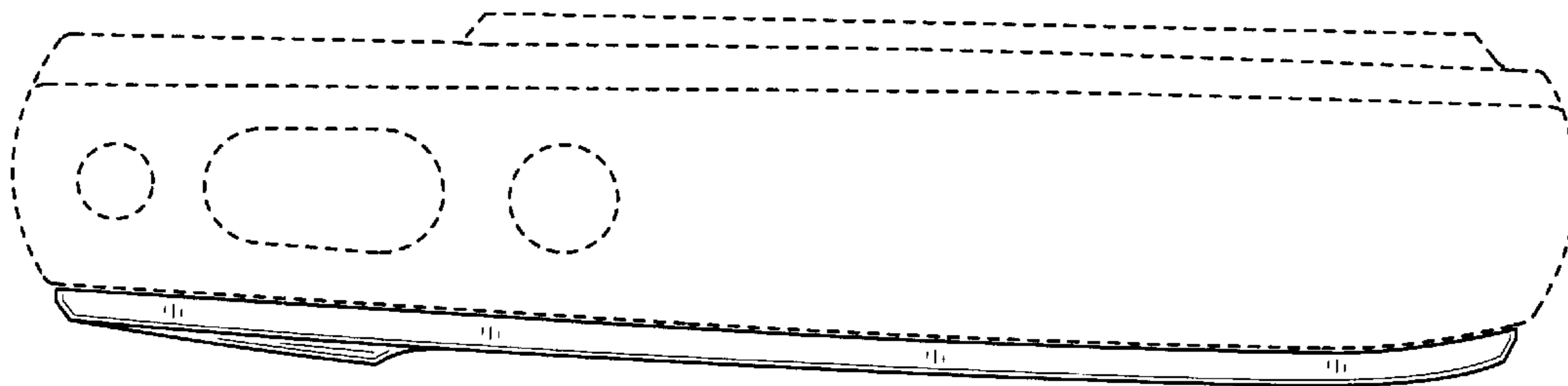


FIG. 5

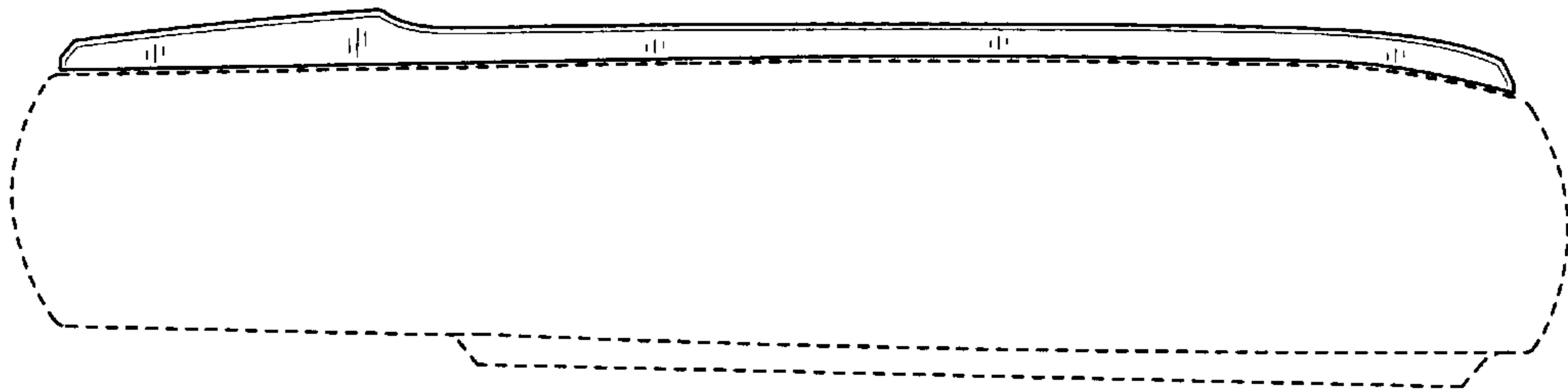


FIG. 6