



US00D543227S

(12) **United States Design Patent**  
**Hayashi**

(10) **Patent No.:** **US D543,227 S**

(45) **Date of Patent:** **\*\* May 22, 2007**

(54) **DIGITAL CAMERA**

D524,348 S \* 7/2006 Nagayama et al. .... D16/219

(75) Inventor: **Tatsuyuki Hayashi**, Saitama (JP)

**OTHER PUBLICATIONS**

(73) Assignee: **PENTAX Corporation**, Tokyo (JP)

National center for industrial property information received the documents on Jul. 20, 2004; Name of documents: ASAHI CAMERA No. 500 Aug. 3, 2004; Shown in p. 11; Design of camera lens; Document No. of trademark and design section in JP Patent Office is HA16014707.

(\*\*) Term: **14 Years**

\* cited by examiner

(21) Appl. No.: **29/239,065**

(22) Filed: **Sep. 27, 2005**

*Primary Examiner*—Adir Aronovich

(30) **Foreign Application Priority Data**

(74) *Attorney, Agent, or Firm*—Sughrue Mion, PLLC

Mar. 29, 2005 (JP) ..... 2005-009264

(57) **CLAIM**

(51) **LOC (8) Cl.** ..... **16-05**

(52) **U.S. Cl.** ..... **D16/219; D16/202**

(58) **Field of Classification Search** ..... D16/200–204,  
D16/208, 218, 219; 348/373–376; 358/909.1;  
396/535–541

The ornamental design for a digital camera, as shown and described.

See application file for complete search history.

**DESCRIPTION**

(56) **References Cited**

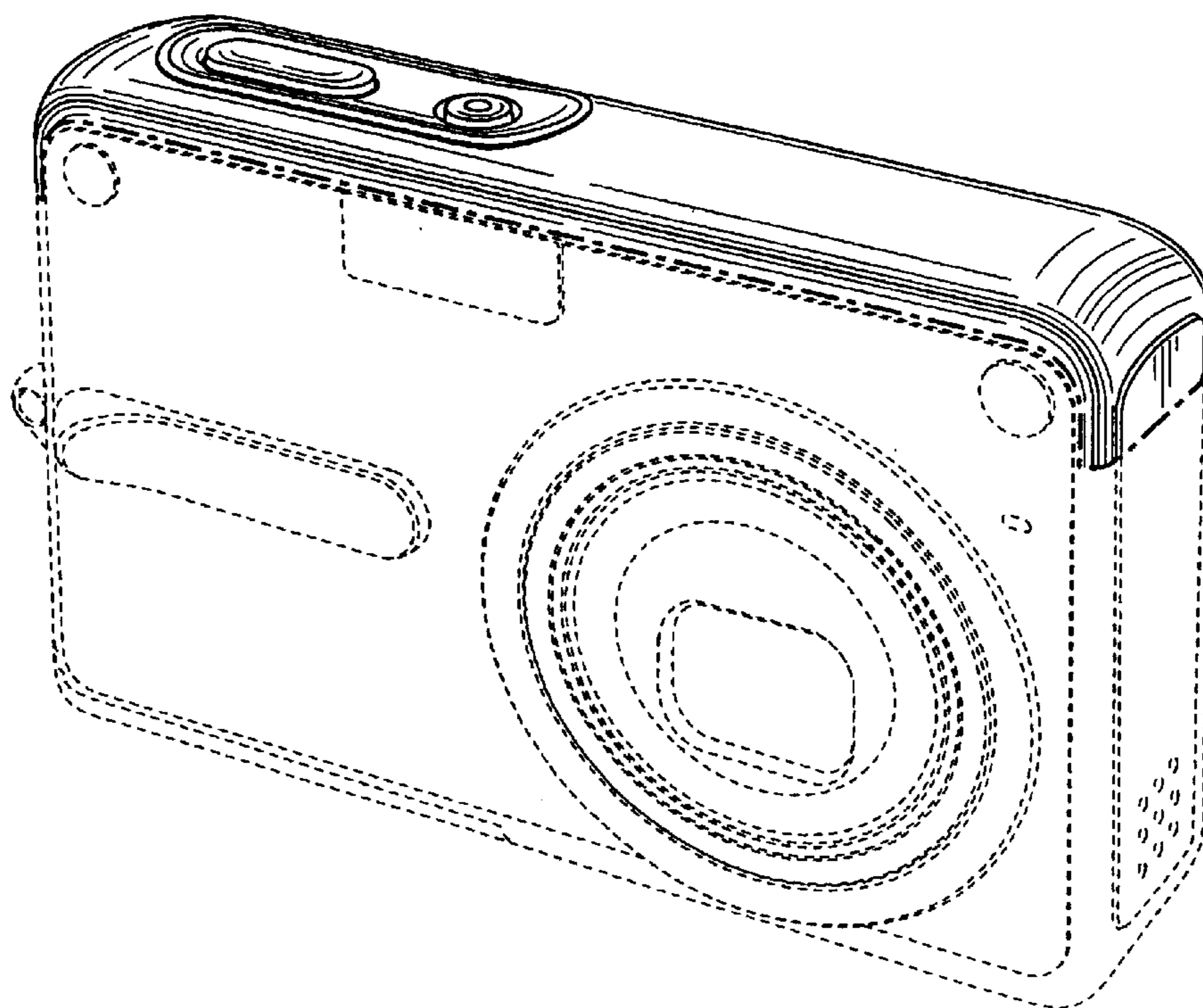
FIG. 1 is a perspective view of the top, front, and right side of a digital camera showing my new design; FIG. 2 is a top plan view thereof; FIG. 3 is a front elevational view thereof; FIG. 4 is a left side elevational view thereof; FIG. 5 is a right side elevational view thereof; FIG. 6 is a rear elevational view thereof; and, FIG. 7 is a bottom plan view thereof.

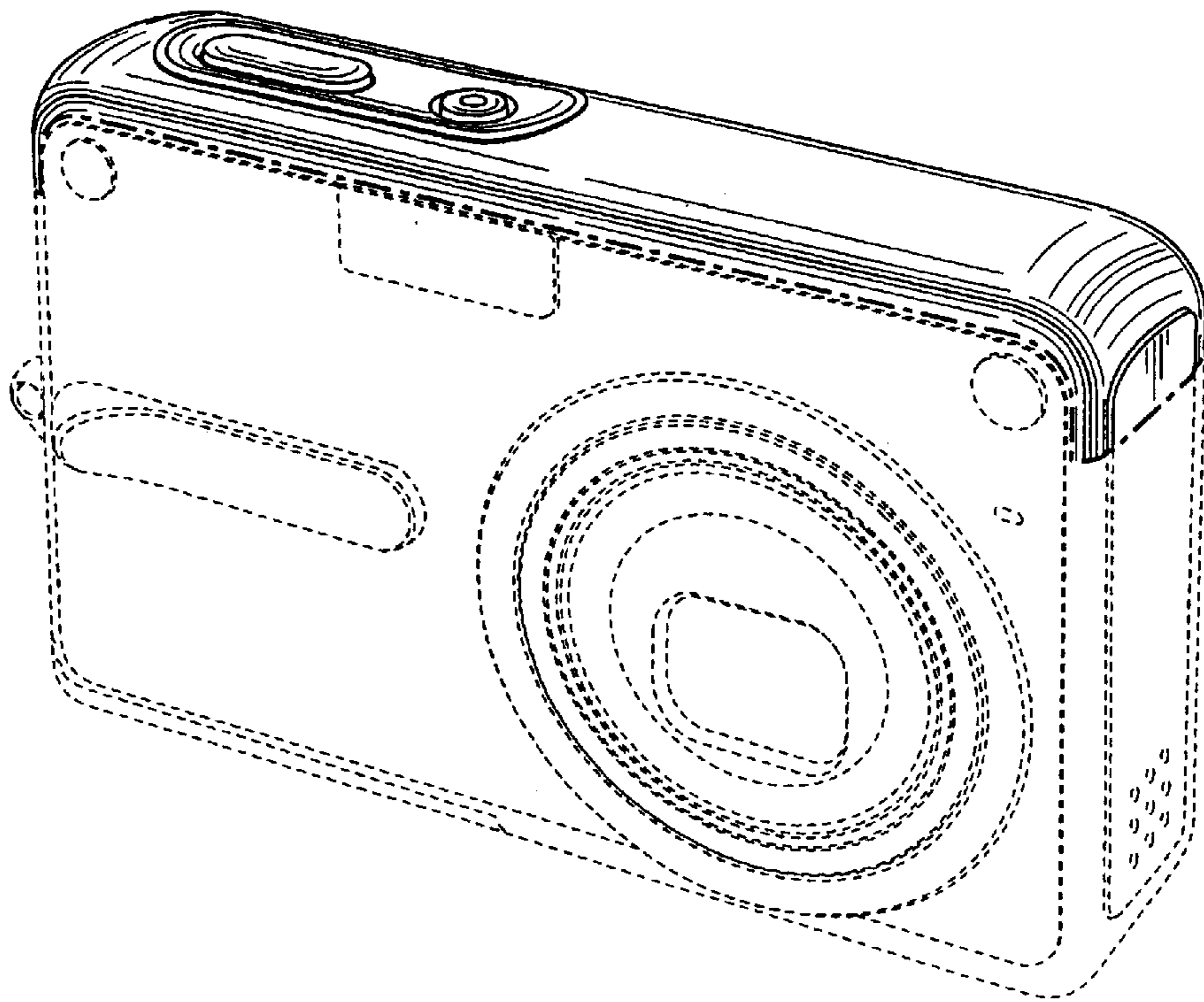
**U.S. PATENT DOCUMENTS**

The portions shown in broken lines are for illustrative purposes only and form no part of the claimed design.

D438,230 S	*	2/2001	Hamamura	.....	D16/219
D475,074 S	*	5/2003	Shiotani	.....	D16/209
D486,172 S	*	2/2004	Senda	.....	D16/219
D496,380 S	*	9/2004	Isomoto	.....	D16/202
D496,675 S	*	9/2004	Fujii	.....	D16/202
6,788,894 B2	*	9/2004	Suzuki et al.	.....	348/373
D508,709 S	*	8/2005	Watanabe	.....	D16/202

**1 Claim, 4 Drawing Sheets**





*FIG. 1*

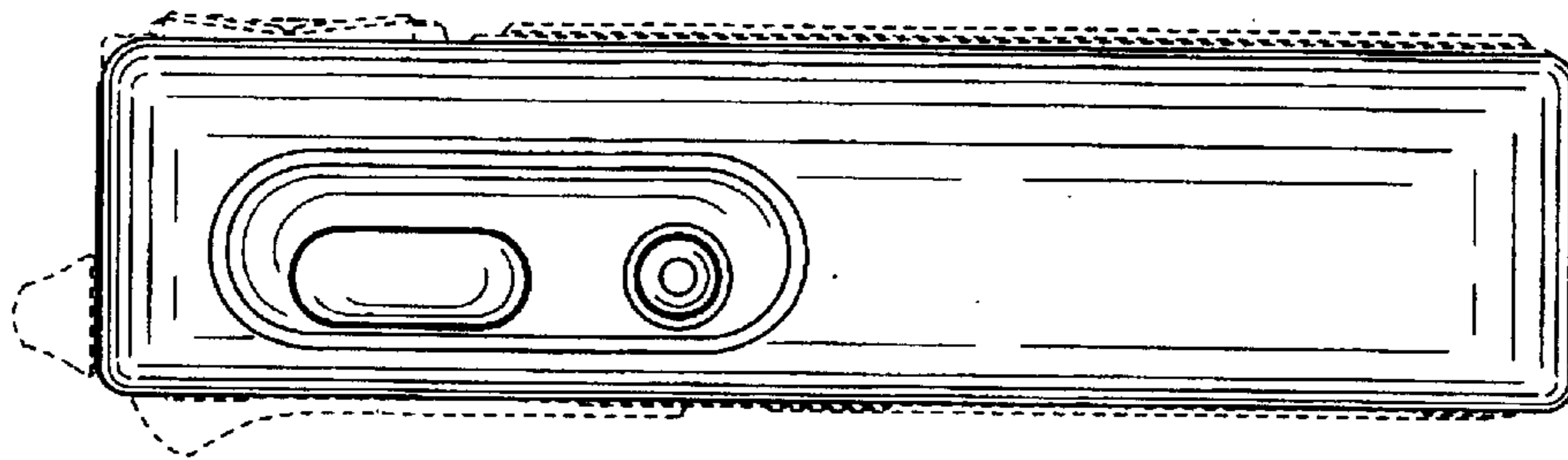


FIG. 2

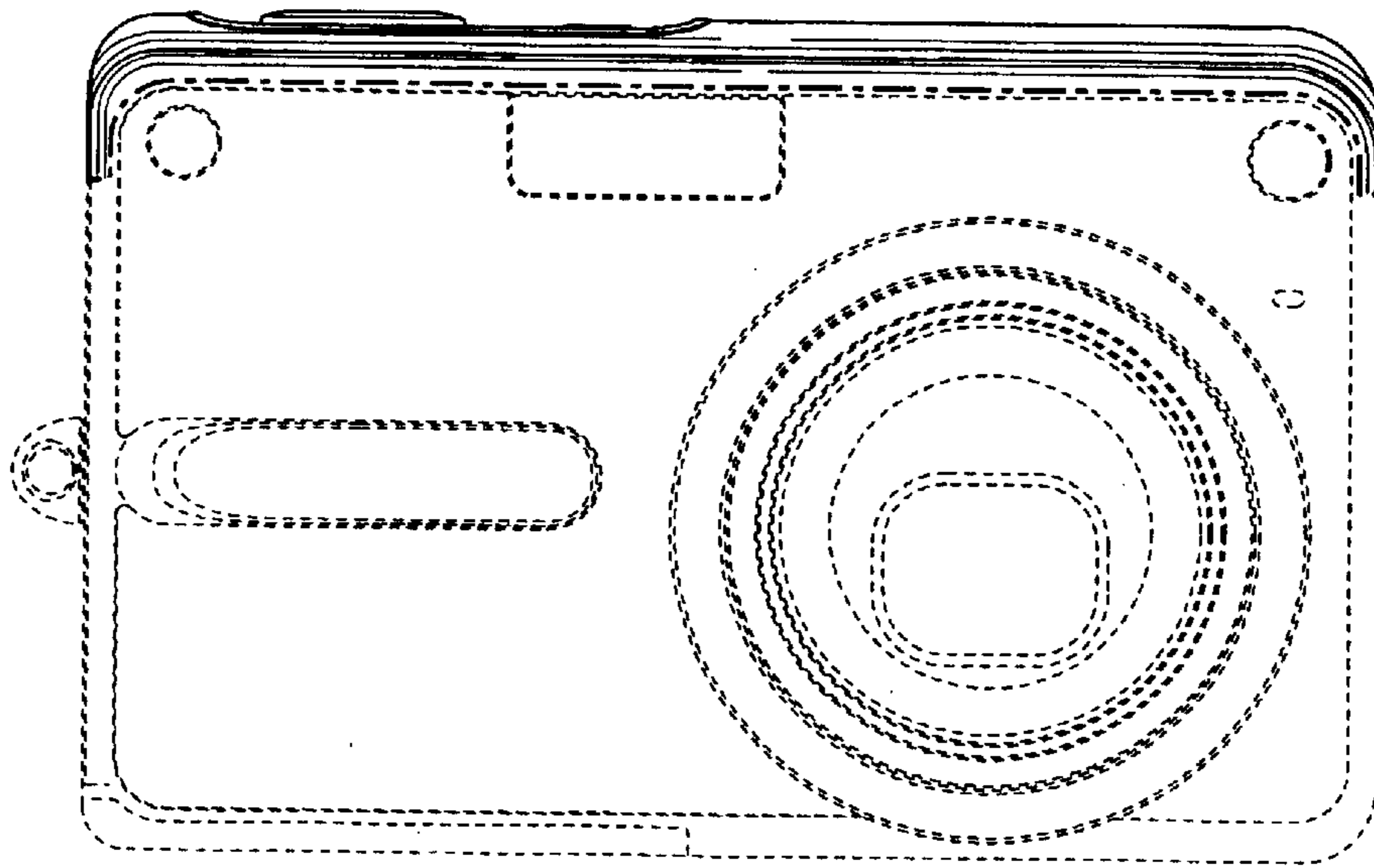
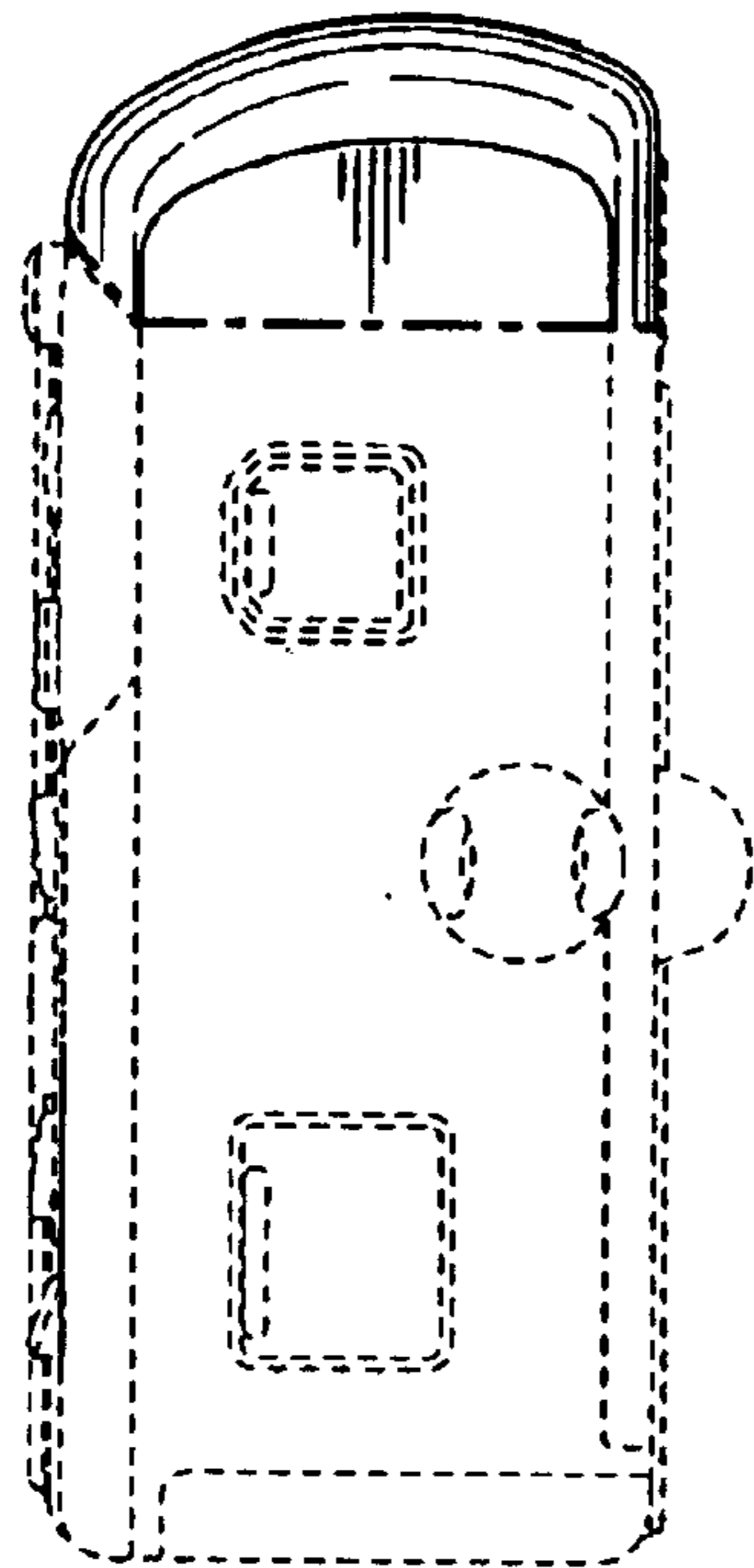
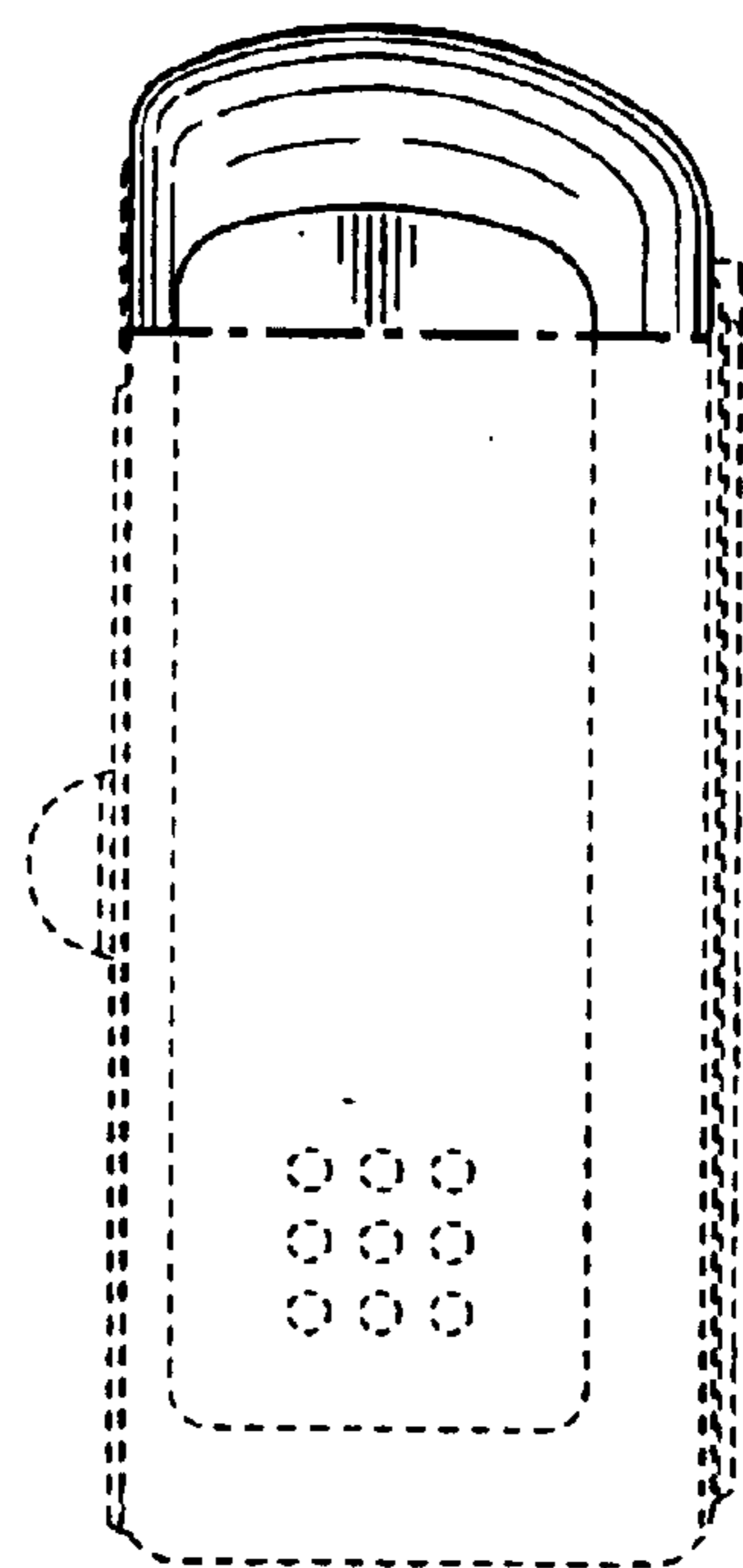


FIG. 3



*FIG. 4*



*FIG. 5*

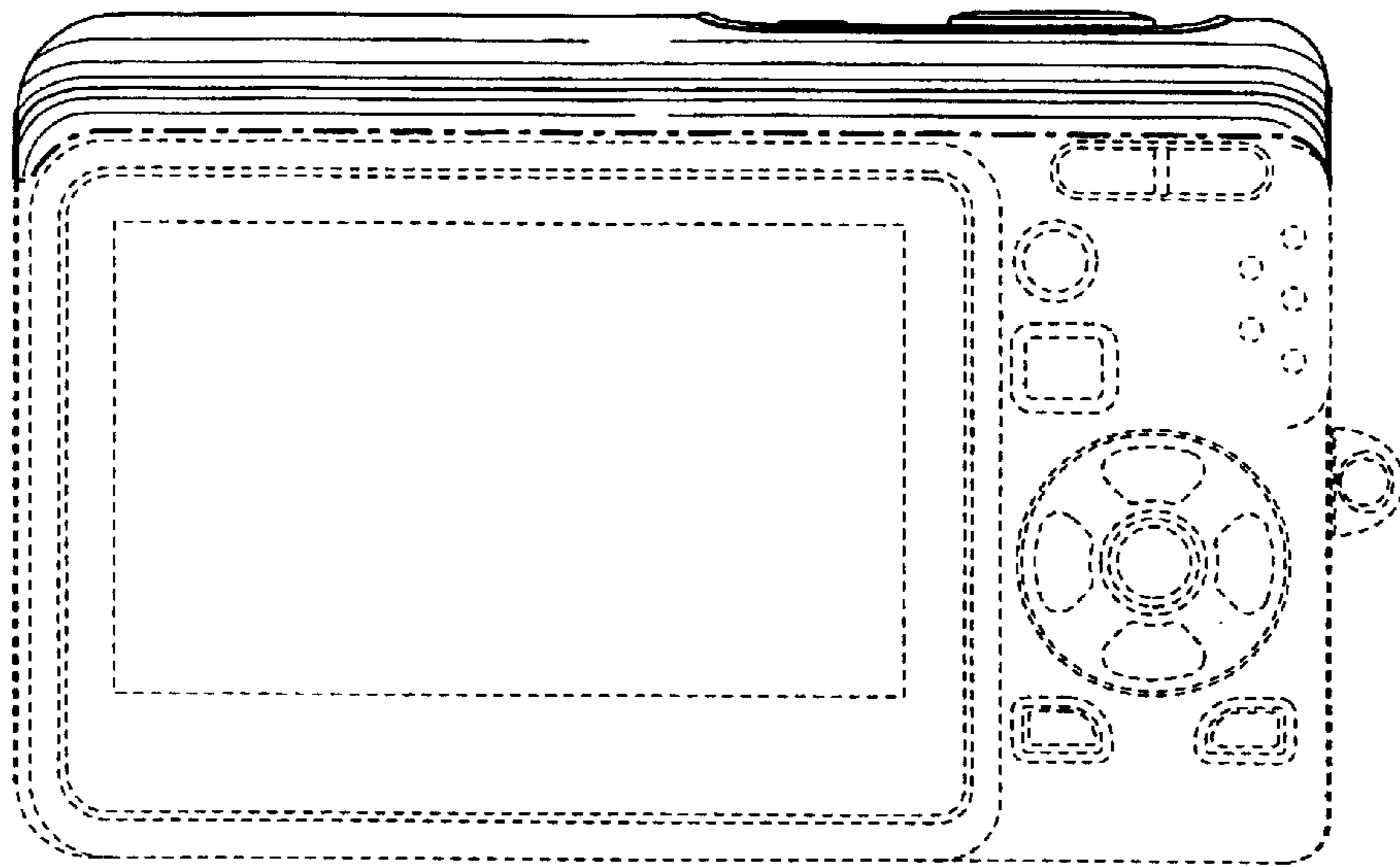


FIG. 6

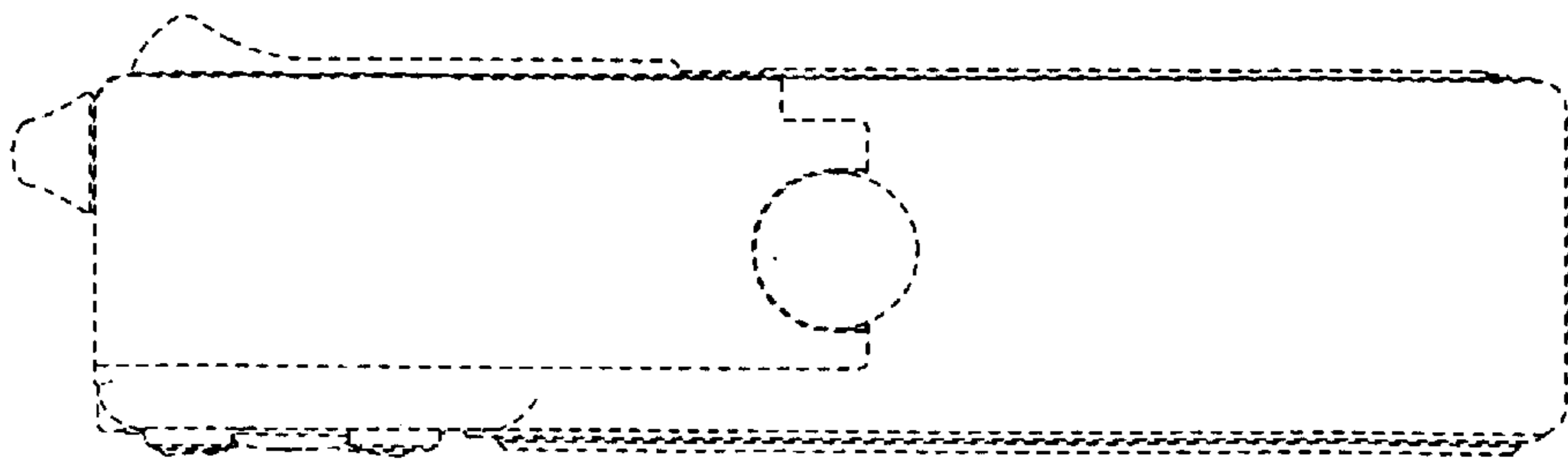


FIG. 7