



US00D543223S

(12) **United States Design Patent**
Uchiyama et al.

(10) **Patent No.:** **US D543,223 S**

(45) **Date of Patent:** **** May 22, 2007**

(54) **VIDEO CAMERA**

D412,515 S 8/1999 Oka
D486,845 S 2/2004 Oka

(75) Inventors: **Jun Uchiyama**, Tokyo (JP); **Tooru Kirihara**, Tokyo (JP)

OTHER PUBLICATIONS

(73) Assignee: **Sony Corporation**, Tokyo (JP)

Web page "HDC950" <http://bssc.sel.sony.com/BroadcastBusiness/ProductPrint?id=56962>, 2 sheets, Sony (Aug. 2005).

(**) Term: **14 Years**

* cited by examiner

(21) Appl. No.: **29/240,960**

Primary Examiner—Adir Aronovich

(22) Filed: **Oct. 21, 2005**

(74) *Attorney, Agent, or Firm*—Rader, Fishman & Grauer PLLC

(51) **LOC (8) Cl.** **16-01**

(52) **U.S. Cl.** **D16/202**

(58) **Field of Classification Search** D16/200–206,
D16/208, 218; 348/373–376; 358/906; 396/535–541
See application file for complete search history.

(57) **CLAIM**

The ornamental design for a video camera, as shown.

(56) **References Cited**

DESCRIPTION

U.S. PATENT DOCUMENTS

4,764,817	A	*	8/1988	Blazek et al.	358/906
D298,134	S	*	10/1988	Mori	D16/202
D313,608	S	*	1/1991	Ooi et al.	D16/202
D314,782	S	*	2/1991	Hong	D16/202
D316,554	S	*	4/1991	Ooi et al.	D16/202
D317,457	S	*	6/1991	Ooi et al.	D16/202
D332,794	S	*	1/1993	Takita et al.	D16/202

FIG. 1 is a perspective view of a video camera showing our new design;

FIG. 2 is a front elevational view thereof;

FIG. 3 is a rear elevational view thereof;

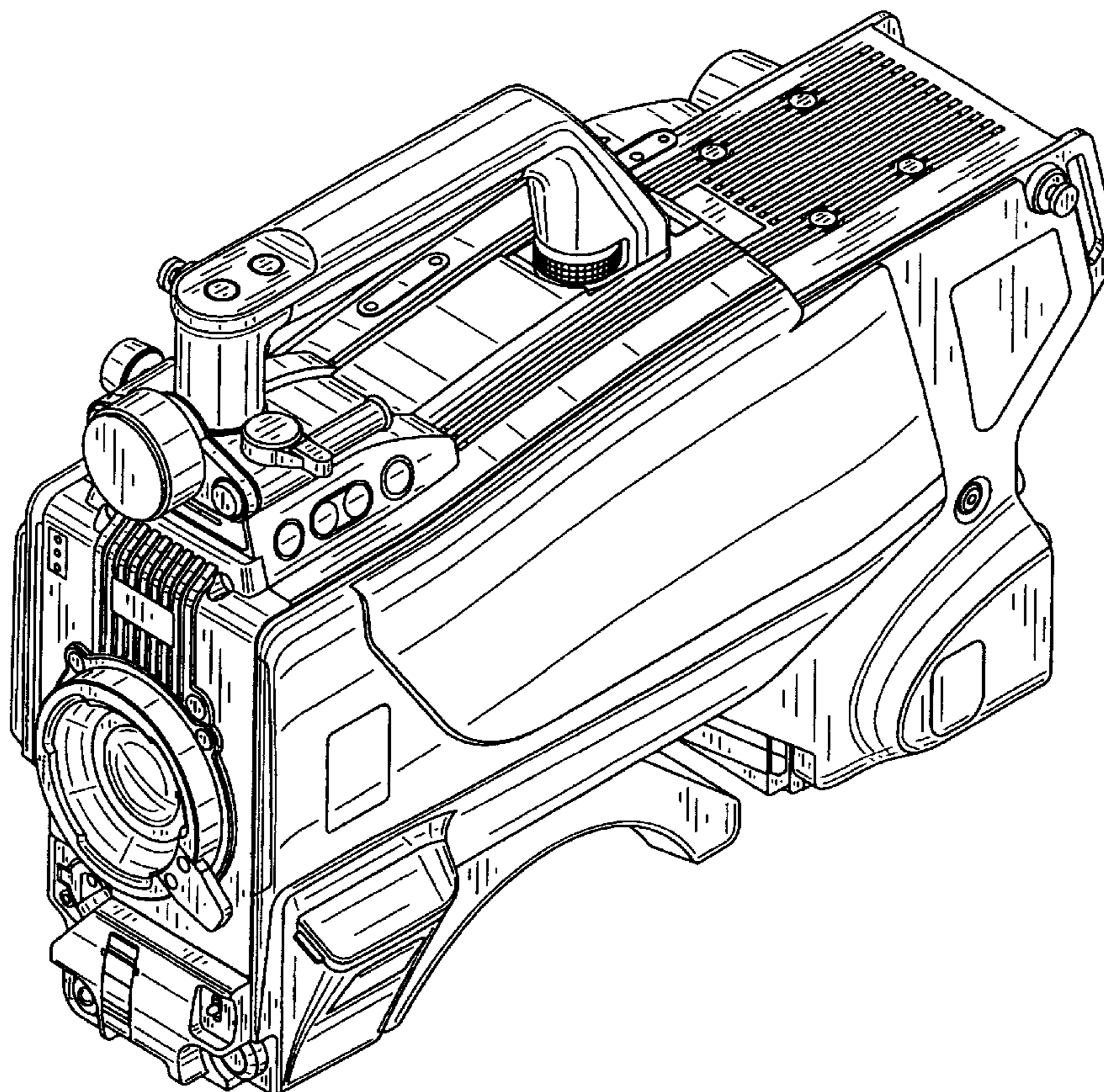
FIG. 4 is a left side elevational view thereof;

FIG. 5 is a right side elevational view thereof;

FIG. 6 is a top plan view thereof; and,

FIG. 7 is a bottom plan view thereof.

1 Claim, 7 Drawing Sheets



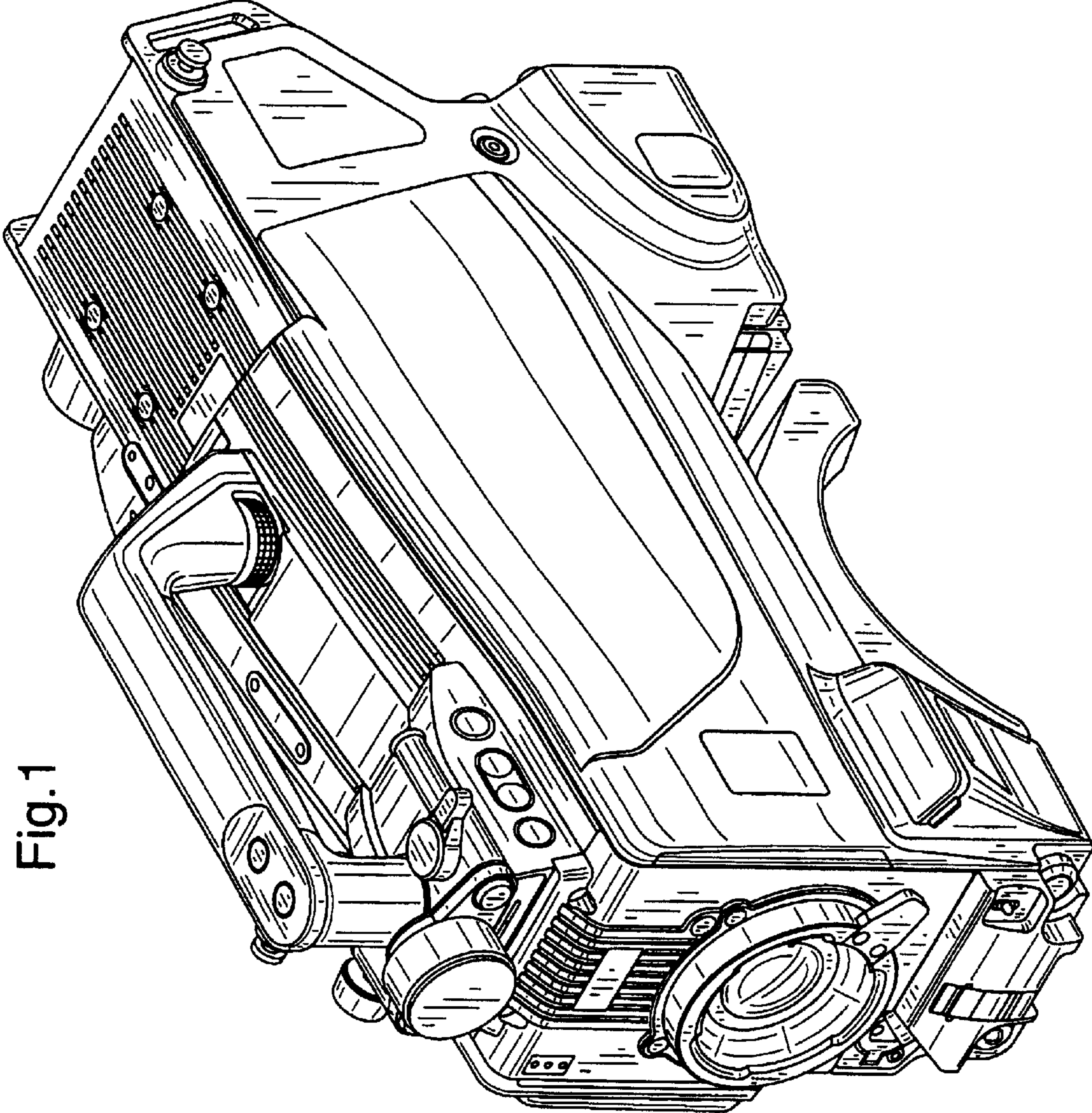


Fig.1

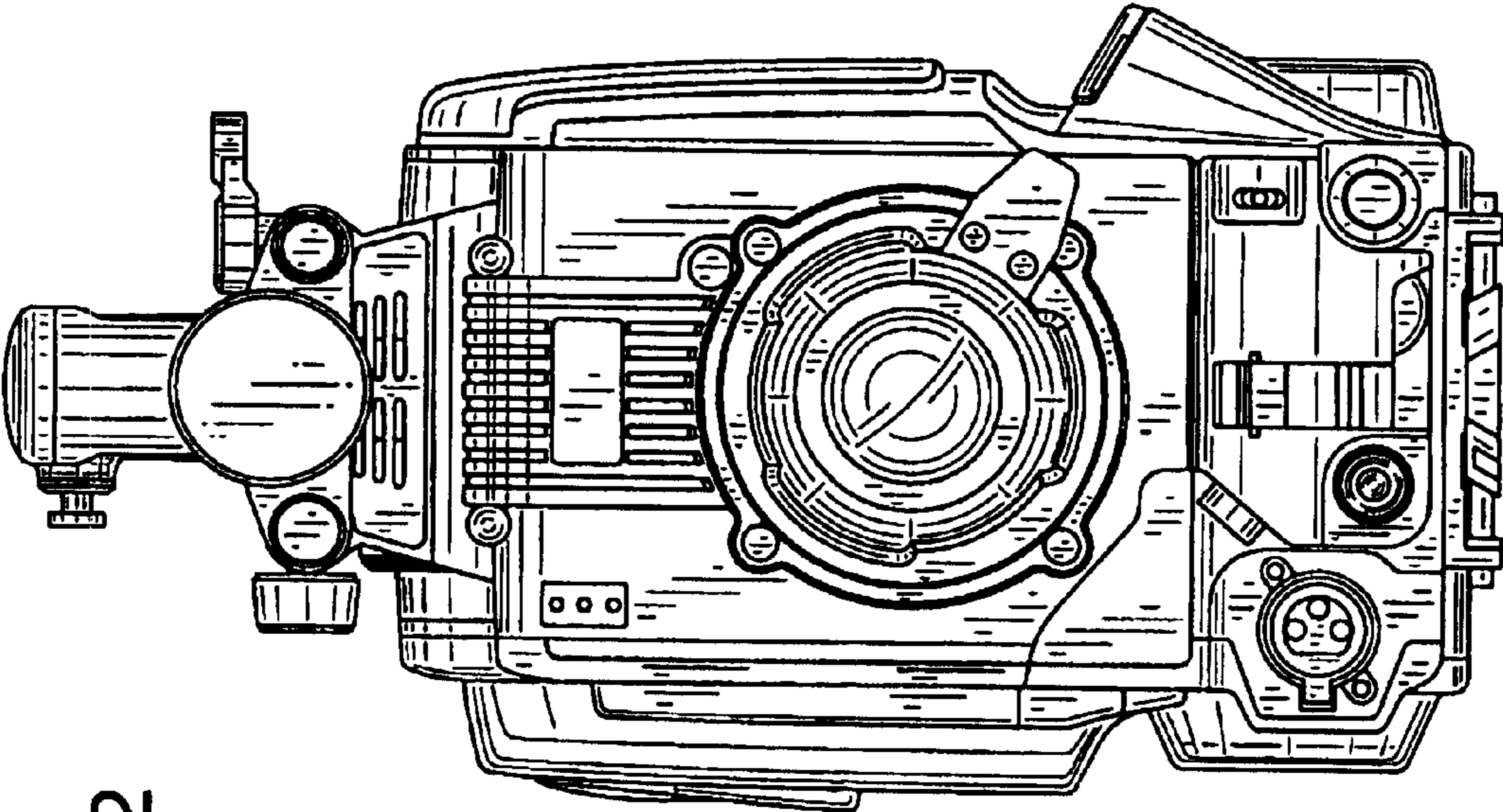


Fig.2

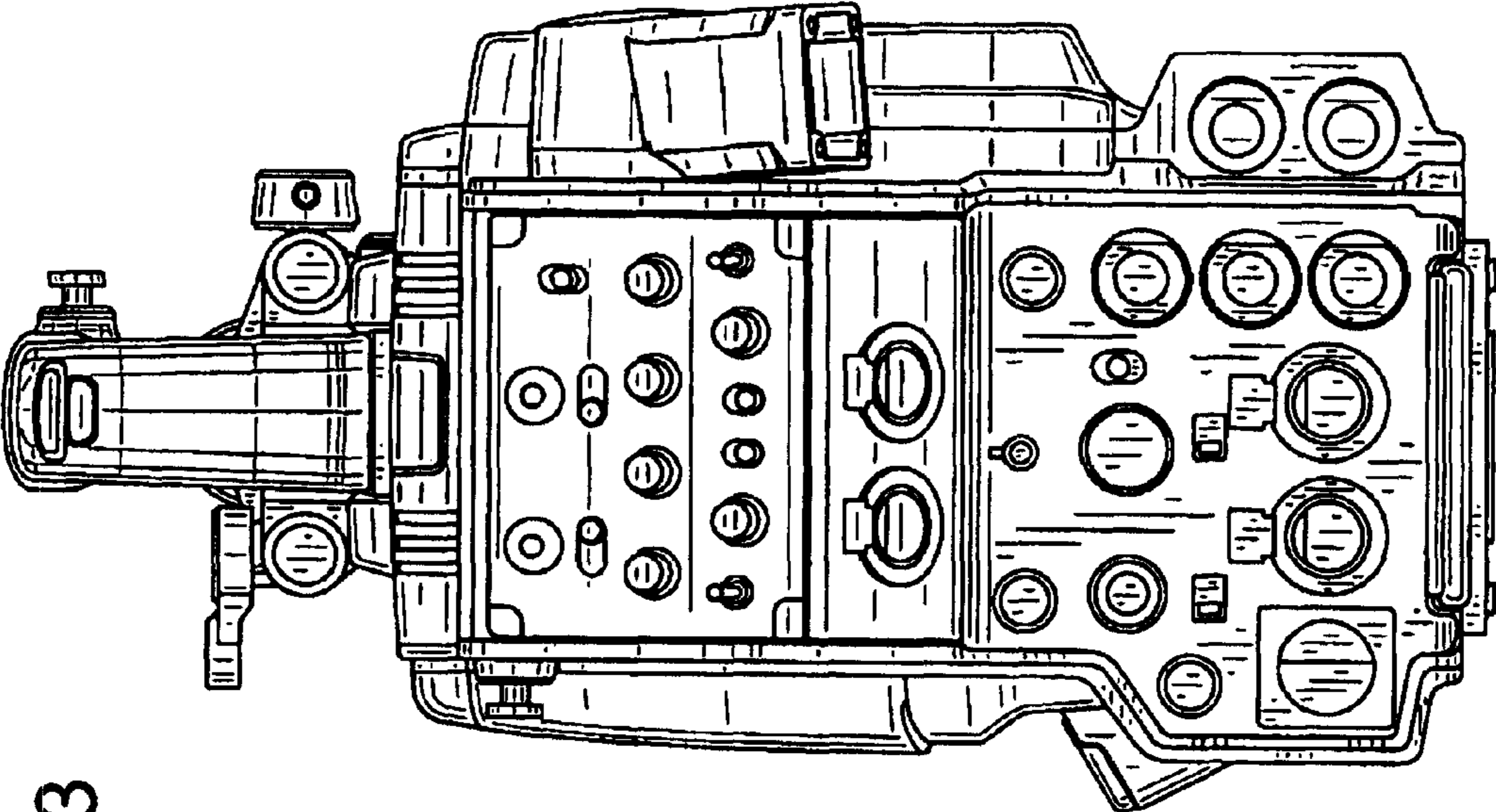


Fig.3

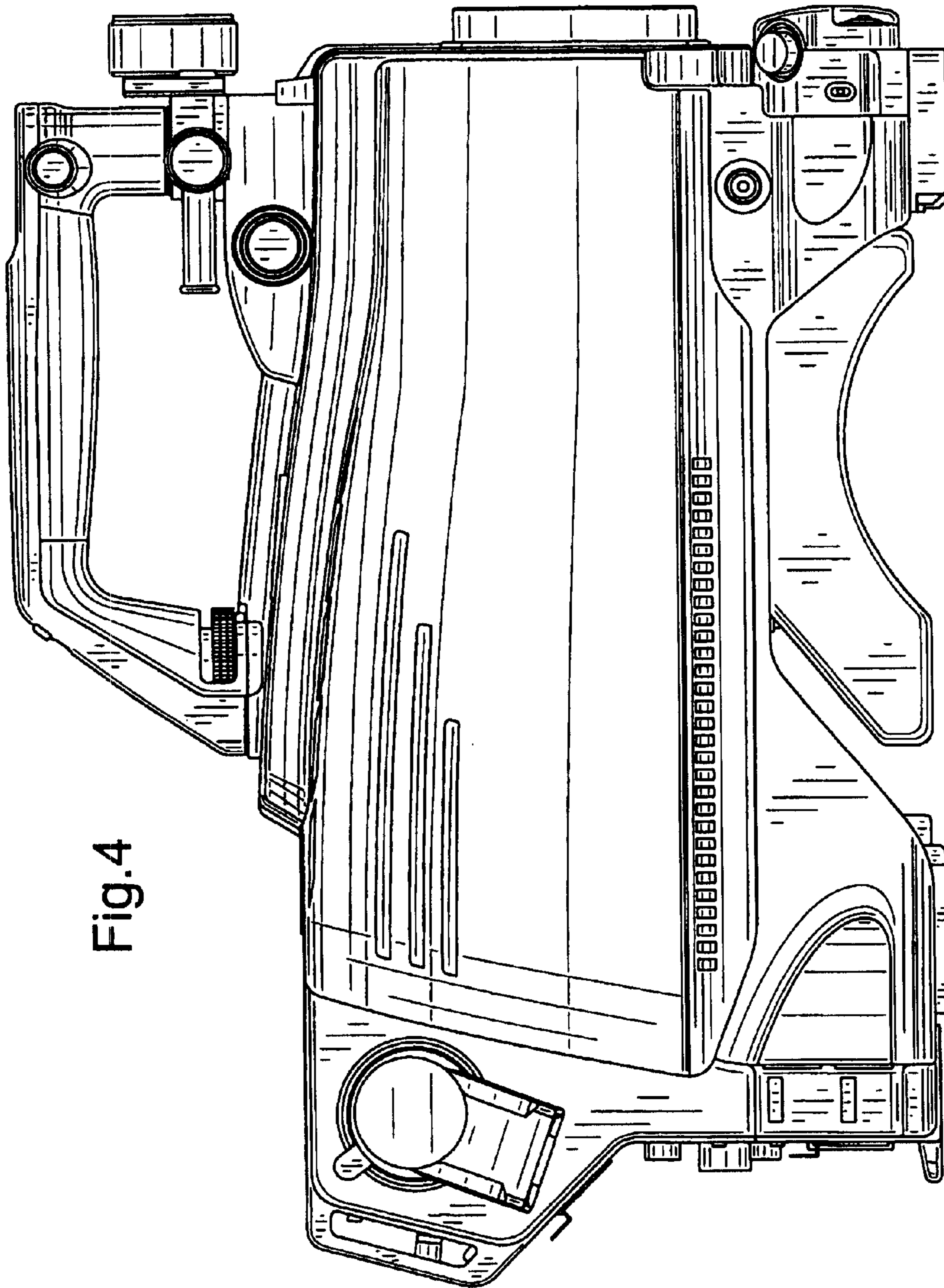


Fig.4

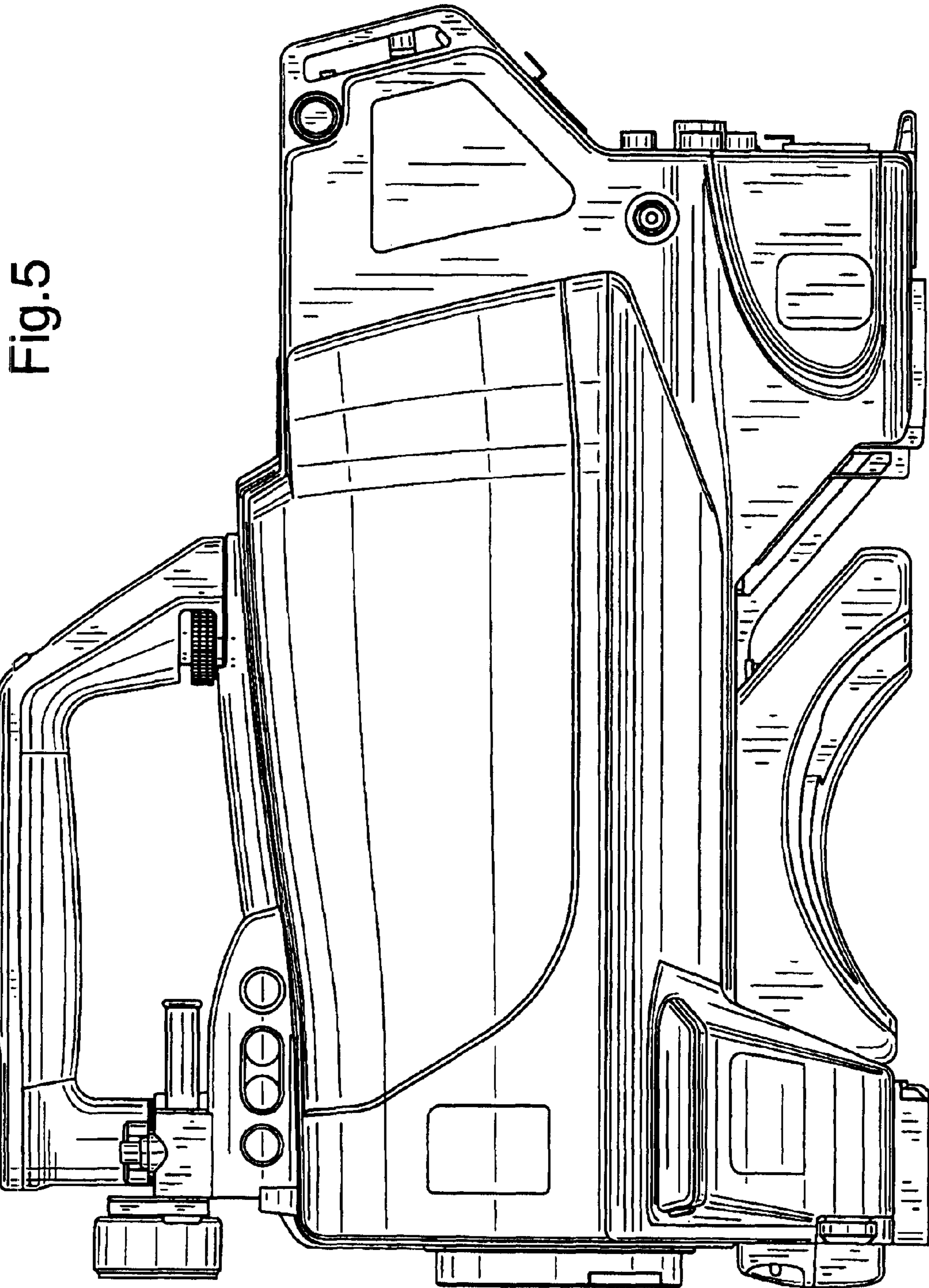


Fig. 5

Fig.6

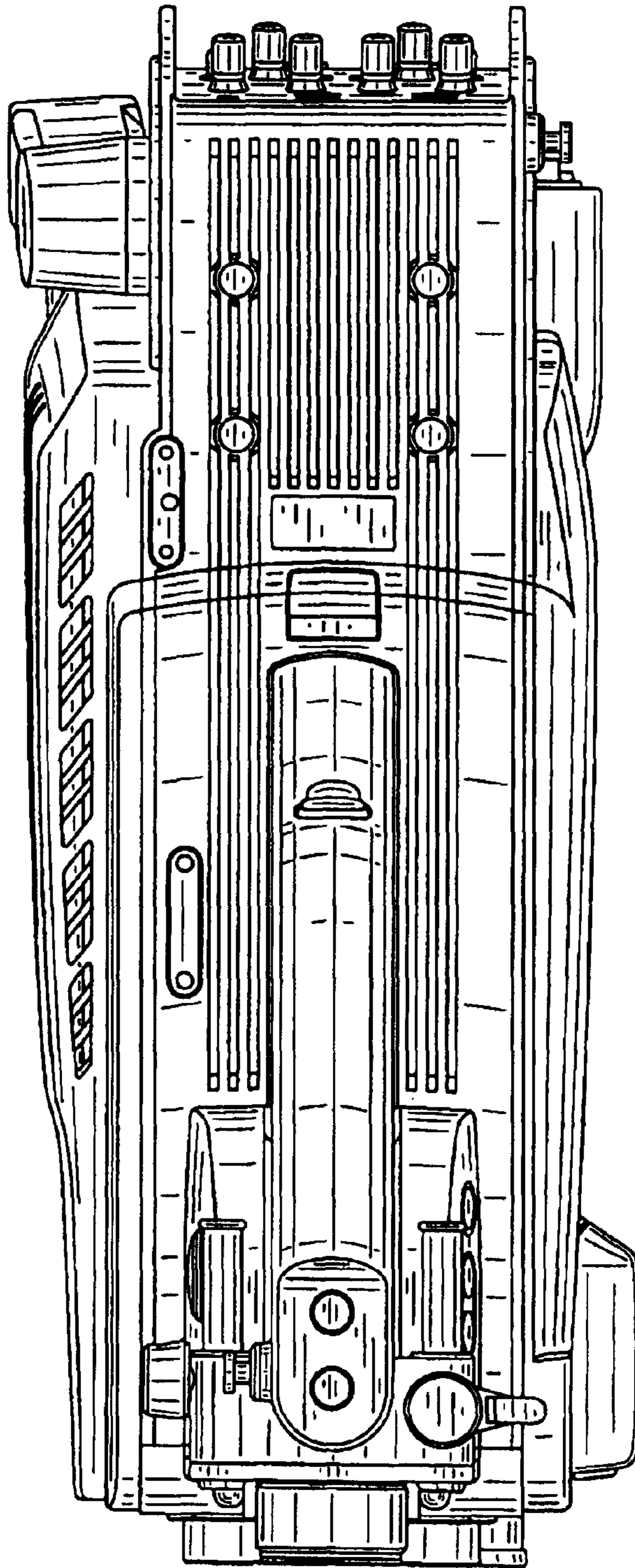


Fig.7

