



US00D543222S

(12) **United States Design Patent**
Pester et al.

(10) **Patent No.:** **US D543,222 S**

(45) **Date of Patent:** **** May 22, 2007**

(54) **HOUSING FOR PACKAGING MACHINERY**

(75) Inventors: **Thomas Pester**, Memmingerberg (DE);
Hans Haug, Bad Groenenbach (DE)

(73) Assignee: **Emil Pester GmbH** (DE)

(**) Term: **14 Years**

(21) Appl. No.: **29/233,546**

(22) Filed: **Jul. 6, 2005**

(51) **LOC (8) Cl.** **15-09**

(52) **U.S. Cl.** **D15/145**

(58) **Field of Classification Search** D15/145,
D15/146, 199; 53/167, 202, 279, 284.5, 370.7,
53/370.9, 381.1, 426, 563, 565
See application file for complete search history.

(56) **References Cited**

U.S. PATENT DOCUMENTS

D126,083	S	*	3/1941	Rosengren	D15/145
3,221,472	A	*	12/1965	Groth et al.	493/73
D301,890	S	*	6/1989	Silbersky	D15/145
4,899,520	A	*	2/1990	Lerner et al.	53/202
D349,505	S	*	8/1994	Hill et al.	D15/145
D372,487	S	*	8/1996	Brewer et al.	D15/145
D494,988	S	*	8/2004	Tanaka et al.	D15/199
2006/0021299	A1	*	2/2006	Jones	53/389.1

* cited by examiner

Primary Examiner—Antoine D. Davis

Assistant Examiner—Patricia Palasik

(74) *Attorney, Agent, or Firm*—Lackenbach Siegel LLP

(57) **CLAIM**

The ornamental design for a housing for packaging machinery, as shown and described.

DESCRIPTION

FIG. 1 is a front perspective view of the housing for packaging machinery;

FIG. 2 is a front elevation view of the housing for packaging machinery of FIG. 1;

FIG. 3 is a rear elevation view of the housing for packaging machinery of FIG. 1;

FIG. 4 is a right side elevational view of the housing for packaging machinery of FIG. 1;

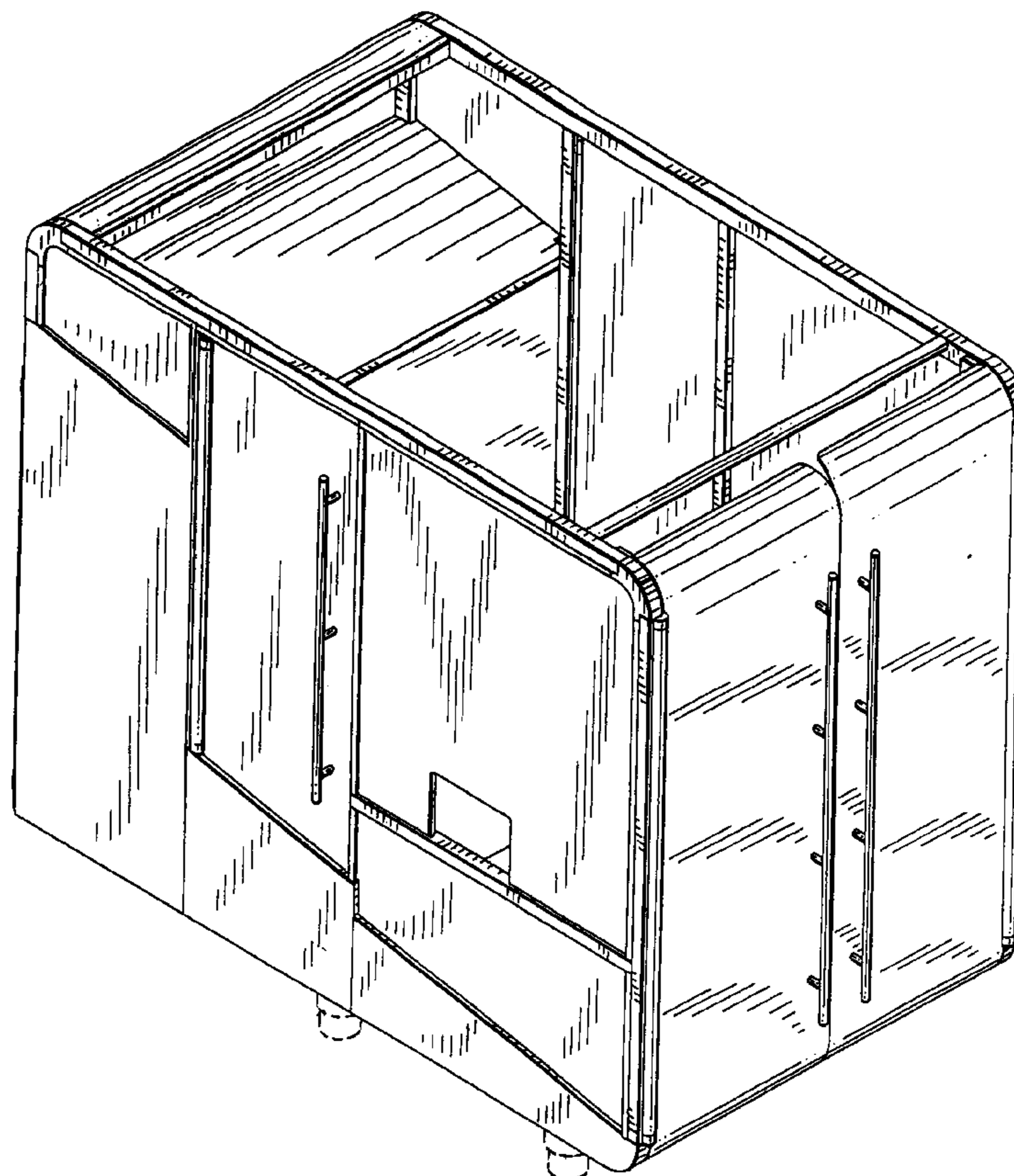
FIG. 5 is a left side elevational view of the housing for packaging machinery of FIG. 1;

FIG. 6 is a top plan view of housing for packaging machinery of FIG. 1; and,

FIG. 7 is a bottom plan view of the housing for packaging machinery of FIG. 1.

The broken line showing of the foot pads of the packaging machine is included for the purpose of illustrating portions of the packaging machine and forms no part of the claimed design.

1 Claim, 7 Drawing Sheets



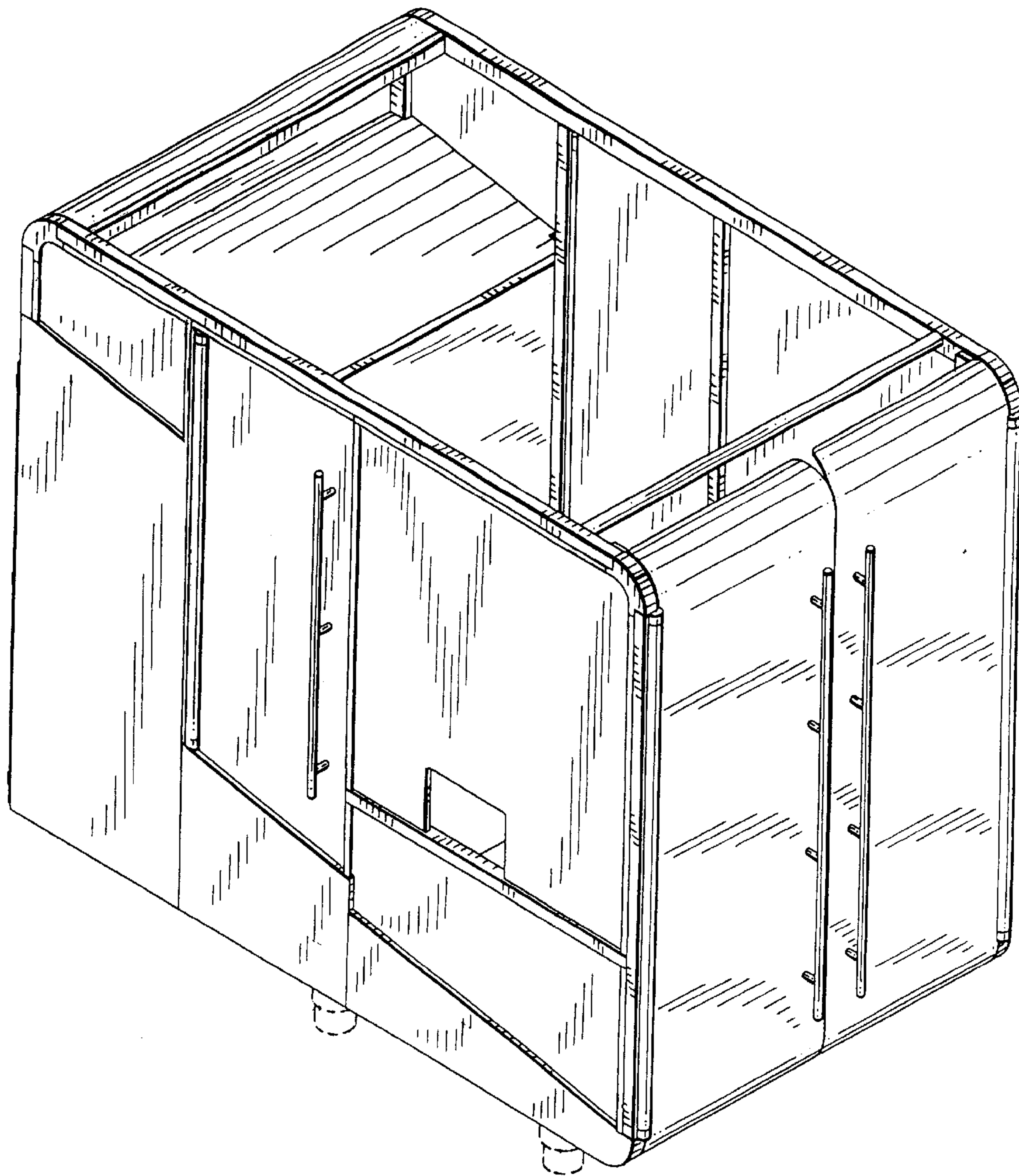


FIG. 1

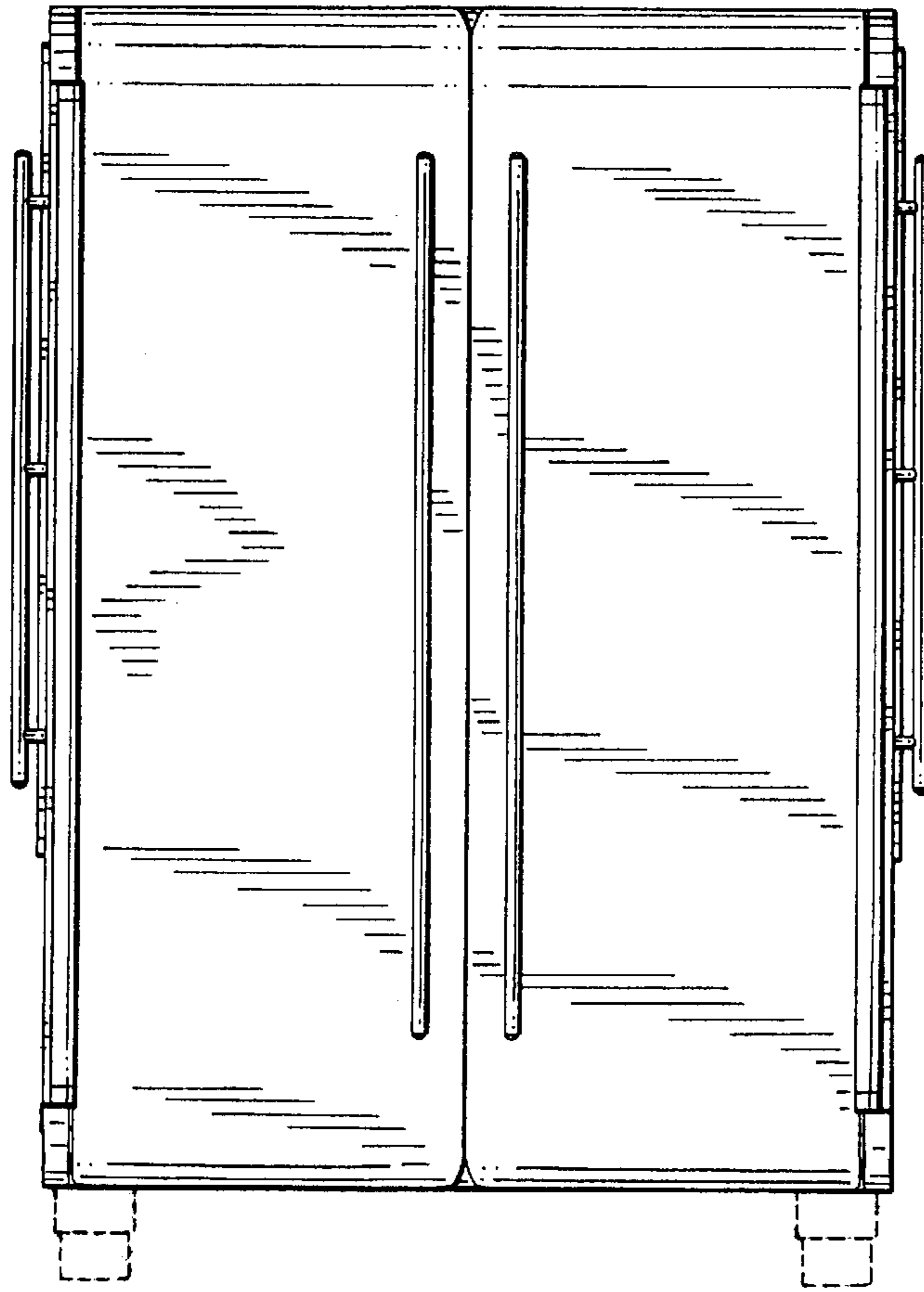


FIG.2

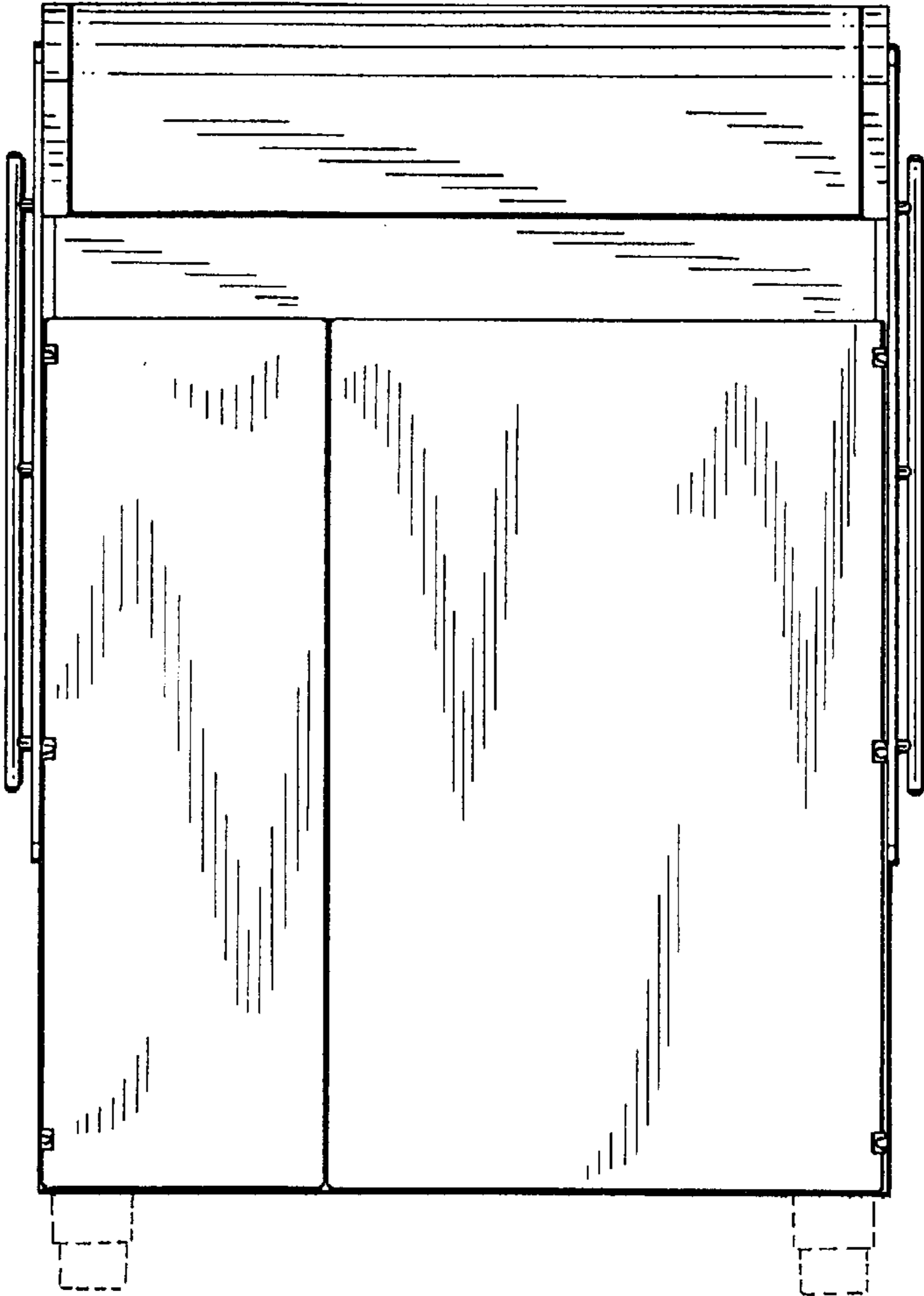


FIG.3

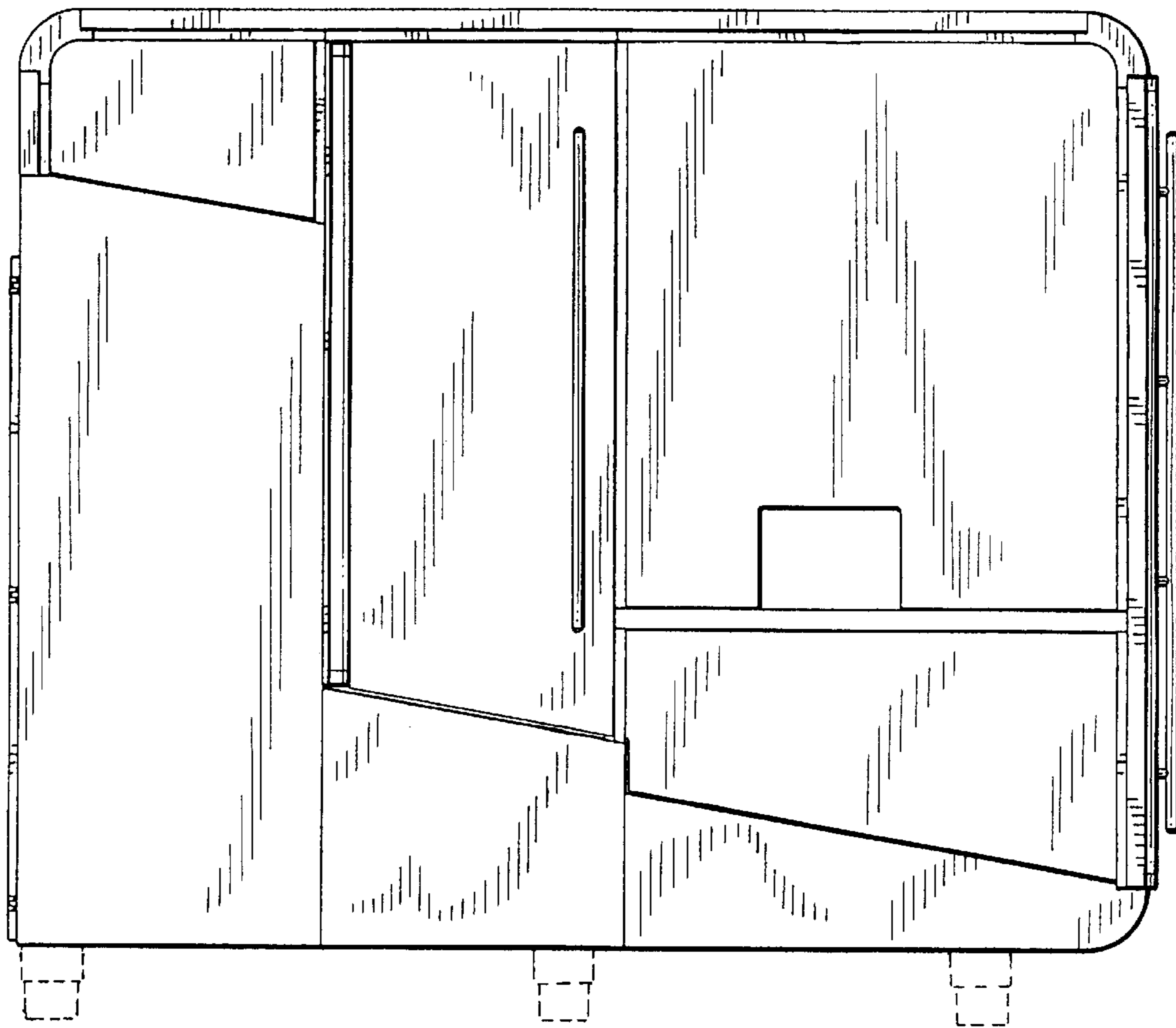


FIG.4

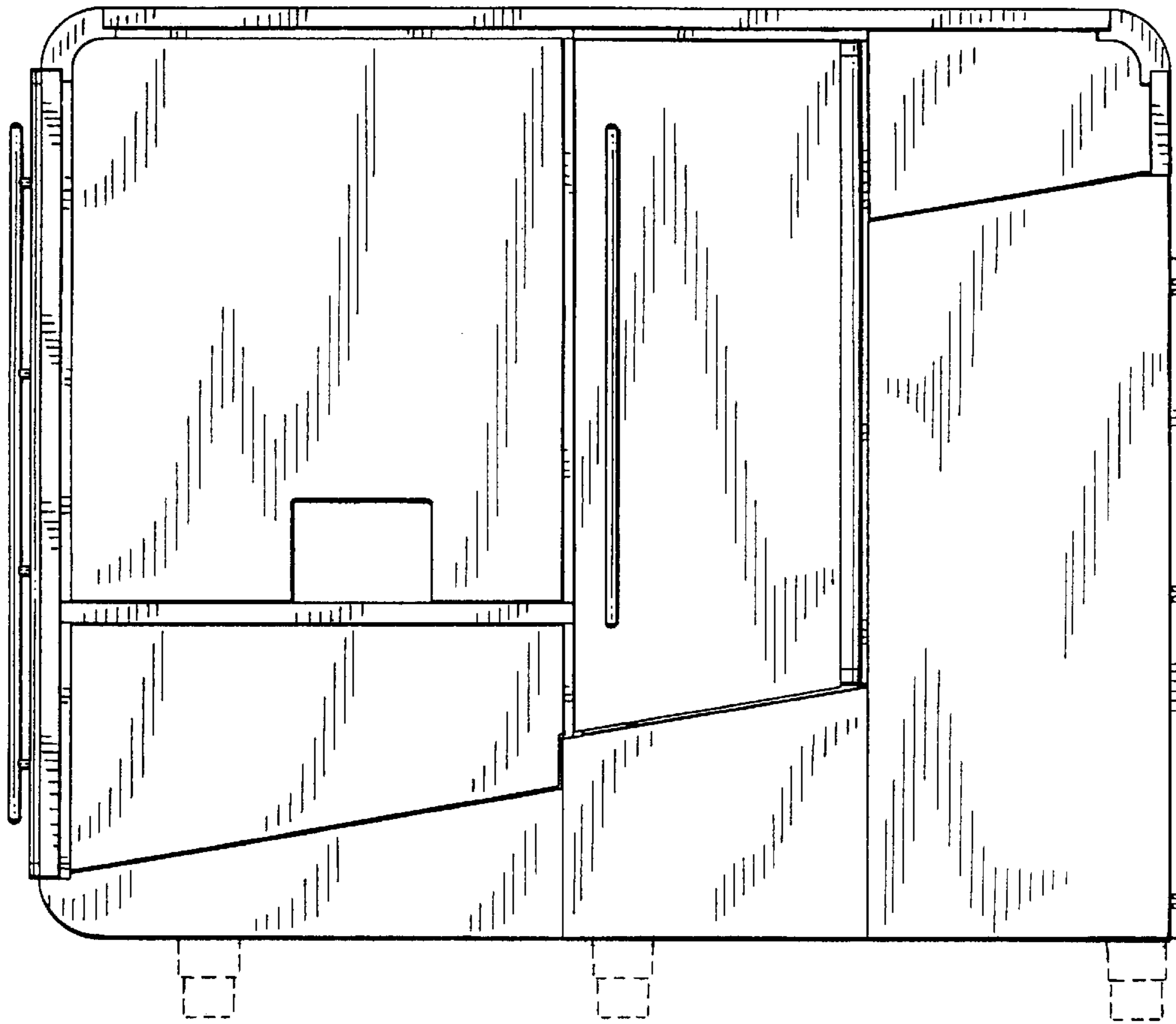


FIG.5

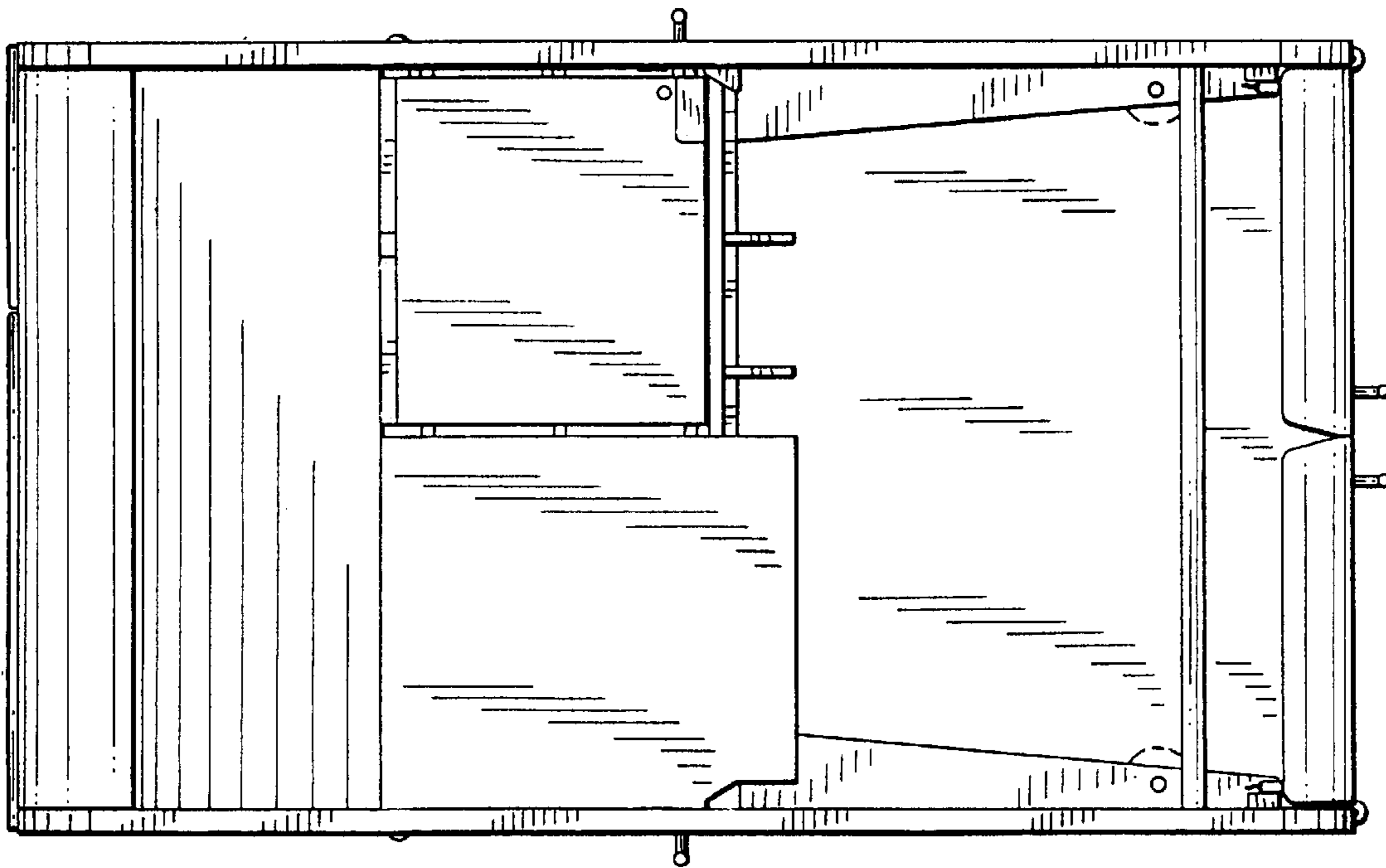


FIG.6

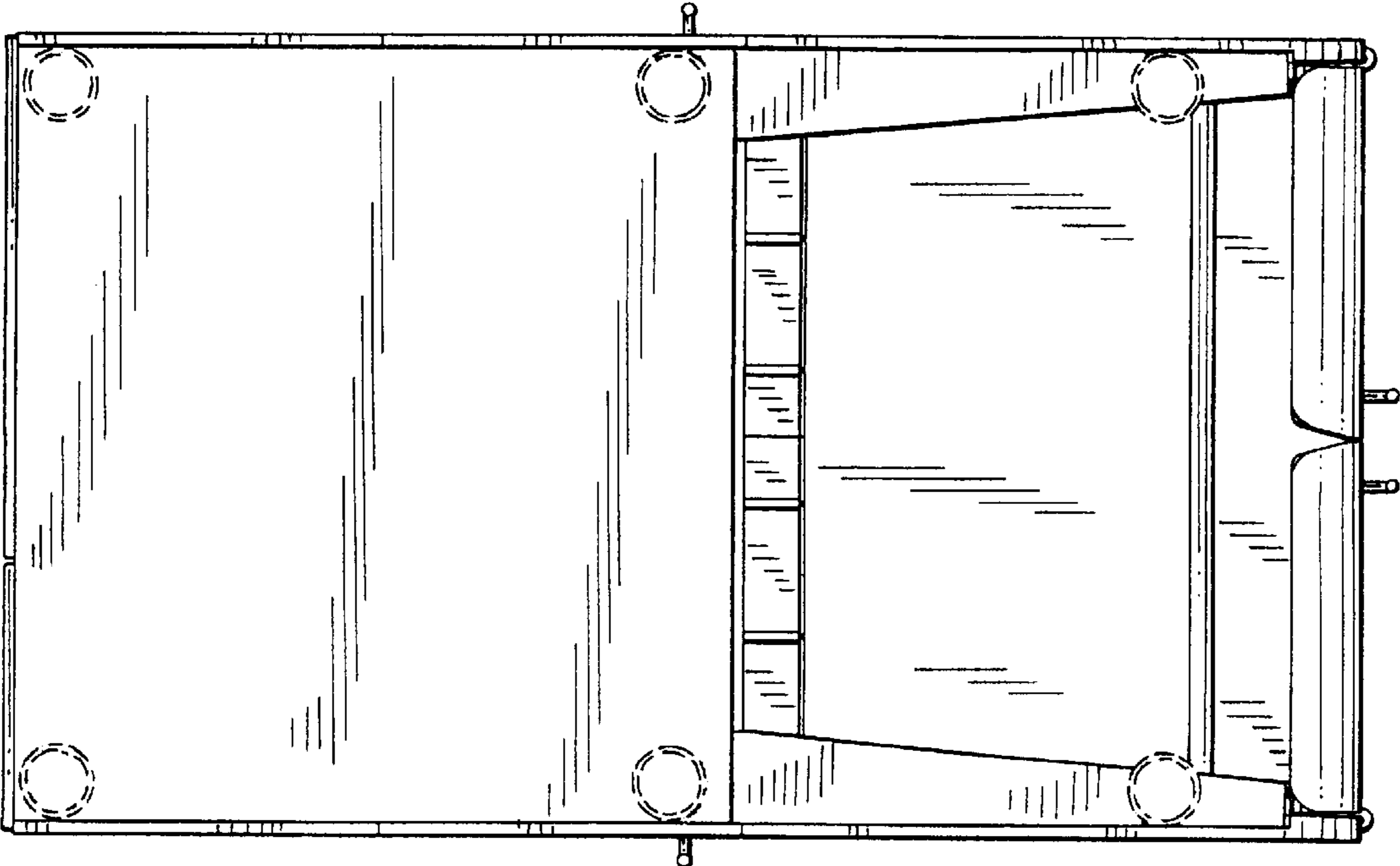


FIG.7