

US00D543221S

(12) **United States Design Patent**
Nagai et al.

(10) **Patent No.:** **US D543,221 S**
(45) **Date of Patent:** **** May 22, 2007**

(54) **ELECTRIC CYLINDER WITH GUIDE**

(75) Inventors: **Shigekazu Nagai**, Tsukubamirai (JP);
Akio Saitoh, Tsukubamirai (JP); **Toru Sugiyama**, Tsukubamirai (JP); **Ryuichi Masui**, Tsukubamirai (JP)

(73) Assignee: **SMC Corporation**, Chiyoda-ku, Tokyo (JP)

(**) Term: **14 Years**

(21) Appl. No.: **29/265,396**

(22) Filed: **Aug. 29, 2006**

(30) **Foreign Application Priority Data**

May 16, 2006 (JP) 2006-012396

(51) **LOC (8) Cl.** **15-09**

(52) **U.S. Cl.** **D15/143; D15/5**

(58) **Field of Classification Search** D15/5,
D15/143, 199; 91/275; 92/5 R, 88, 146, 161,
92/165 R; 277/DIG. 7; 310/20, 80; 335/229;
384/43, 49

See application file for complete search history.

(56) **References Cited**

U.S. PATENT DOCUMENTS

5,533,336 A * 7/1996 Kiat et al. 60/533

D409,625 S * 5/1999 Yonezawa et al. D15/5
D438,215 S * 2/2001 Kaneko D15/7
D480,405 S * 10/2003 Kleffmann et al. D15/143
6,848,327 B2 * 2/2005 Nagai et al. 74/89.33
D529,938 S * 10/2006 Noda et al. D15/143
2005/0081660 A1 * 4/2005 Migliori 74/25

* cited by examiner

Primary Examiner—Antoine D. Davis

Assistant Examiner—Patricia Palasik

(74) *Attorney, Agent, or Firm*—Peter Ganjian

(57) **CLAIM**

The ornamental design for an electric cylinder with guide, as shown and described.

DESCRIPTION

FIG. 1 shows a front view of an electric cylinder with guide showing my new design;

FIG. 2 shows a rear view thereof;

FIG. 3 shows a top bottom view thereof;

FIG. 4 shows a bottom view thereof;

FIG. 5 shows a right side view thereof;

FIG. 6 shows a left side view thereof; and,

FIG. 7 shows a perspective view thereof.

1 Claim, 3 Drawing Sheets

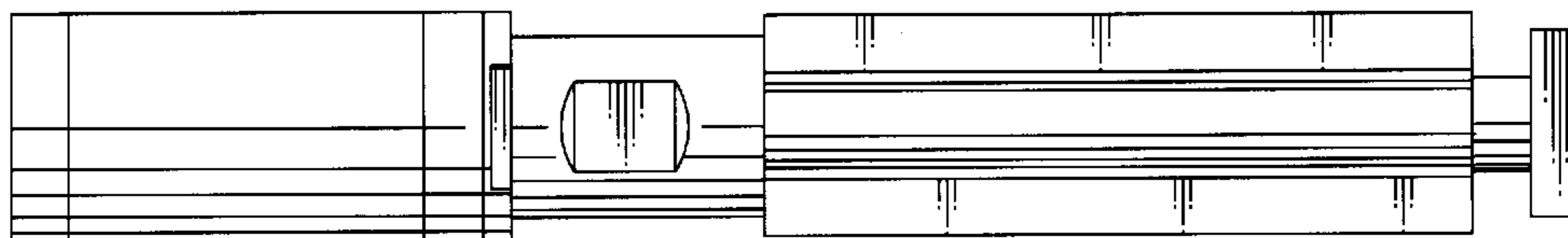


FIG. 1

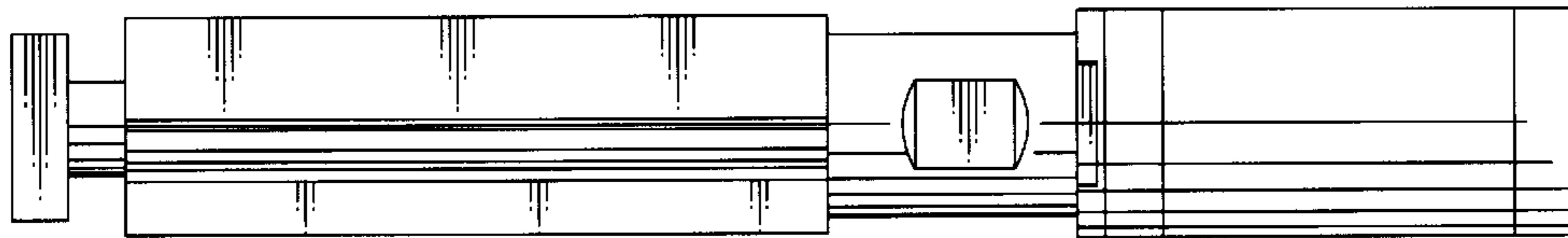


FIG. 2

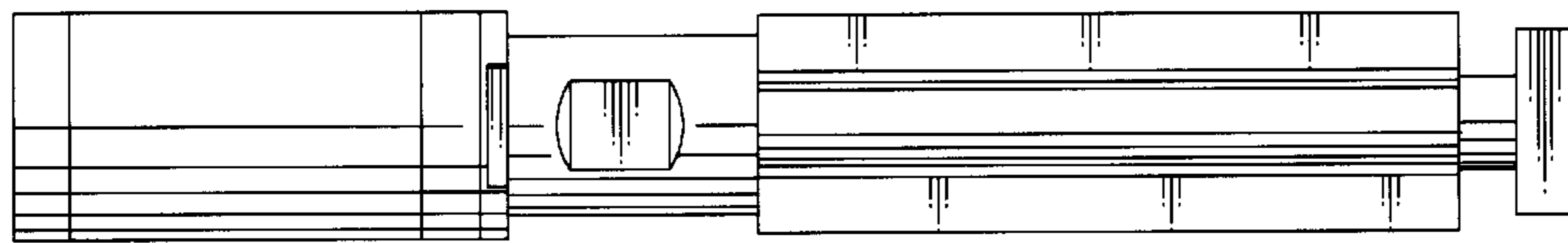


FIG. 3

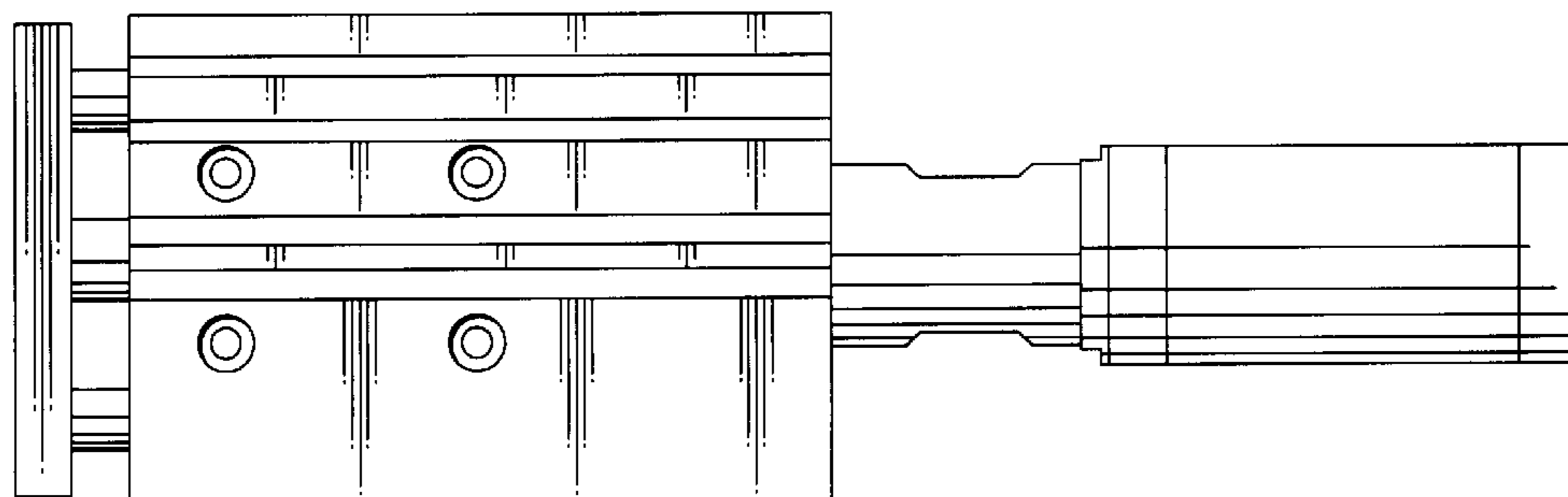


FIG. 4

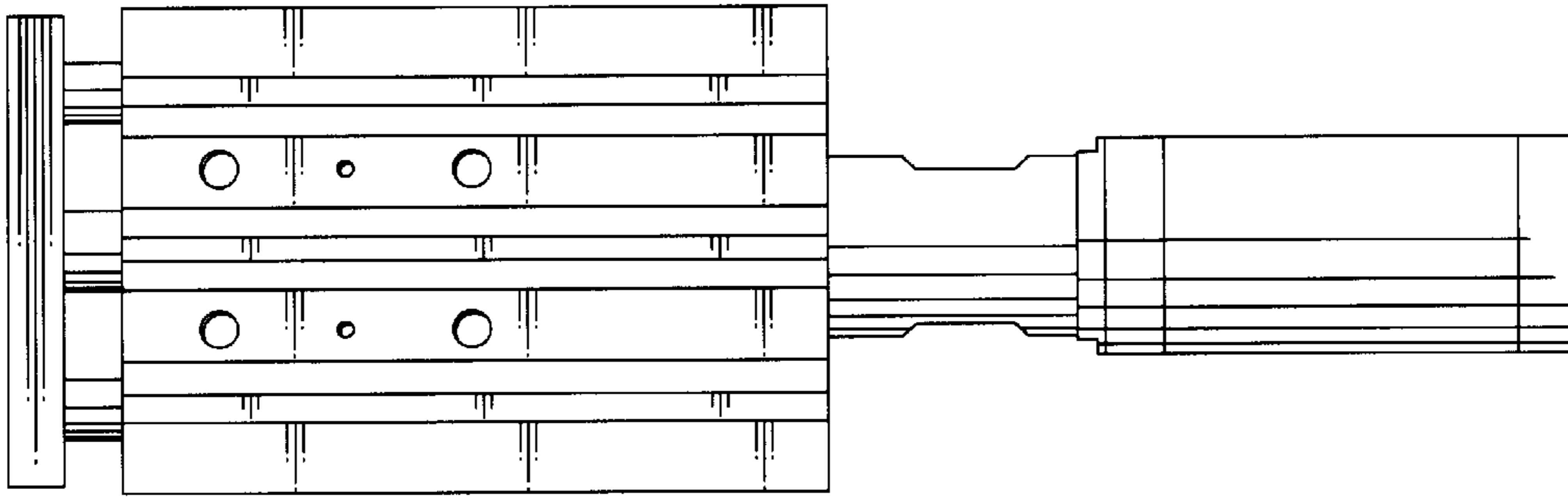


FIG. 5

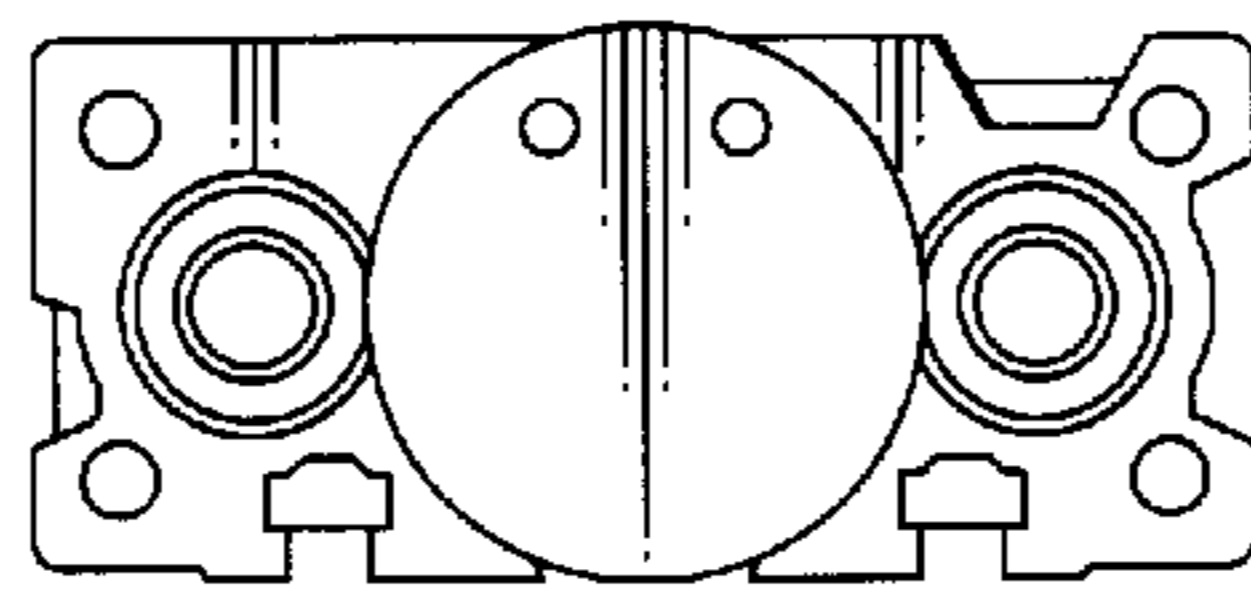


FIG. 6

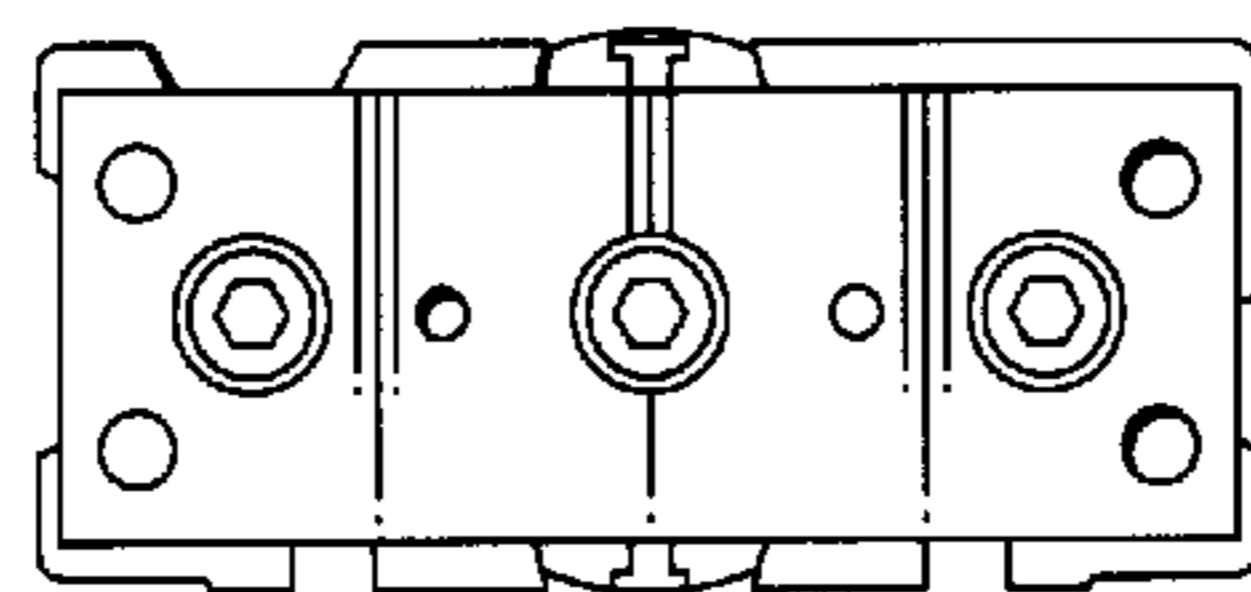


FIG. 7

