

US00D543218S

(12) **United States Design Patent**
Yoshida

(10) **Patent No.:** **US D543,218 S**

(45) **Date of Patent:** **** May 22, 2007**

(54) **CRAWLER**

(75) **Inventor:** **Tomohisa Yoshida, Kishiwada (JP)**

(73) **Assignee:** **Sumitomo Rubber Industries, Ltd., Hyogo (JP)**

(**) **Term:** **14 Years**

(21) **Appl. No.:** **29/258,746**

(22) **Filed:** **Apr. 27, 2006**

(30) **Foreign Application Priority Data**

Nov. 24, 2005 (JP) 2005-034545

(51) **LOC (8) Cl.** **15-03**

(52) **U.S. Cl.** **D15/28**

(58) **Field of Classification Search** D15/28,
D15/24; 180/89.12, 9.1, 900; 152/209.12,
152/171-173, 165, 178; 305/40, 53, 160,
305/167, 169, 177, 185, 193, 200, 202
See application file for complete search history.

(56) **References Cited**

U.S. PATENT DOCUMENTS

- 5,984,438 A * 11/1999 Tsunoda et al. 305/169
- 6,176,557 B1 * 1/2001 Ono 305/177
- 6,322,172 B2 * 11/2001 Lussier 305/160
- D451,523 S * 12/2001 Bonko et al. D15/28
- D454,890 S * 3/2002 Tsuru D15/28
- D455,444 S * 4/2002 Tsuru D15/28
- D471,566 S * 3/2003 Feldmann D15/28

- D472,905 S * 4/2003 Feldmann D15/28
- D474,205 S * 5/2003 Feldmann D15/28
- D484,515 S * 12/2003 Nishimura D15/28
- D496,051 S * 9/2004 Yoshida D15/28

FOREIGN PATENT DOCUMENTS

JP 1142242 5/2002

* cited by examiner

Primary Examiner—Stella Reid

Assistant Examiner—Mark Goodwin

(74) *Attorney, Agent, or Firm*—Birch, Stewart, Kolasch & Birch, LLP

(57) **CLAIM**

The ornamental design for a crawler, as shown.

DESCRIPTION

FIG. 1 is a front view of a crawler showing my new design;
 FIG. 2 is a rear view thereof;
 FIG. 3 is a top plan view thereof;
 FIG. 4 is a bottom plan view thereof;
 FIG. 5 is a right side view thereof;
 FIG. 6 is a left side view thereof;
 FIG. 7 is a cross sectional view taken along line 7—7 in FIG. 1 thereof;
 FIG. 8 is a cross sectional view taken along line 8—8 in FIG. 1 thereof;
 FIG. 9 is a front perspective view thereof; and,
 FIG. 10 is a rear perspective view thereof.

1 Claim, 5 Drawing Sheets

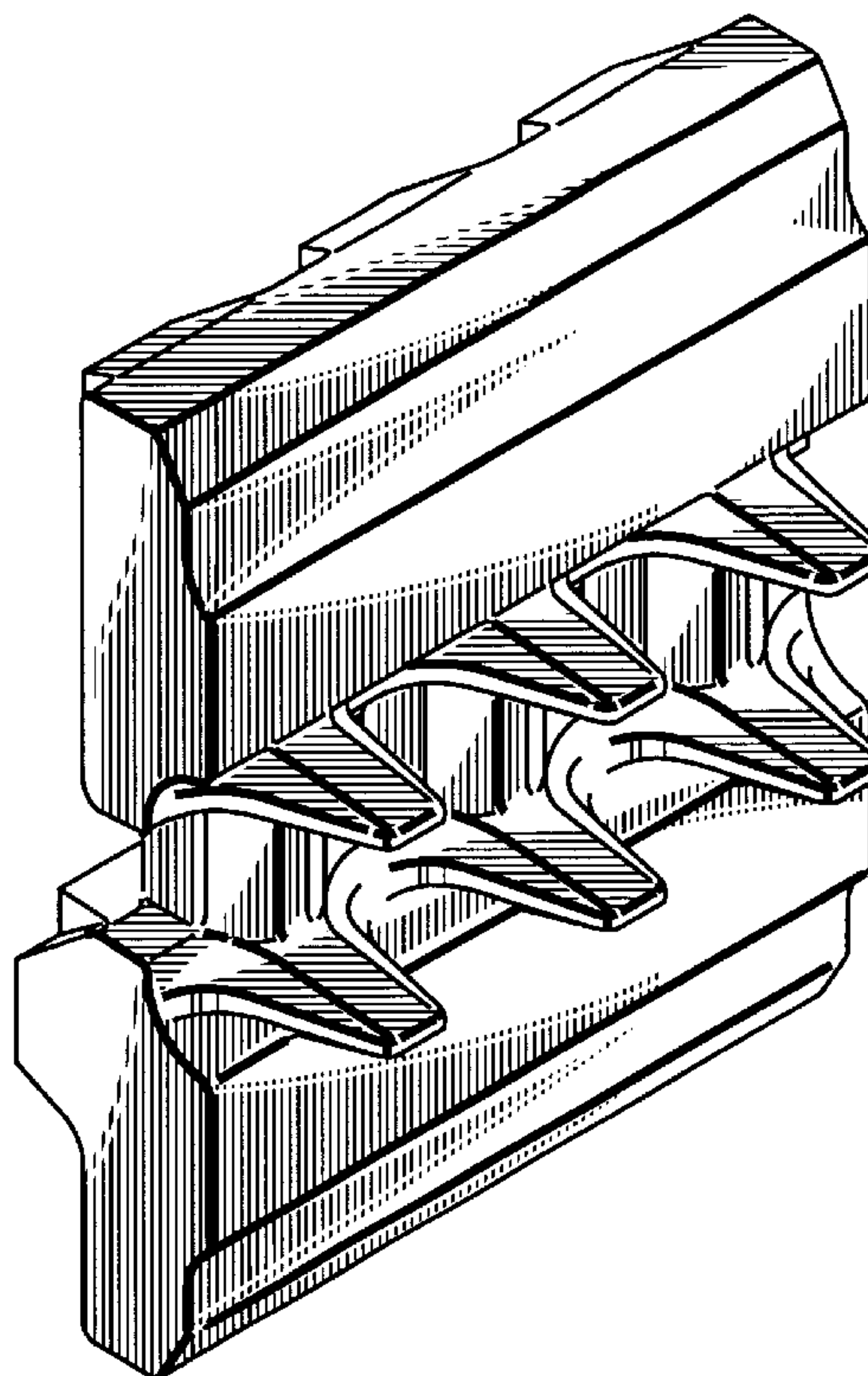
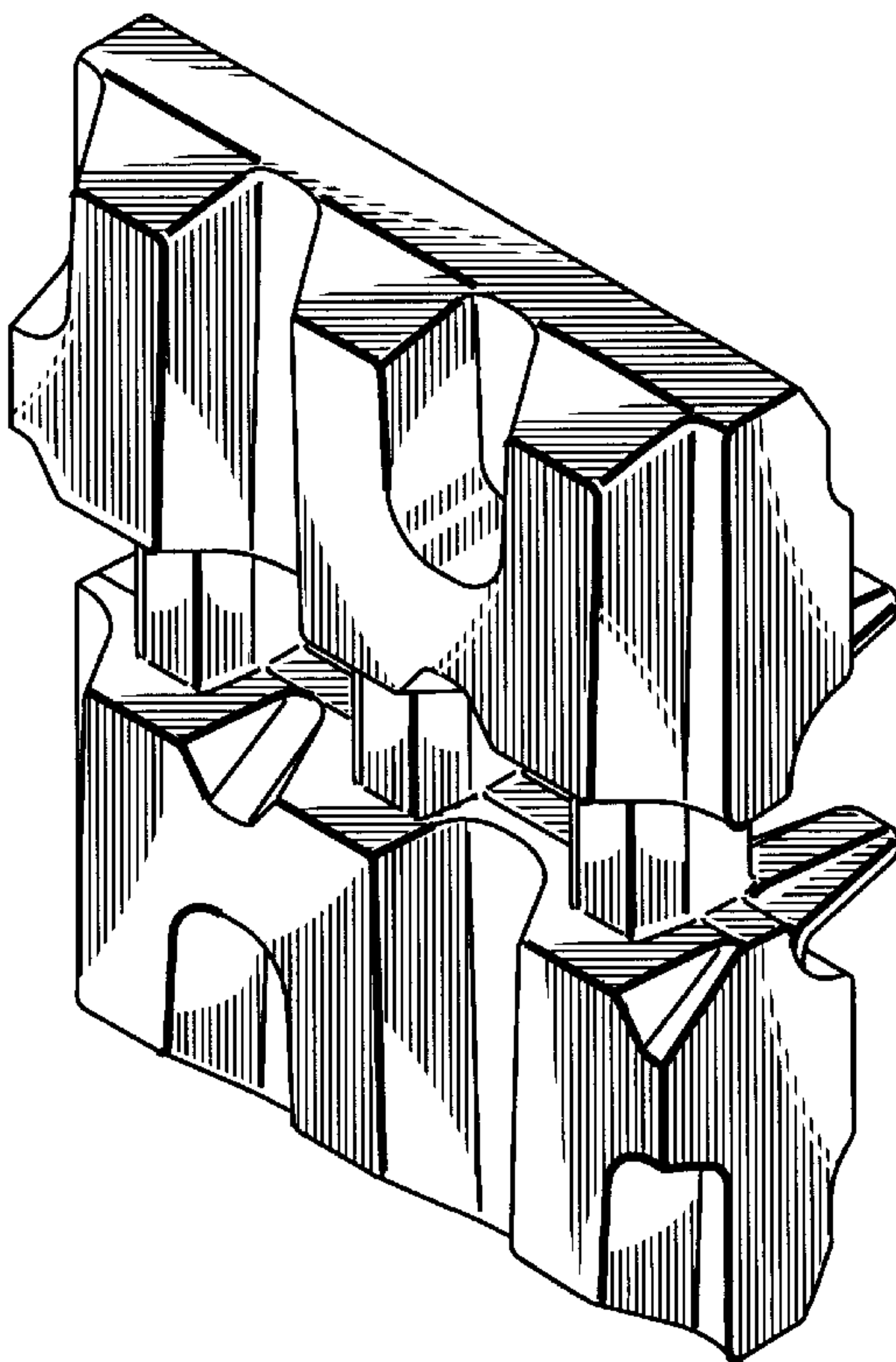


FIG.1

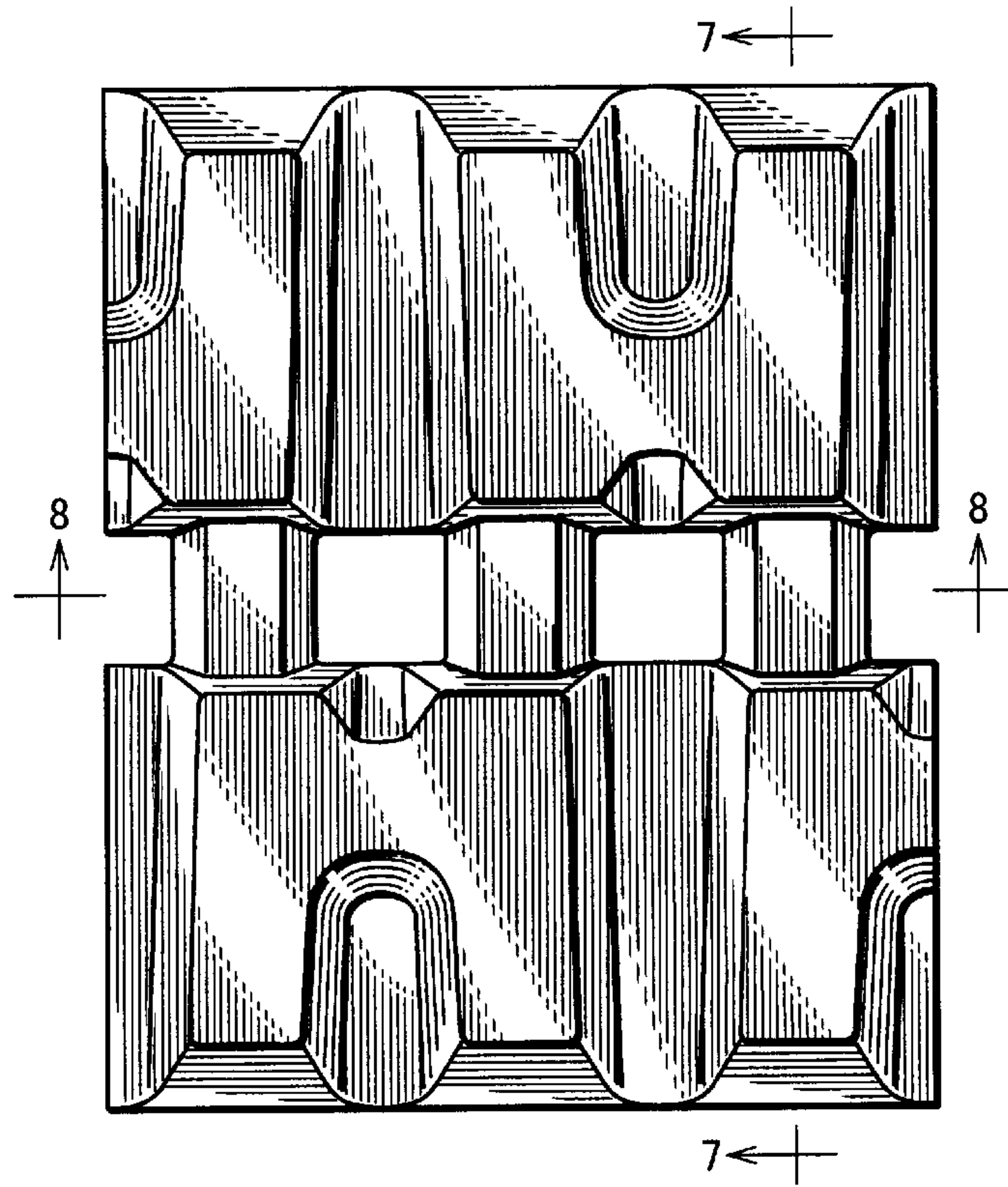


FIG.2

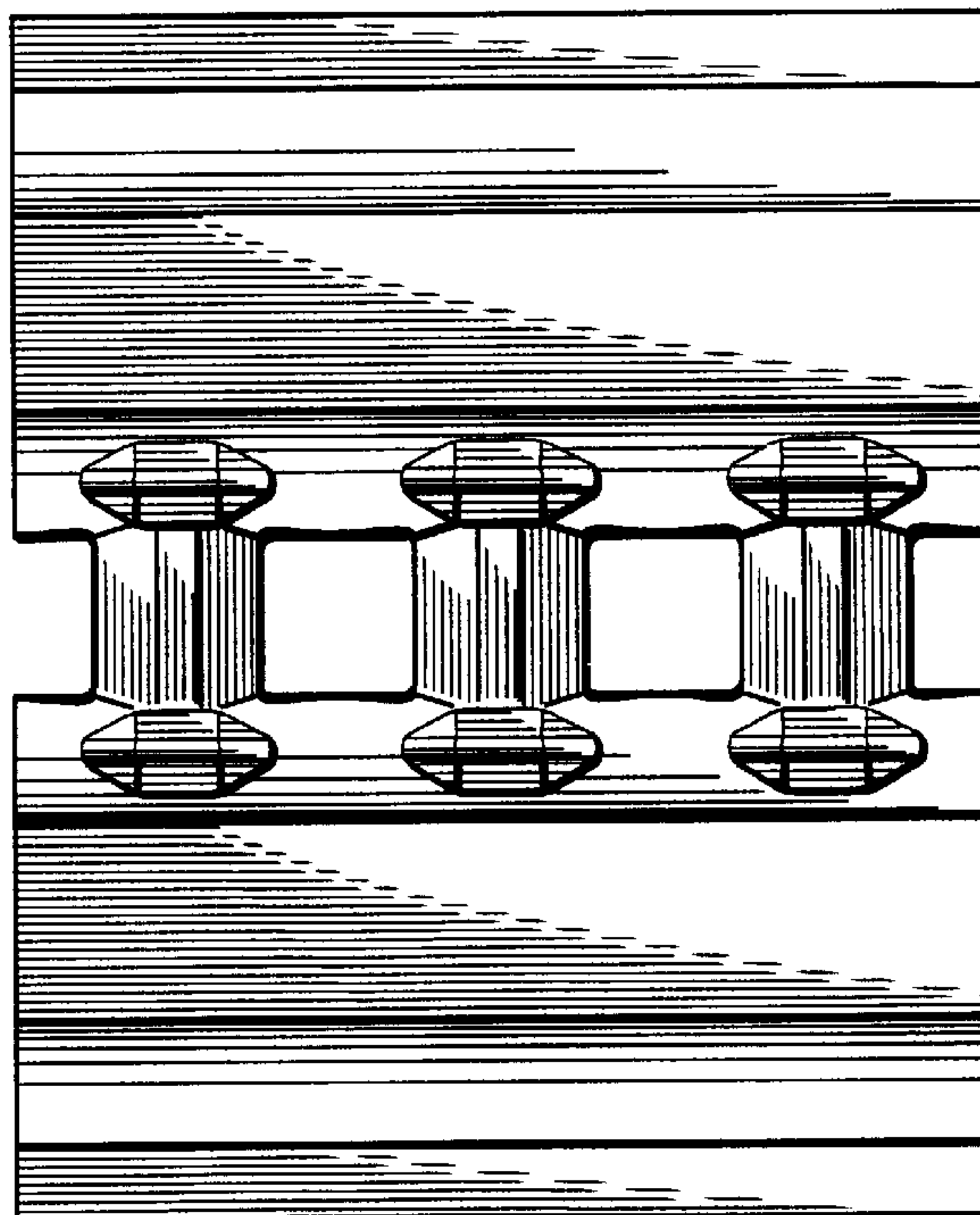


FIG.3

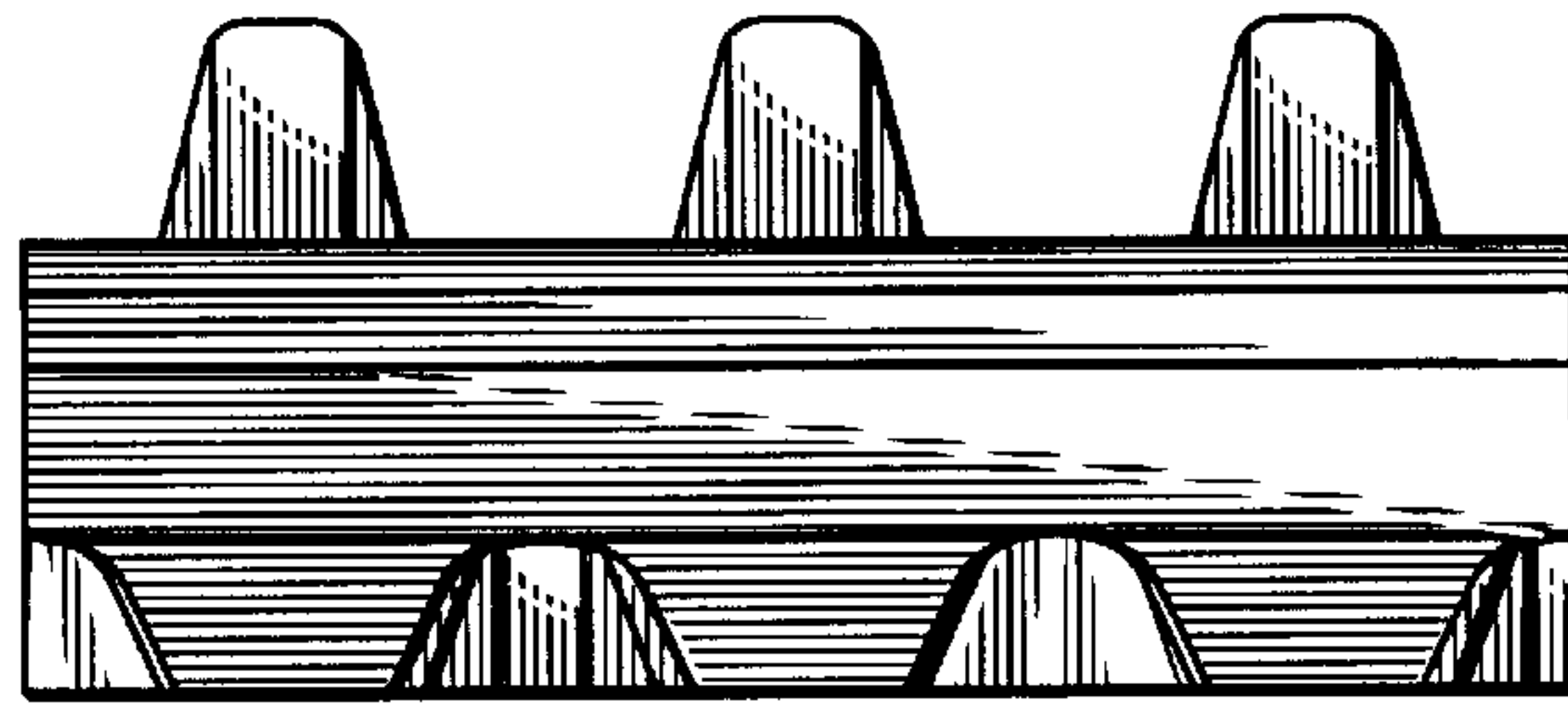


FIG.4

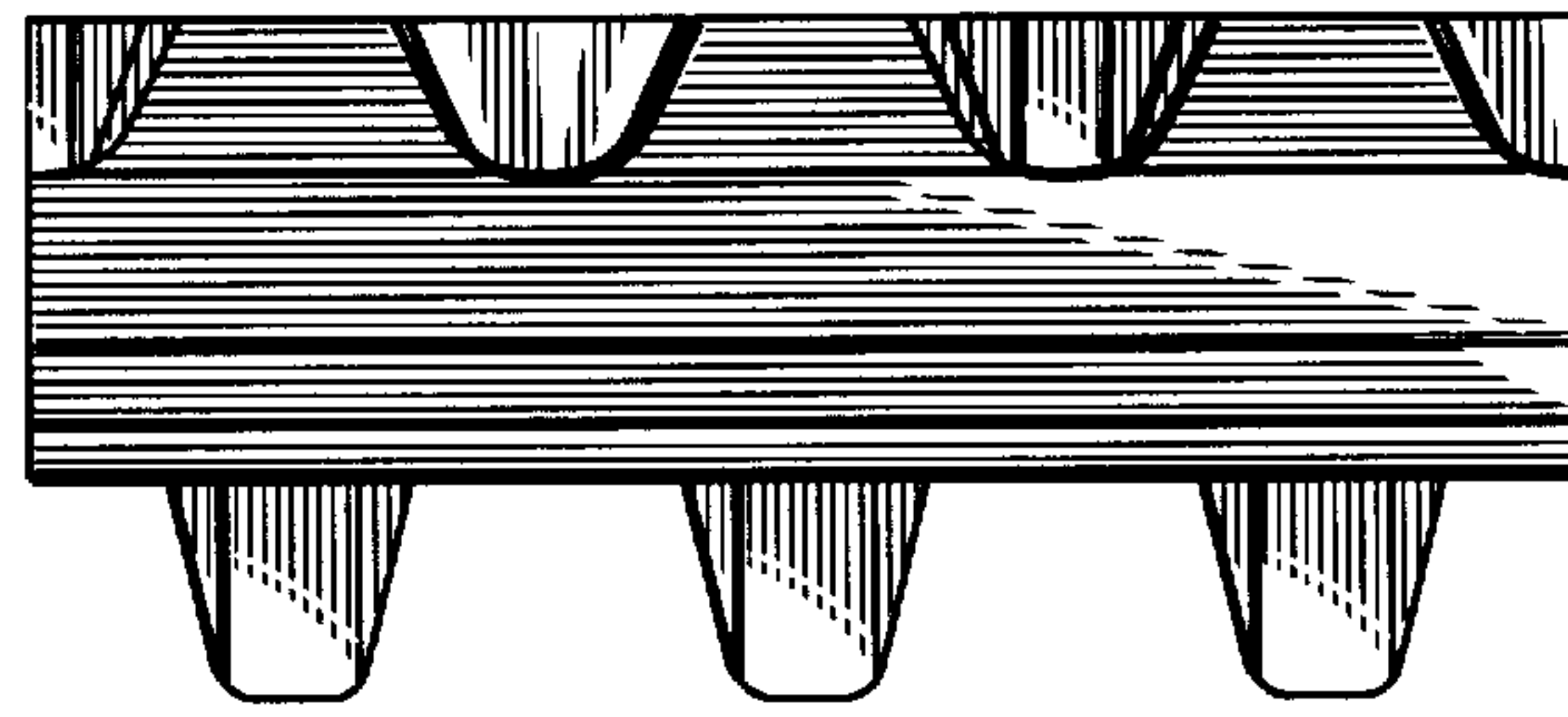


FIG.5

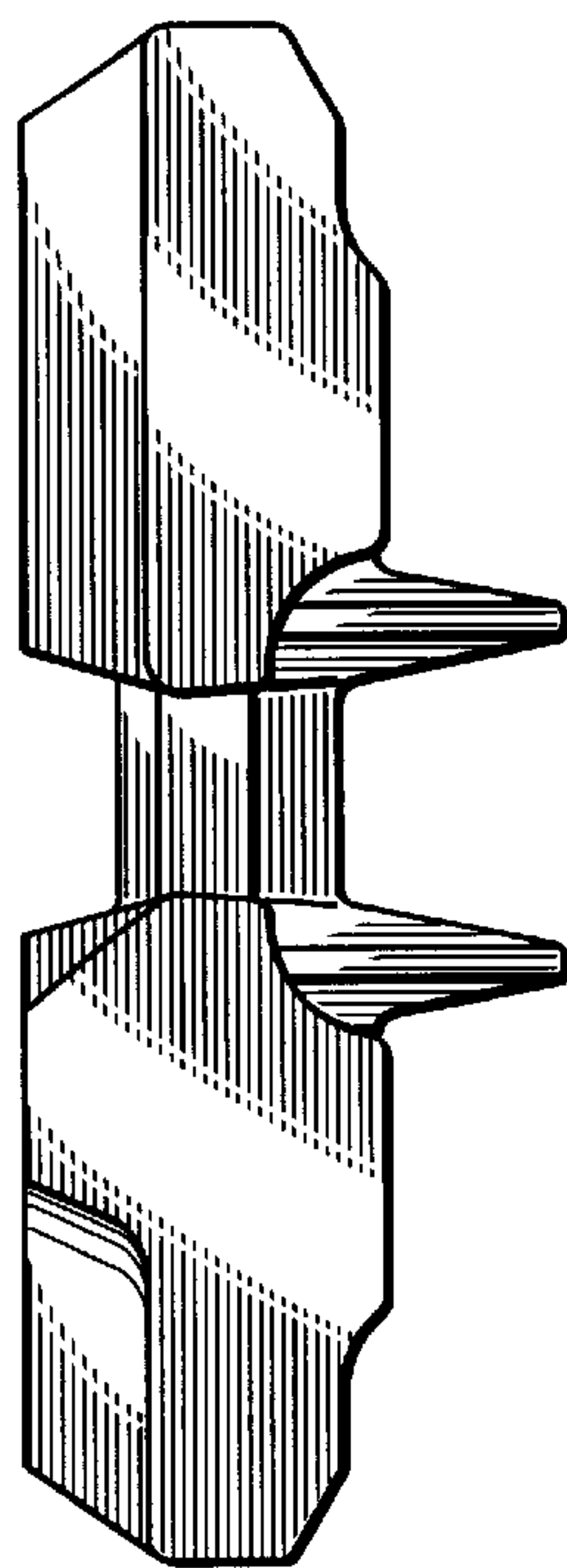


FIG.6

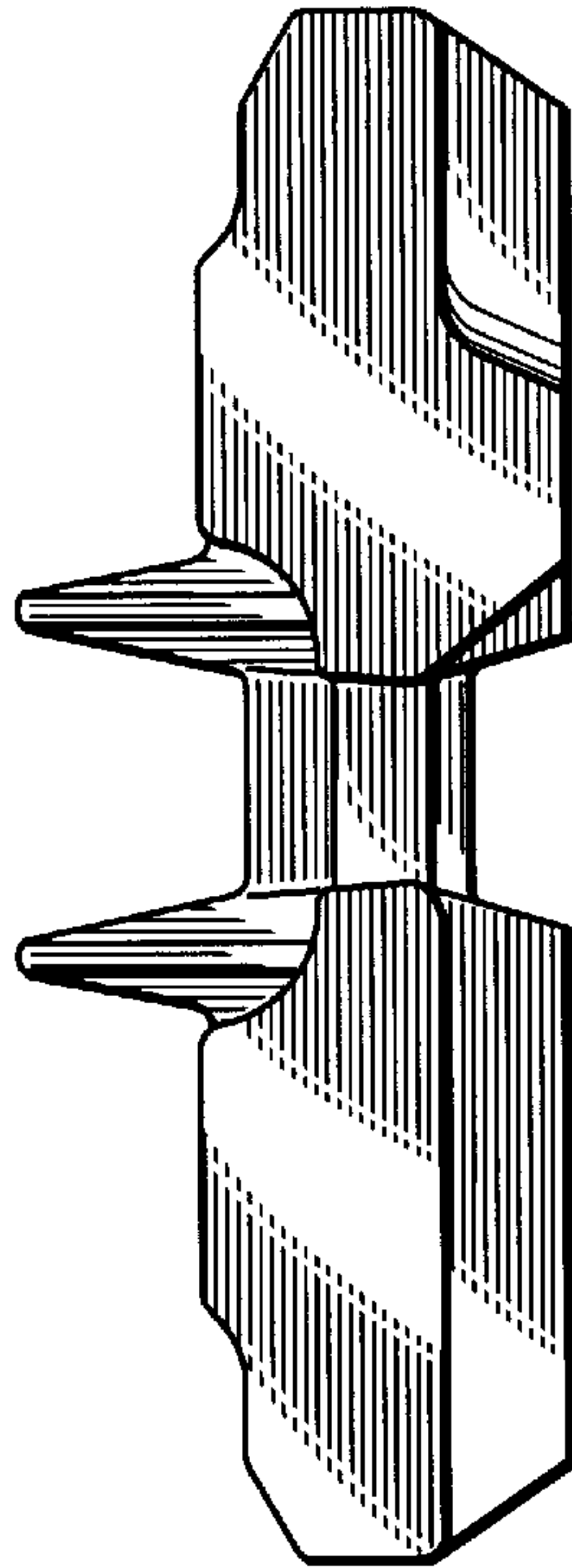


FIG.7

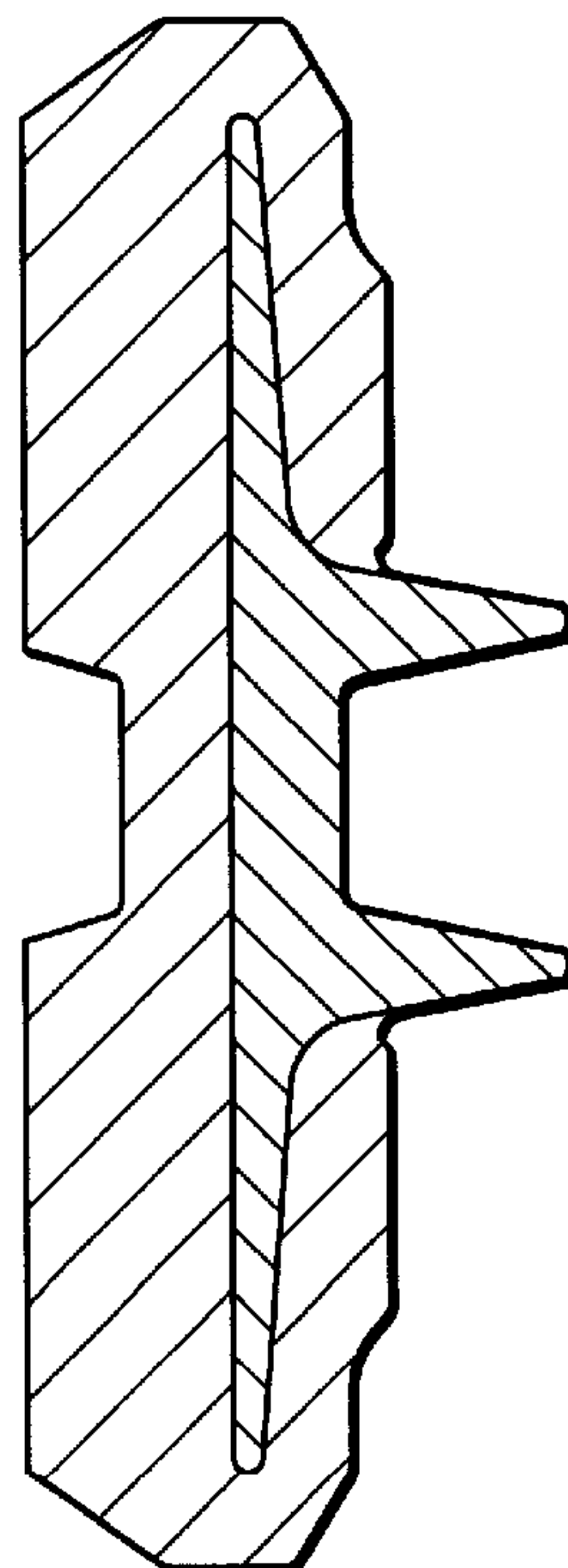


FIG.8

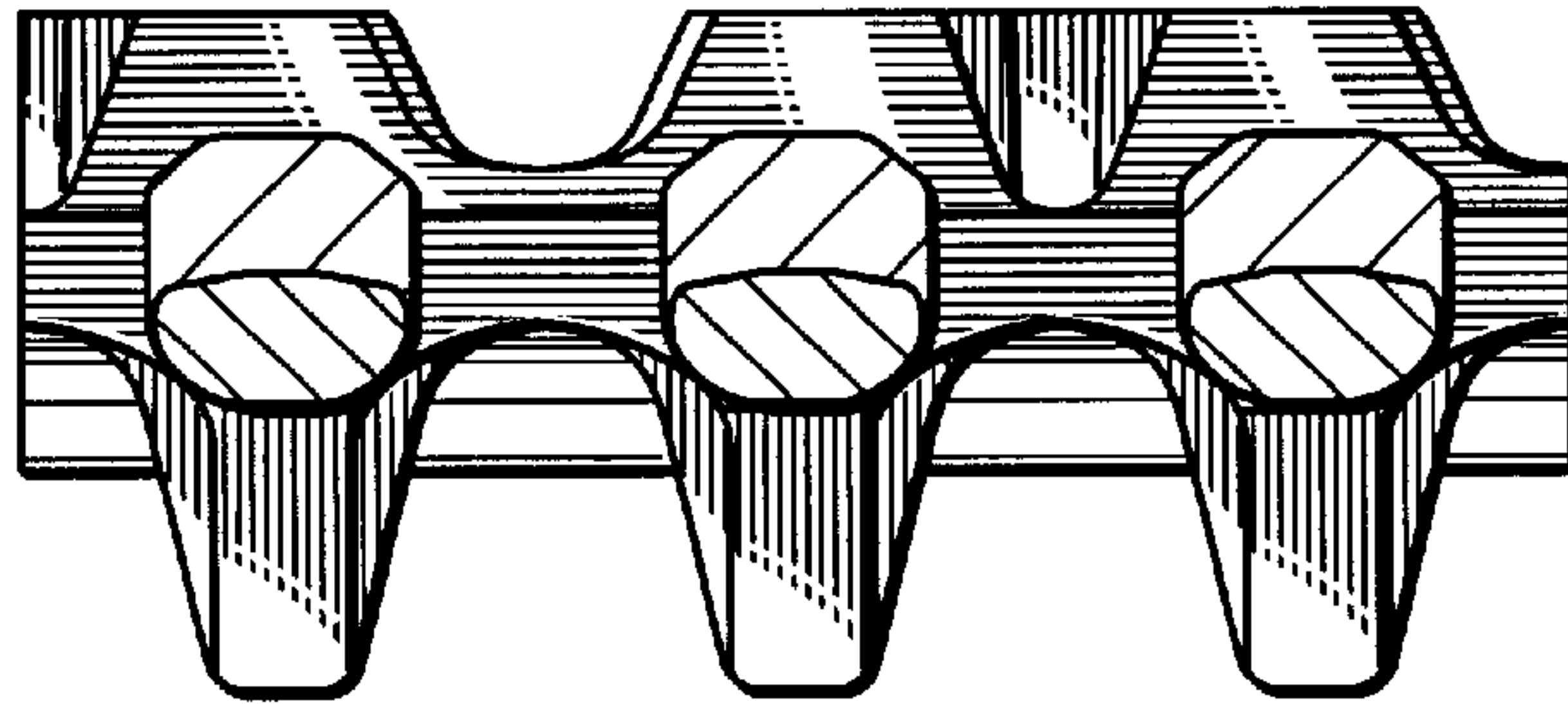


FIG.9

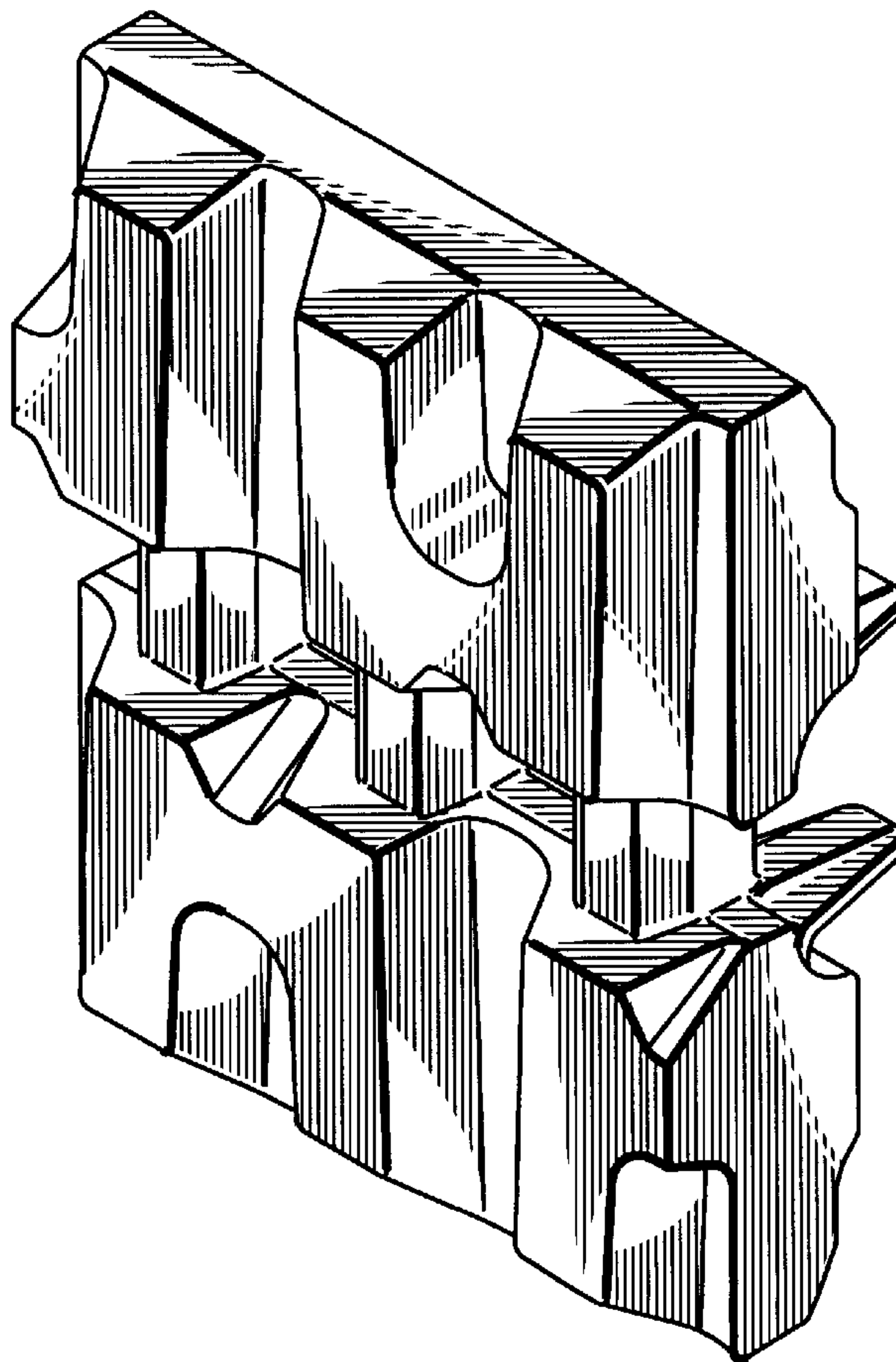


FIG.10

