

US00D543211S

(12) **United States Design Patent** (10) **Patent No.:** **US D543,211 S**  
**Petrick et al.** (45) **Date of Patent:** **\*\* May 22, 2007**

(54) **WISHBONE SUPPORT ARM**

(75) Inventors: **Christopher Petrick**, Park Ridge, IL (US); **Robert Coon**, Chicago, IL (US); **Clifford Krapfl**, Chicago, IL (US); **Jimmy-Quang Viet Doan**, Chicago, IL (US); **Bjorn Gunderson**, Chicago, IL (US)

(73) Assignee: **Bretford Manufacturing, Inc.**, Franklin Park, IL (US)

(\*\*) Term: **14 Years**

(21) Appl. No.: **29/258,699**

(22) Filed: **Apr. 26, 2006**

(51) **LOC (8) Cl.** ..... **14-02**

(52) **U.S. Cl.** ..... **D14/452**

(58) **Field of Classification Search** ..... D14/214, D14/224, 237, 239, 316, 371-7, 432, 439, D14/447-8, 451-2; D8/355, 363, 373, 380; 248/176.1, 201, 205.1, 237, 274.1, 276.1, 248/278.1, 279.1, 280.11, 282.1, 284.1, 286.1, 248/288.51, 291.1, 298.31, 390.1, 466, 917, 248/919; 343/800, 878, 880-2; 362/33; 403/83  
See application file for complete search history.

(56) **References Cited**

**U.S. PATENT DOCUMENTS**

6,554,238	B1	*	4/2003	Hibberd	.....	248/278.1
D489,599	S	*	5/2004	Lam	.....	D8/363
6,857,610	B1	*	2/2005	Conner et al.	.....	248/284.1
D503,719	S	*	4/2005	Lin	.....	D14/452
D505,858	S	*	6/2005	O'Keene	.....	D8/355
6,915,996	B2	*	7/2005	Lin	.....	248/288.51
D508,917	S	*	8/2005	Wills et al.	.....	D14/452
D522,009	S	*	5/2006	Chen	.....	D14/452
D529,033	S	*	9/2006	Hung	.....	D14/452

2002/0011544	A1	*	1/2002	Bosson	.....	248/121
2004/0262474	A1	*	12/2004	Boks et al.	.....	248/276.1
2005/0127261	A1	*	6/2005	Lin	.....	248/288.51
2006/0261228	A1	*	11/2006	Hung	.....	248/282.1

\* cited by examiner

*Primary Examiner*—Alan P. Douglas

*Assistant Examiner*—Angela J. Lee

(74) *Attorney, Agent, or Firm*—John C. Gorecki

(57) **CLAIM**

The ornamental design for a wishbone support arm, as shown and described.

**DESCRIPTION**

FIG. 1 is a top perspective view of a wishbone support arm embodying our novel design;

FIG. 2 is a bottom perspective view of a wishbone support arm embodying our novel design;

FIG. 3 is a front elevational view of the wishbone support arm of FIG. 1, the rear elevational view is a mirror image of the front view;

FIG. 4 is a left side elevational view of the wishbone support arm of FIG. 1;

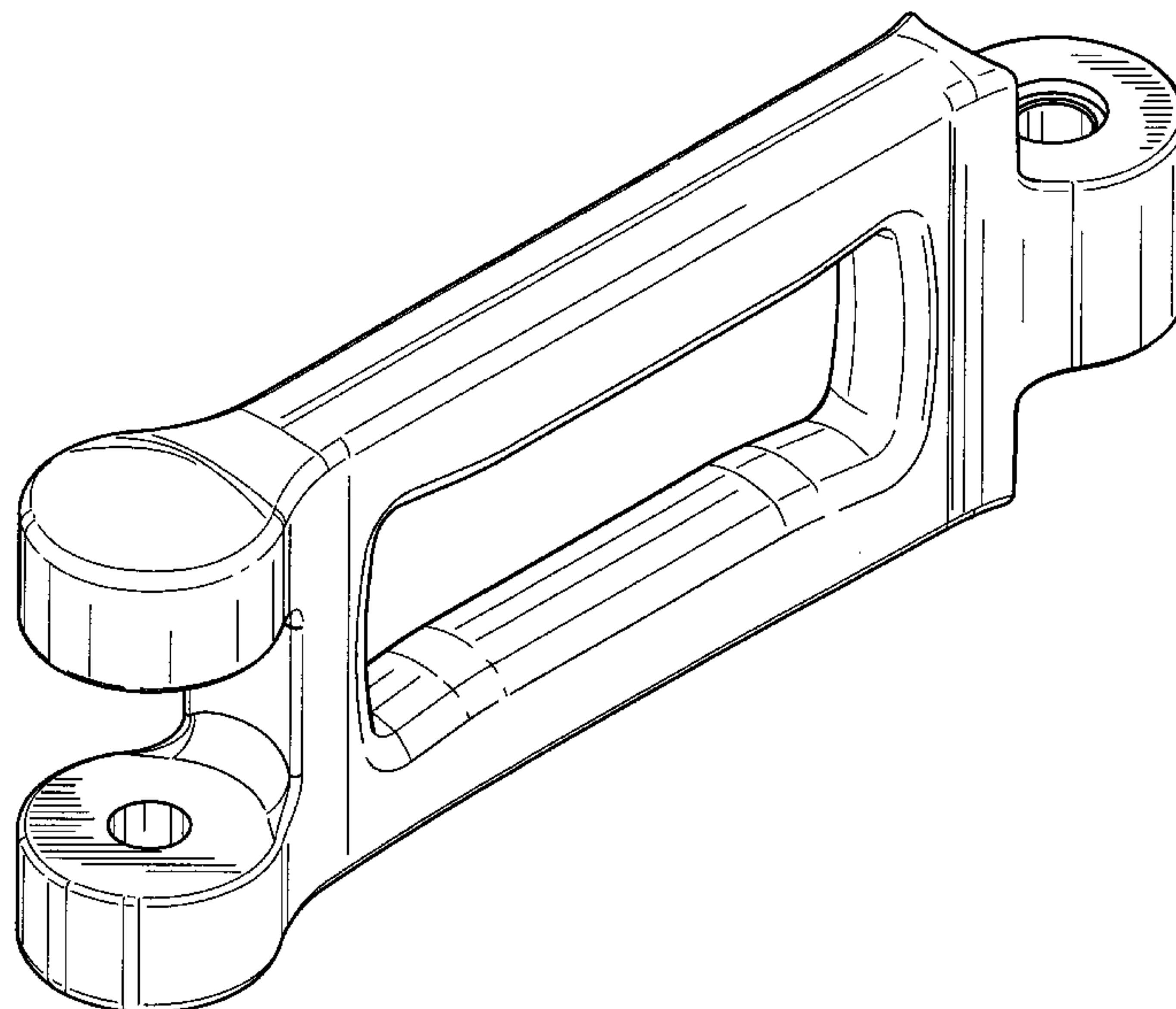
FIG. 5 is a right side elevational view of the wishbone support arm of FIG. 1;

FIG. 6 is a top plan view of the wishbone support arm of FIG. 1;

FIG. 7 is a bottom plan view of the wishbone support arm of FIG. 1; and,

FIG. 8 is a front elevational view of the wishbone support arm of FIG. 1 shown connected to components of a flat panel display mounting system. The broken lines shown in FIG. 8 are for illustrative purposes only, to show one possible environment of the wishbone support arm, and form no part of the claimed design.

**1 Claim, 6 Drawing Sheets**



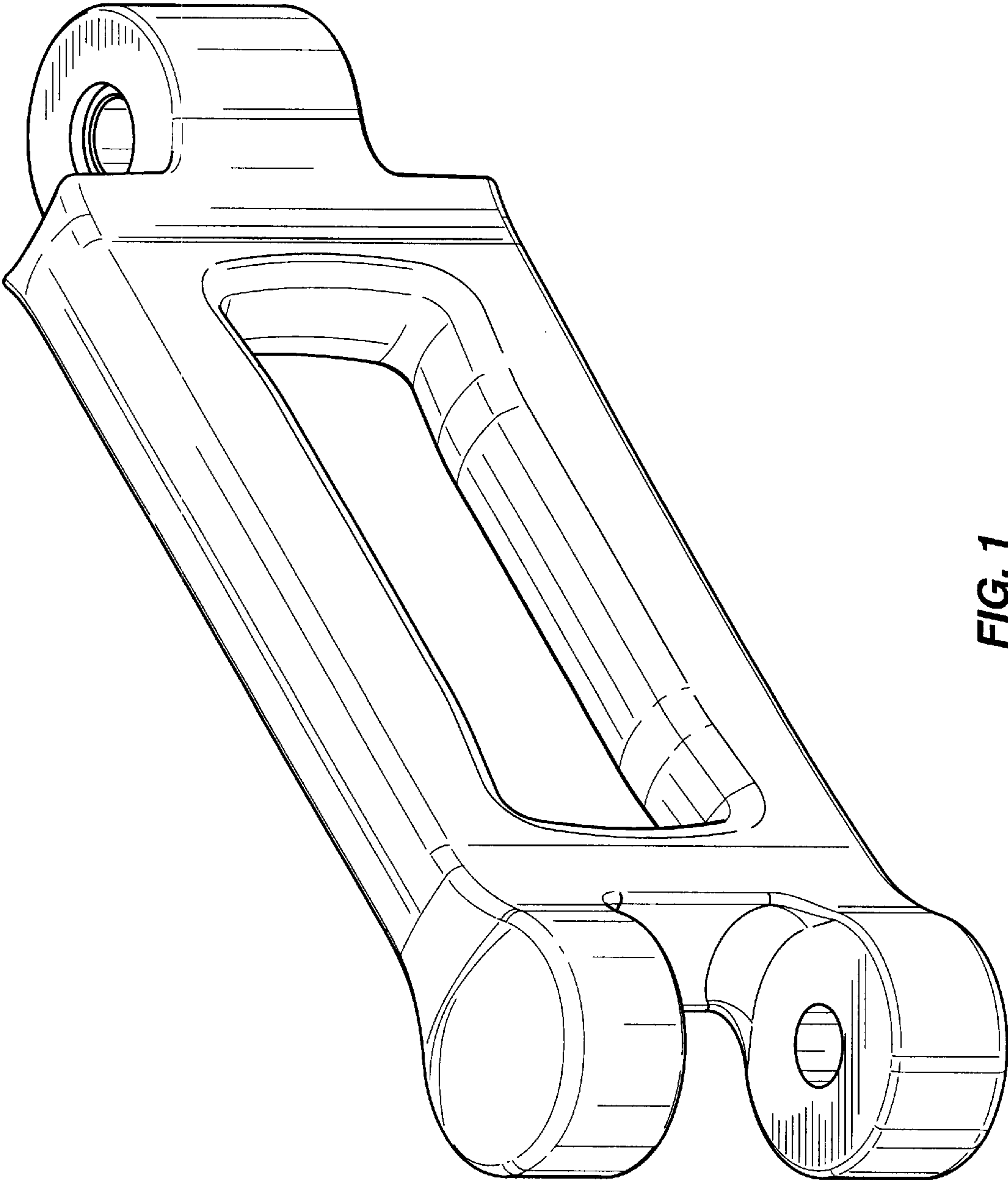


FIG. 1

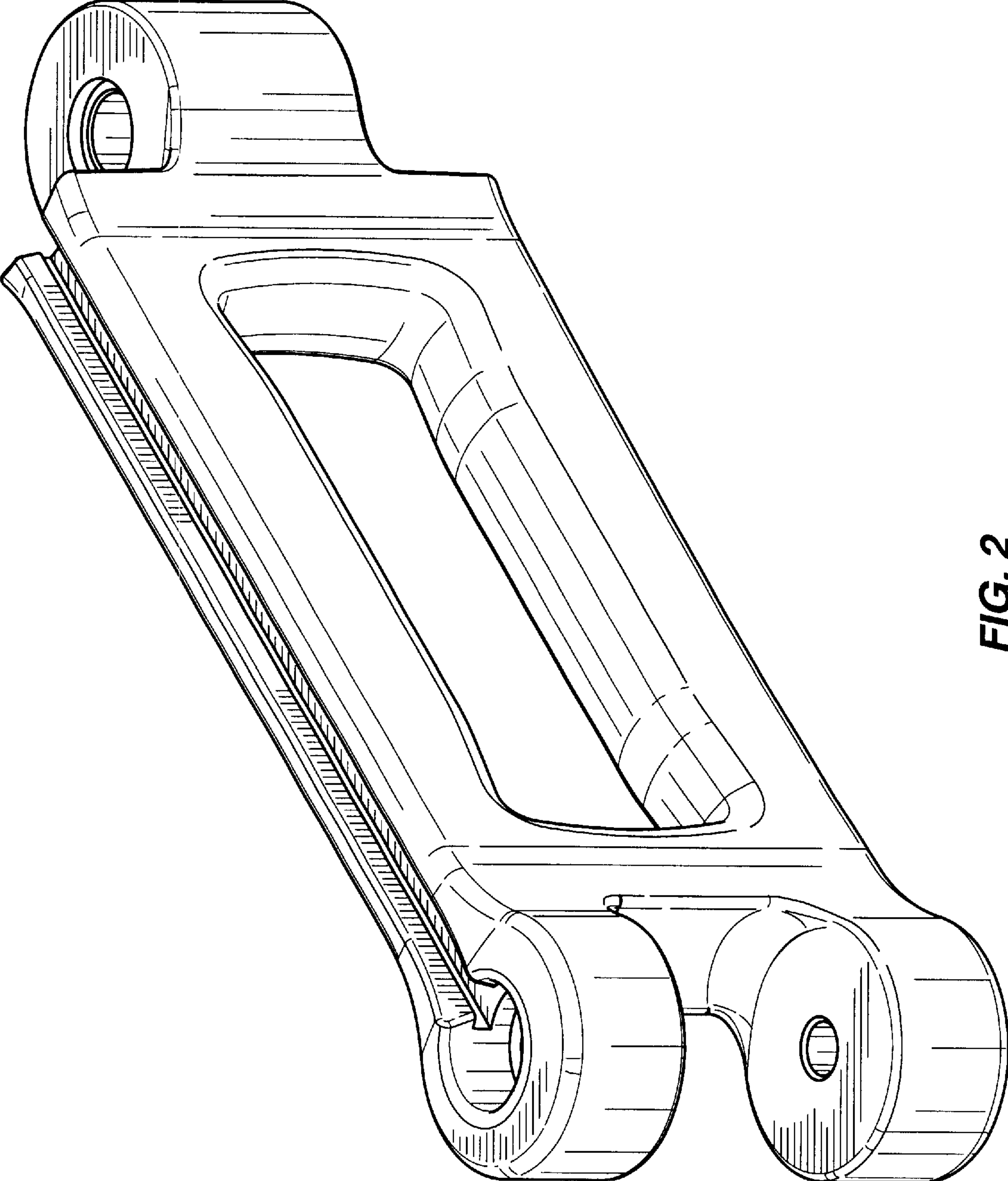
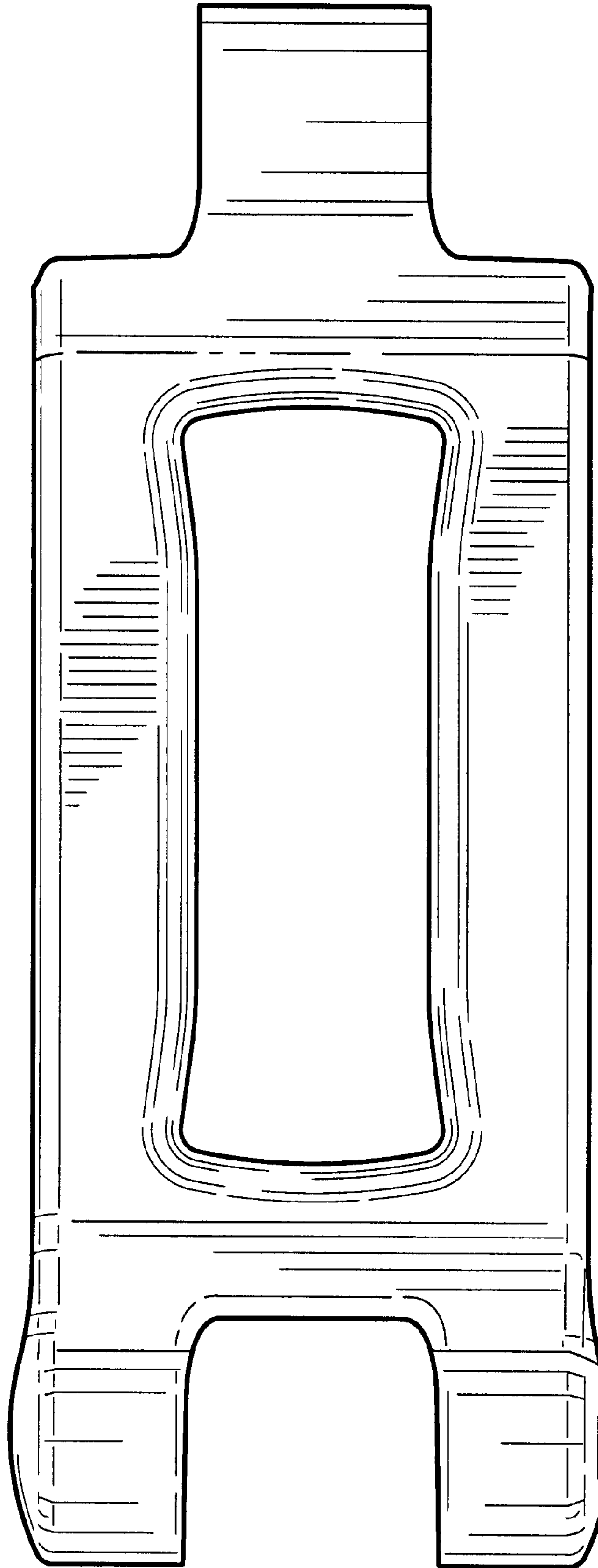
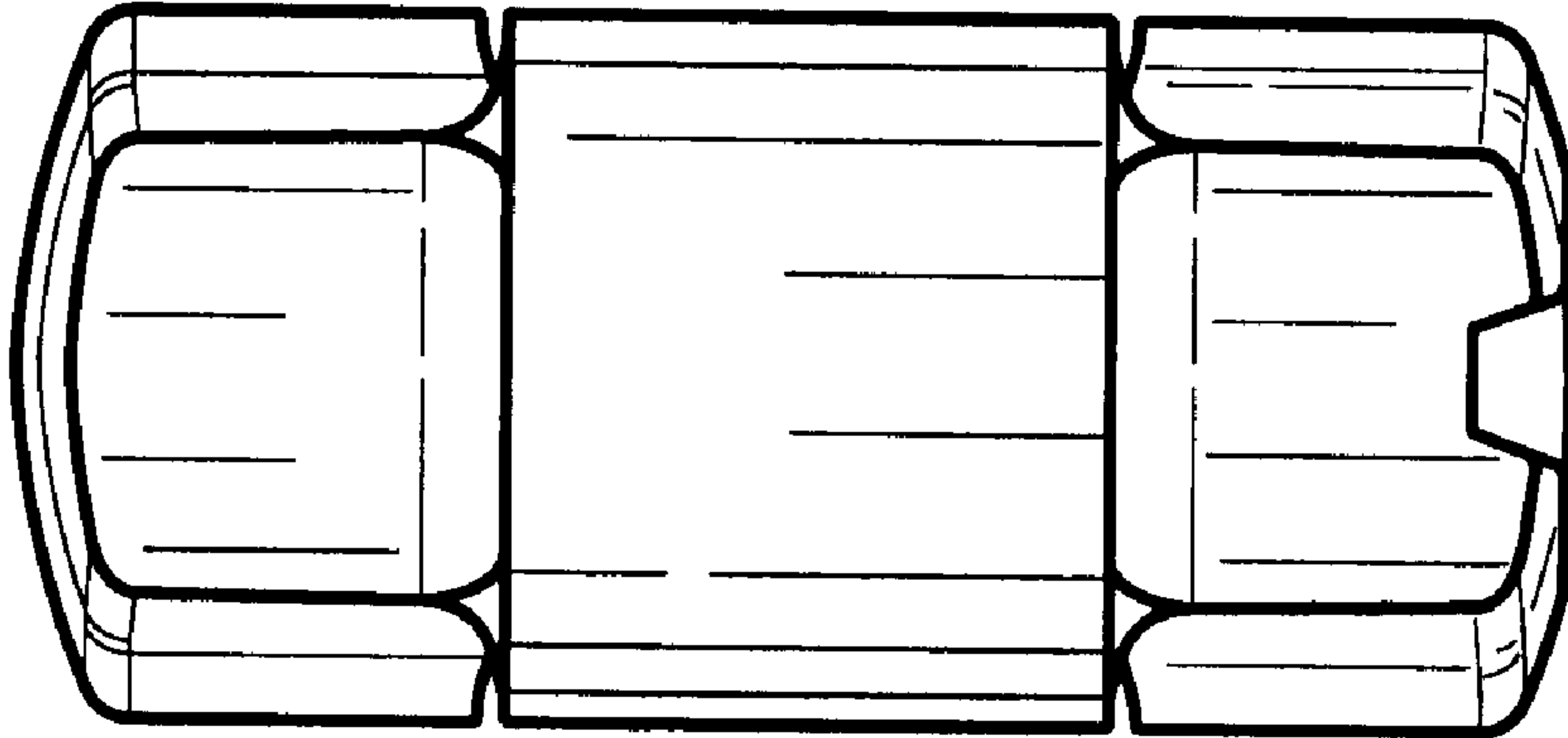


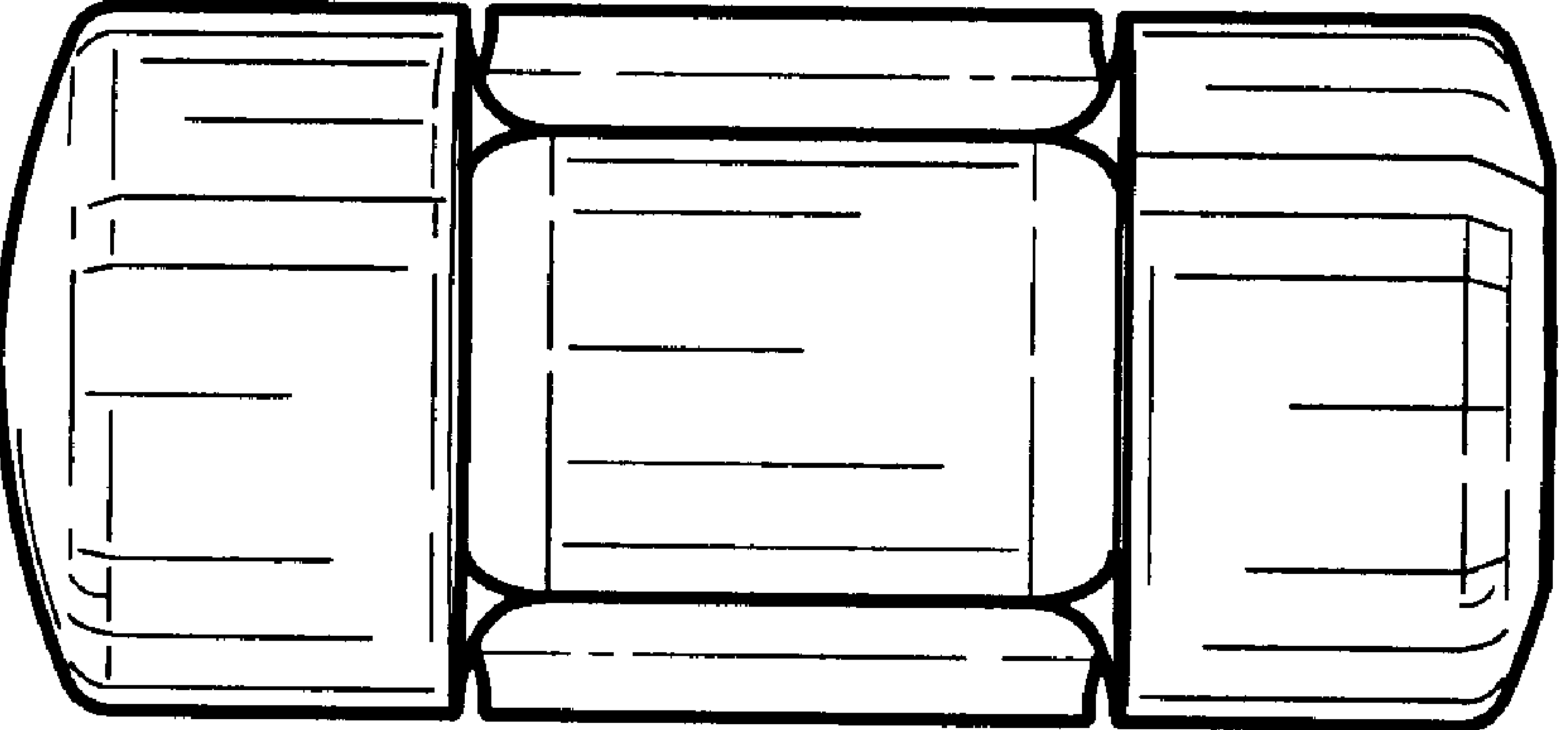
FIG. 2



**FIG. 3**

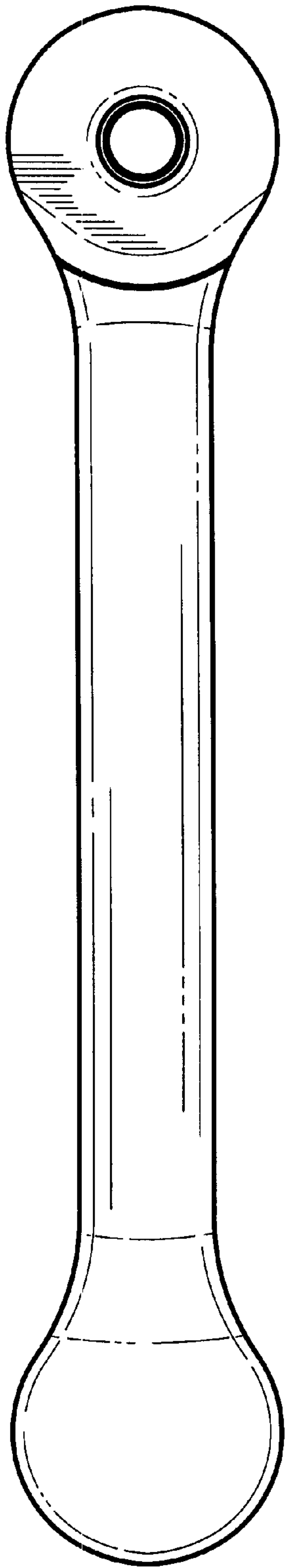


**FIG. 4**

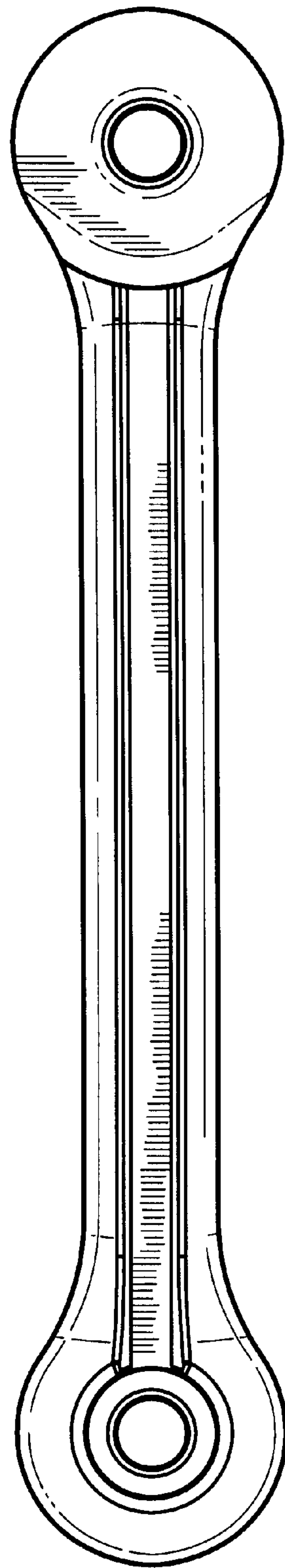


**FIG. 5**





**FIG. 6**



**FIG. 7**

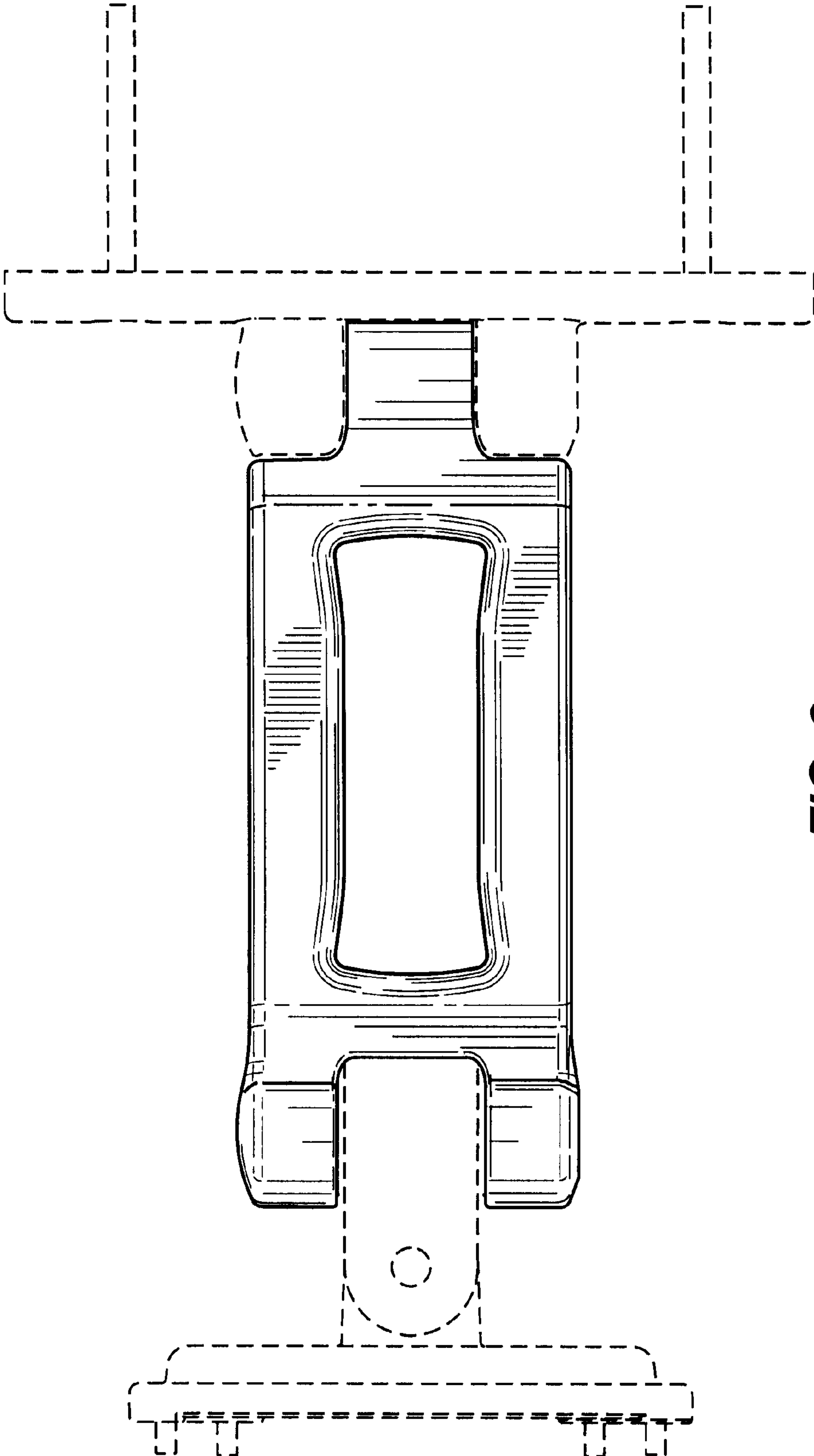


FIG. 8