

US00D543210S

(12) **United States Design Patent**  
**Stenhouse et al.**

(10) **Patent No.:** **US D543,210 S**

(45) **Date of Patent:** **\*\* May 22, 2007**

(54) **SMALL CANTILEVER MOUNT FOR A FLAT  
PANEL DISPLAY**

(75) Inventors: **Brett Stenhouse**, Phoenix, AZ (US);  
**Zachary Eyman**, Phoenix, AZ (US);  
**Korry Hoglan**, Phoenix, AZ (US);  
**David Anderson**, Mesa, AZ (US)

(73) Assignee: **Omnimount Systems, Inc.**, Phoenix,  
AZ (US)

(\*\*) Term: **14 Years**

(21) Appl. No.: **29/253,811**

(22) Filed: **Feb. 13, 2006**

(51) **LOC (8) Cl.** ..... **14-02**

(52) **U.S. Cl.** ..... **D14/452**

(58) **Field of Classification Search** ..... D14/214,  
D14/224, 237, 239, 316, 371-7, 432, 439,  
D14/447-8, 451-2; D8/355, 363, 373, 380;  
343/800, 878, 880-2; 362/33; 403/83; 248/176.1,  
248/201, 205.1, 237, 274.1, 276.1, 278.1,  
248/279.1, 280.11, 282.1, 284.1, 286.1, 288.51,  
248/291.1, 298.31, 390.1, 466, 917, 919  
See application file for complete search history.

(56) **References Cited**

**U.S. PATENT DOCUMENTS**

5,772,174 A \* 6/1998 Hirsch et al. .... 248/447.1  
D489,599 S \* 5/2004 Lam ..... D8/363

D494,183 S \* 8/2004 Wills et al. .... D14/452  
D505,858 S \* 6/2005 O'Keene ..... D8/355  
6,915,996 B2 \* 7/2005 Lin ..... 248/288.51  
D508,917 S \* 8/2005 Wills et al. .... D14/452  
D522,009 S \* 5/2006 Chen ..... D14/452  
D529,033 S \* 9/2006 Hung ..... D14/452  
2002/0011544 A1 \* 1/2002 Bosson ..... 248/121  
2004/0262474 A1 \* 12/2004 Boks et al. .... 248/276.1  
2005/0127261 A1 \* 6/2005 Lin ..... 248/288.51  
2005/0258321 A1 \* 11/2005 Worrall et al. .... 248/201  
2005/0284997 A1 \* 12/2005 Tisbo et al. .... 248/276.1

\* cited by examiner

*Primary Examiner*—Alan P. Douglas

*Assistant Examiner*—Angela J. Lee

(74) *Attorney, Agent, or Firm*—Hogan & Hartson LLP

(57) **CLAIM**

The ornamental design for a small cantilever mount for a flat panel display, as shown and described.

**DESCRIPTION**

FIG. 1 is a top, right isometric view of a small cantilever mount with a tilt mechanism for a flat panel display showing our design.

FIG. 2 is a front elevational view thereof.

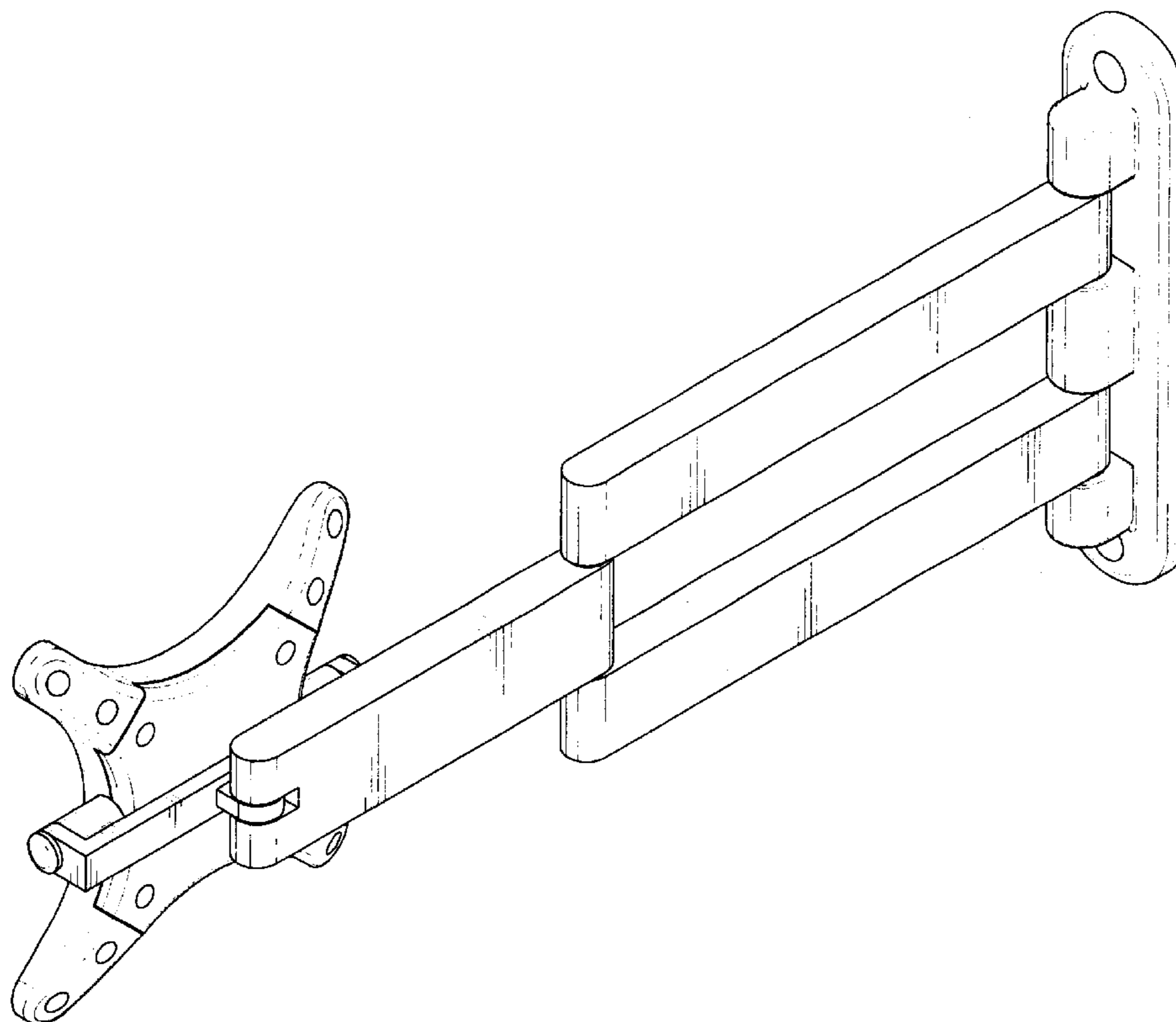
FIG. 3 is a rear elevational view thereof.

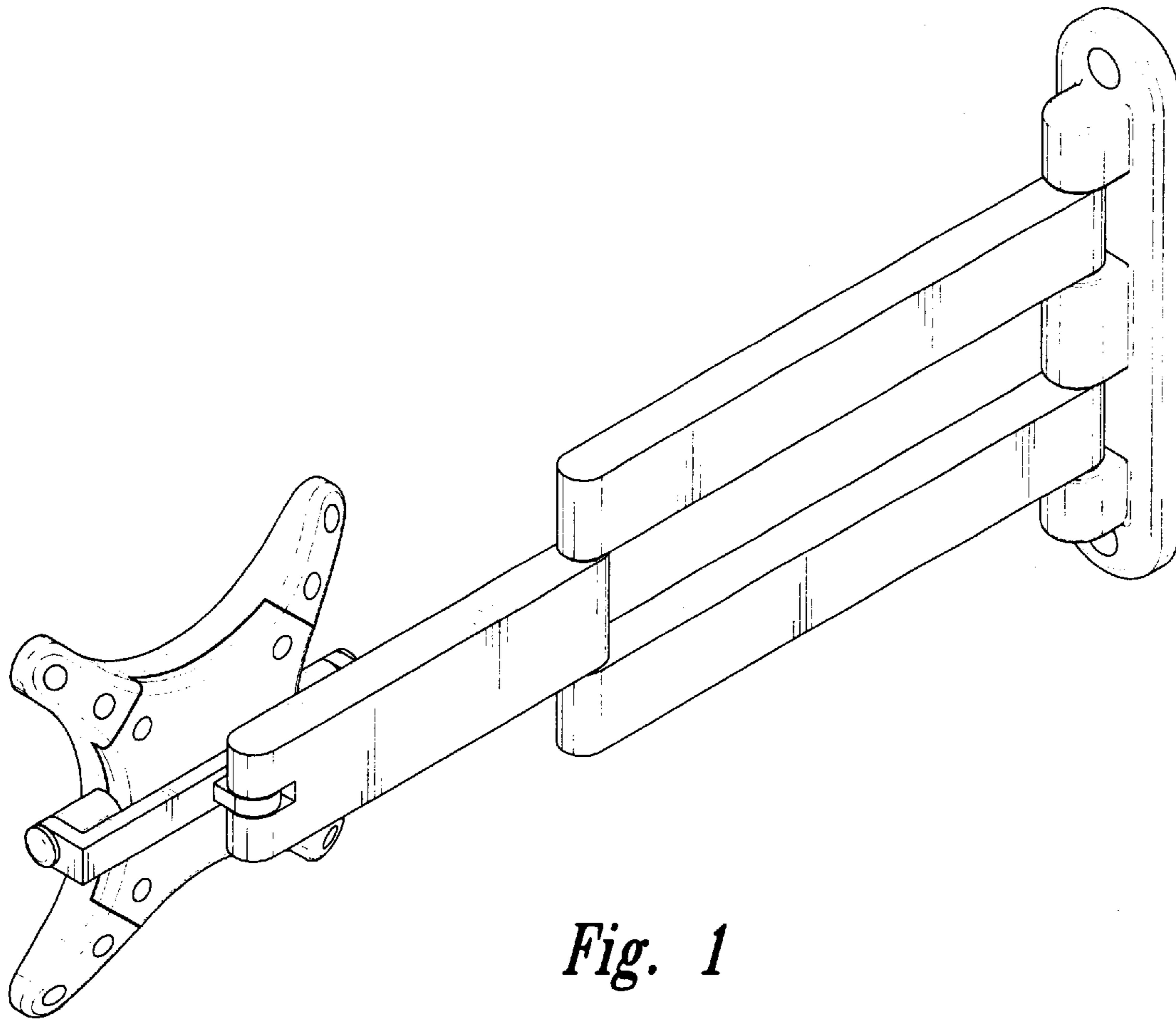
FIG. 4 is a right-side elevational view thereof.

FIG. 5 is a left-side elevational view thereof; and,

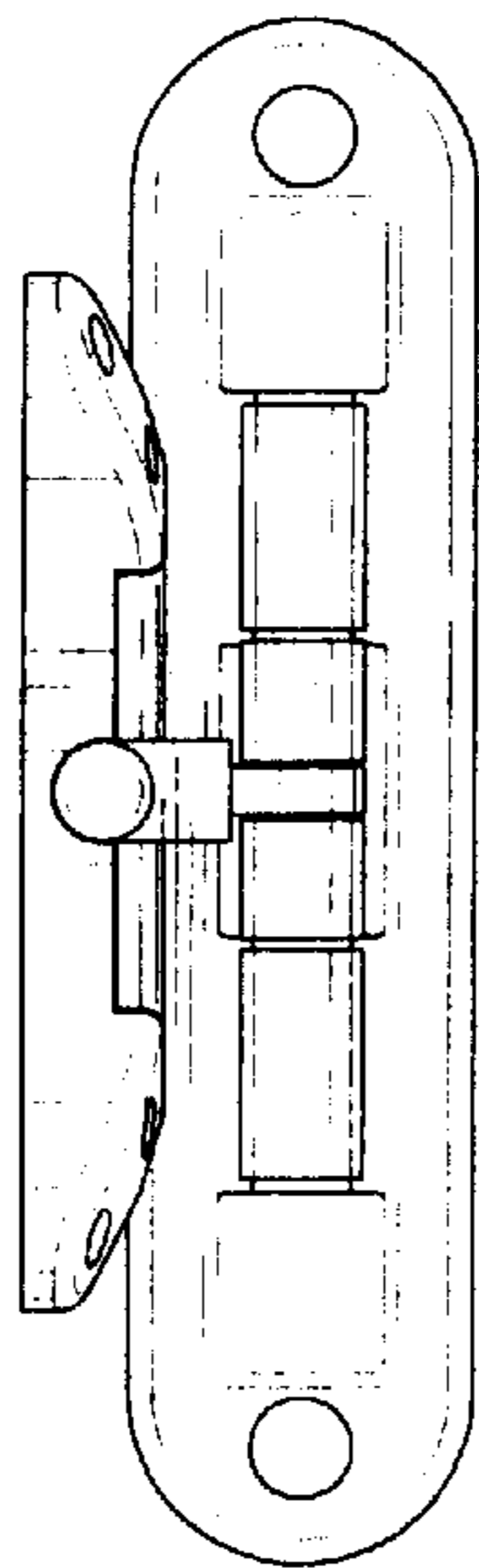
FIG. 6 is a top plan view thereof; the bottom plan view is a mirror image of FIG. 6.

**1 Claim, 2 Drawing Sheets**

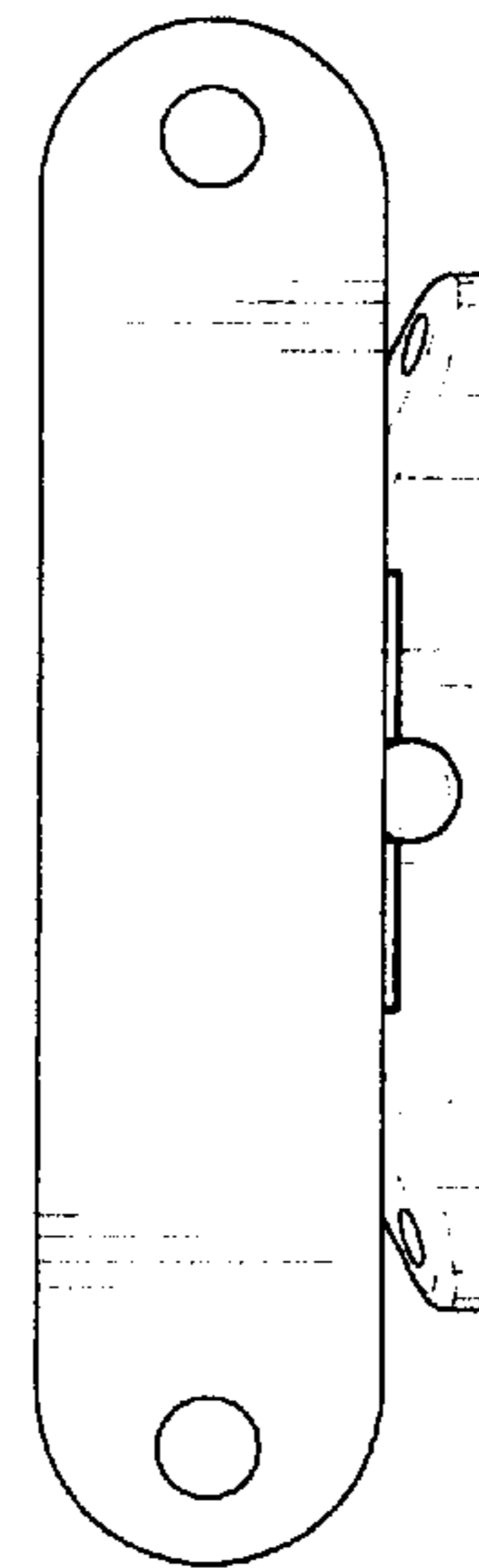




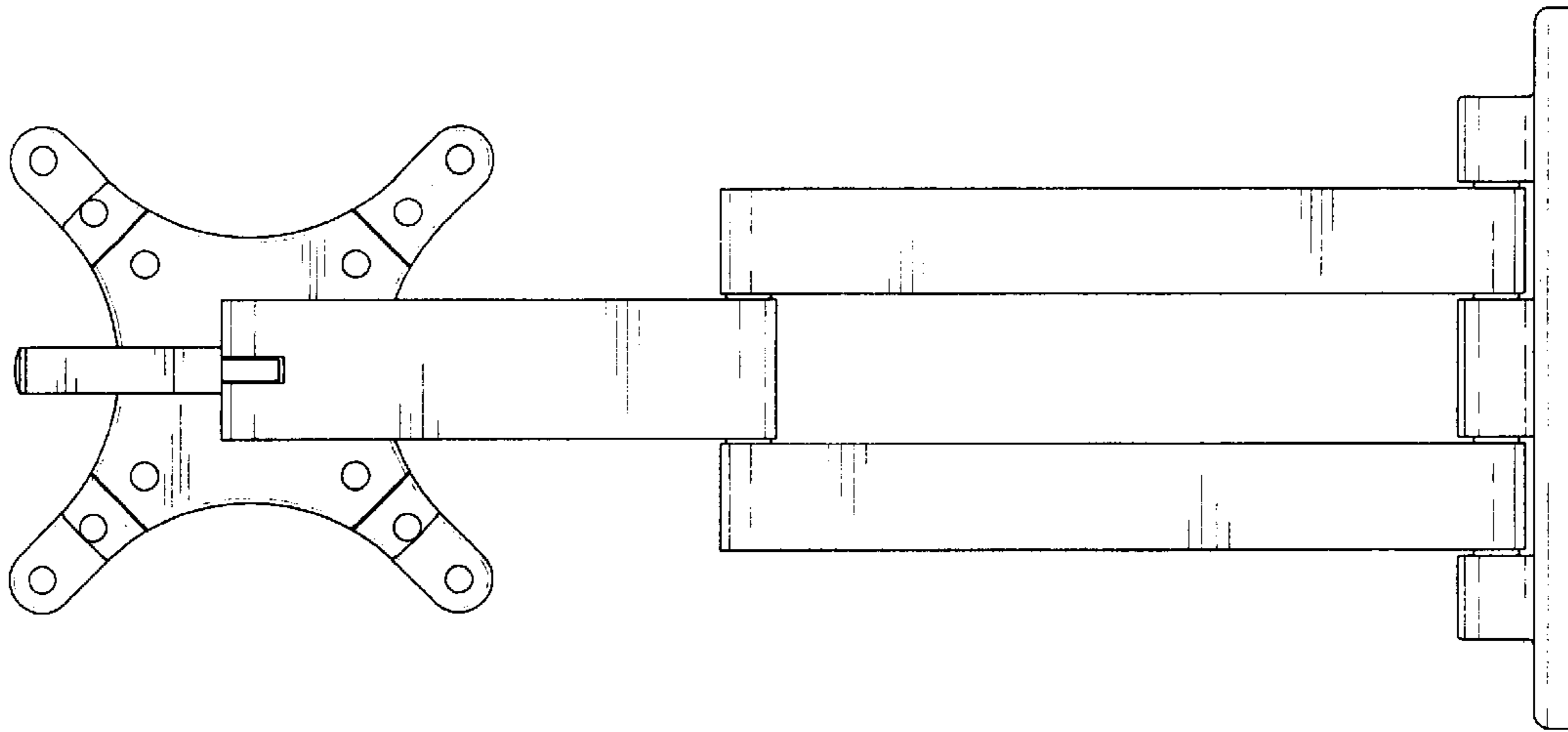
*Fig. 1*



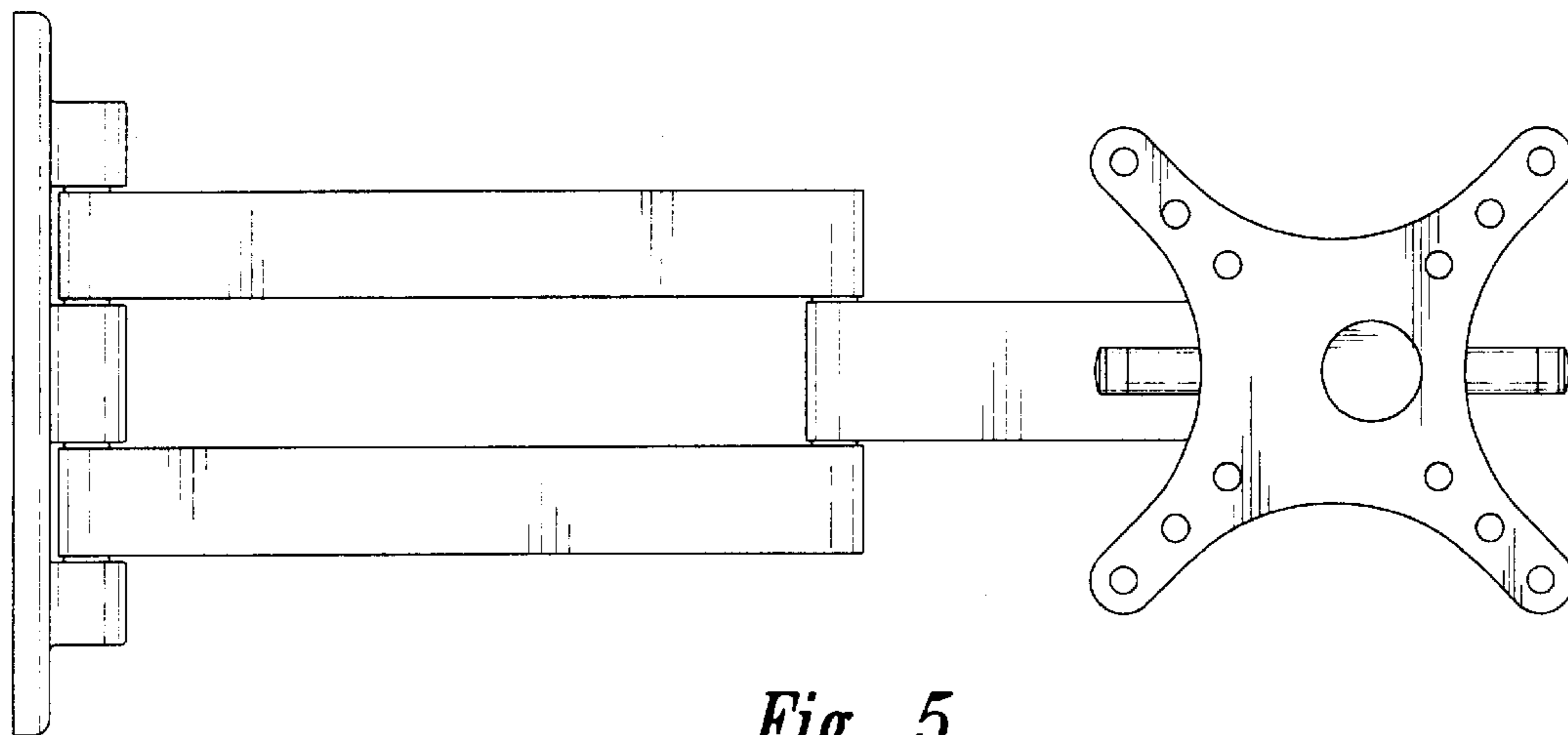
*Fig. 2*



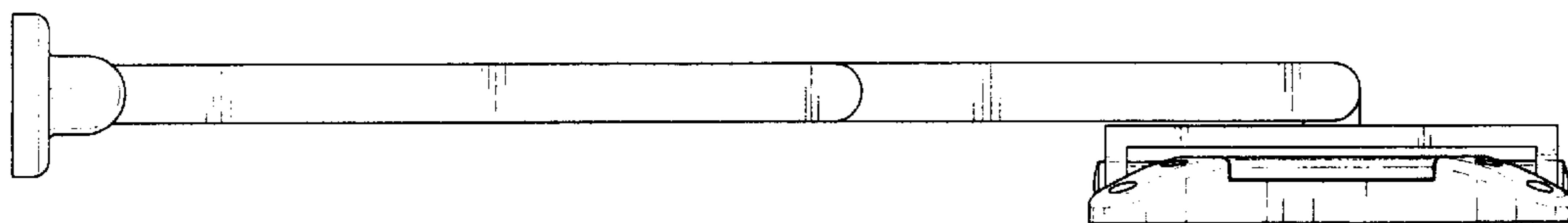
*Fig. 3*



*Fig. 4*



*Fig. 5*



*Fig. 6*