

US00D543209S

(12) **United States Design Patent** (10) **Patent No.:** **US D543,209 S**  
**Bae** (45) **Date of Patent:** **\*\* May 22, 2007**

(54) **LAPTOP TABLE**  
(76) Inventor: **Seok-Hee Bae**, 406 Stockton Ct.,  
Edgewater, NJ (US) 07020  
(\*\*) Term: **14 Years**

D399,208 S \* 10/1998 Mackie et al. .... D14/217  
D402,642 S \* 12/1998 Faranda et al. .... D14/434  
6,239,971 B1 \* 5/2001 Yu et al. .... 361/695  
6,707,668 B2 \* 3/2004 Huang ..... 361/687  
D522,002 S \* 5/2006 Cheng ..... D14/439  
2003/0231466 A1 \* 12/2003 Huang ..... 361/687  
2006/0061964 A1 \* 3/2006 Cheng ..... 361/687

(21) Appl. No.: **29/257,439**  
(22) Filed: **Apr. 4, 2006**

\* cited by examiner

(30) **Foreign Application Priority Data**

Nov. 4, 2005 (KR) ..... 30-2005-0037173

*Primary Examiner*—Alan P. Douglas  
*Assistant Examiner*—Angela J. Lee  
(74) *Attorney, Agent, or Firm*—Cantor Colburn LLP

(51) **LOC (8) Cl.** ..... **14-02**  
(52) **U.S. Cl.** ..... **D14/451**

(57) **CLAIM**

I claim, the ornamental design for an laptop table, as shown and described.

(58) **Field of Classification Search** ..... D14/217,  
D14/224, 239, 251, 316, 356, 366, 375-7,  
D14/432, 434, 439, 447-8, 451-2, 455, 457,  
D14/469; D6/396, 419, 449, 473-5, 477,  
D6/512; D7/323, 339-41, 362, 365, 367,  
D7/407; D8/363; D19/92, 95; D23/314, 332,  
D23/355, 370, 386-7; 248/121, 122.1, 124.1,  
248/125.1, 125.7, 126-8, 133, 178.1, 183.2,  
248/346.01, 346.02, 346.03, 349.1, 371,  
248/441.1, 454-5, 917-24; 312/223.3; 361/681,  
361/683, 686-7

**DESCRIPTION**

FIG. 1 is a top and front perspective view of a laptop table, showing my new design;  
FIG. 2 is a front view thereof;  
FIG. 3 is a rear view thereof;  
FIG. 4 is a left side view thereof;  
FIG. 5 is a right side view thereof;  
FIG. 6 is a top plan view thereof;  
FIG. 7 is a bottom plan view thereof;  
FIG. 8 is a reference perspective view showing how the laptop table can be coupled with a table; and,  
FIG. 9 is another reference perspective view showing the laptop table disposed on a table.  
The broken lines shown in the figures are for illustrative purposes only and form no part of the claimed design.

See application file for complete search history.

(56) **References Cited**

**U.S. PATENT DOCUMENTS**

D270,740 S \* 9/1983 Pearson ..... D19/78  
D368,706 S \* 4/1996 Mieki ..... D14/451  
D375,486 S \* 11/1996 Shinano ..... D14/357  
D390,314 S \* 2/1998 Chen ..... D34/23

**1 Claim, 5 Drawing Sheets**

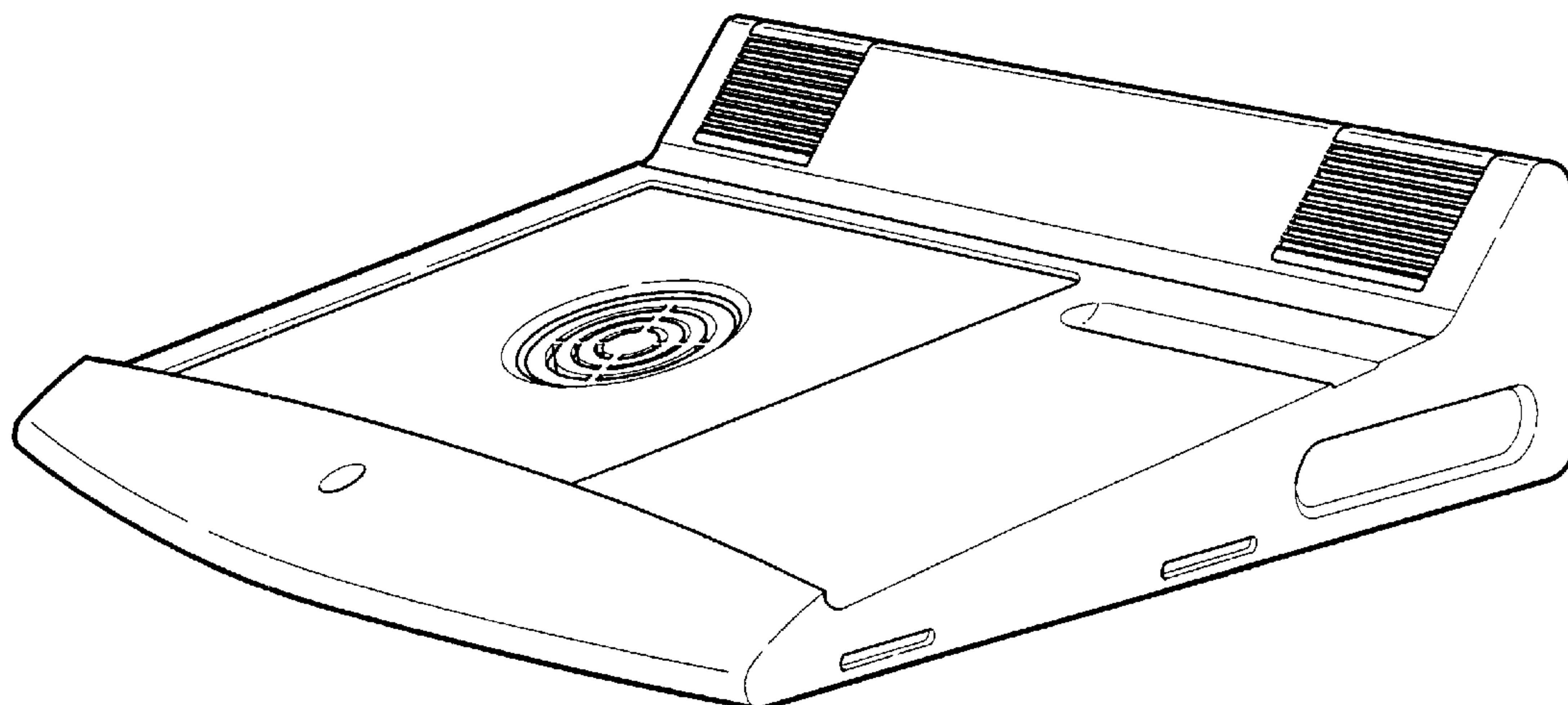


FIG. 1

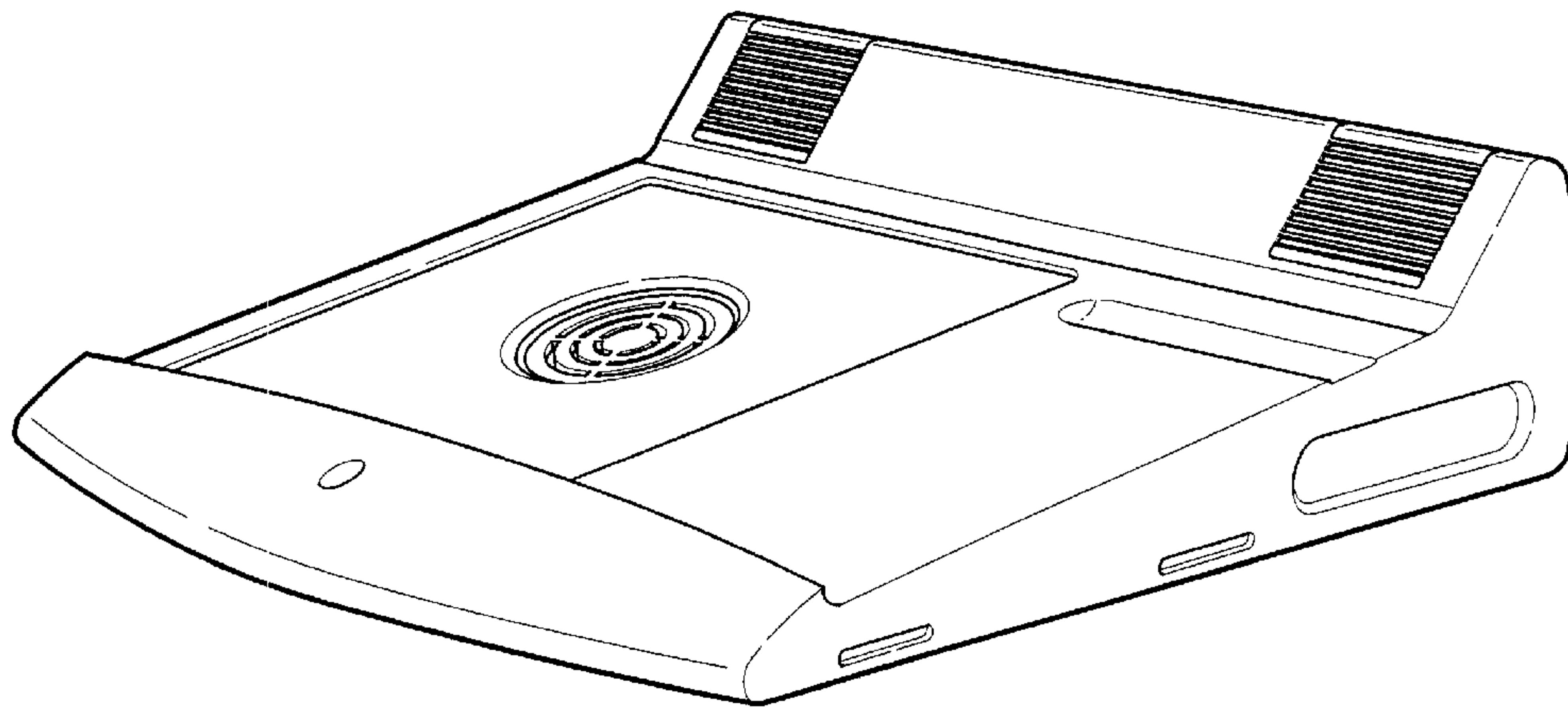


FIG.2

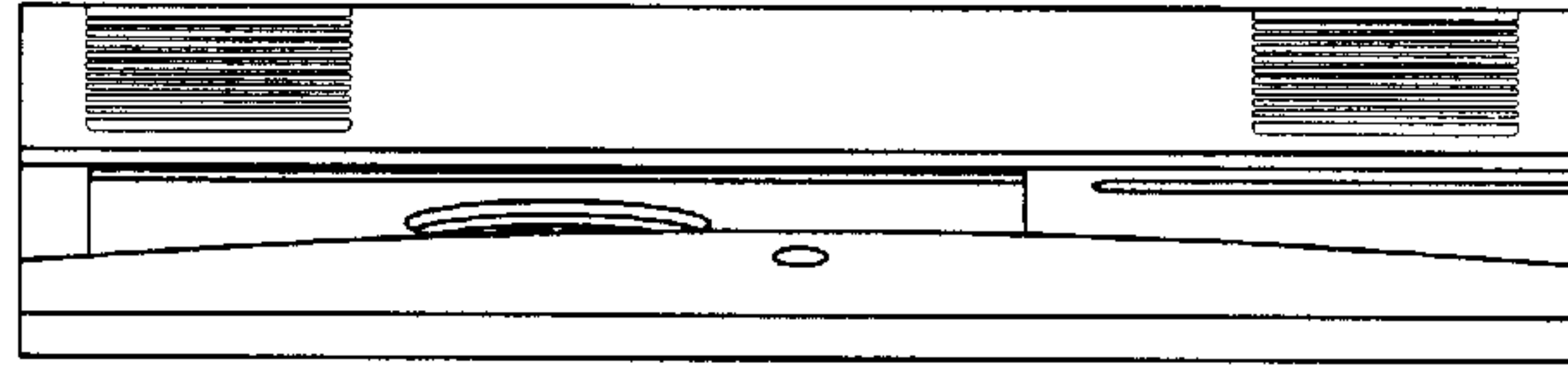


FIG.3

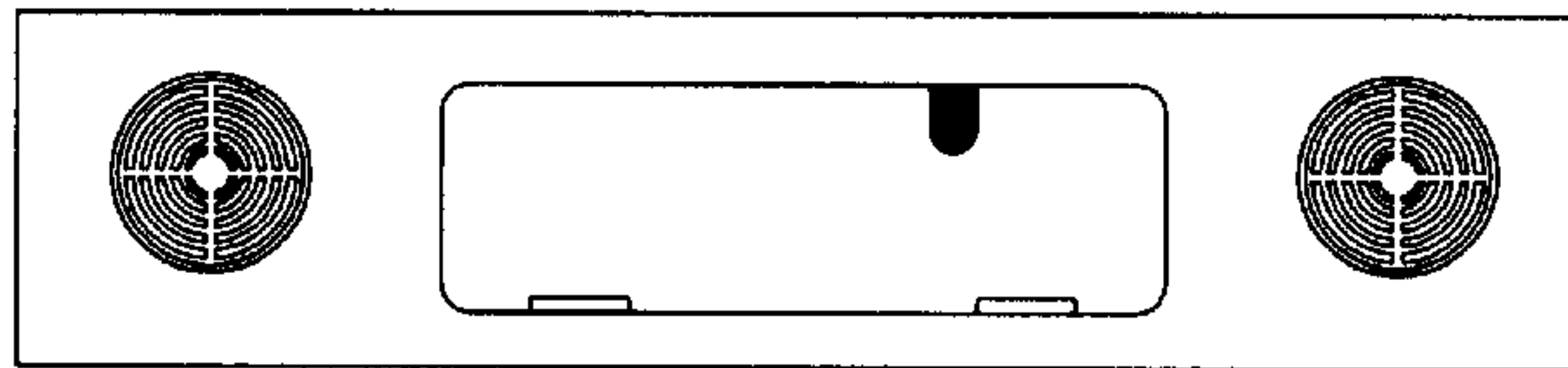


FIG.4

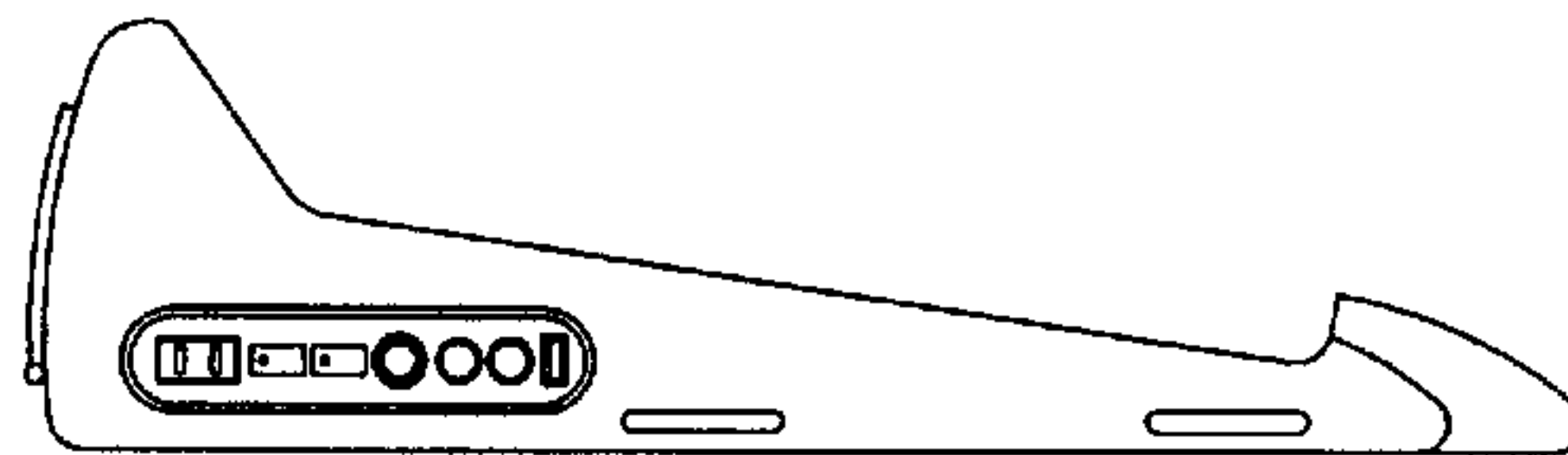


FIG.5

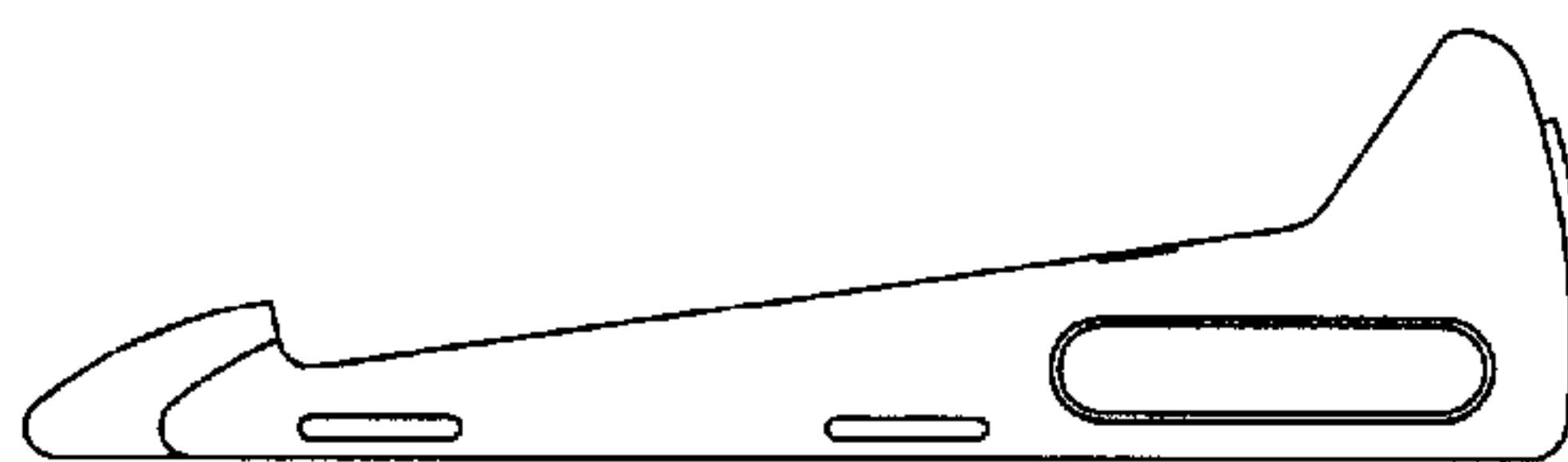


FIG.6

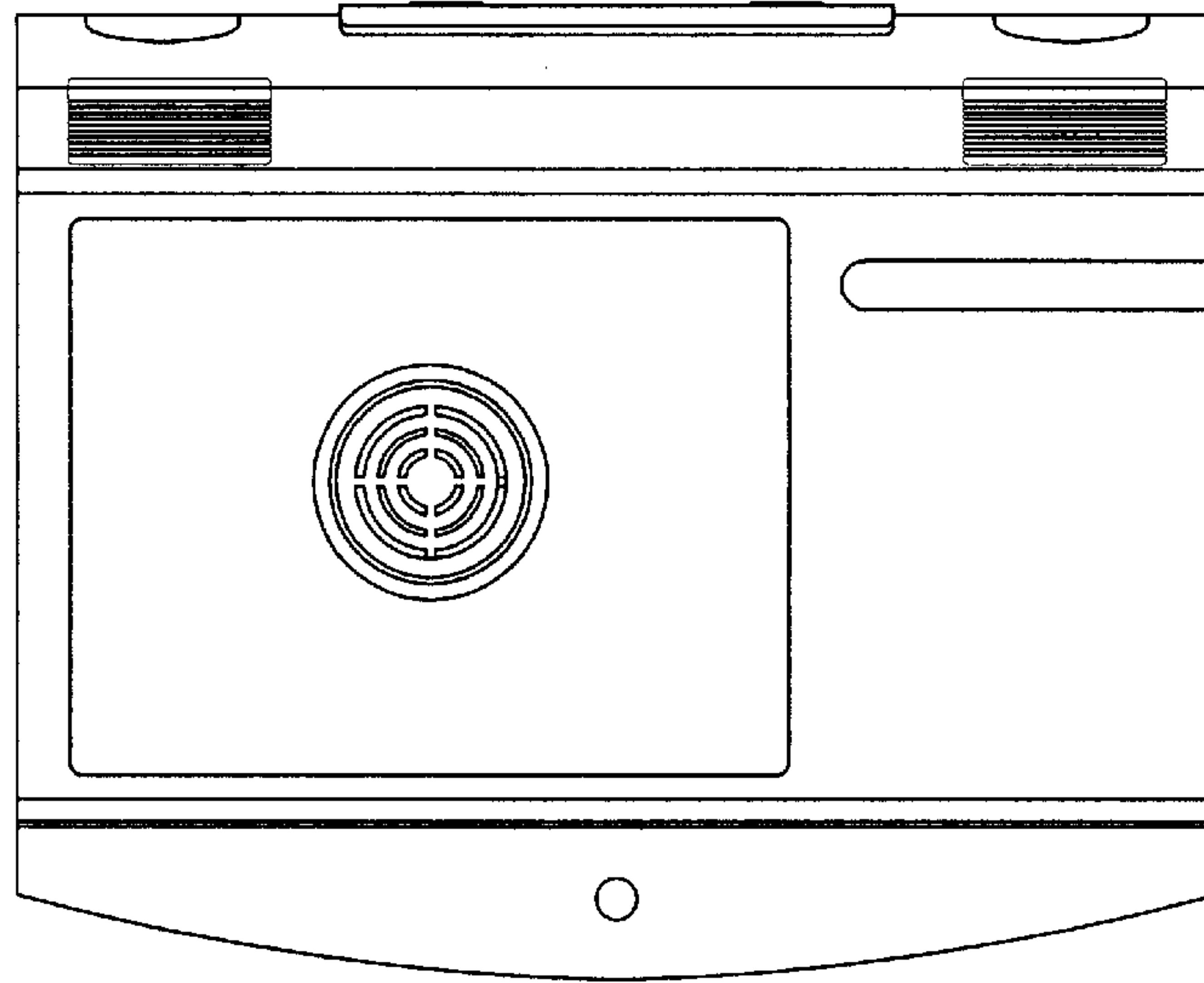


FIG.7

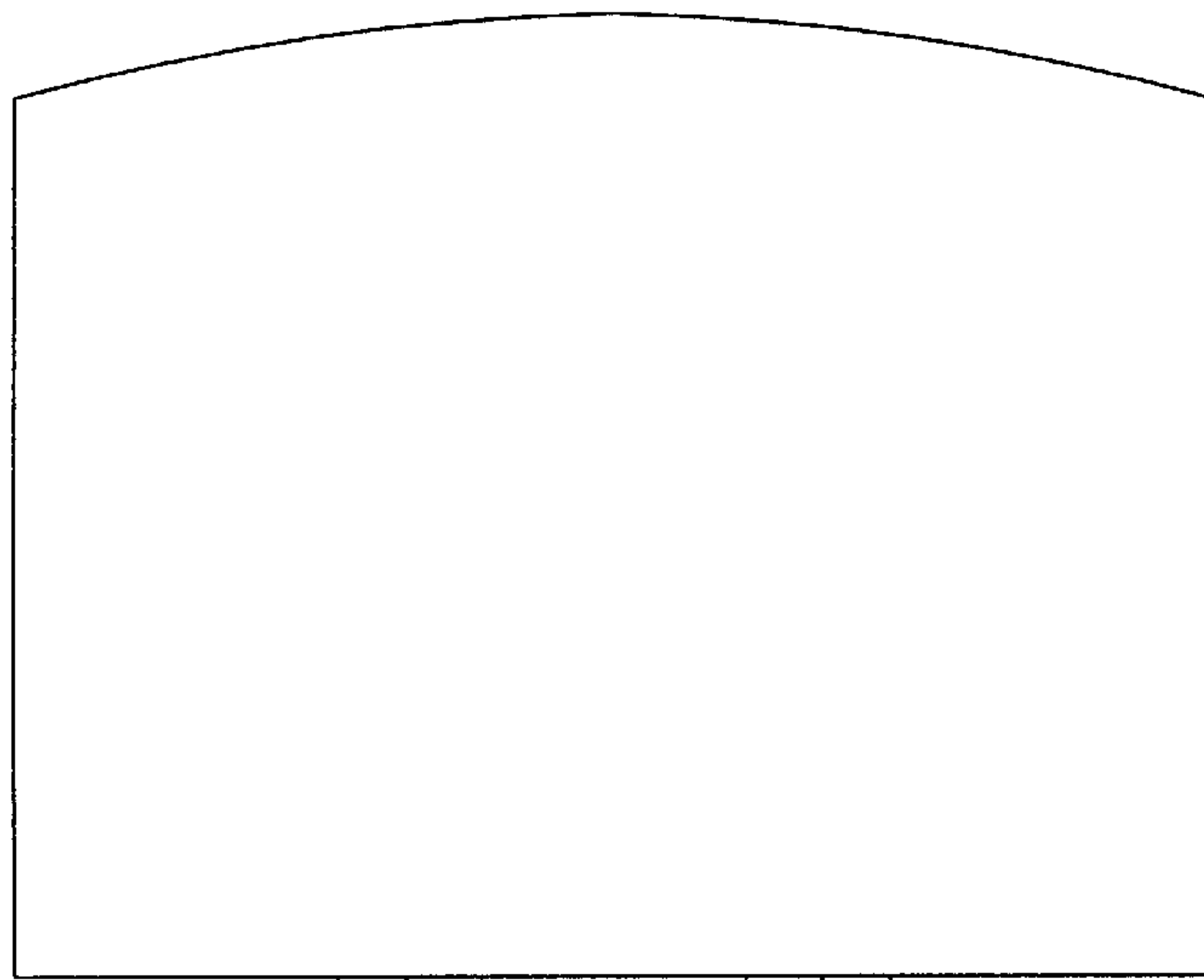


FIG. 8

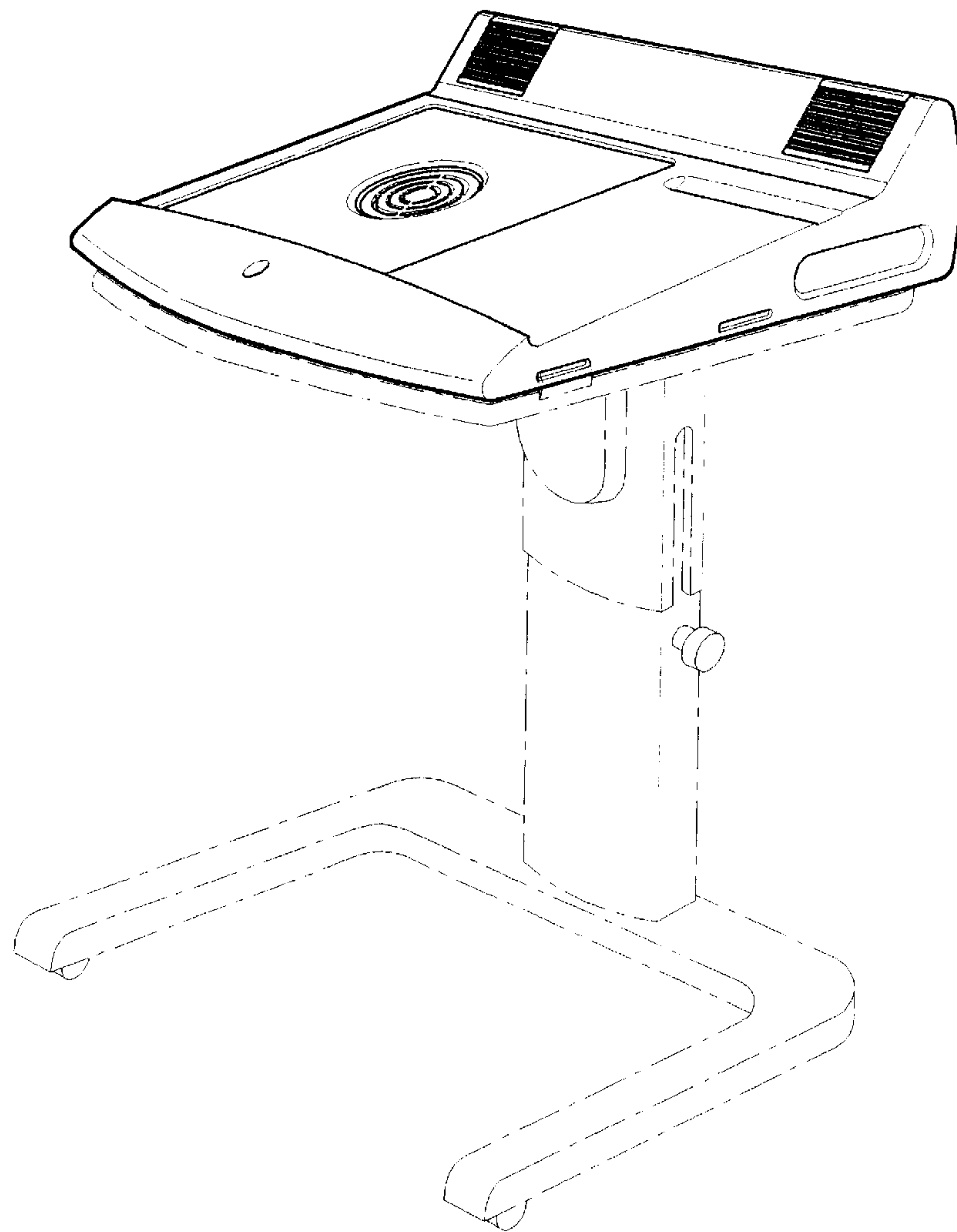
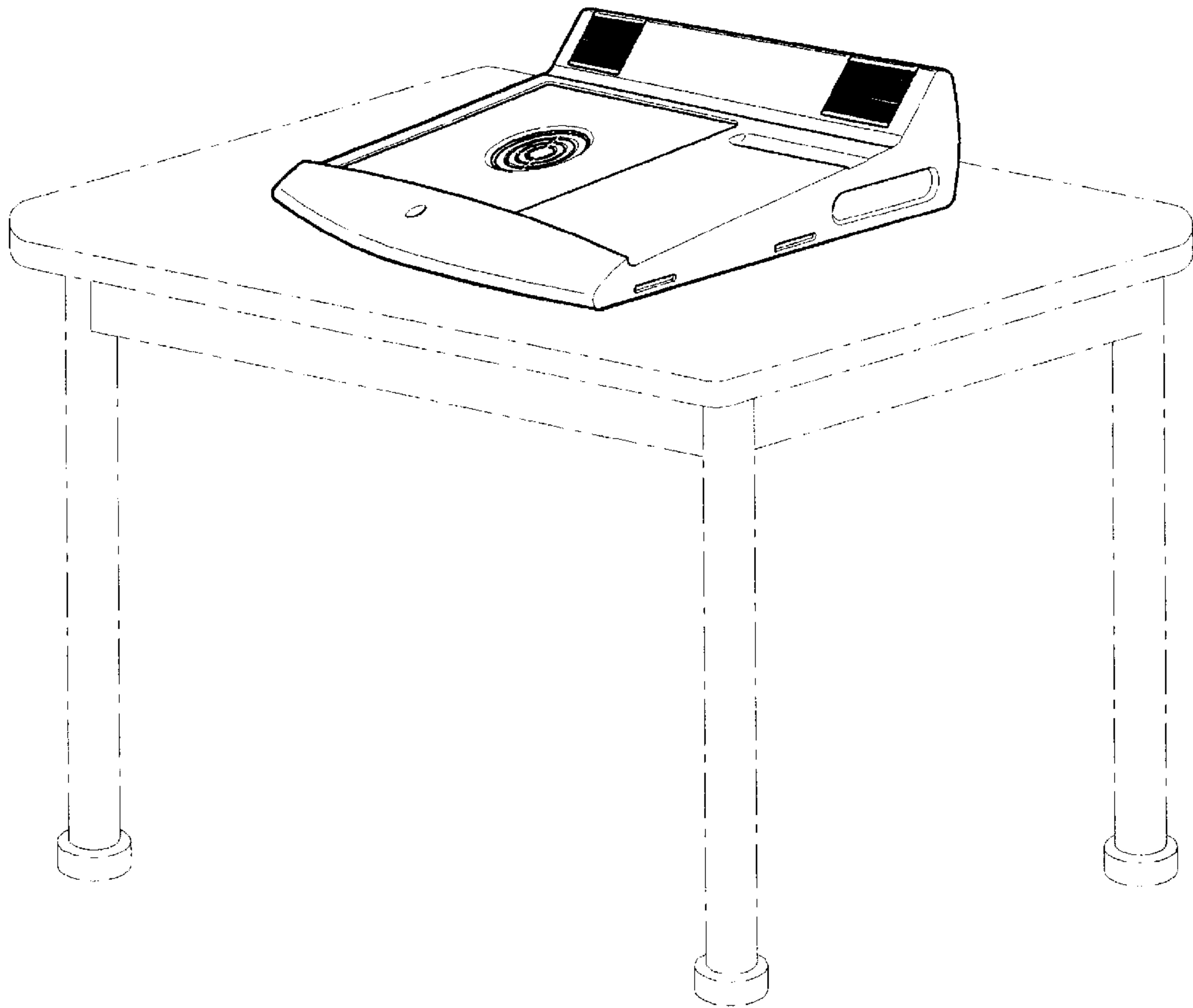


FIG.9



UNITED STATES PATENT AND TRADEMARK OFFICE  
**CERTIFICATE OF CORRECTION**

PATENT NO. : Des. 543,209 S  
APPLICATION NO. : 29/257439  
DATED : May 22, 2007  
INVENTOR(S) : Seok-Hee Bae

Page 1 of 1


It is certified that error appears in the above-identified patent and that said Letters Patent is hereby corrected as shown below:

Title Page.

Item (56) References Cited, U.S. Patent Documents, insert -- D395,871 S \* 7/1998 lino D14/434 --.

Signed and Sealed this

Seventh Day of August, 2007

A handwritten signature in black ink on a light gray dotted background. The signature reads "Jon W. Dudas" in a cursive style.

JON W. DUDAS

*Director of the United States Patent and Trademark Office*