



US00D543208S

(12) **United States Design Patent**  
**Kita**

(10) **Patent No.:** **US D543,208 S**

(45) **Date of Patent:** **\*\* May 22, 2007**

(54) **STAND FOR VIDEO MONITOR**

(75) Inventor: **Toshiyuki Kita**, Kita-ku (JP)

(73) Assignee: **Sharp Kabushiki Kaisha**, Osaka (JP)

(\*\*) Term: **14 Years**

(21) Appl. No.: **29/232,623**

(22) Filed: **Jun. 22, 2005**

(30) **Foreign Application Priority Data**

Dec. 22, 2005 (JP) ..... 2004-039332

(51) **LOC (8) Cl.** ..... **14-02**

(52) **U.S. Cl.** ..... **D14/451**

(58) **Field of Classification Search** ..... D14/126,  
D14/134, 224, 238, 239, 251, 316, 366, 374-7,  
D14/432, 439, 447-8, 451, 452, 457, 469;  
D6/396, 449, 474, 512, 574; D7/501; 248/125.1-125.2,  
248/158, 176.1, 242, 278.1, 346.01, 346.02,  
248/441.1, 442.2, 447.2, 452, 455, 458, 639,  
248/676, 917, 919-23; 312/223.3; 348/825,  
348/830; 361/681, 686; 400/714

See application file for complete search history.

(56) **References Cited**

**U.S. PATENT DOCUMENTS**

D427,169 S	6/2000	Saeki et al.
D429,227 S	8/2000	Shimizu
D431,537 S	10/2000	Saeki et al.
D438,848 S	3/2001	Kita
D439,224 S	3/2001	Kita
D439,225 S	3/2001	Kita
D453,747 S	2/2002	Kita
D453,748 S	2/2002	Kita
D456,370 S	4/2002	Kita
D458,910 S	6/2002	Kita
D462,353 S	9/2002	Kita

D492,269 S	6/2004	Kita	
D496,915 S	10/2004	Kita	
D497,351 S	10/2004	Kita	
D497,599 S	10/2004	Kita	
D499,076 S	11/2004	Kita	
D501,186 S	1/2005	Kita	
D501,654 S	2/2005	Kita	
D502,451 S	3/2005	Kita	
D502,931 S	3/2005	Kita	
D505,123 S	5/2005	Kita	
D505,403 S	5/2005	Kita	
D512,387 S	* 12/2005	Kita	..... D14/126
2004/0130859 A1	* 7/2004	Helot et al.	..... 361/681

**OTHER PUBLICATIONS**

U.S. Appl. No. 29/207,659, filed Jun. 2004, Kita.  
U.S. Appl. No. 29/207,660, filed Jun. 2004, Kita.  
U.S. Appl. No. 29/206,962, filed Jun. 2004, Kita.

\* cited by examiner

*Primary Examiner*—Alan P. Douglas  
*Assistant Examiner*—Angela J. Lee  
(74) *Attorney, Agent, or Firm*—Nixon & Vanderhye, PC

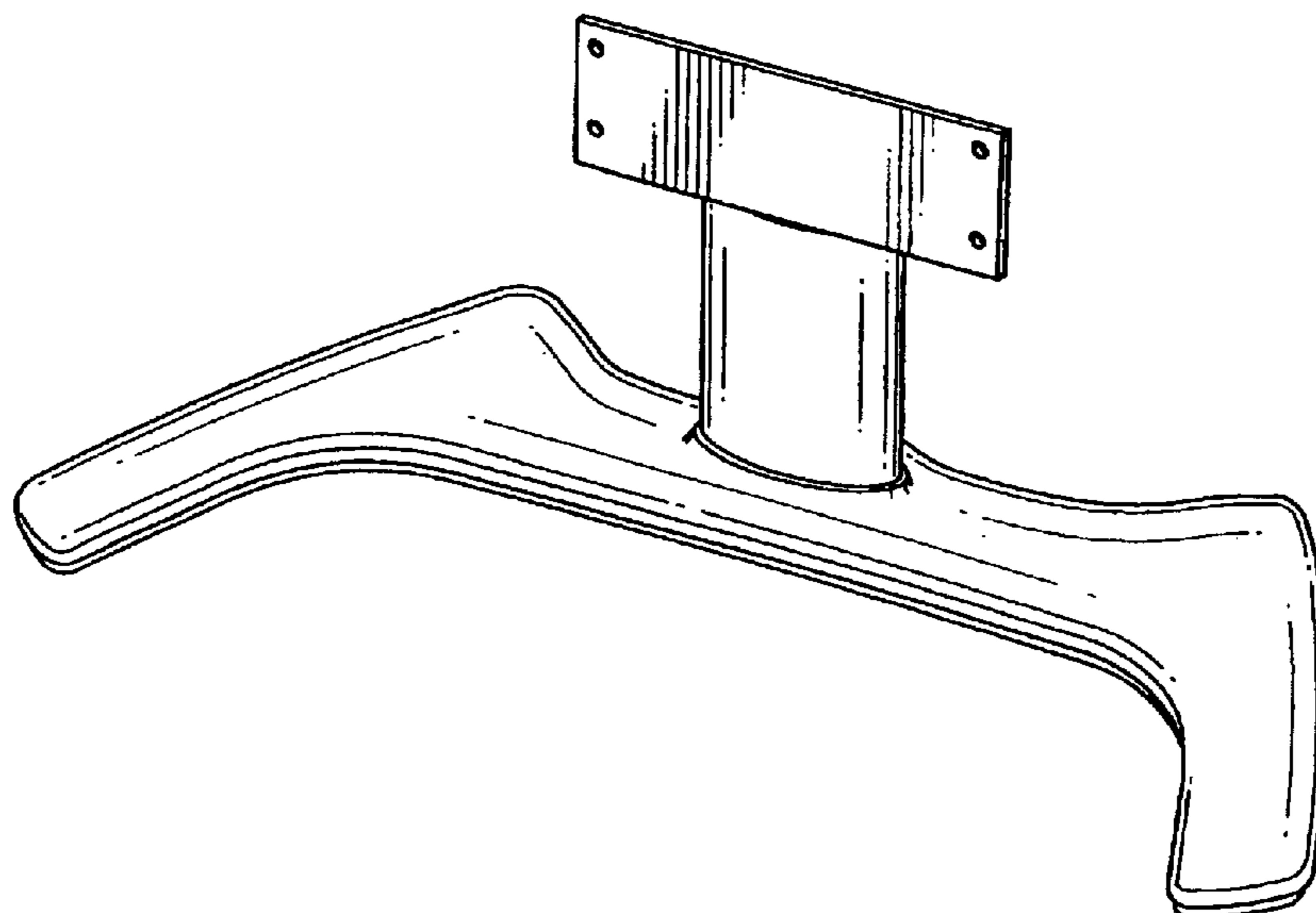
(57) **CLAIM**

The ornamental design for a “stand for video monitor,” as shown and described.

**DESCRIPTION**

FIG. 1 is a top, front and right side perspective view of a stand for video monitor according to my design; FIG. 2 is a front elevational view thereof; FIG. 3 is a rear elevational view thereof; FIG. 4 is a right side elevational view thereof, the left side elevation view being a mirror image thereof; FIG. 5 is a top plan view thereof; and, FIG. 6 is a bottom plan view thereof.

**1 Claim, 4 Drawing Sheets**



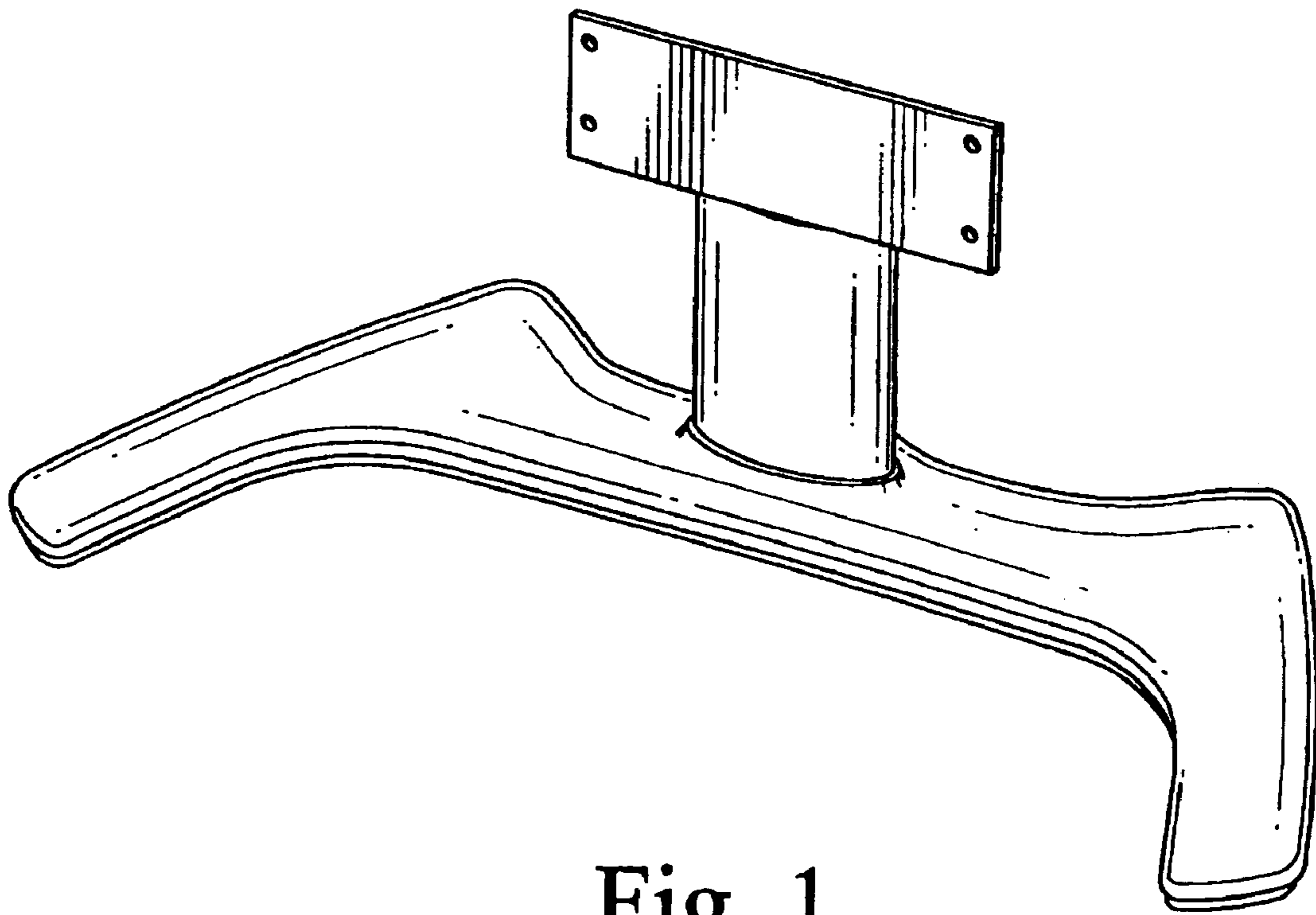


Fig. 1

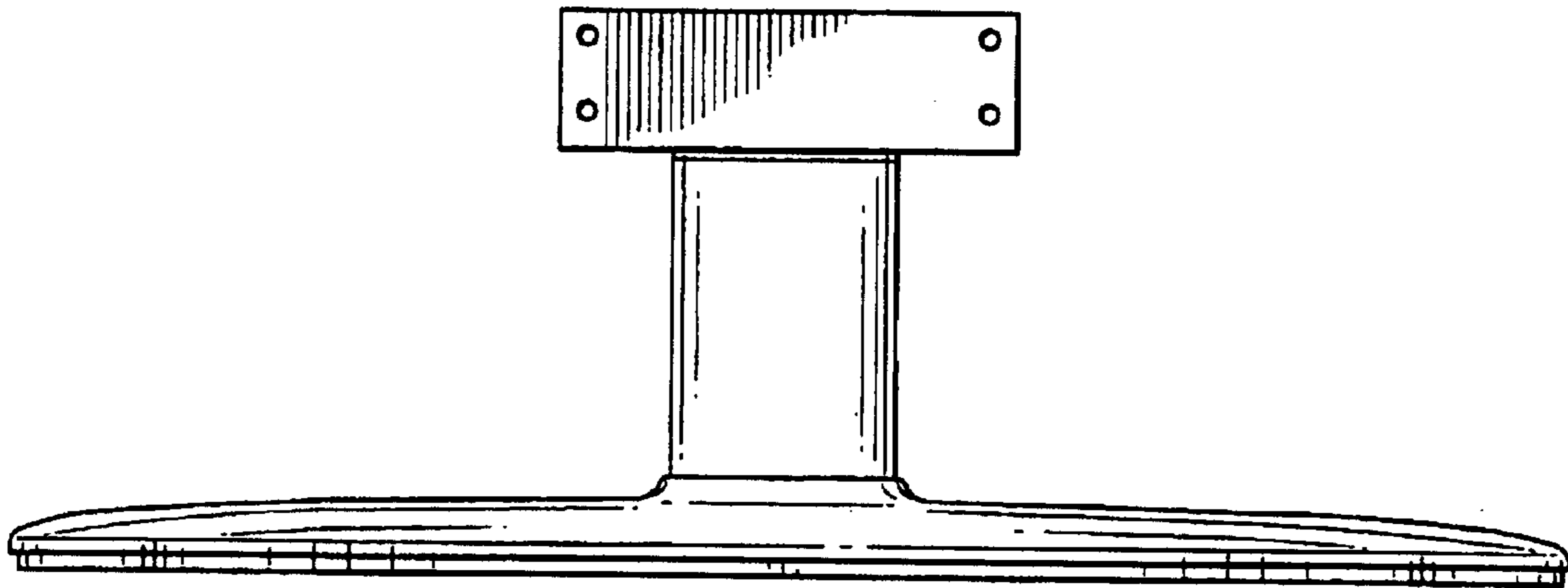


Fig. 2

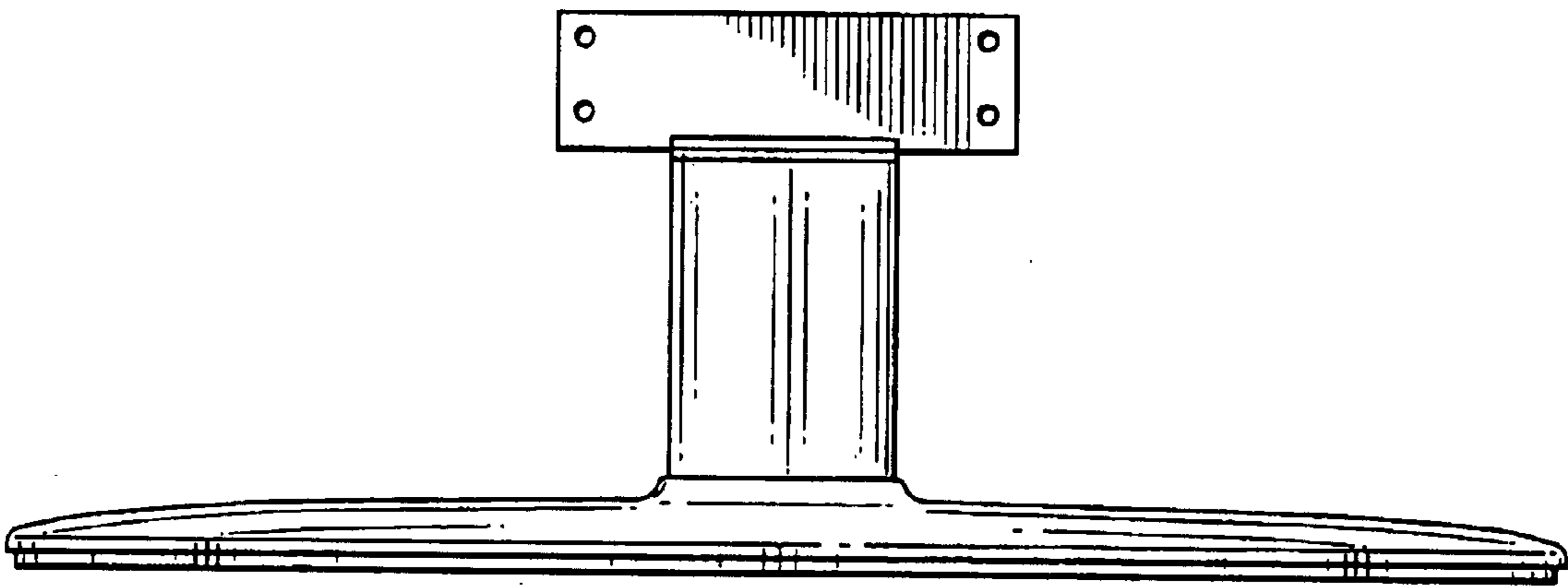


Fig. 3

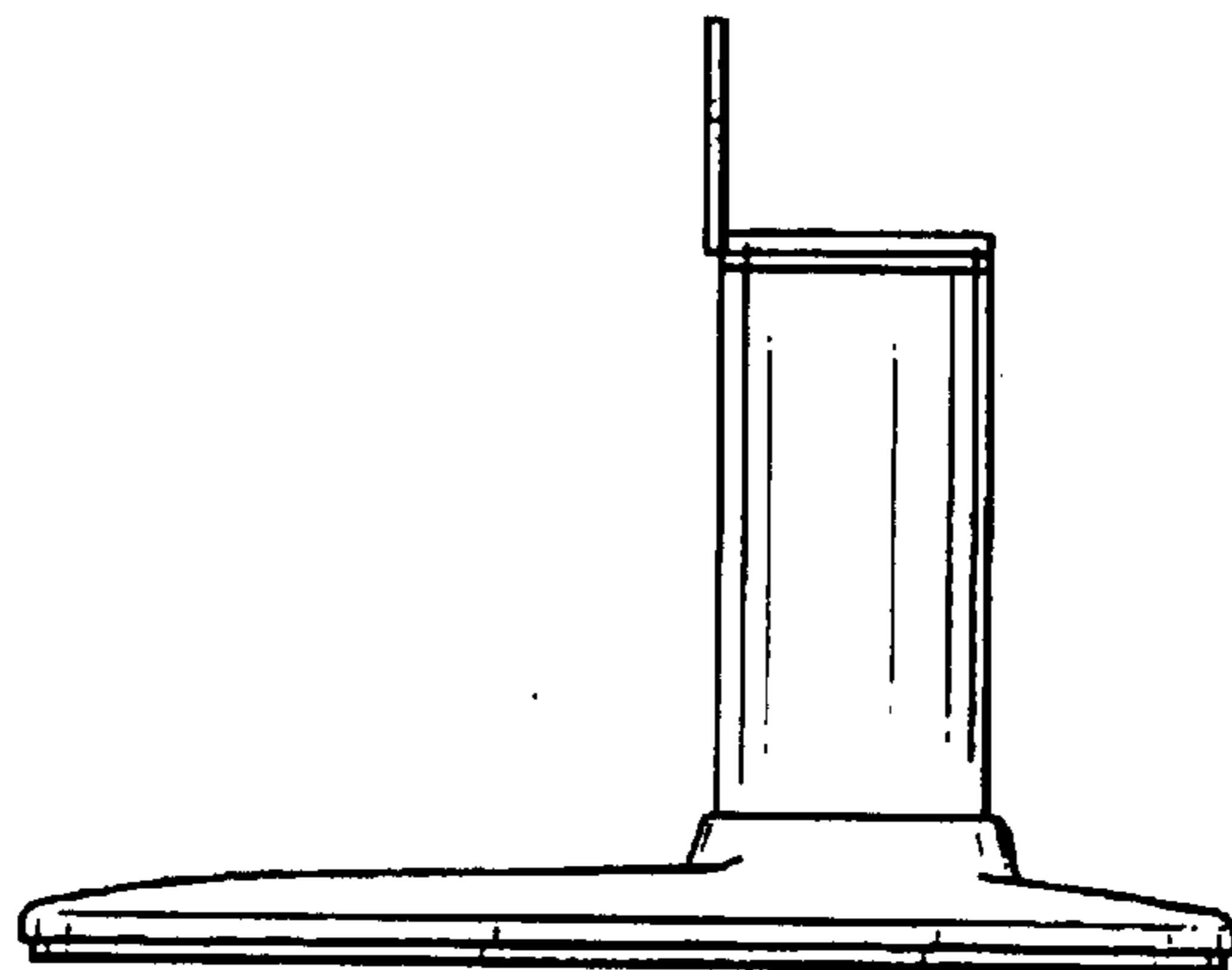


Fig. 4

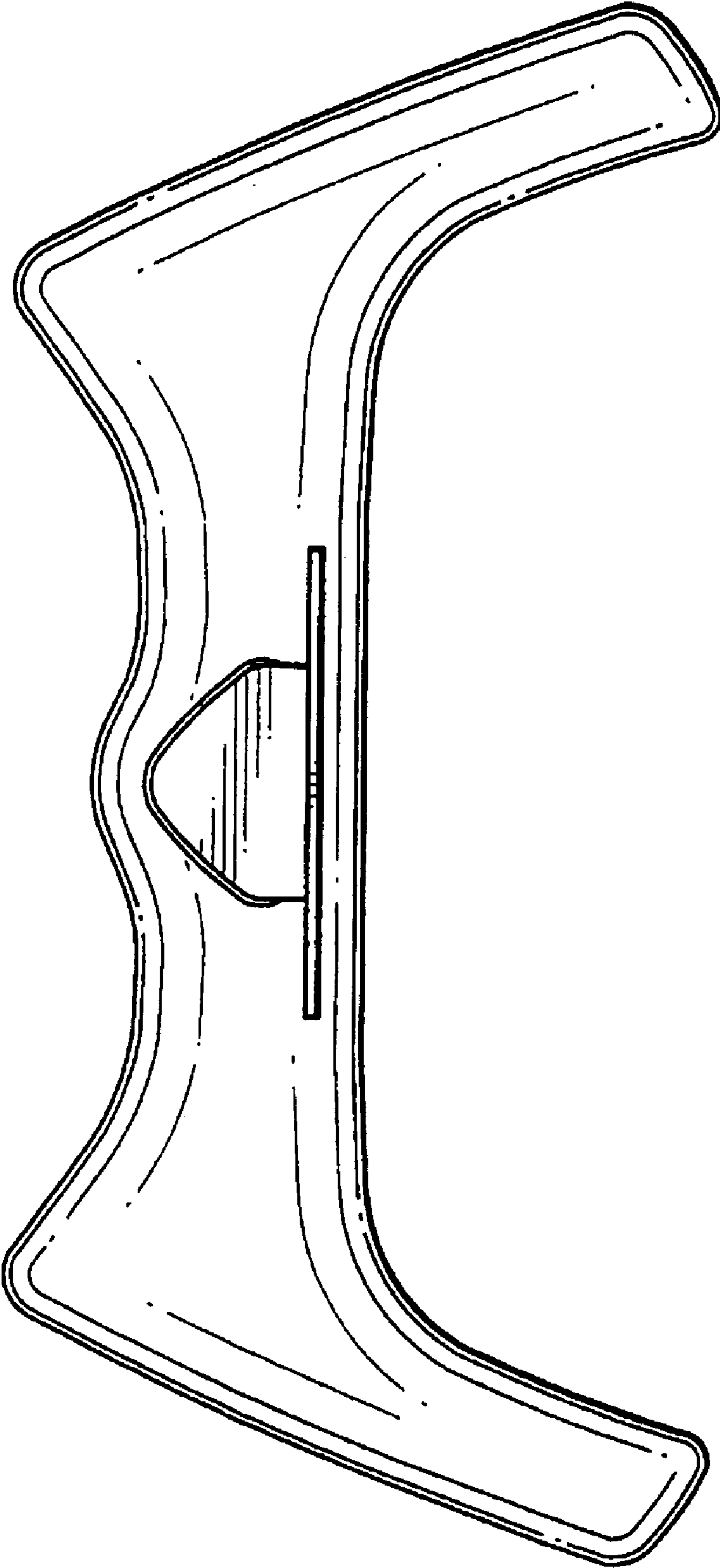


Fig. 5

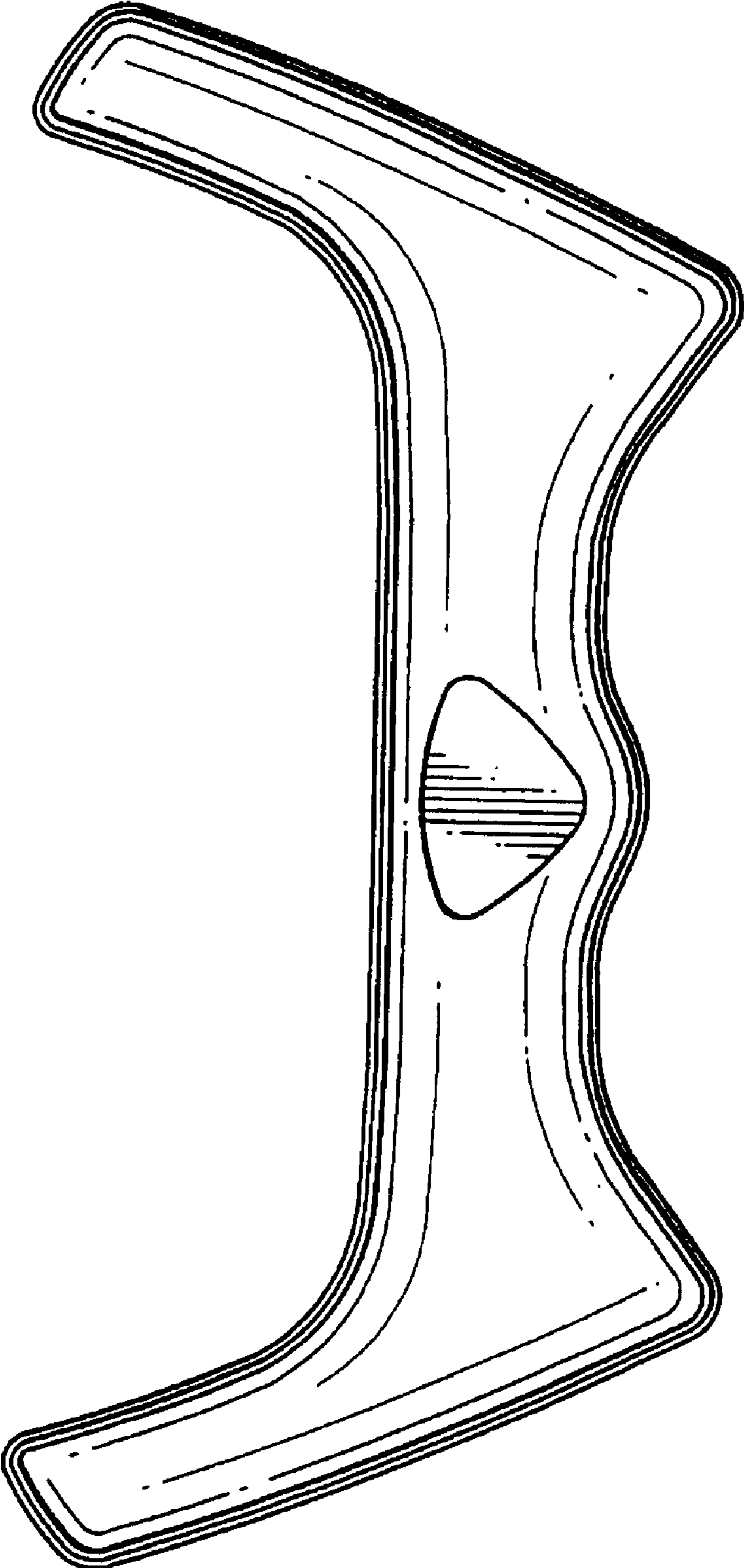


Fig. 6

UNITED STATES PATENT AND TRADEMARK OFFICE  
**CERTIFICATE OF CORRECTION**

PATENT NO. : Des. 543,208 S  
APPLICATION NO. : 29/232623  
DATED : May 22, 2007  
INVENTOR(S) : Toshiyuki Kita

Page 1 of 1

It is certified that error appears in the above-identified patent and that said Letters Patent is hereby corrected as shown below:

Title page, item (30) Foreign Appl. Priority Data please change "Dec. 22, 2005" to --Dec. 22, 2004--.

Signed and Sealed this

Eighteenth Day of September, 2007

A handwritten signature in black ink on a light gray dotted background. The signature reads "Jon W. Dudas" in a cursive style.

JON W. DUDAS

*Director of the United States Patent and Trademark Office*