



US00D543206S

(12) **United States Design Patent**
Maruyama et al.

(10) **Patent No.: US D543,206 S**

(45) **Date of Patent: ** *May 22, 2007**

(54) **HOUSING FOR A STORAGE DEVICE**

(75) Inventors: **Yukinobu Maruyama**, Kokubunji (JP);
Keiichi Ochi, Kanagawa (JP);
Masayuki Ohki, Kokubunji (JP);
Tadaaki Tomikawa, Yokohama (JP)

(73) Assignee: **Hitachi Global Storage Technologies**
Netherlands B.V., Amsterdam (NL)

(*) Notice: This patent is subject to a terminal disclaimer.

(**) Term: **14 Years**

(21) Appl. No.: **29/226,821**

(22) Filed: **Apr. 1, 2005**

(30) **Foreign Application Priority Data**

Oct. 1, 2004 (JP) 2004-029844

(51) **LOC (8) Cl.** **14-03**

(52) **U.S. Cl.** **D14/435; D14/475; D14/481;**
D21/332

(58) **Field of Classification Search** D14/474,
D14/475, 478, 481, 483, 335, 496; D21/332,
D21/333; 463/42-47; 206/307, 308.1; 242/348-348.4;
360/132-134; 369/272, 273
See application file for complete search history.

(56) **References Cited**

U.S. PATENT DOCUMENTS

D236,900 S * 9/1975 Larsen D14/475

4,608,617 A *	8/1986	Oishi et al.	360/133
5,610,789 A *	3/1997	Miller	360/132
5,653,638 A *	8/1997	Nagata	463/44
5,681,002 A *	10/1997	Kikuchi	242/347
D393,454 S *	4/1998	Cruden et al.	D14/475
5,809,520 A *	9/1998	Edwards et al.	711/115
5,868,338 A *	2/1999	Martin et al.	242/348
6,267,678 B1 *	7/2001	Kubo et al.	463/44
D465,786 S *	11/2002	Hoge et al.	D14/475
D474,191 S *	5/2003	Nakayama	D14/475
D486,154 S *	2/2004	Nishio et al.	D14/474
D491,564 S *	6/2004	Chaney et al.	D14/435

* cited by examiner

Primary Examiner—Prabhakar Deshmukh

(74) *Attorney, Agent, or Firm*—Rambod Nader

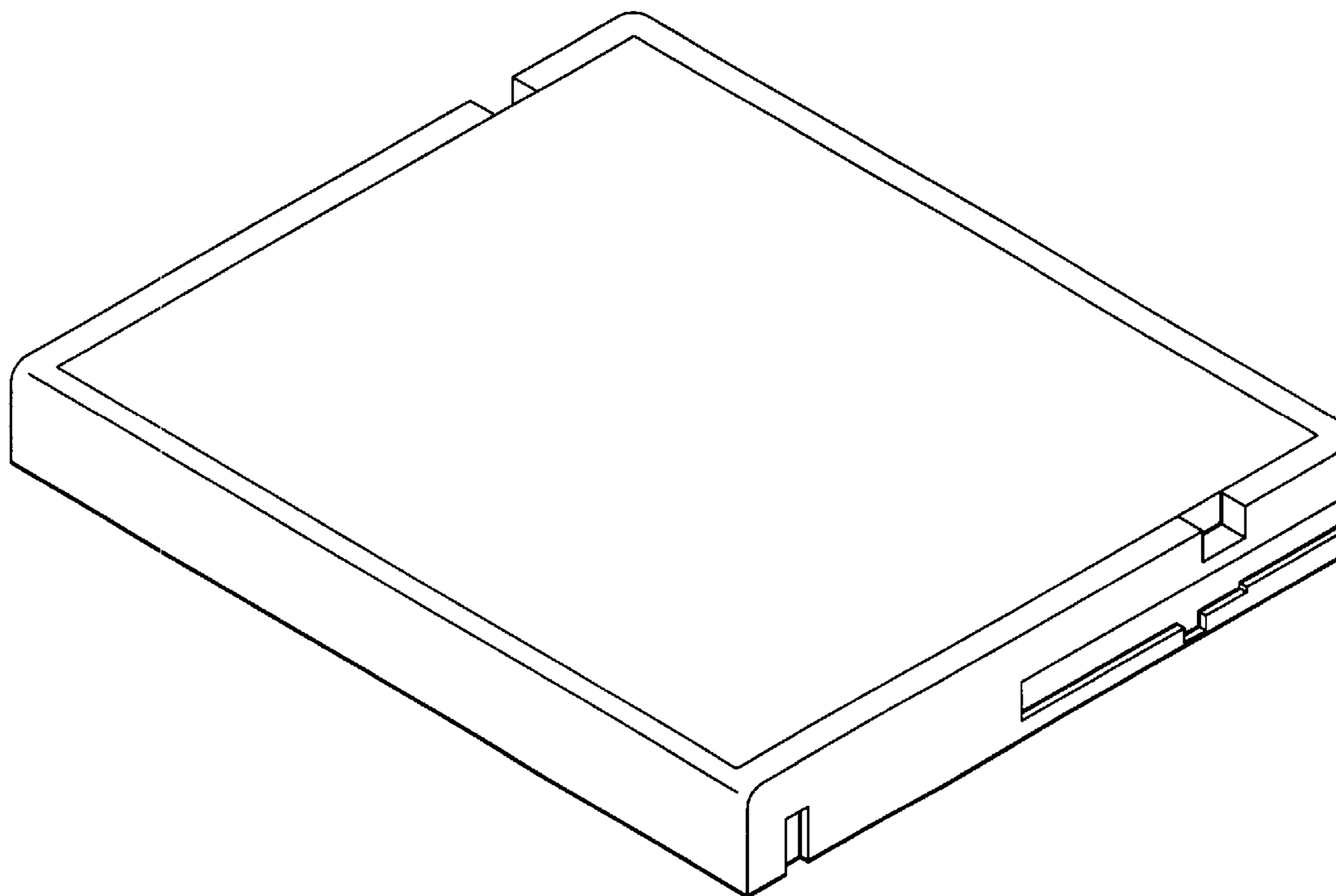
(57) **CLAIM**

The ornamental design for a housing for a storage device, as shown.

DESCRIPTION

FIG. 1 is a front, right and top perspective view of a housing for a storage device showing our new design;
FIG. 2 is a top plan view thereof;
FIG. 3 is a right side elevational view thereof;
FIG. 4 is a left side elevational view thereof;
FIG. 5 is a rear elevational view thereof;
FIG. 6 is a front elevational view thereof;
FIG. 7 is a bottom plan view thereof; and,
FIG. 8 is a sectional view thereof, taken along line 8—8 of FIG. 2.

1 Claim, 8 Drawing Sheets



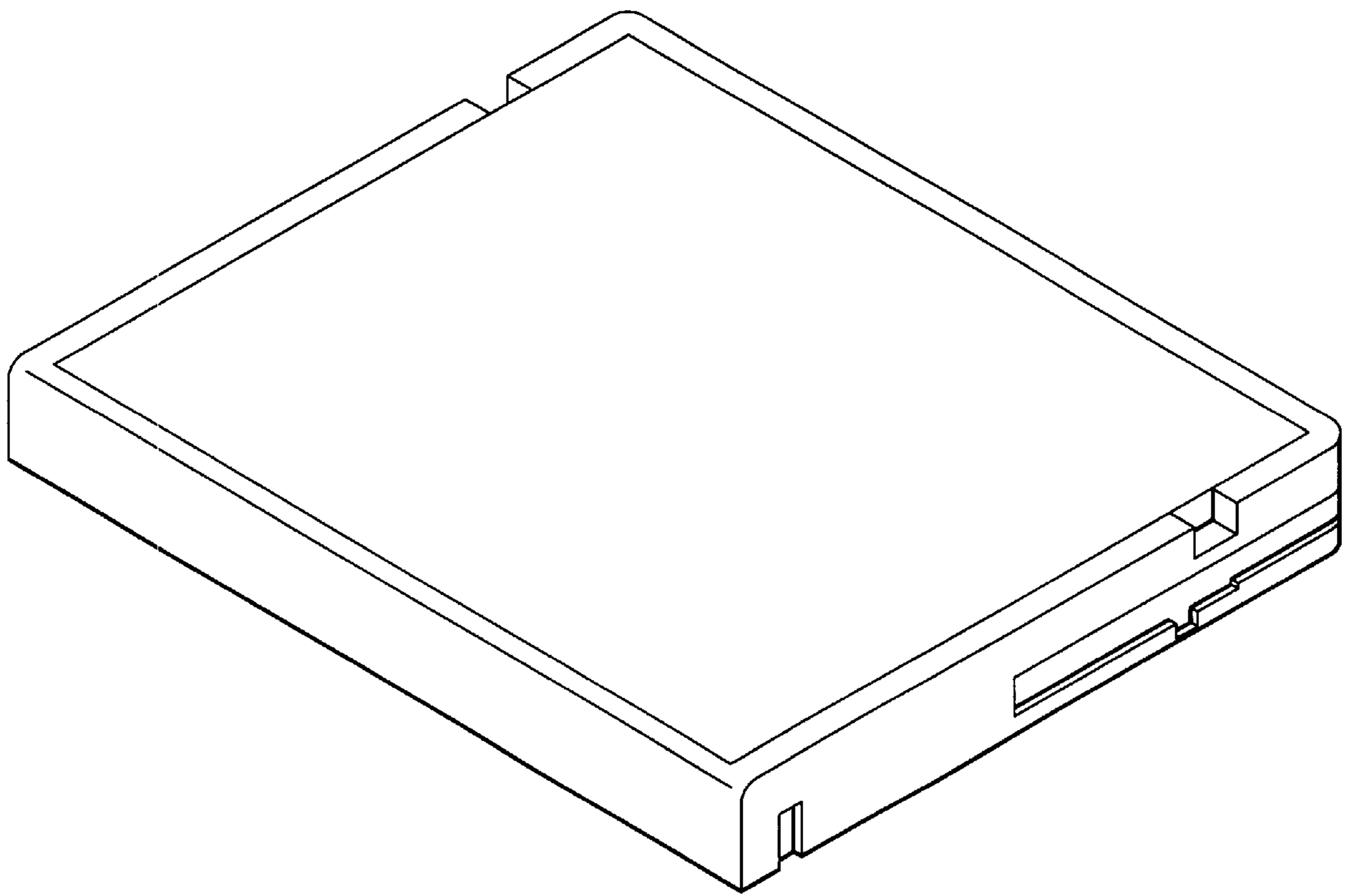


FIG. 1

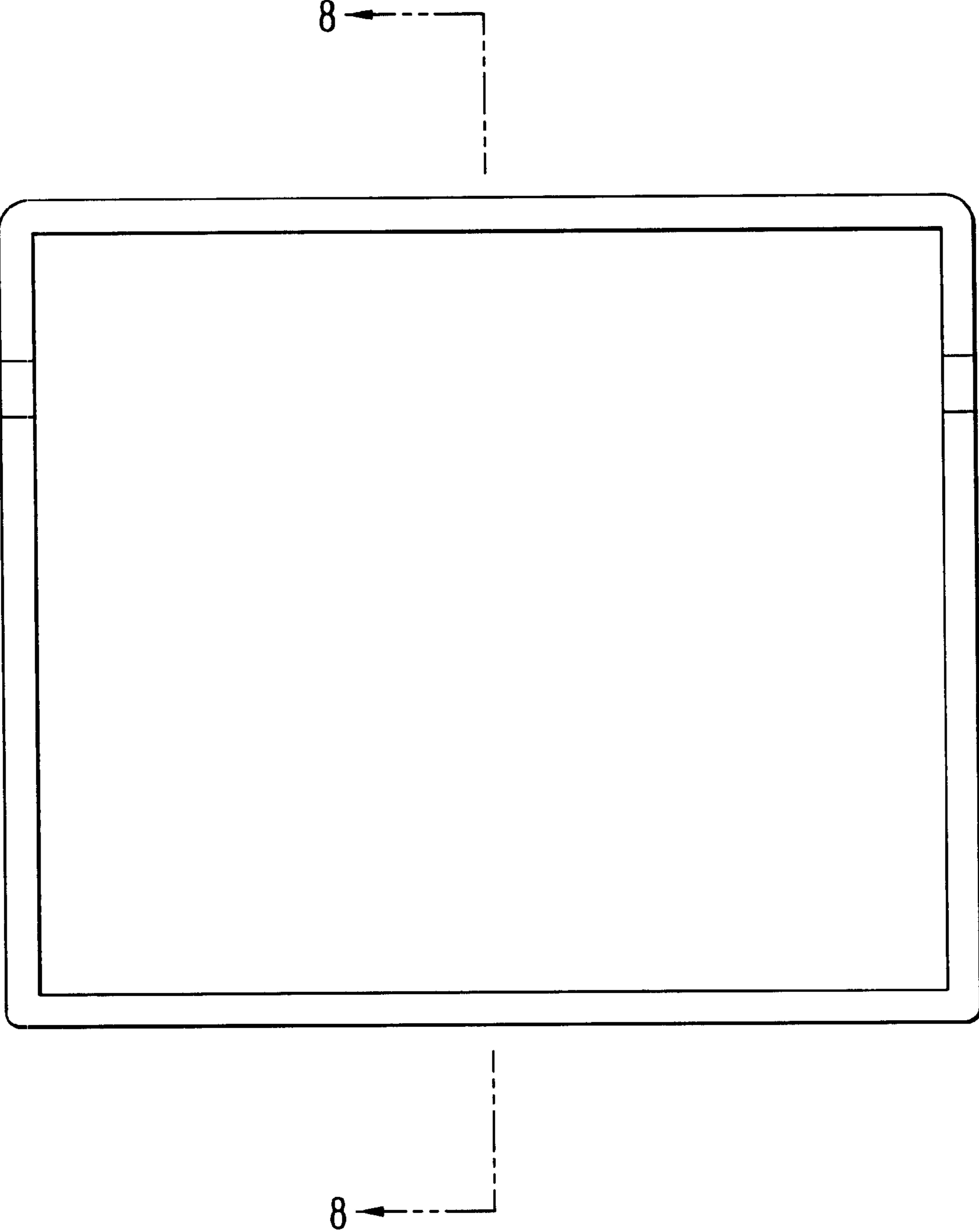


FIG. 2

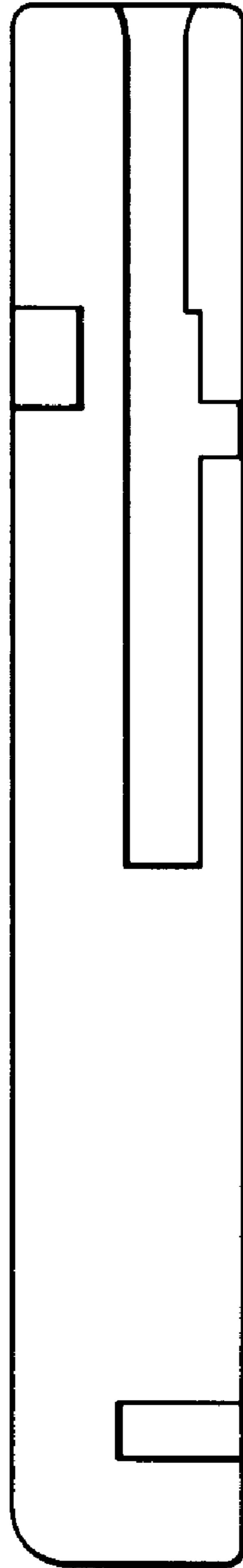


FIG. 3

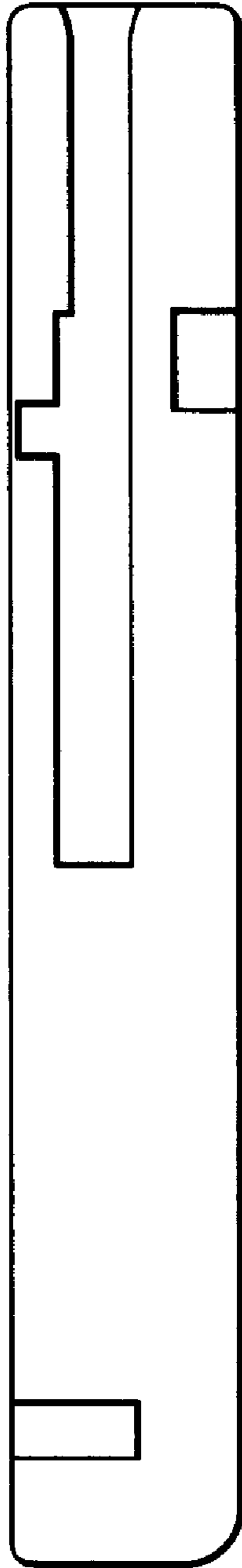


FIG. 4

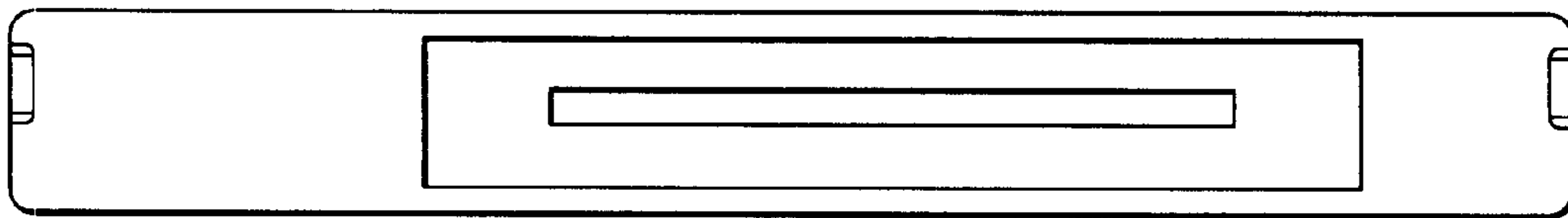


FIG. 5

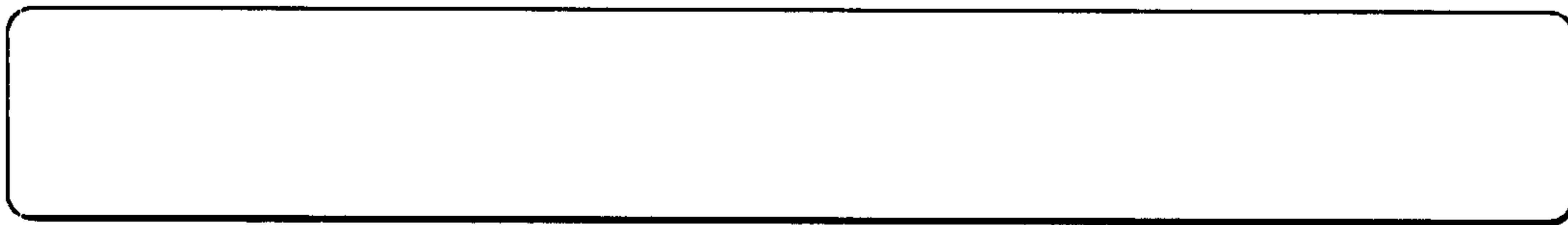


FIG. 6

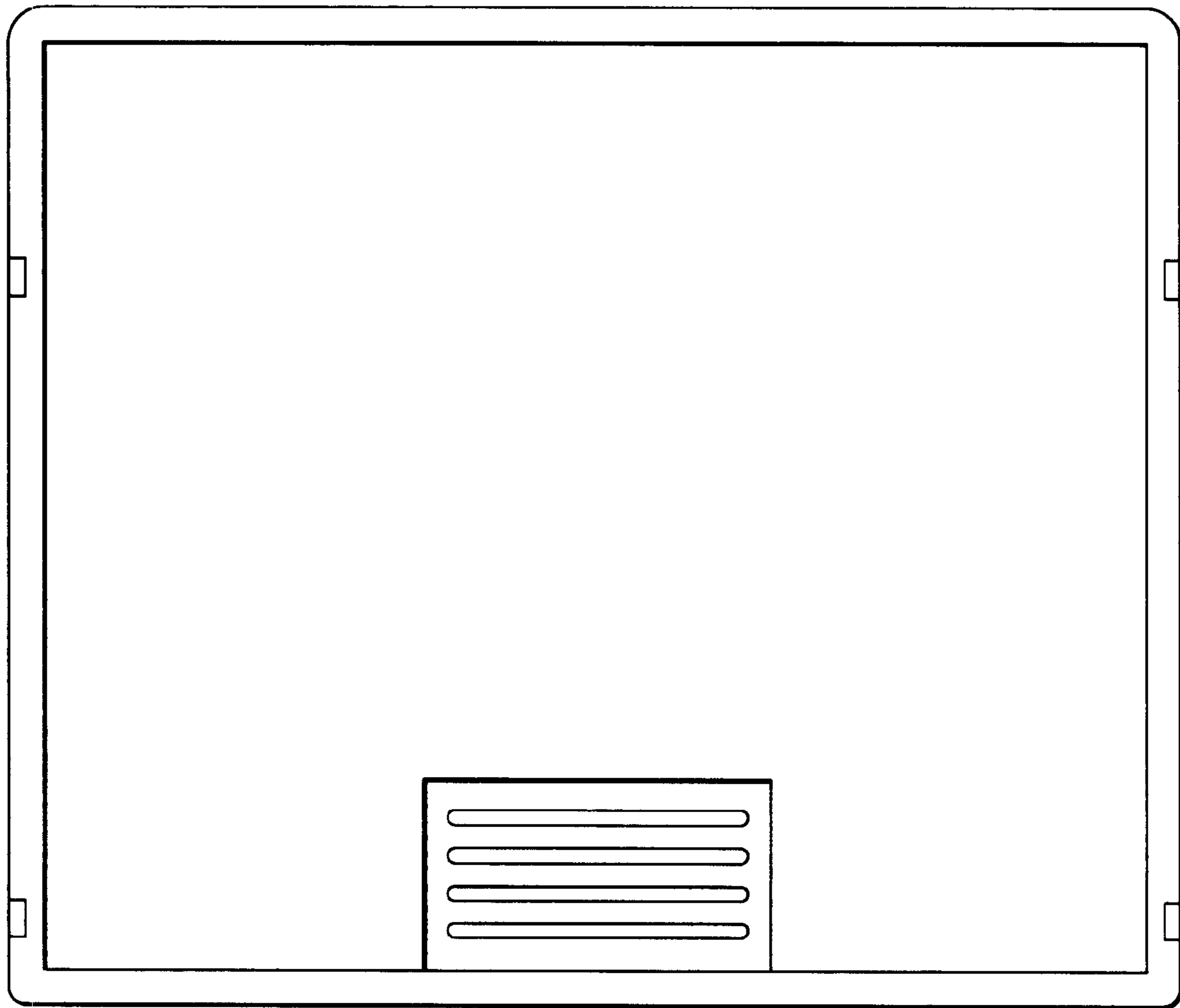


FIG. 7

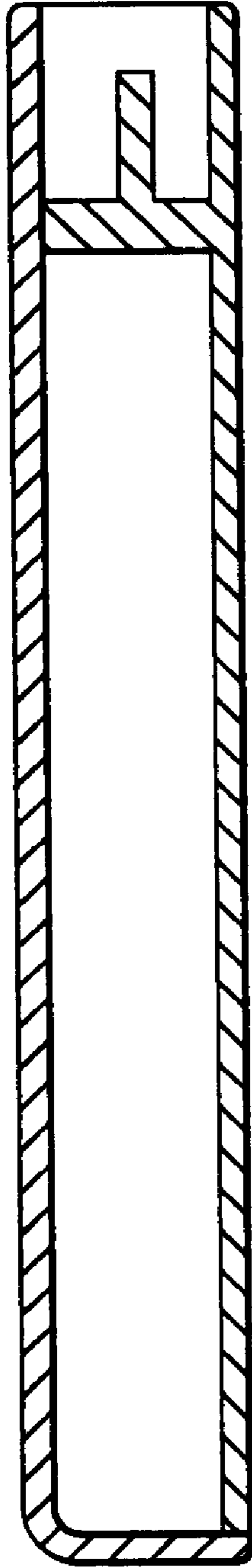


FIG. 8