



US00D543204S

(12) **United States Design Patent**  
**Yoshino et al.**

(10) **Patent No.:** **US D543,204 S**

(45) **Date of Patent:** **\*\* May 22, 2007**

(54) **OPTICAL DISC DRIVING DEVICE**

(75) Inventors: **Shigeru Yoshino**, Atsugi (JP); **Takashi Sato**, Atsugi (JP)

(73) Assignee: **Mitsumi Electric Co., Ltd.**, Tokyo (JP)

(\*\*) Term: **14 Years**

(21) Appl. No.: **29/219,629**

(22) Filed: **Dec. 21, 2004**

(30) **Foreign Application Priority Data**

Jun. 29, 2004 (JP) ..... 2004-019384

(51) **LOC (8) Cl.** ..... **14-02**

(52) **U.S. Cl.** ..... **D14/367**

(58) **Field of Classification Search** ..... D14/242,  
D14/496, 125, 240, 135-6, 167, 300-2, 314,  
D14/341, 356-8, 362-70, 383, 385, 348,  
D14/353, 156; 369/12, 44.11, 44.14, 44.15,  
369/247.1, 248, 251, 254, 291.1

See application file for complete search history.

(56) **References Cited**

**U.S. PATENT DOCUMENTS**

- D249,346 S \* 9/1978 Chou et al. .... D14/367
- D288,558 S \* 3/1987 Takemura et al. .... D14/136
- 5,218,585 A \* 6/1993 Aviles et al. .... 369/44.14
- D350,340 S \* 9/1994 Inayama et al. .... D14/367
- D385,883 S \* 11/1997 Takashina et al. .... D14/367

- D389,150 S \* 1/1998 Tanaka ..... D14/367
- D389,470 S \* 1/1998 Schick et al. .... D14/367
- 5,930,221 A \* 7/1999 Kumita ..... 369/44.14
- 6,693,870 B2 \* 2/2004 Koga et al. .... 369/44.14
- D490,425 S \* 5/2004 Nishio et al. .... D14/367
- D493,171 S \* 7/2004 Nishio et al. .... D14/367
- D497,164 S \* 10/2004 Wang ..... D14/366
- 2004/0246830 A1 \* 12/2004 Bao ..... 369/44.14

\* cited by examiner

*Primary Examiner*—Robin Webster

*Assistant Examiner*—Karen E. Patterson

(74) *Attorney, Agent, or Firm*—Sughrue Mion, PLLC

(57) **CLAIM**

The ornamental design for an optical disc driving device, as shown.

**DESCRIPTION**

FIG. 1 is a perspective view of the front, top and right sides of an optical disc driving device showing our new design; FIG. 2 is a front elevational view thereof; FIG. 3 is a rear elevational view thereof; FIG. 4 is a top plan view thereof; FIG. 5 is a bottom plan view thereof; FIG. 6 is a right side elevational view thereof; FIG. 7 is a left side elevational view thereof; and, FIG. 8 is a perspective view of the front, bottom and left sides thereof.

**1 Claim, 3 Drawing Sheets**

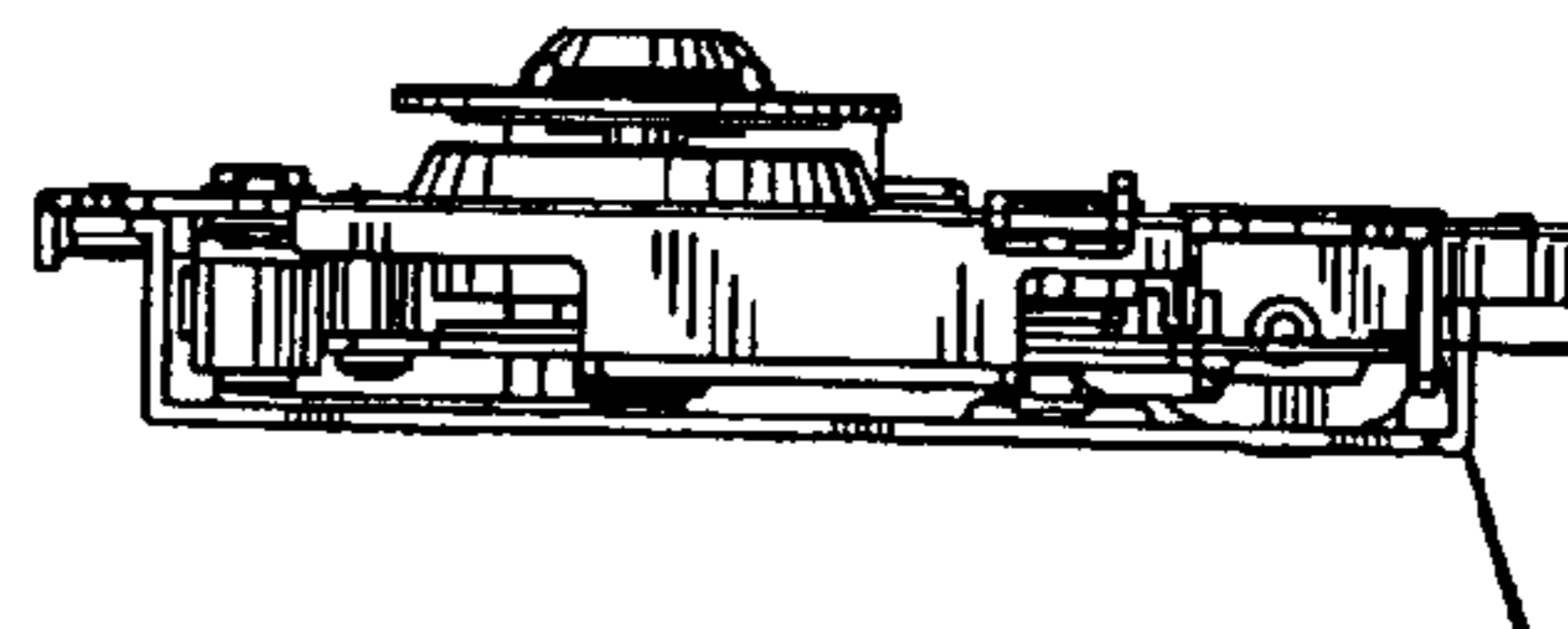
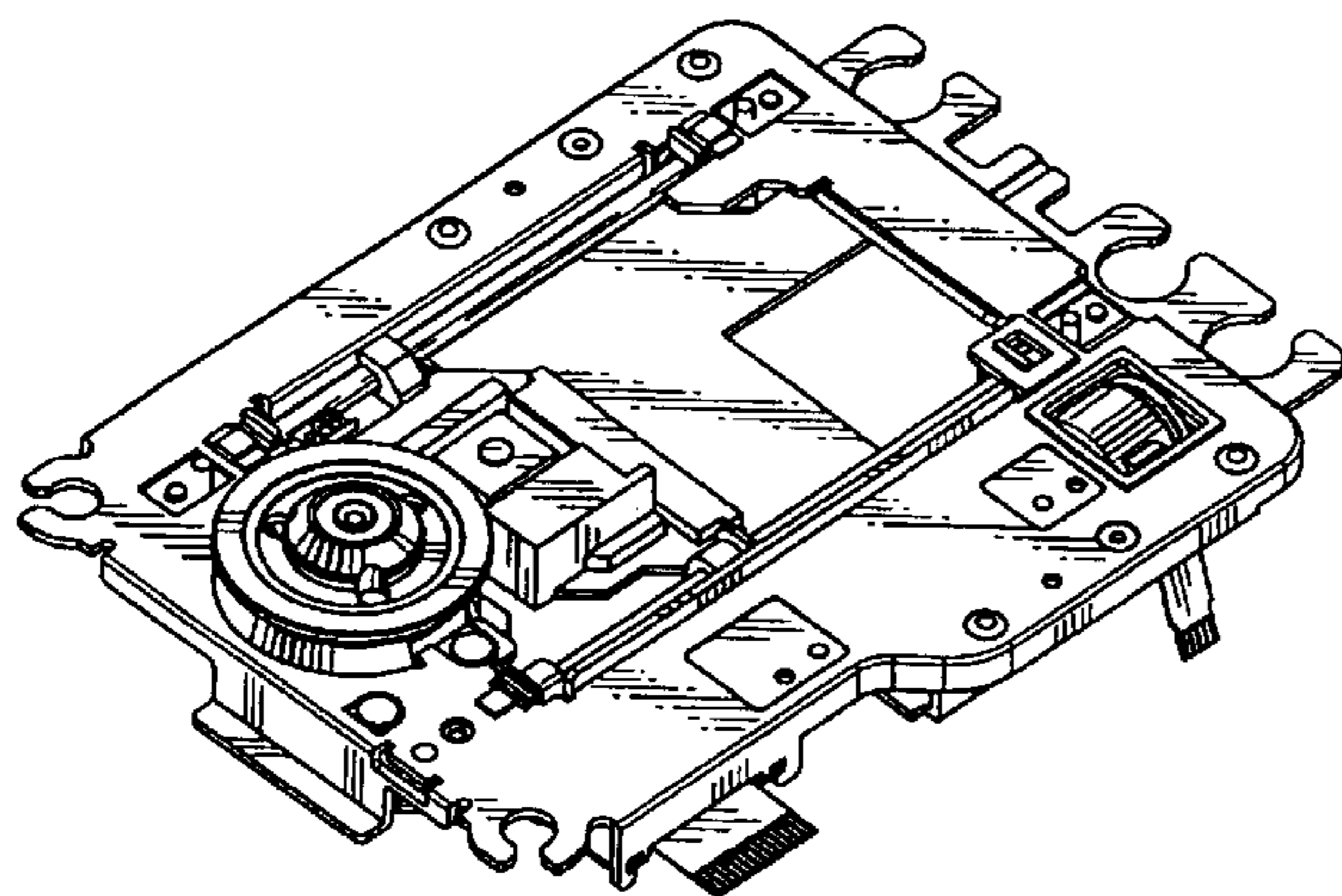


FIG.1

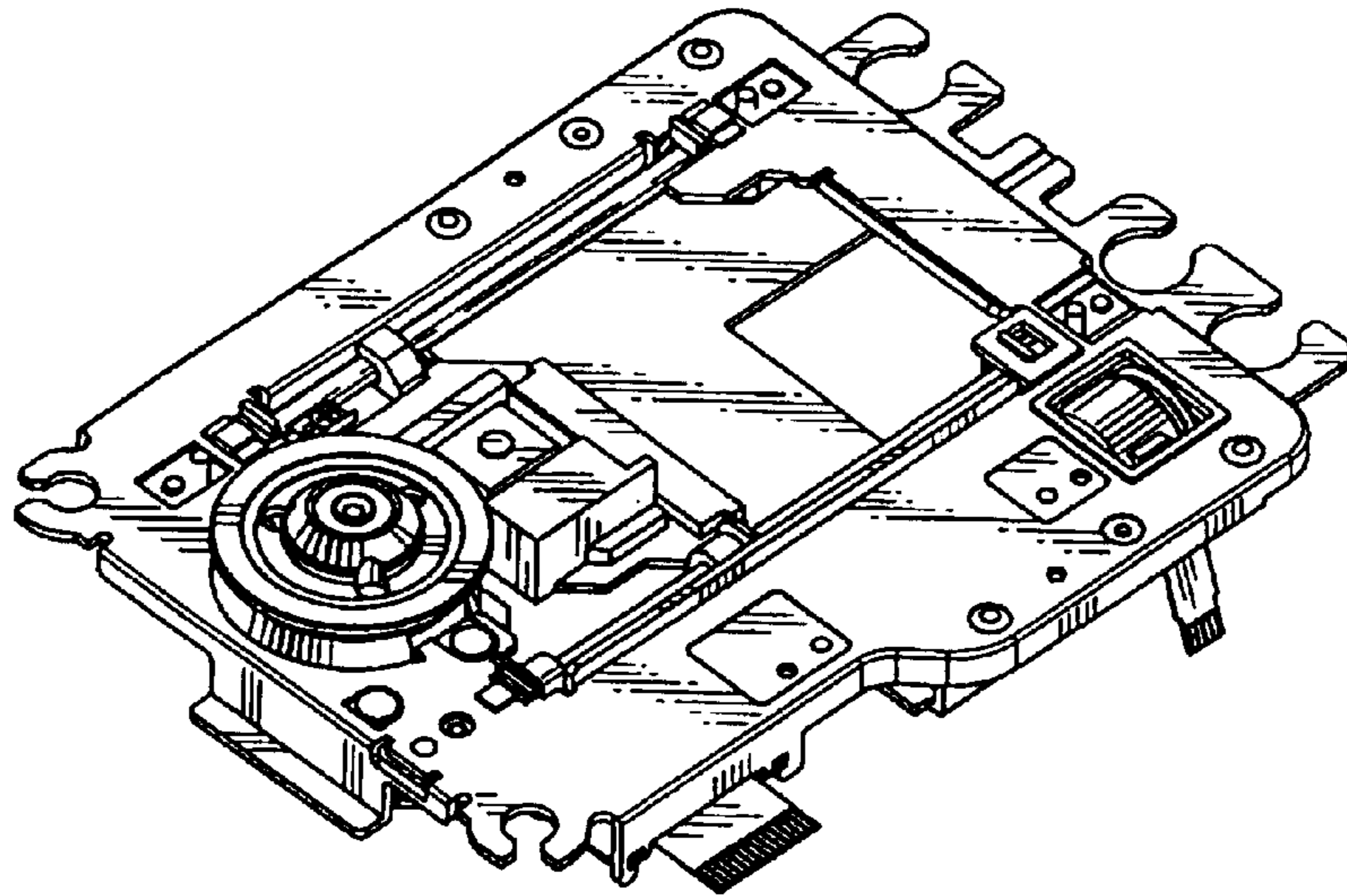


FIG.2

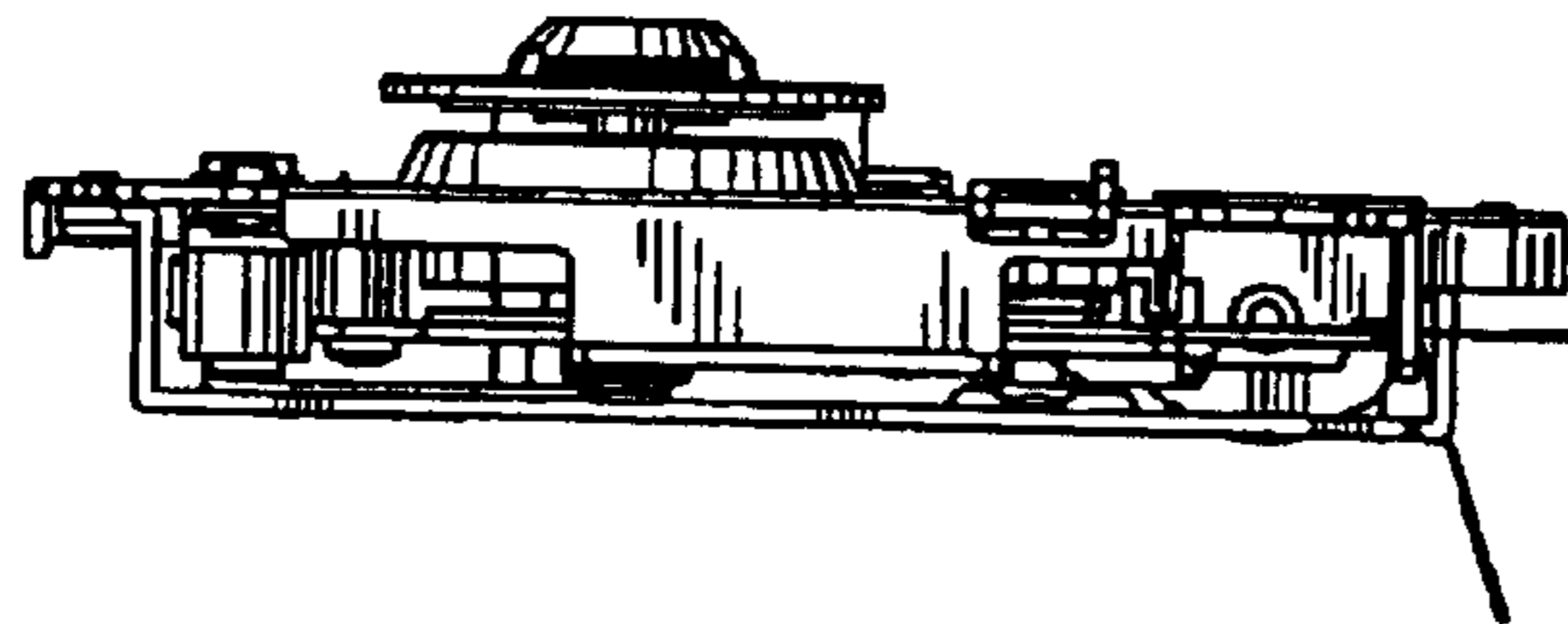


FIG.3

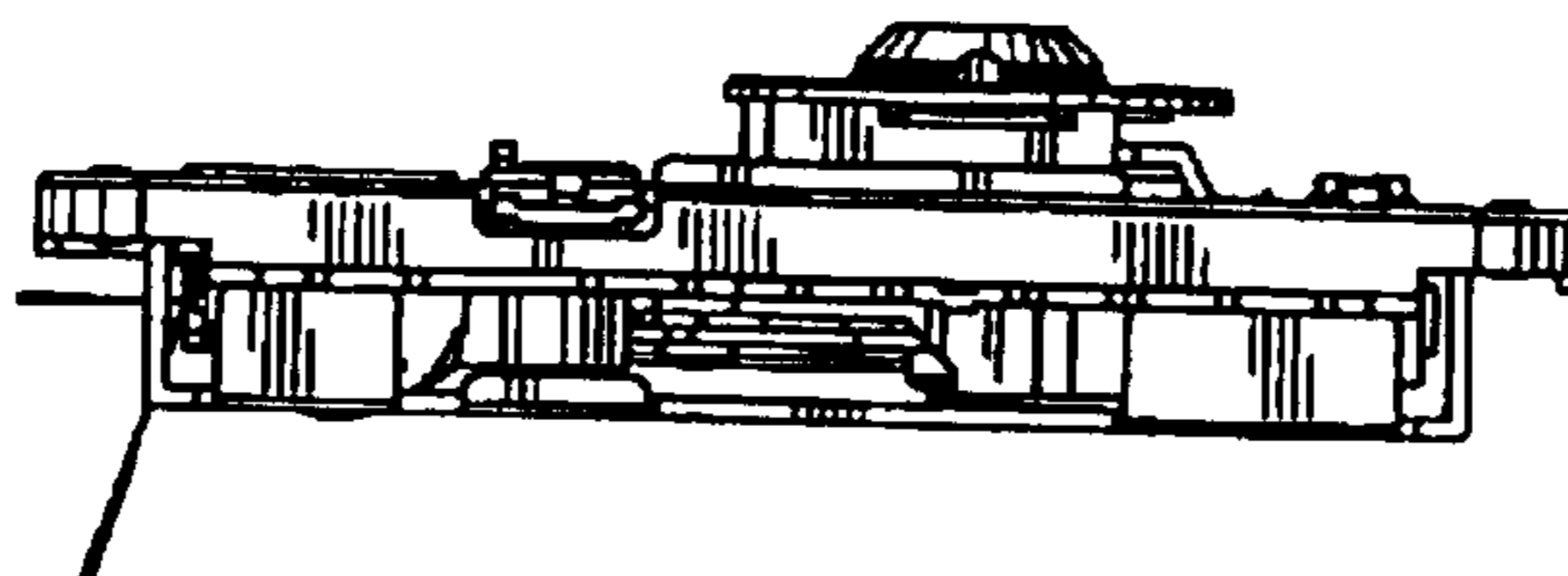


FIG.4

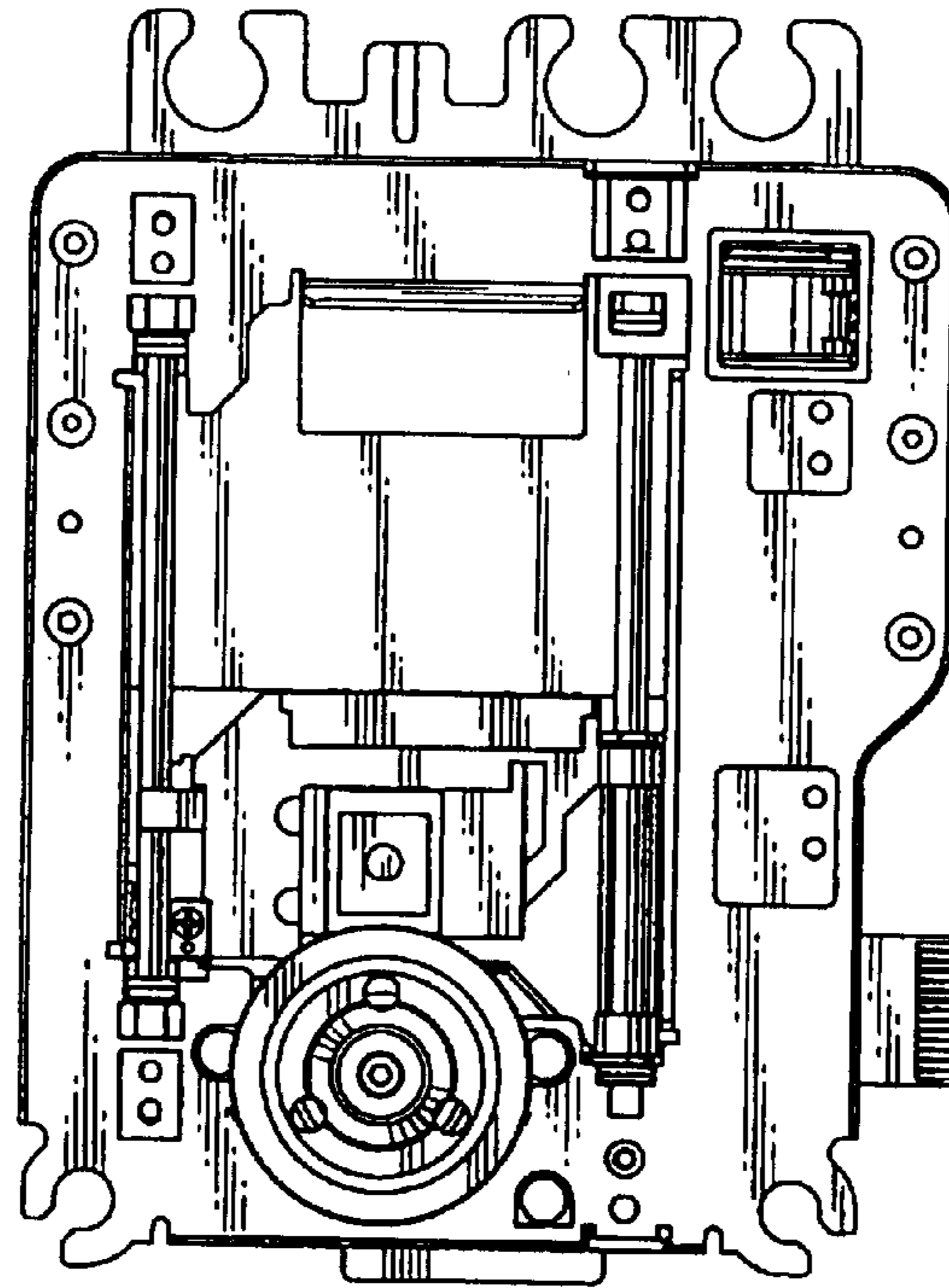


FIG.5

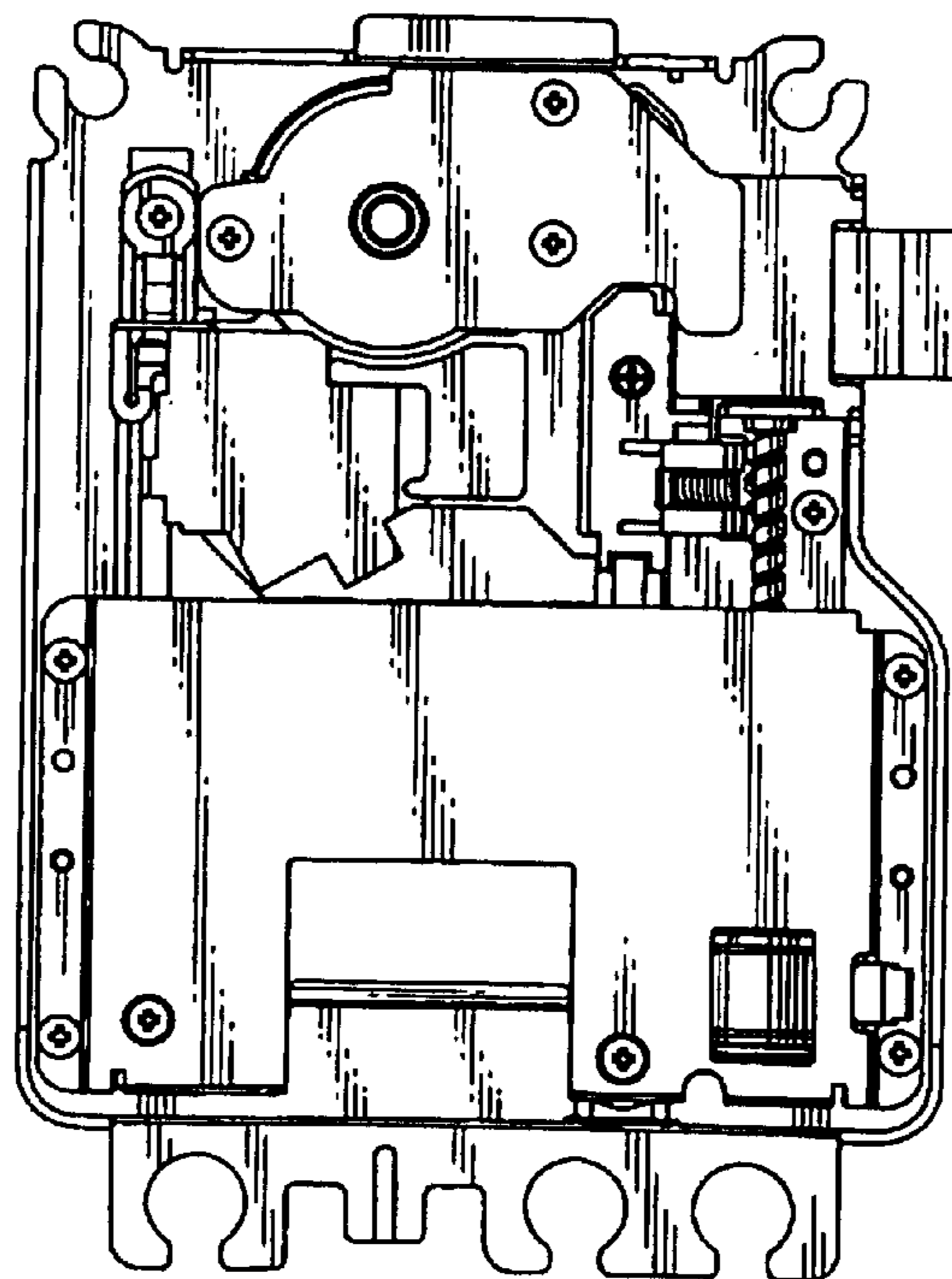


FIG.6

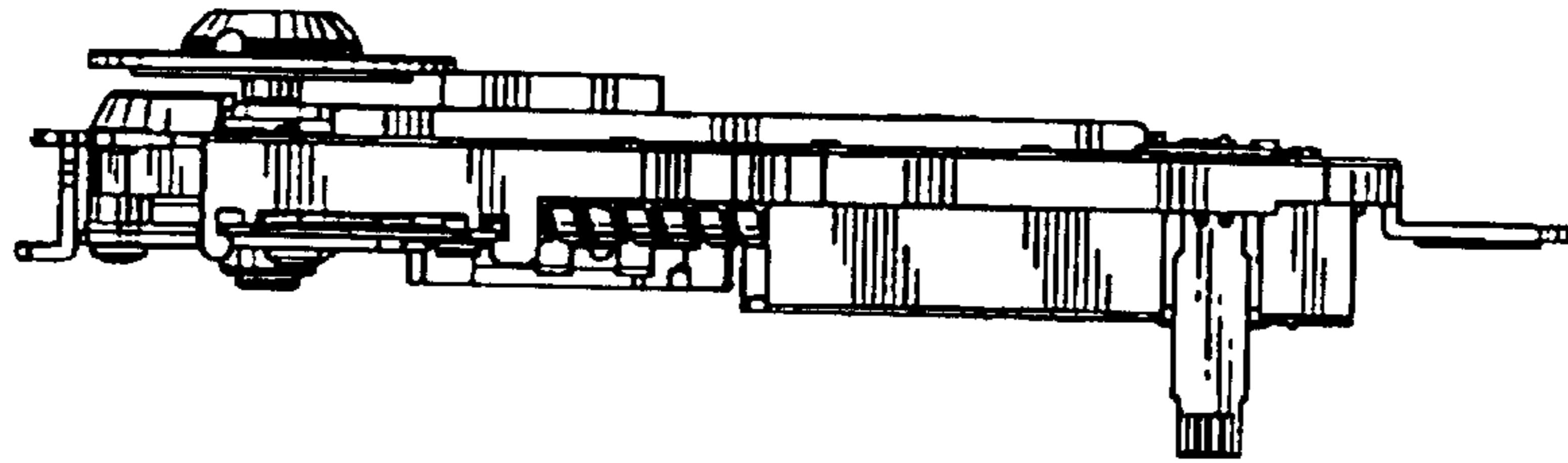


FIG.7

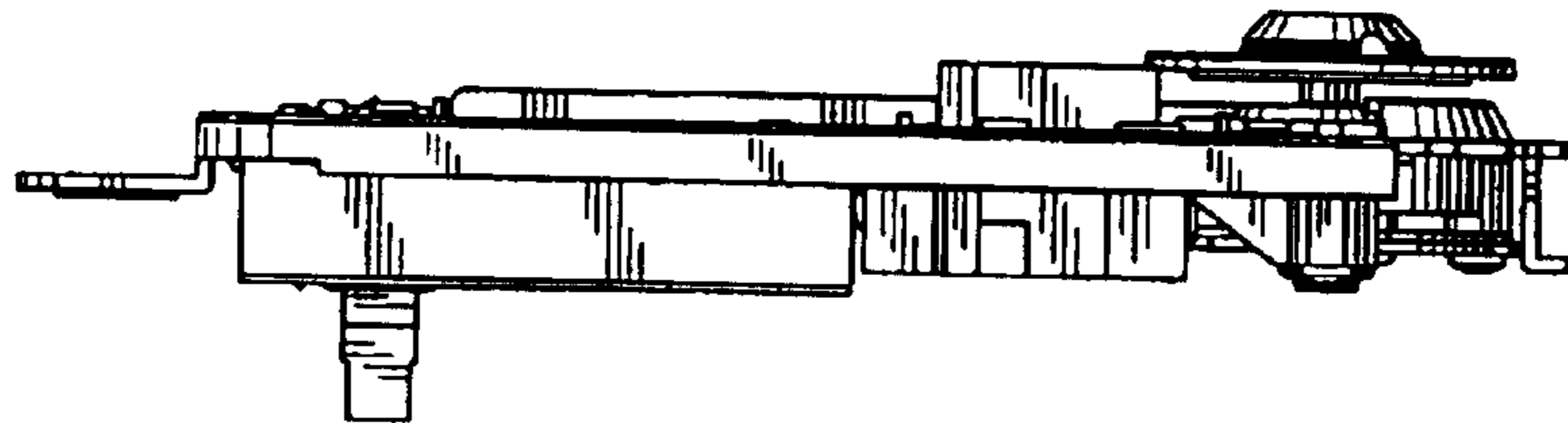


FIG.8

