



US00D543202S

(12) **United States Design Patent**
Siu

(10) **Patent No.:** **US D543,202 S**

(45) **Date of Patent:** **** May 22, 2007**

(54) **USB FLASH DRIVE**

(75) Inventor: **Yu Siu**, Kowloon (HK)

(73) Assignee: **Eric Beare Associates Ltd.**, Hong Kong (HK)

(**) Term: **14 Years**

(21) Appl. No.: **29/252,619**

(22) Filed: **Jan. 25, 2006**

(51) **LOC (8) Cl.** **14-02**

(52) **U.S. Cl.** **D14/356; D14/435**

(58) **Field of Classification Search** D14/137,
D14/156, 167, 240, 242, 299, 348, 356, 384-5,
D14/402, 432-435, 496; 361/685-6; 365/63,
365/131; 439/139-41, 144, 518, 638; 710/62,
710/74

See application file for complete search history.

(56) **References Cited**

U.S. PATENT DOCUMENTS

D167,828 S	*	9/1952	Florac	D14/194
D475,359 S	*	6/2003	Hirose	D14/167
D484,482 S	*	12/2003	Tanio	D14/167
D494,175 S	*	8/2004	Kawasaki	D14/384
D500,484 S	*	1/2005	Deguchi	D14/167
D501,485 S	*	2/2005	Lian et al.	D14/496
D502,166 S	*	2/2005	Nakamura	D14/167
D506,279 S	*	6/2005	Sirichai et al.	D26/60
6,924,996 B2	*	8/2005	Sugawara	365/51

D520,498 S	*	5/2006	Lin et al.	D14/230
D522,507 S	*	6/2006	Milan et al.	D14/356
D524,811 S	*	7/2006	Kent et al.	D14/356
2006/0258196 A1	*	11/2006	Chen et al.	439/141

* cited by examiner

Primary Examiner—Robin Webster

Assistant Examiner—Karen E. Patterson

(74) *Attorney, Agent, or Firm*—Perkins Coie LLP

(57) **CLAIM**

The ornamental design for a USB flash drive, as shown and described in the drawings.

DESCRIPTION

FIG. 1 is a front, top and left side perspective view of the USB flash drive showing my new design.

FIG. 2 is a back, top, and right side perspective view thereof.

FIG. 3 is a front, top, and right side perspective view thereof.

FIG. 4 is a back, top, and left side perspective view thereof.

FIG. 5 is a back, top, and left side exploded perspective view thereof.

FIG. 6 is a front, top, and right side exploded perspective view thereof.

FIG. 7 is a right side view thereof.

FIG. 8 is a bottom view thereof.

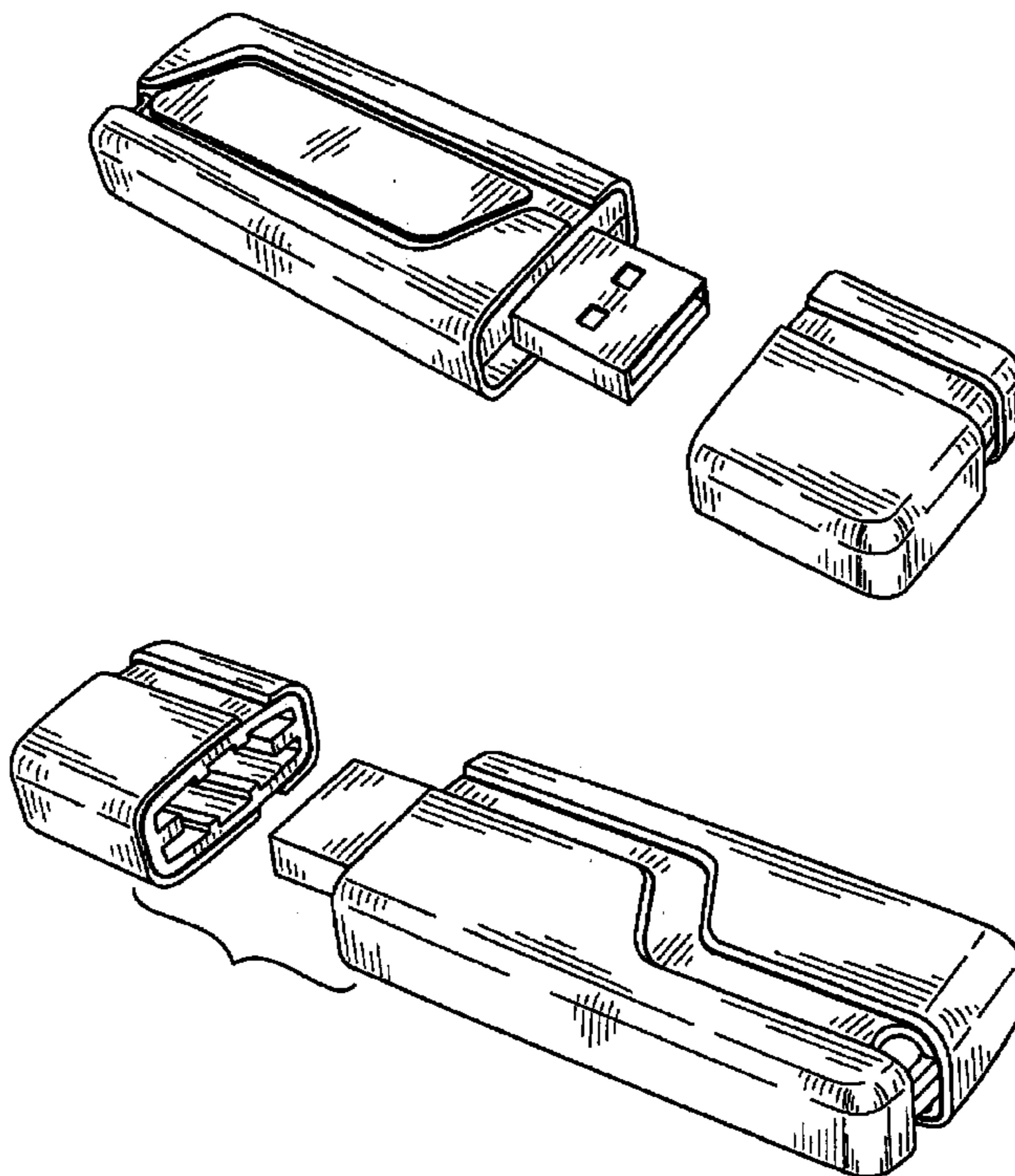
FIG. 9 is a left side view thereof.

FIG. 10 is a top view thereof.

FIG. 11 is a front view thereof; and,

FIG. 12 is a back view thereof.

1 Claim, 2 Drawing Sheets



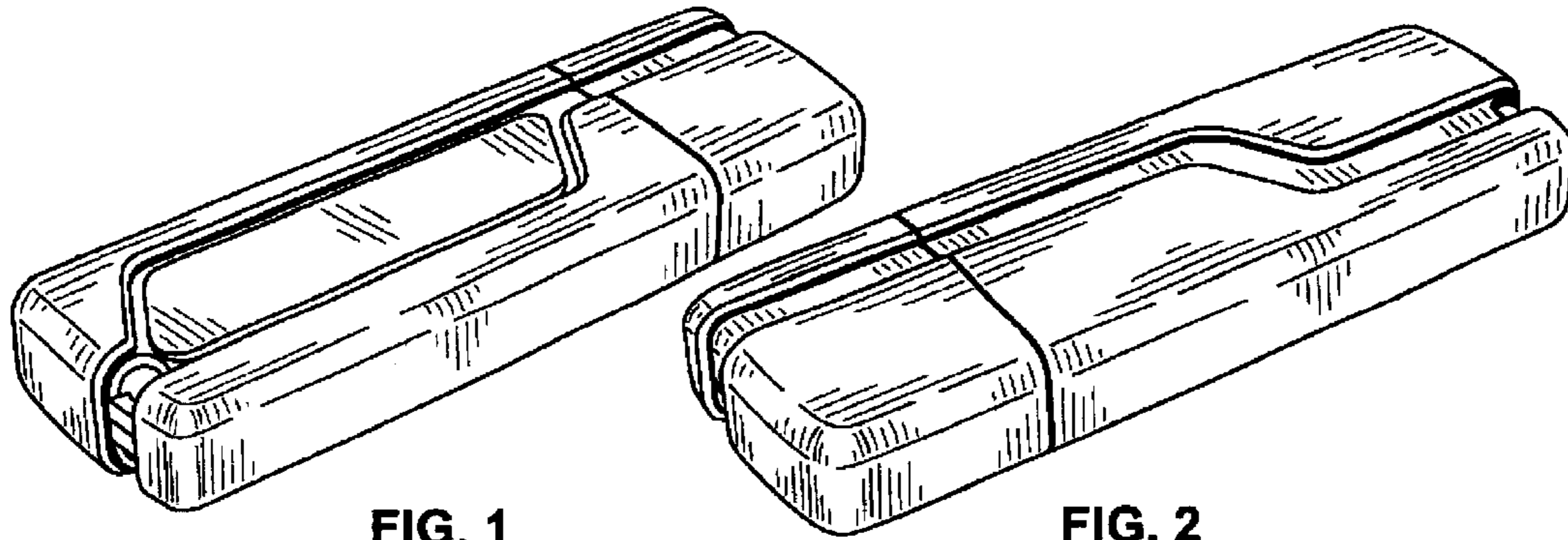


FIG. 1

FIG. 2

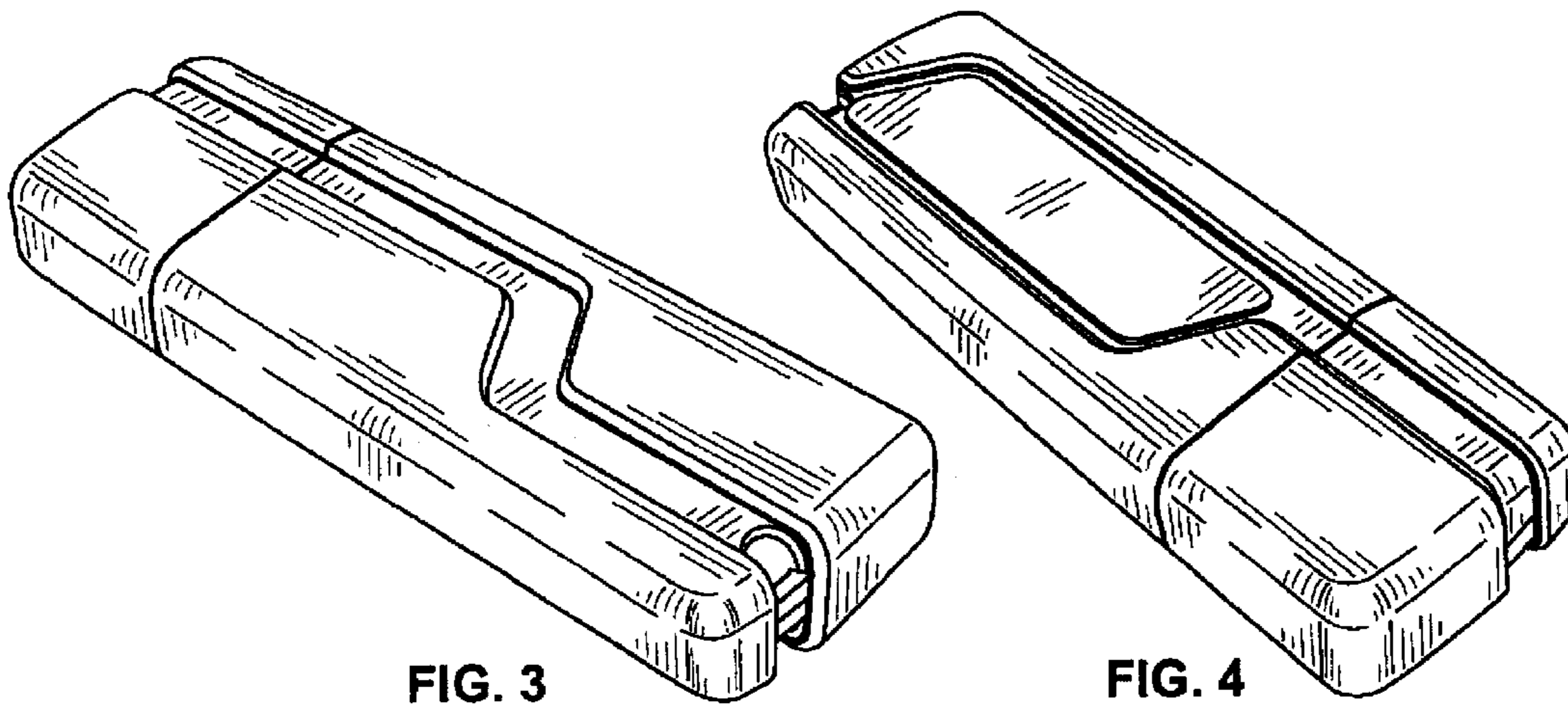


FIG. 3

FIG. 4

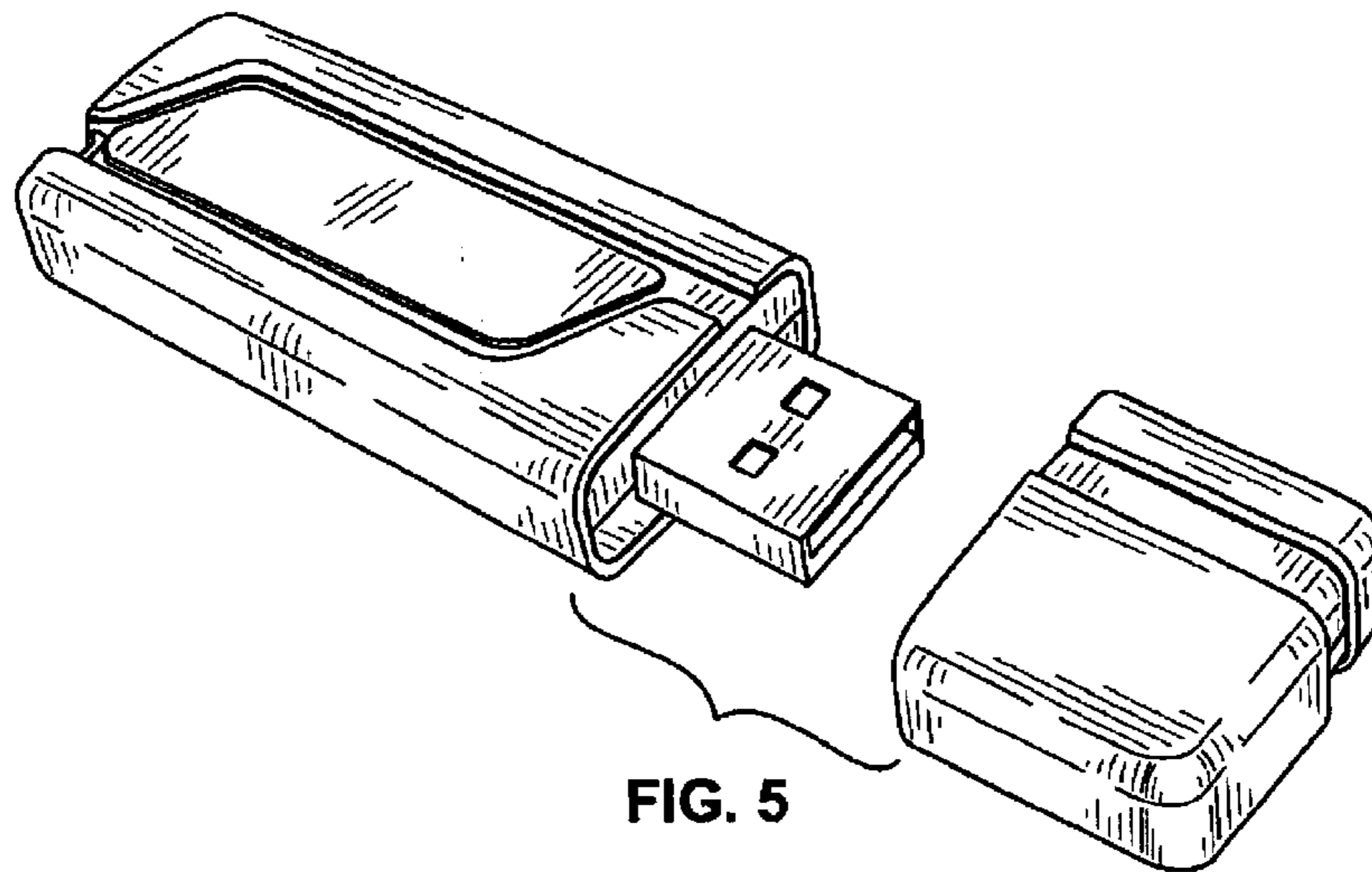


FIG. 5

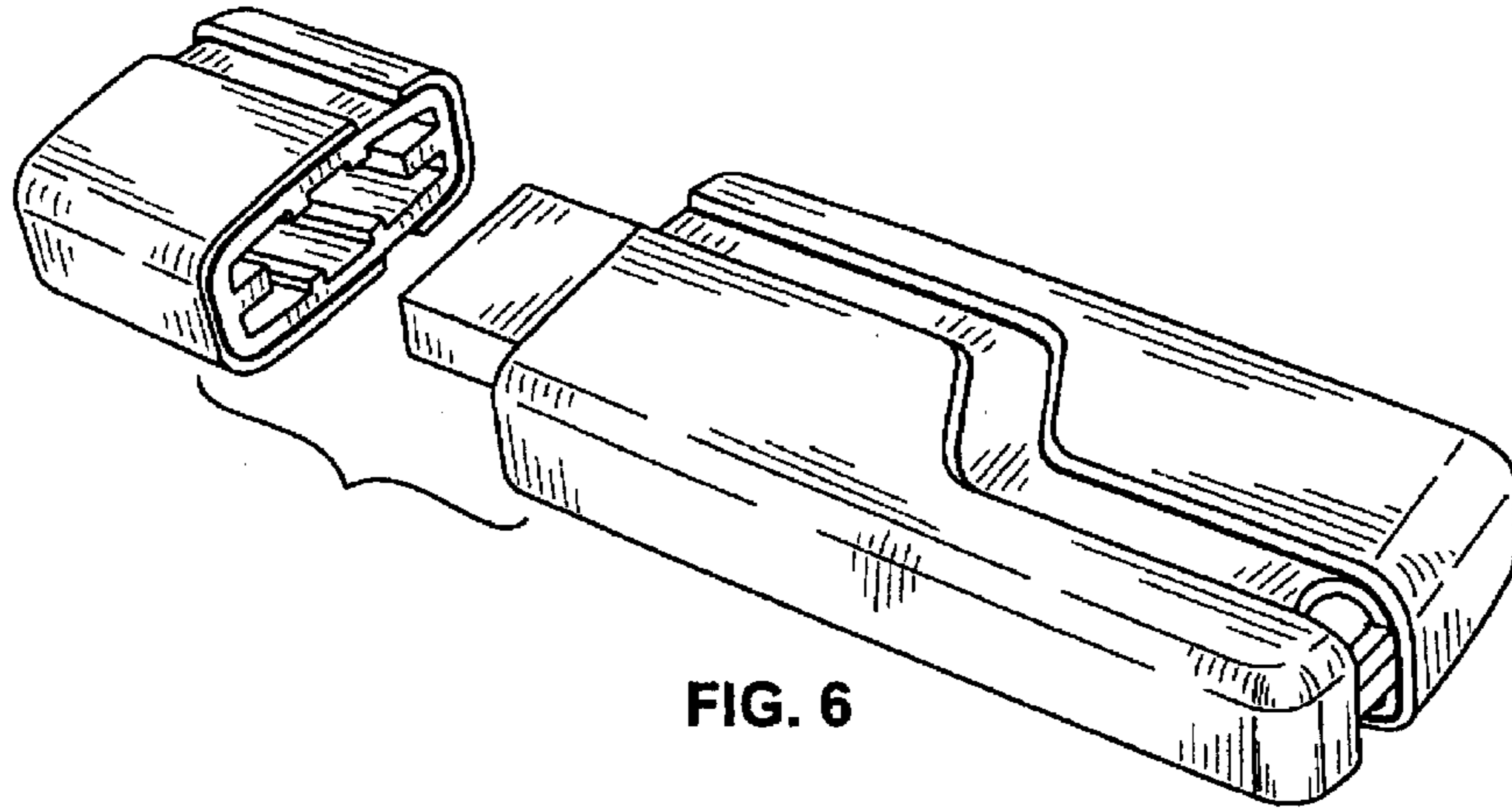


FIG. 6

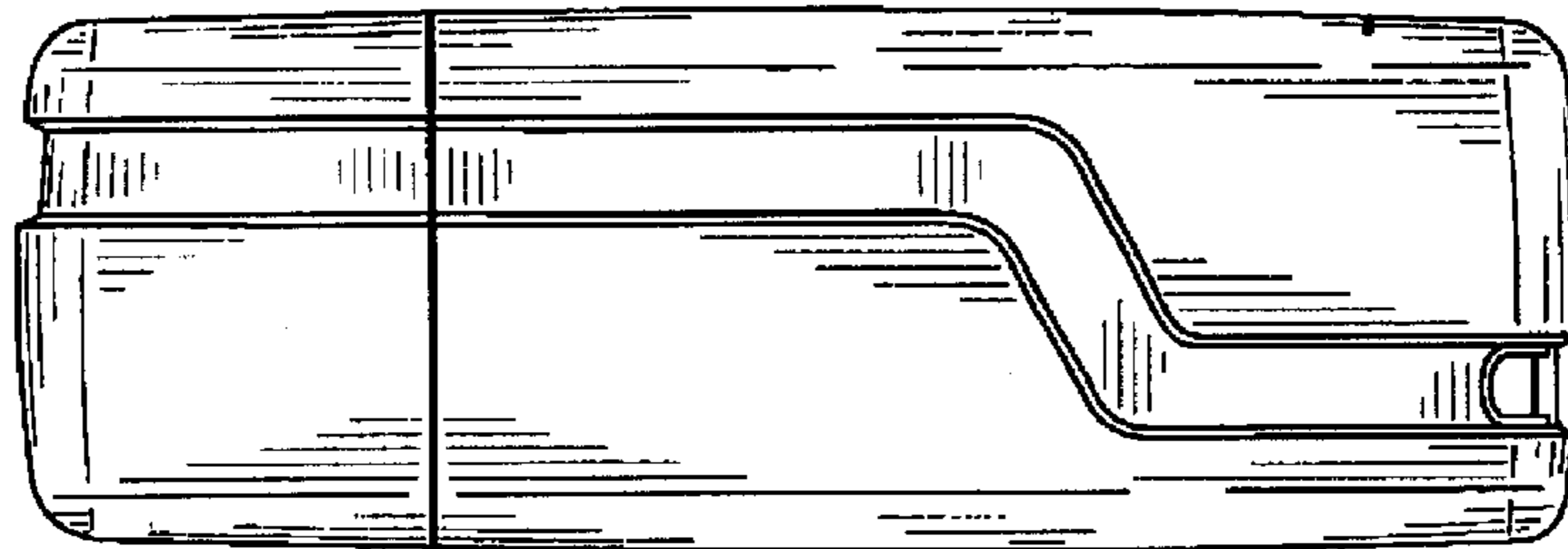


FIG. 7

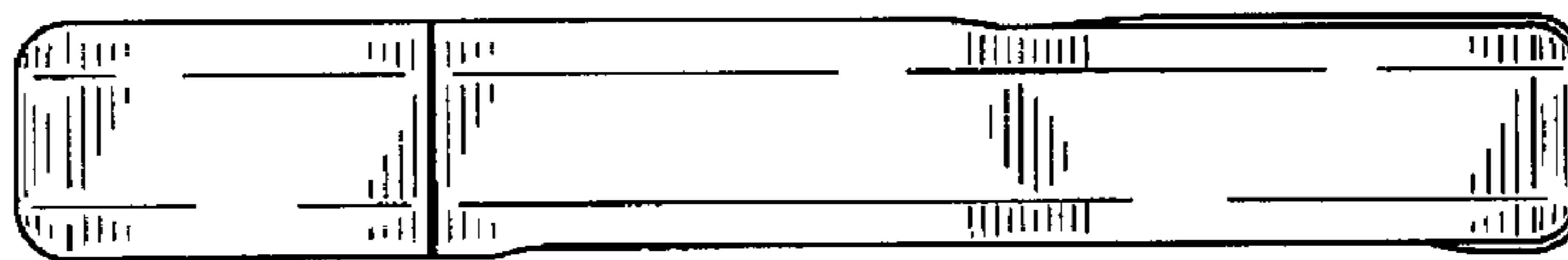


FIG. 8

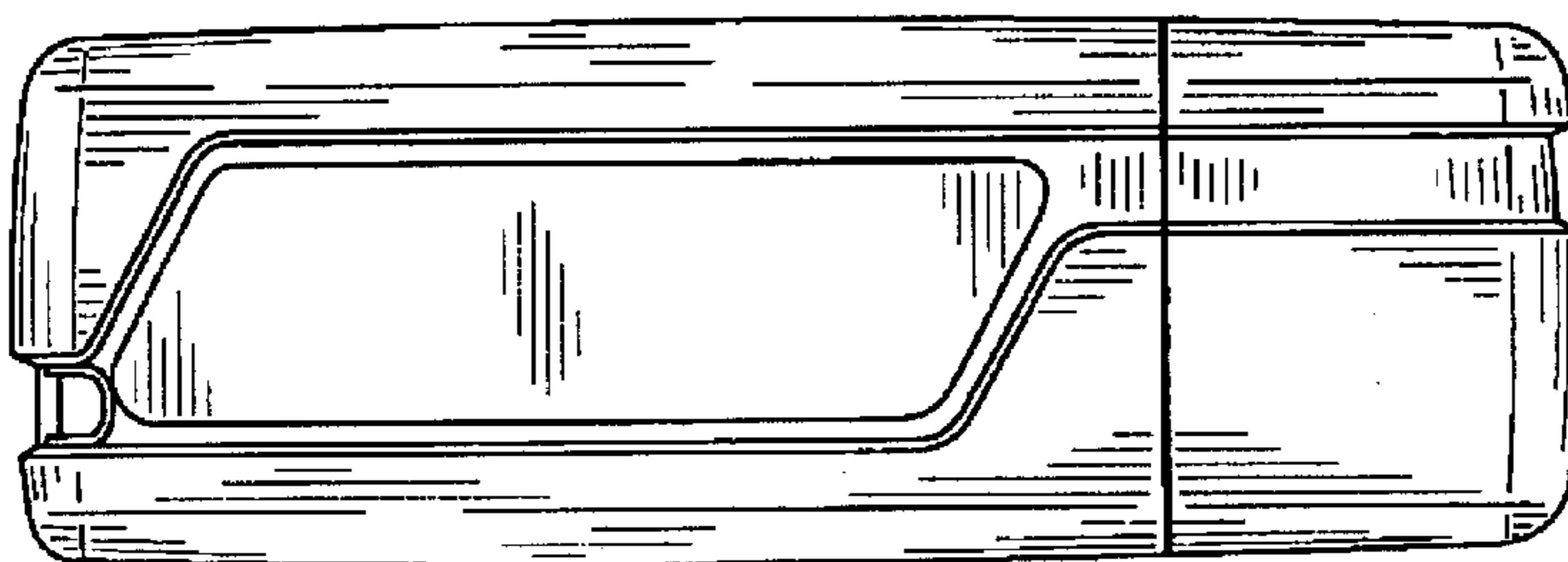


FIG. 9

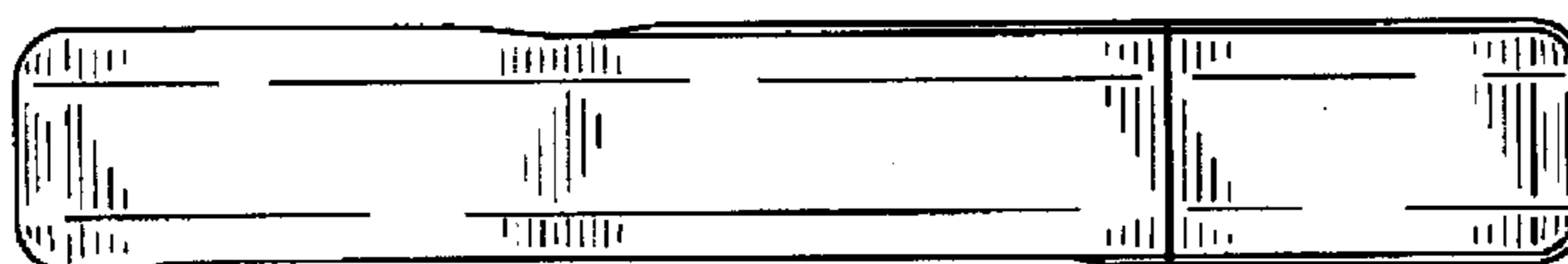


FIG. 10



FIG. 11

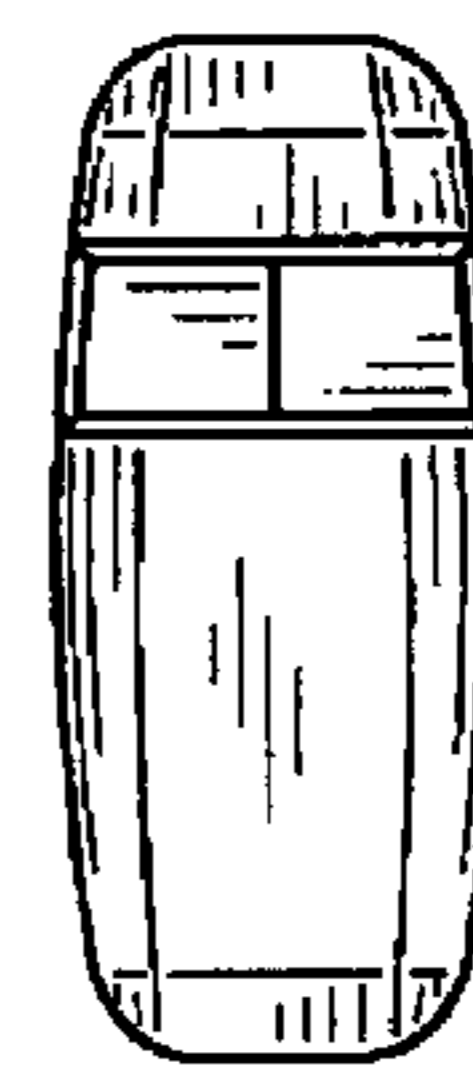


FIG. 12