



US00D543199S

(12) **United States Design Patent**
Majanen et al.

(10) **Patent No.:** **US D543,199 S**

(45) **Date of Patent:** **** May 22, 2007**

(54) **KEY BUTTON ARRANGEMENT FOR A HANDSET**

(75) Inventors: **Pekka Majanen**, Salo (FI); **Todd Wood**, Santa Monica, CA (US)

(73) Assignee: **Nokia Corporation**, Espoo (FI)

(**) Term: **14 Years**

(21) Appl. No.: **29/246,290**

(22) Filed: **Mar. 29, 2006**

Related U.S. Application Data

(62) Division of application No. 29/220,975, filed on Jan. 10, 2005.

(51) **LOC (8) Cl.** **14-03**

(52) **U.S. Cl.** **D14/247; D14/248**

(58) **Field of Classification Search** D14/137,
D14/138, 147-148, 247-248, 144, 218, 341-347,
D14/455, 456; 379/433.01-433.13, 434;
455/575.1, 566, 556.1; D21/517, 329, 331;
345/169

See application file for complete search history.

(56) **References Cited**

U.S. PATENT DOCUMENTS

D410,000 S	5/1999	Nuovo	
D415,770 S	10/1999	Nuovo	
D421,611 S	3/2000	Nuovo	
D445,409 S	* 7/2001	Segers D14/138
6,370,362 B1	* 4/2002	Hansen et al. 455/90.1
D475,033 S	* 5/2003	Lehtonen D14/138
D477,596 S	* 7/2003	Hayes D14/343
D482,682 S	* 11/2003	Lehtonen D14/247
D488,789 S	* 4/2004	Lee D14/138
D492,276 S	* 6/2004	Walliser et al. D14/138
D494,949 S	* 8/2004	Arnholt et al. D14/138
6,771,939 B1	* 8/2004	Barnett et al. 455/90.3
D495,672 S	* 9/2004	Jeon et al. D14/138
D496,921 S	* 10/2004	Hwang D14/138
D500,992 S	* 1/2005	Shen et al. D14/138

D501,658 S	* 2/2005	Park et al. D14/138
D503,162 S	* 3/2005	Kagami et al. D14/138
D505,934 S	* 6/2005	Gonser D14/138
D506,750 S	* 6/2005	Mehandjiysky D14/247
D507,562 S	* 7/2005	Kim D14/247
D507,563 S	* 7/2005	Moss D14/247

(Continued)

FOREIGN PATENT DOCUMENTS

WO	DM/065421	7/2004
WO	DM/066599	6/2005
WO	DM/067023	* 7/2005
WO	DM/067107	* 9/2005
WO	DM/067121	* 9/2005
WO	DM/067469	* 1/2006

OTHER PUBLICATIONS

Nokia 8800 telephone, announced 1st quarter 2005, [online], [retrieved on Jul. 2, 2006]. Retrieved from Internet ,URL: <http://www.gsmarena.com>>.*

Primary Examiner—Jeffrey Asch

(74) *Attorney, Agent, or Firm*—Banner & Witcoff, Ltd.

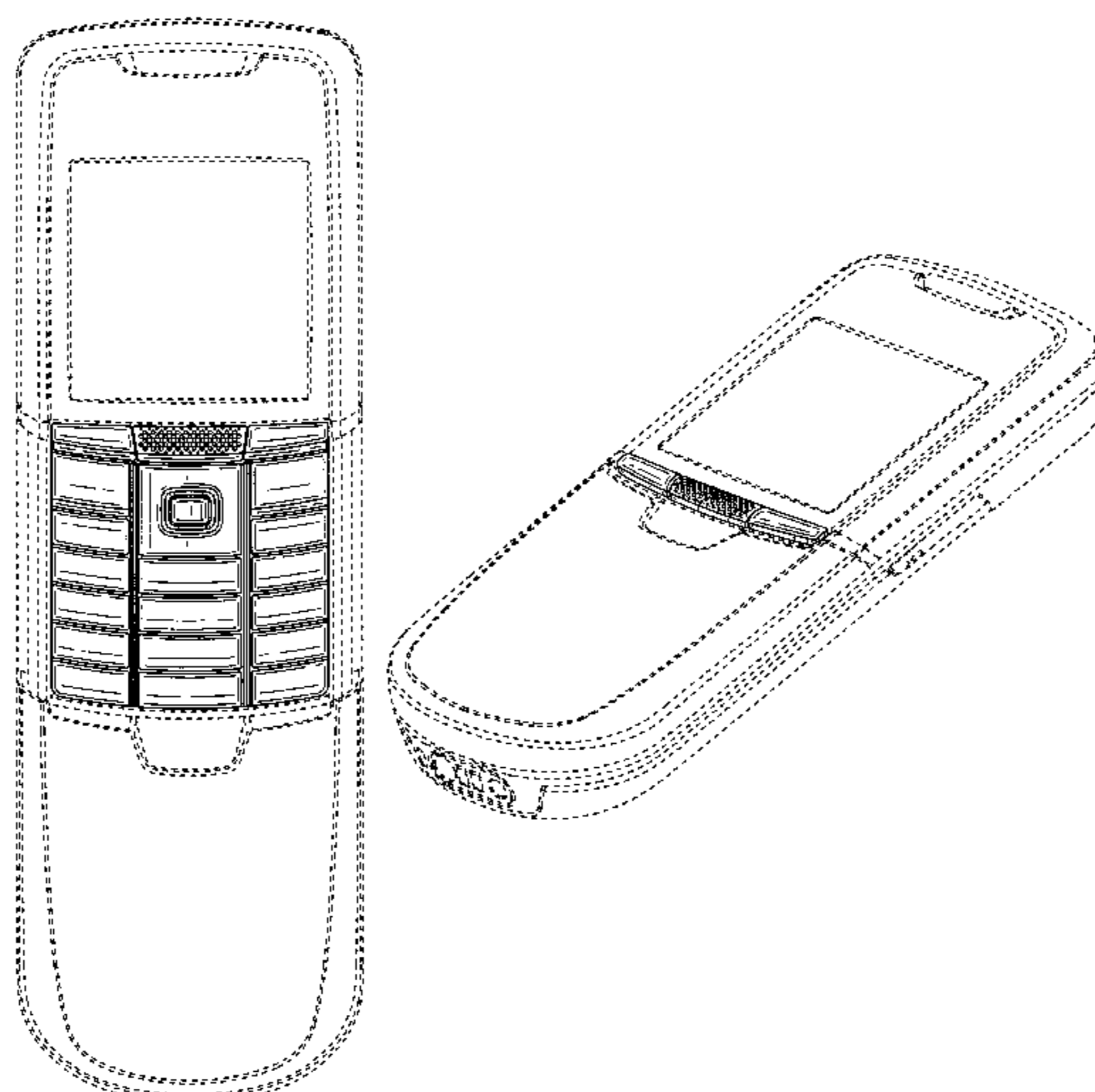
(57) **CLAIM**

The ornamental design for a key button arrangement for a handset, as shown and described.

DESCRIPTION

FIG. 1 is a front view of a key button arrangement for a handset showing our new design;
FIG. 2 is a perspective view thereof;
FIG. 3 is a front view of the key button arrangement for a handset of illustrated in an environment of a disclaimed handset in a closed in-use position thereof; and,
FIG. 4 is a perspective view of the key button arrangement for a handset illustrated in an environment of a disclaimed handset in a closed in use position thereof.
The broken line showings of the remainder of the handset are for illustrative purposes only and form no part of the claimed design.

1 Claim, 4 Drawing Sheets



US D543,199 S

Page 2

U.S. PATENT DOCUMENTS

D508,902 S	*	8/2005	Lee et al.	D14/138
D512,398 S	*	12/2005	Chen et al.	D14/138
D512,975 S	*	12/2005	Tsai et al.	D14/138
6,975,889 B2	*	12/2005	Chen et al.	455/575.1
D514,079 S	*	1/2006	Lai	D14/138
D515,536 S	*	2/2006	Lee et al.	D14/138
D515,537 S	*	2/2006	Kim et al.	D14/138
D515,539 S	*	2/2006	Mai et al.	D14/138
D515,541 S	*	2/2006	Jensfelt	D14/138
D517,518 S	*	3/2006	Nakajima et al.	D14/138
D518,457 S	*	4/2006	Lyles	D14/138
D518,460 S	*	4/2006	Jung et al.	D14/138
D519,966 S	*	5/2006	Salmi et al.	D14/138
D522,988 S	*	6/2006	Sheu	D14/138
D522,989 S	*	6/2006	Viitasaari	D14/138
D523,836 S	*	6/2006	Park	D14/138
2004/0180703 A1	*	9/2004	Kim et al.	455/575.1

* cited by examiner

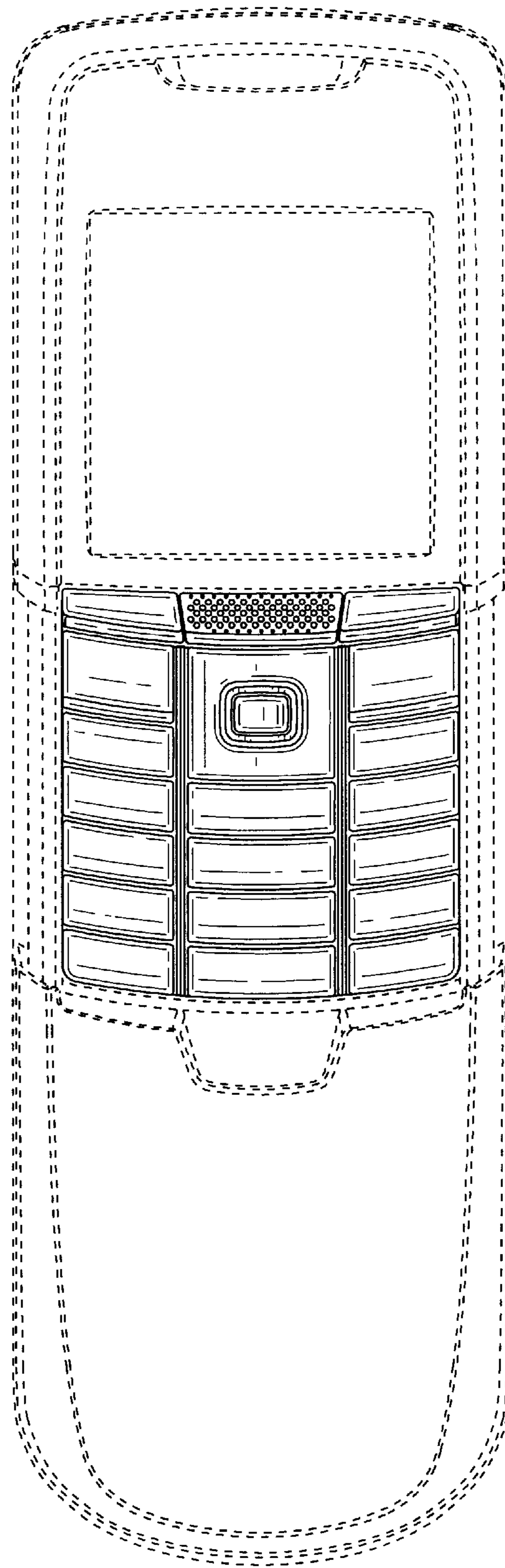


FIG. 1

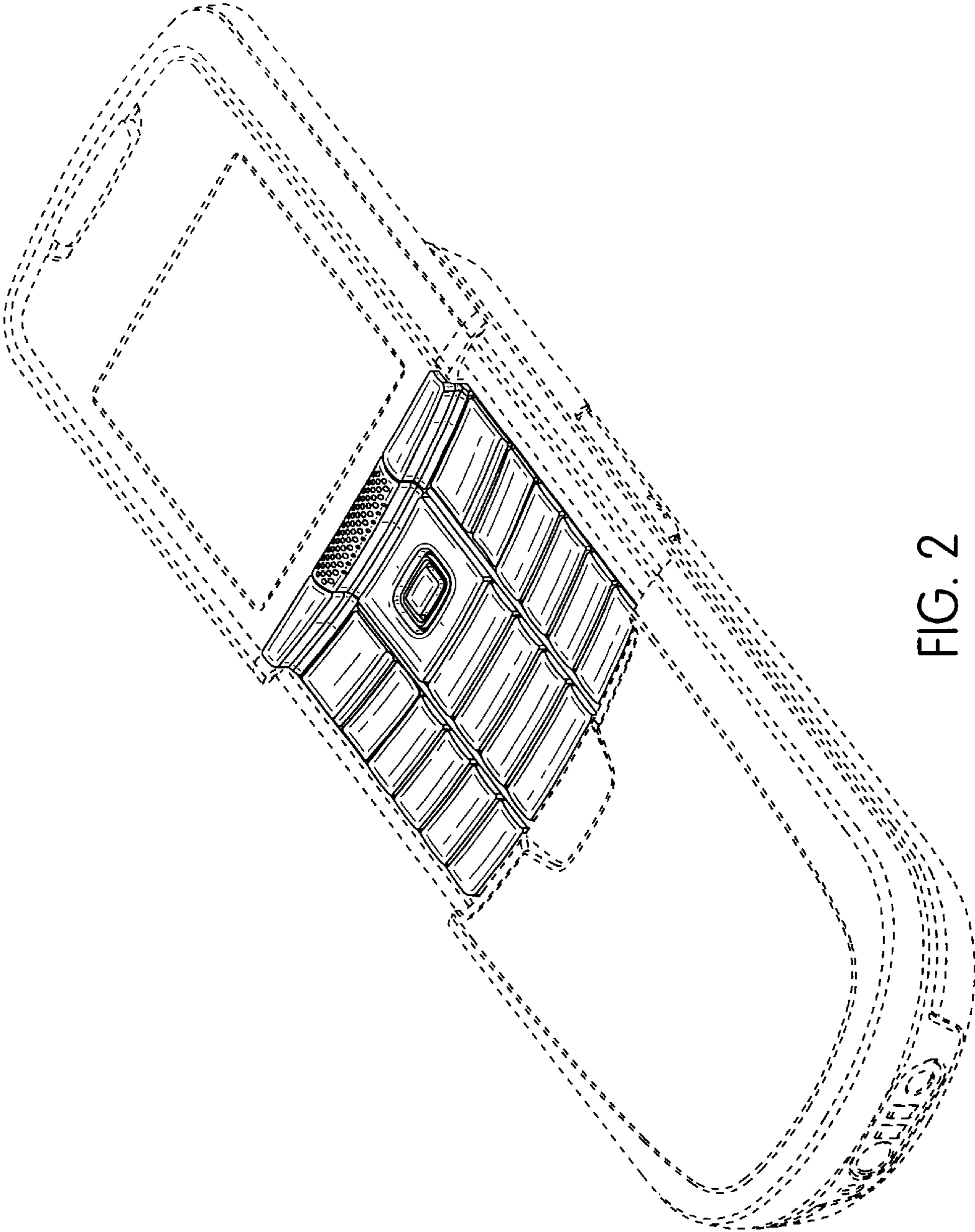


FIG. 2

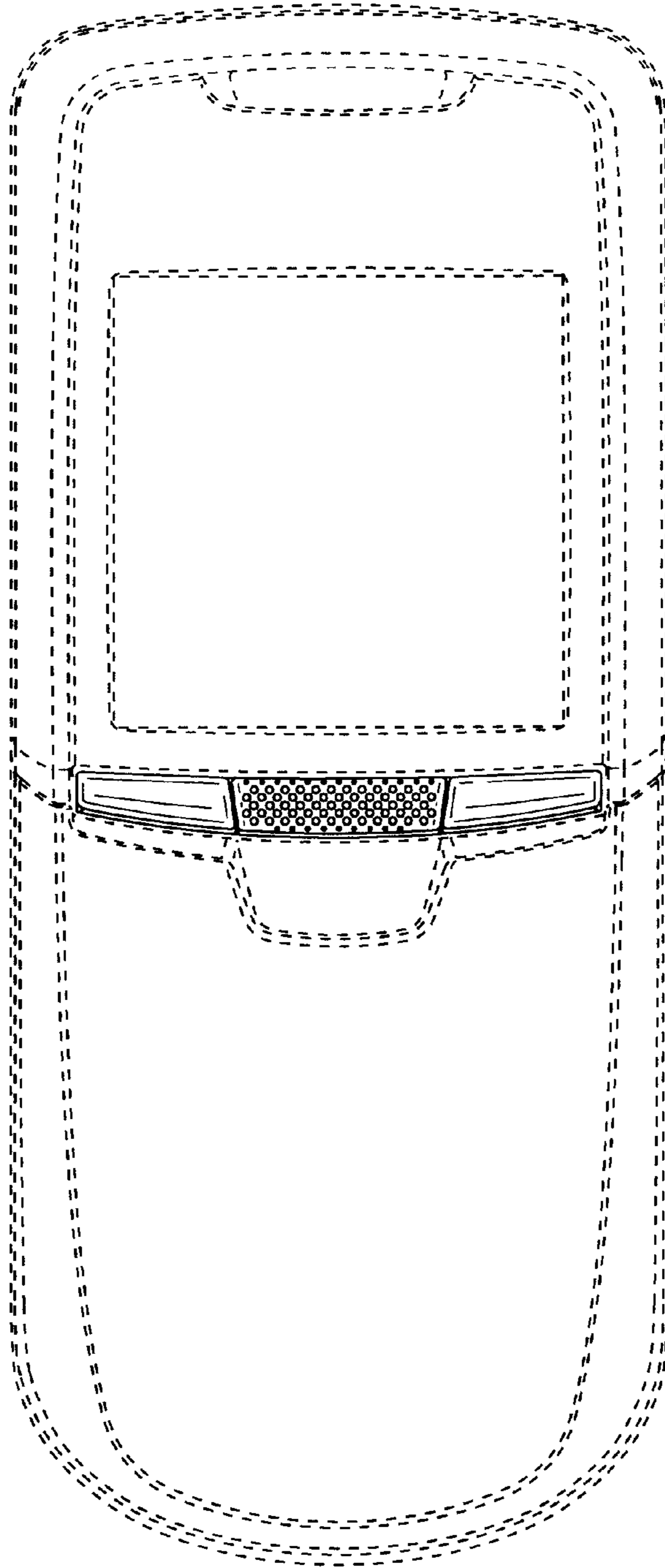


FIG. 3

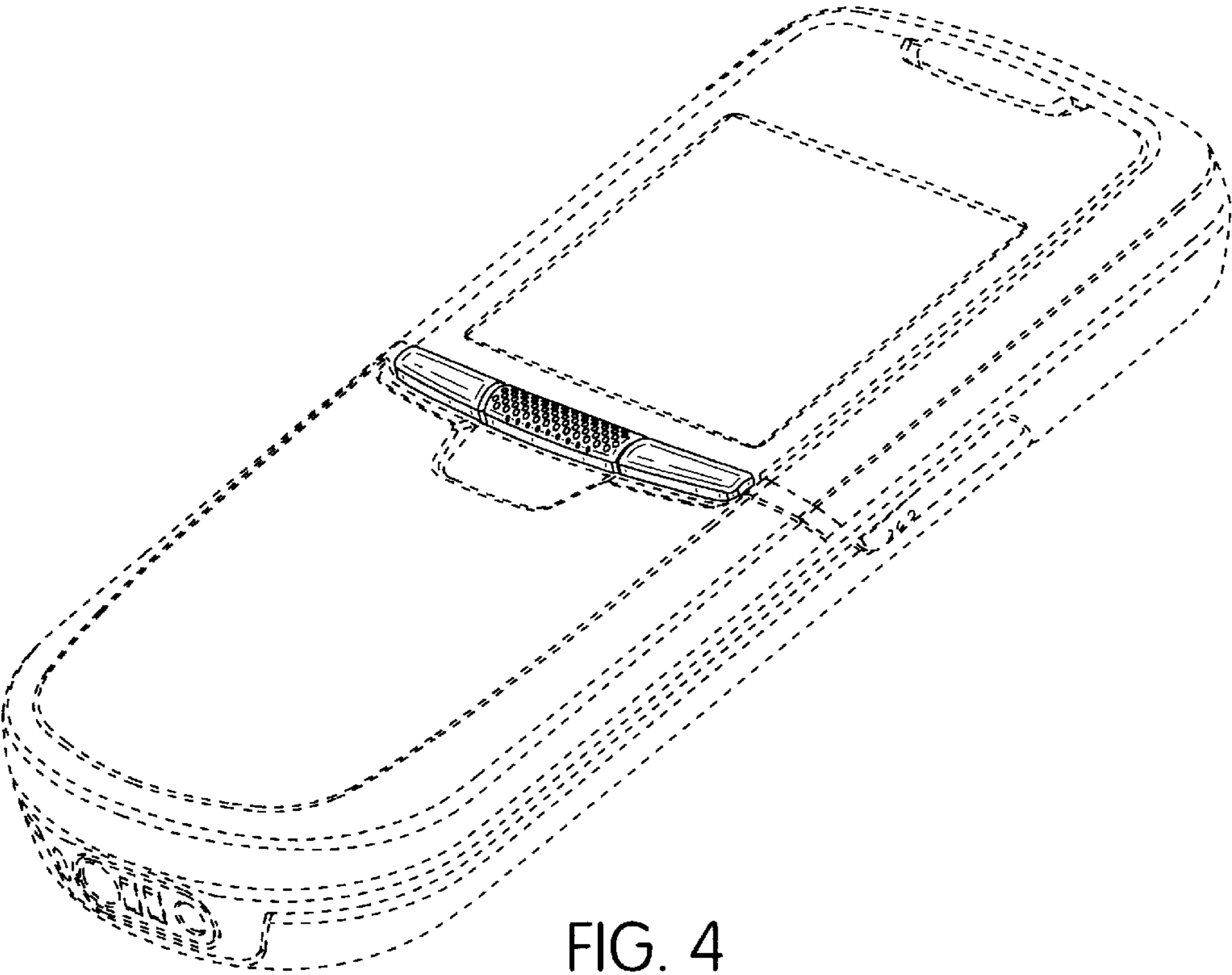


FIG. 4