



US00D543197S

(12) **United States Design Patent**
Loughnane

(10) **Patent No.:** **US D543,197 S**

(45) **Date of Patent:** **** May 22, 2007**

(54) **REMOTE CONTROL DEVICE**

(75) Inventor: **Cathal Loughnane**, County Wexford
(IE)

(73) Assignee: **Logitech Europe S.A.** (CH)

(**) Term: **14 Years**

(21) Appl. No.: **29/260,179**

(22) Filed: **May 18, 2006**

(51) **LOC (8) Cl.** **14-03**

(52) **U.S. Cl.** **D14/218**

(58) **Field of Classification Search** D14/174,
D14/137-139, 151, 217, 218, 191-193, 167,
D14/299, 168, 247, 455, 456; D13/168, 162-164;
D21/512-517, 566; D10/104, 106; 345/169;
348/114, 734; 455/352-355, 151.1-151.4,
455/128, 347, 90.3

See application file for complete search history.

(56) **References Cited**

U.S. PATENT DOCUMENTS

D365,100 S * 12/1995 Farinelli et al. D14/218
D378,212 S * 2/1997 Sirois et al. D24/231
D487,263 S * 3/2004 Wang et al. D14/247

6,819,864 B2 * 11/2004 Fujita et al. 386/46
D521,459 S * 5/2006 Yun et al. D13/168
D522,897 S * 6/2006 Kellond D10/104
D531,585 S * 11/2006 Weitgasser et al. D13/168
D531,588 S * 11/2006 Peh D13/168
D531,964 S * 11/2006 Peh D13/168

* cited by examiner

Primary Examiner—Louis S. Zarfes

Assistant Examiner—John Windmuller

(74) *Attorney, Agent, or Firm*—Townsend and Townsend
and Crew LLP

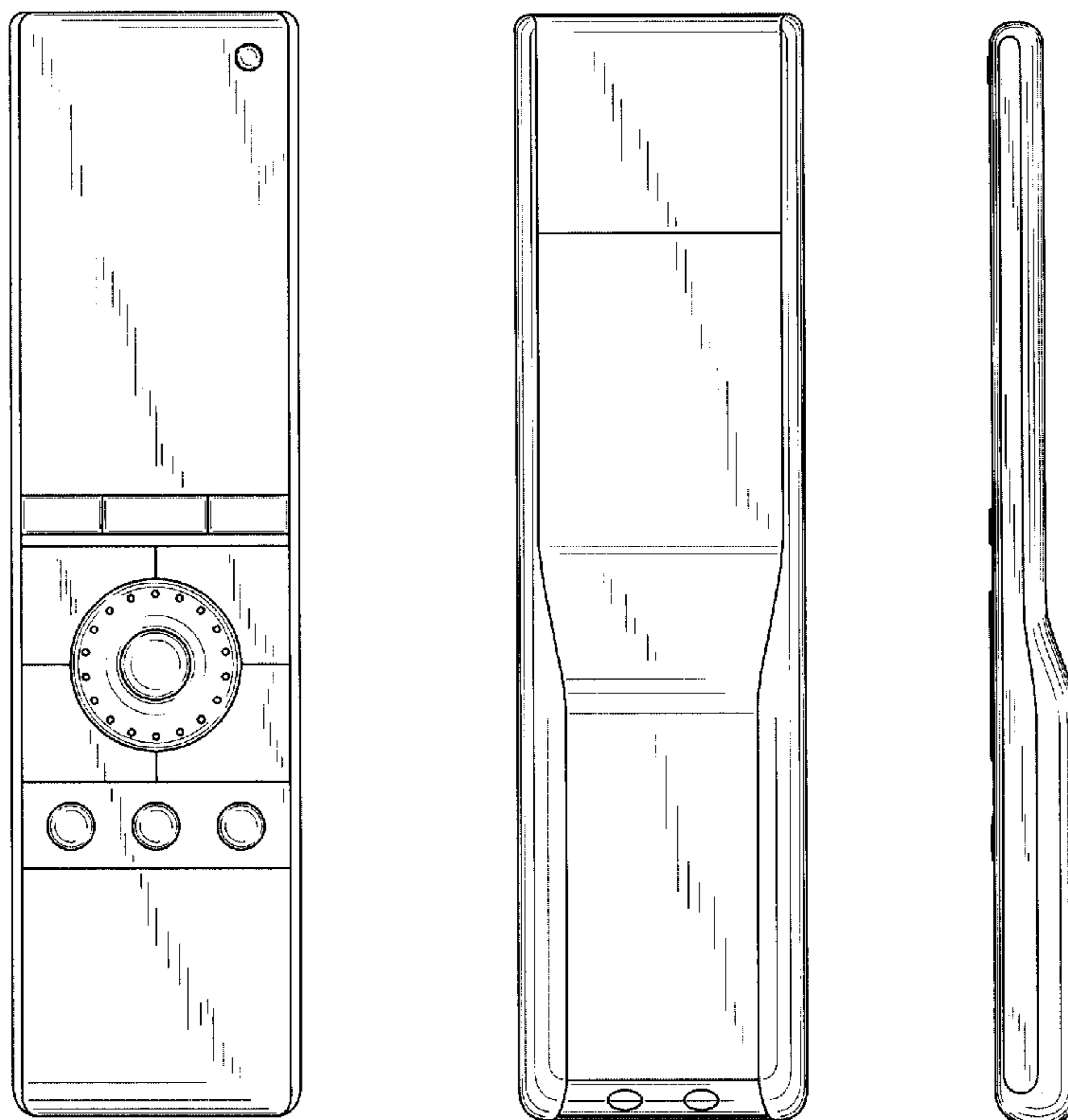
(57) **CLAIM**

The ornamental design for a remote control device, as shown
and described.

DESCRIPTION

FIG. 1 is a perspective view of a remote control device
showing my new design;
FIG. 2 is a top plan view thereof;
FIG. 3 is a rear elevational view thereof;
FIG. 4 is a bottom plan view thereof;
FIG. 5 is a front elevational view thereof;
FIG. 6 is a left side elevational view; and,
FIG. 7 is a right side elevational view.

1 Claim, 4 Drawing Sheets



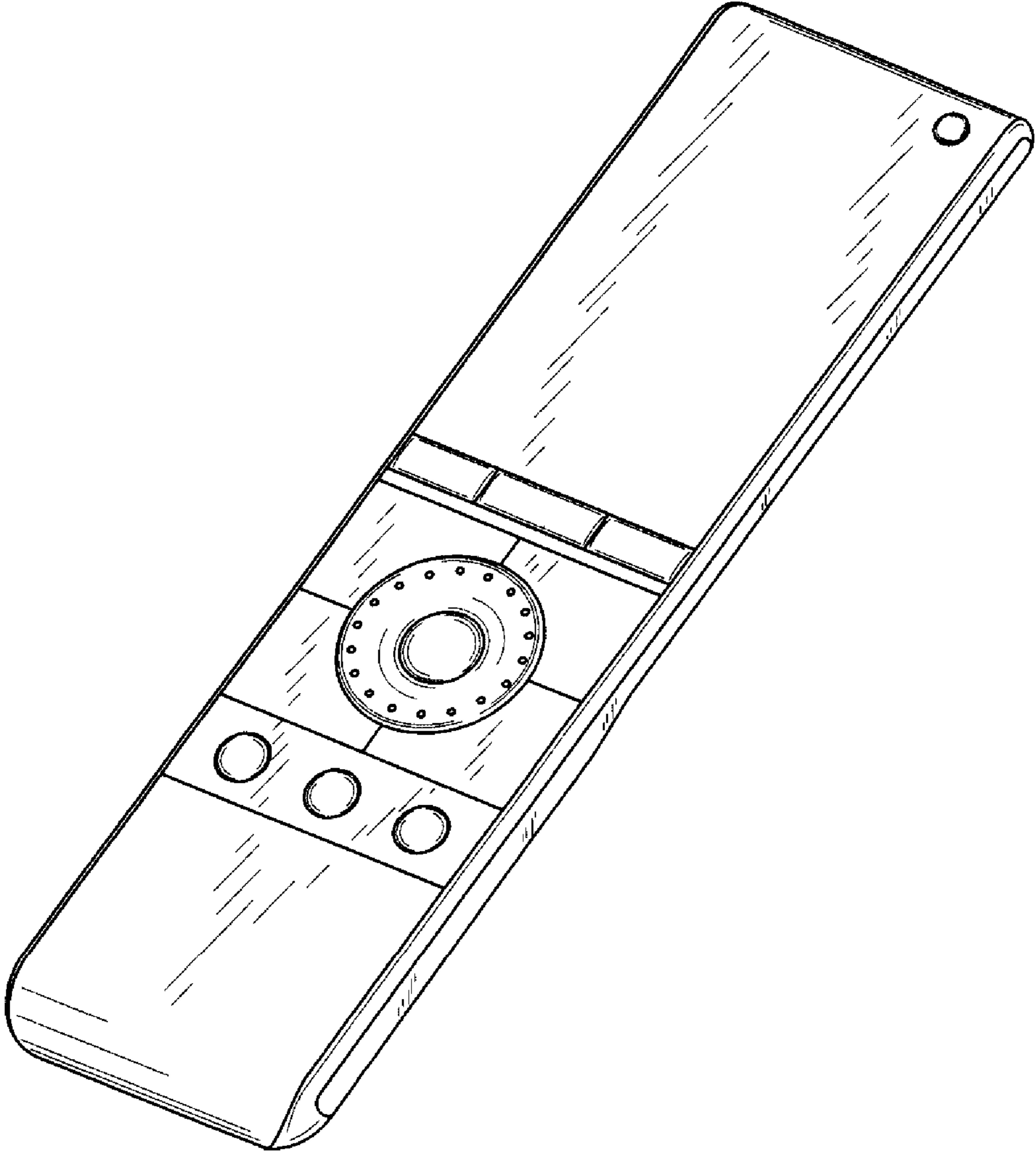


FIG. 1

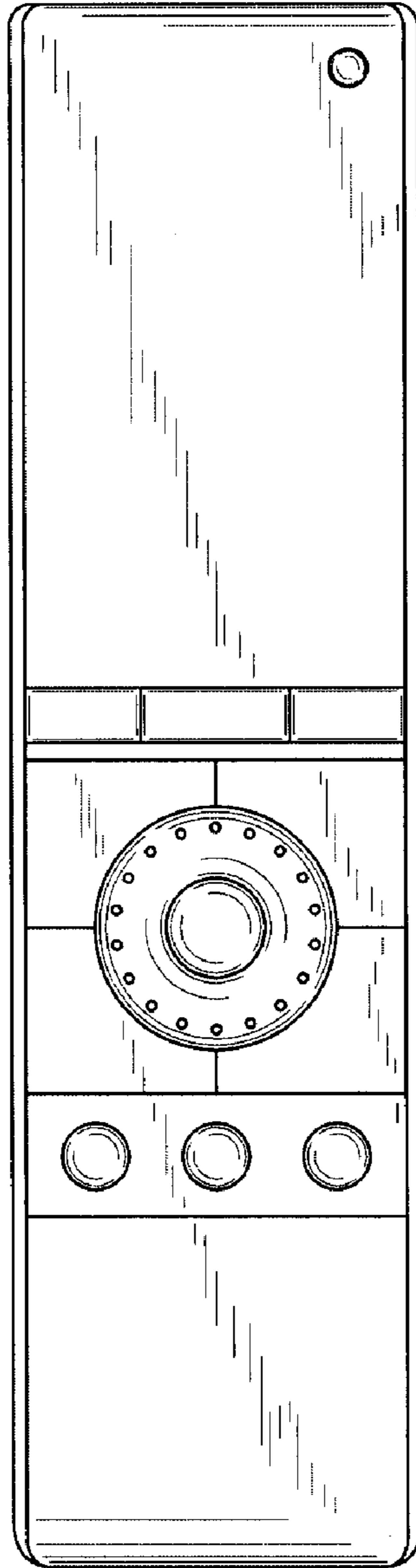


FIG. 2

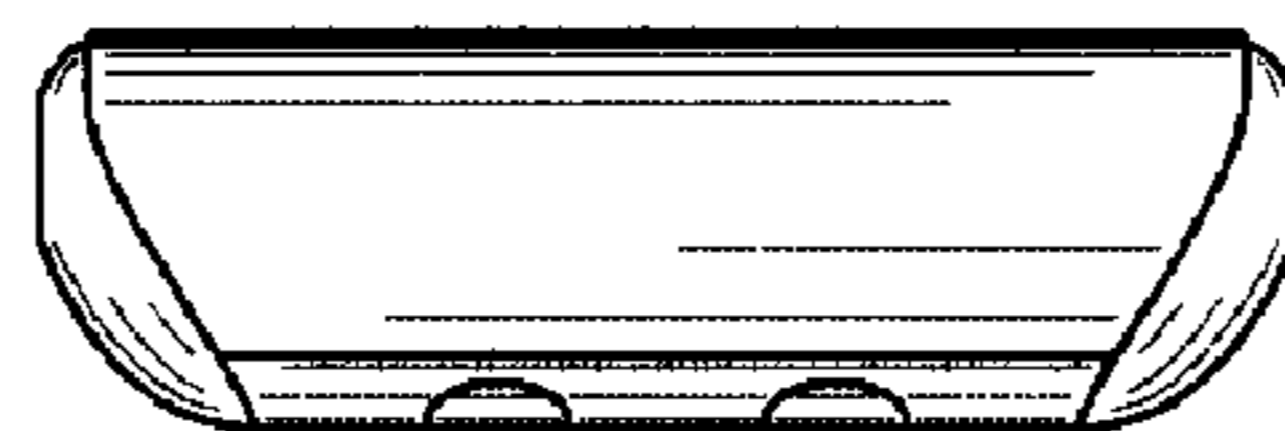


FIG. 3

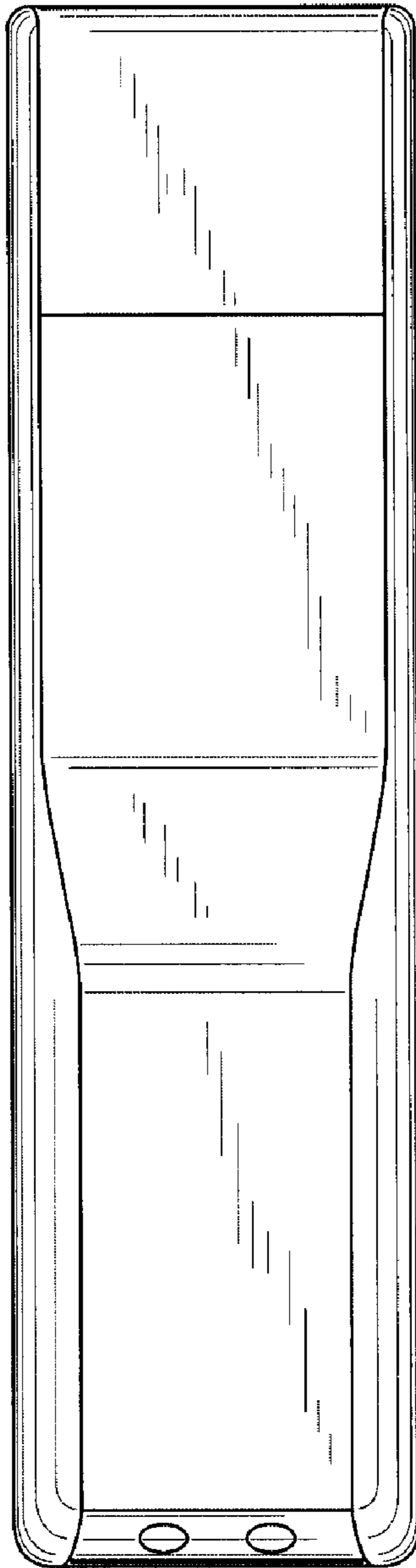


FIG. 4

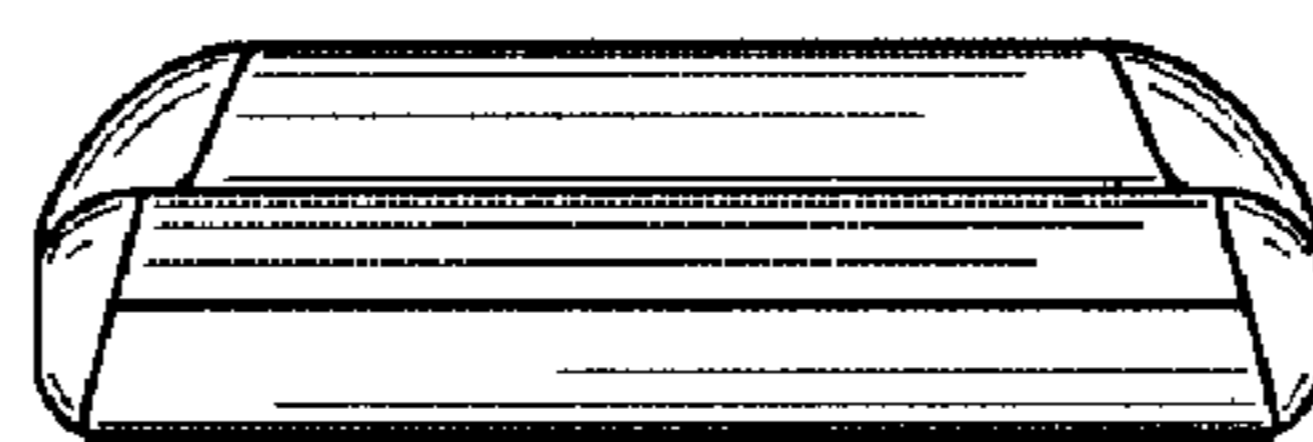


FIG. 5



FIG. 6



FIG. 7