

US00D543195S

(12) **United States Design Patent**
Ryan et al.

(10) **Patent No.:** **US D543,195 S**

(45) **Date of Patent:** **** May 22, 2007**

(54) **ELLIPTICAL FLUSHMOUNT SPEAKER**

(75) Inventors: **Todd Ryan**, San Clemente, CA (US);
Raymond Call, Mission Viejo, CA
(US); **Tommy Rucci**, Oceanside, CA
(US)

(73) Assignee: **Dana Innovations**, San Clemente, CA
(US)

(**) Term: **14 Years**

(21) Appl. No.: **29/166,621**

(22) Filed: **Aug. 29, 2002**

(51) **LOC (8) Cl.** **14-01**

(52) **U.S. Cl.** **D14/215**

(58) **Field of Classification Search** D14/204,
D14/207-216, 221-222, 224; 181/144-145,
181/147-148, 150, 157, 168, 171-174; 381/300-302,
381/386, 396, 398, 423, 426, 87, 182, 186
See application file for complete search history.

(56) **References Cited**

U.S. PATENT DOCUMENTS

D254,434 S * 3/1980 Iijima D14/216
D261,642 S * 11/1981 Babb D14/204

D280,818 S * 10/1985 Clover, Jr. D14/215
4,672,675 A * 6/1987 Powell et al. 381/186
4,837,839 A * 6/1989 Andrews 181/157
D302,556 S * 8/1989 Weissberg et al. D14/222

* cited by examiner

Primary Examiner—Nanda Bondade

(74) *Attorney, Agent, or Firm*—Stetina Brunda Garred &
Brucker

(57) **CLAIM**

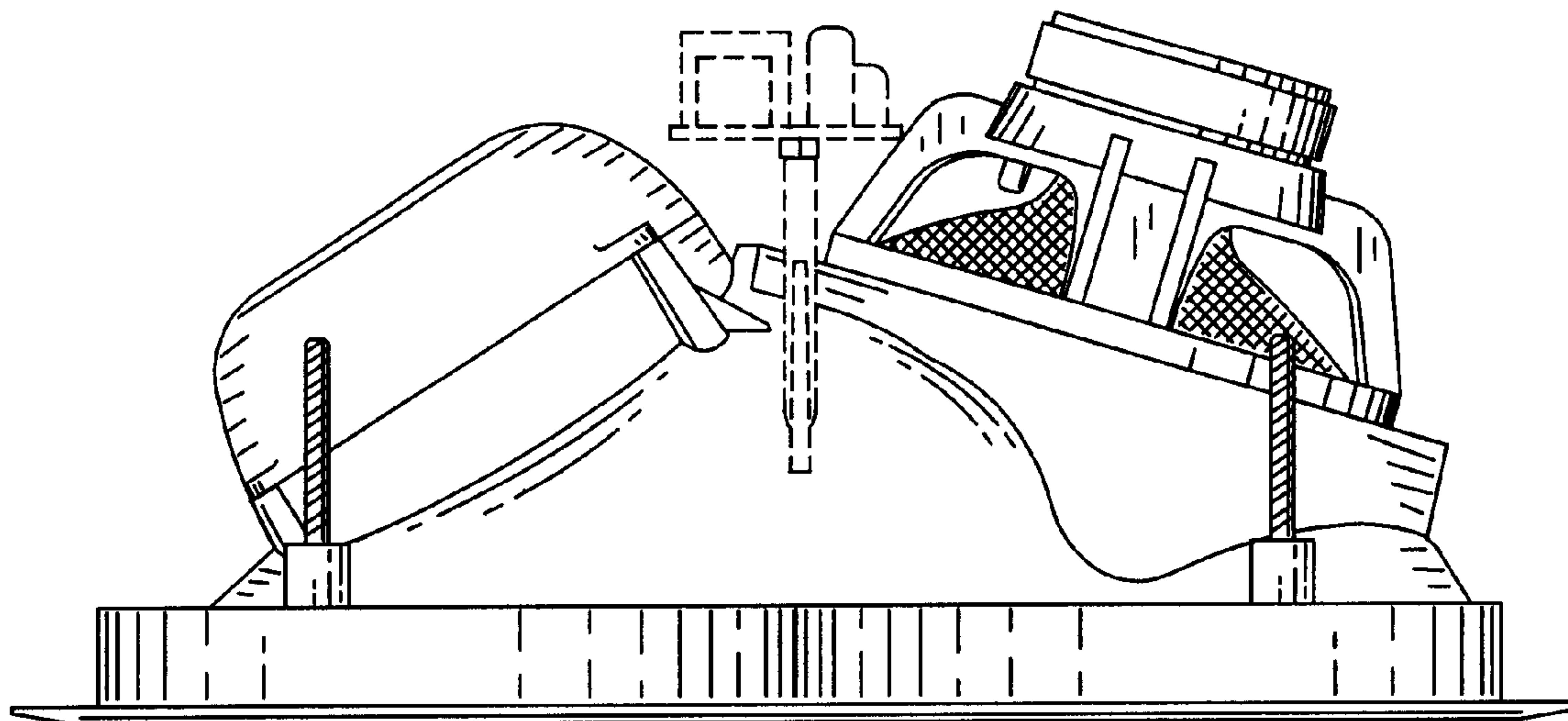
The ornamental design for an elliptical flushmount speaker,
as shown and described.

DESCRIPTION

FIG. 1 is a top plan view of a elliptical flushmount speaker
showing our new design;
FIG. 2 is front view thereof;
FIG. 3 is a bottom view thereof;
FIG. 4 is a rear view thereof;
FIG. 5 is a right side view thereof; and,
FIG. 6 is a left side view thereof.

The broken line showing on the drawing disclosure is for
illustrative purpose only and forms no part of the claimed
design.

1 Claim, 3 Drawing Sheets



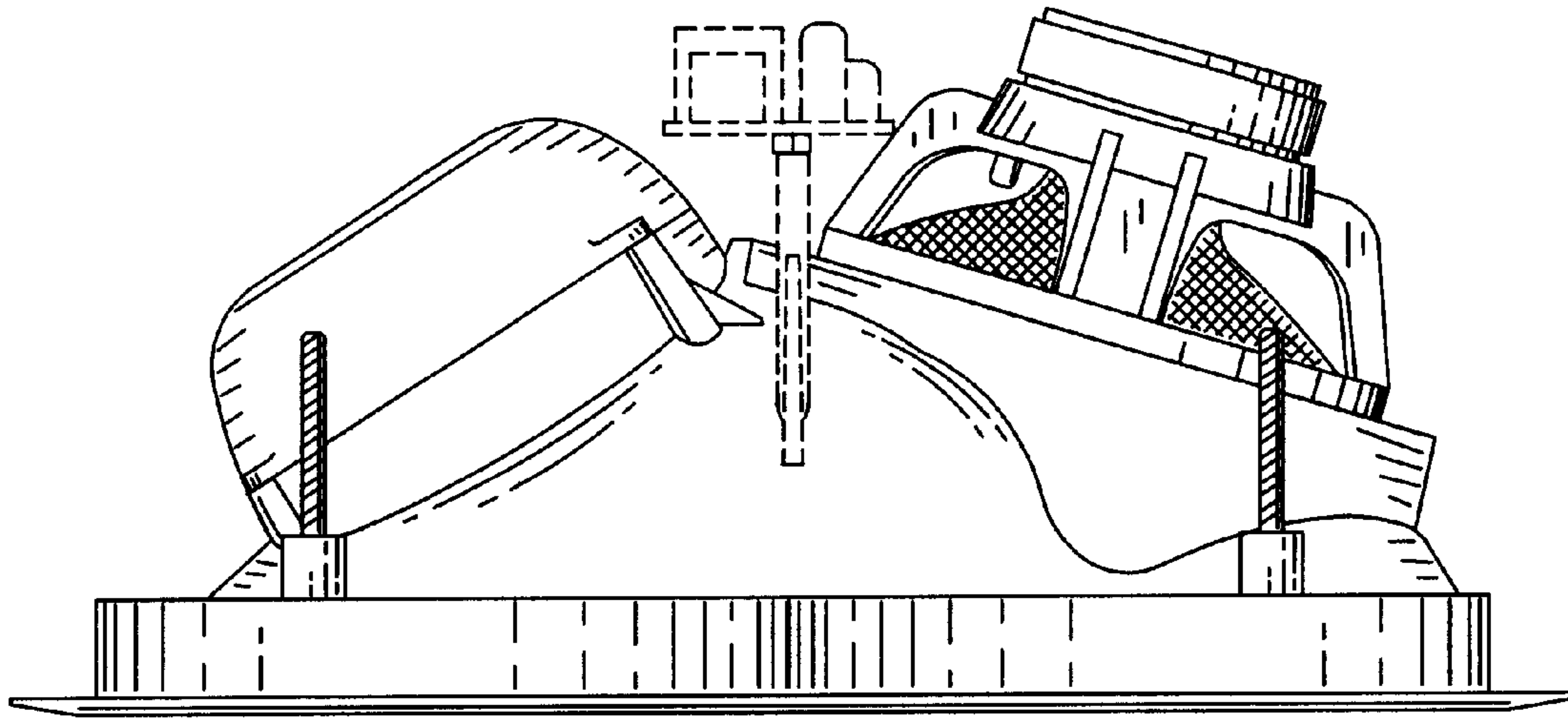


Fig. 1

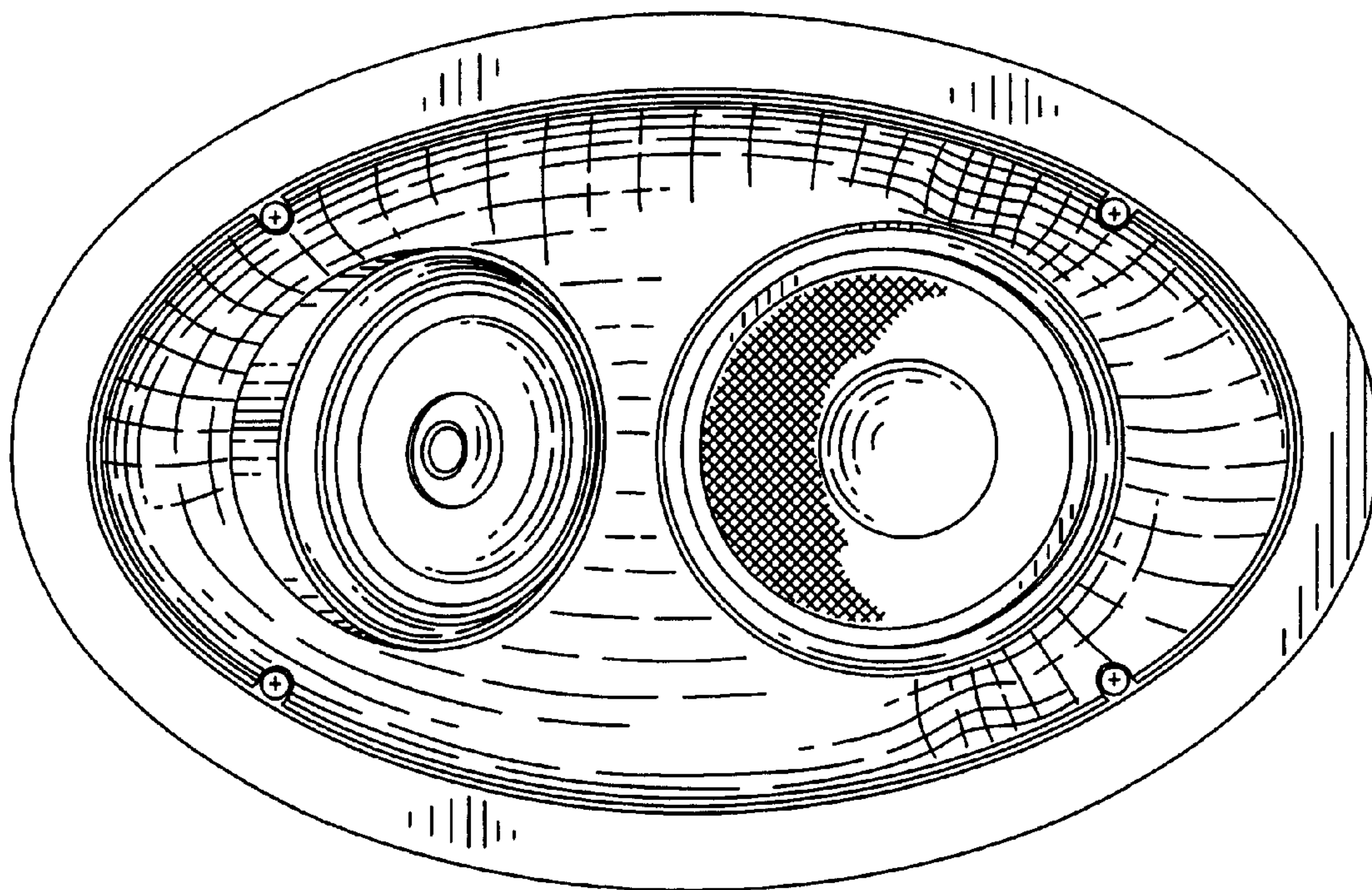


Fig. 2

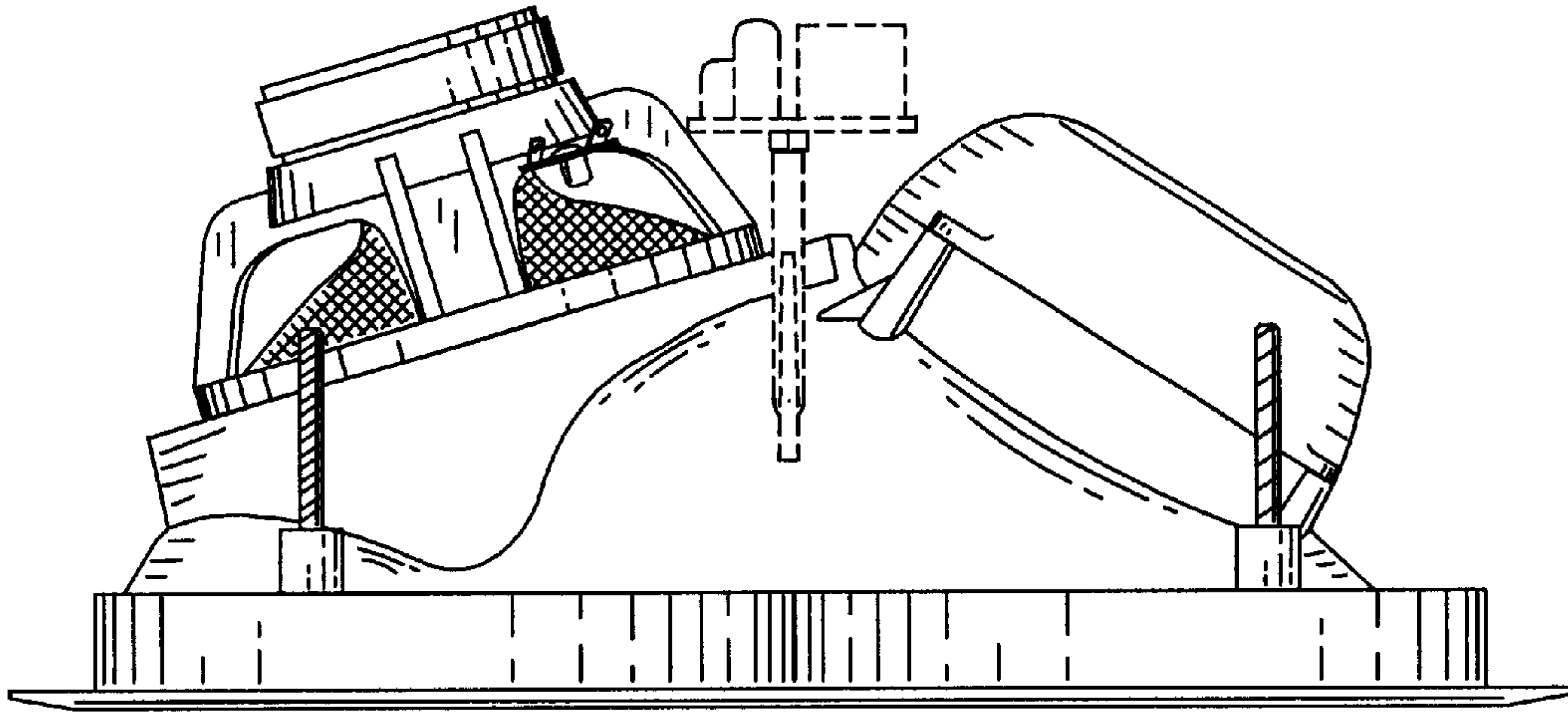


Fig. 3

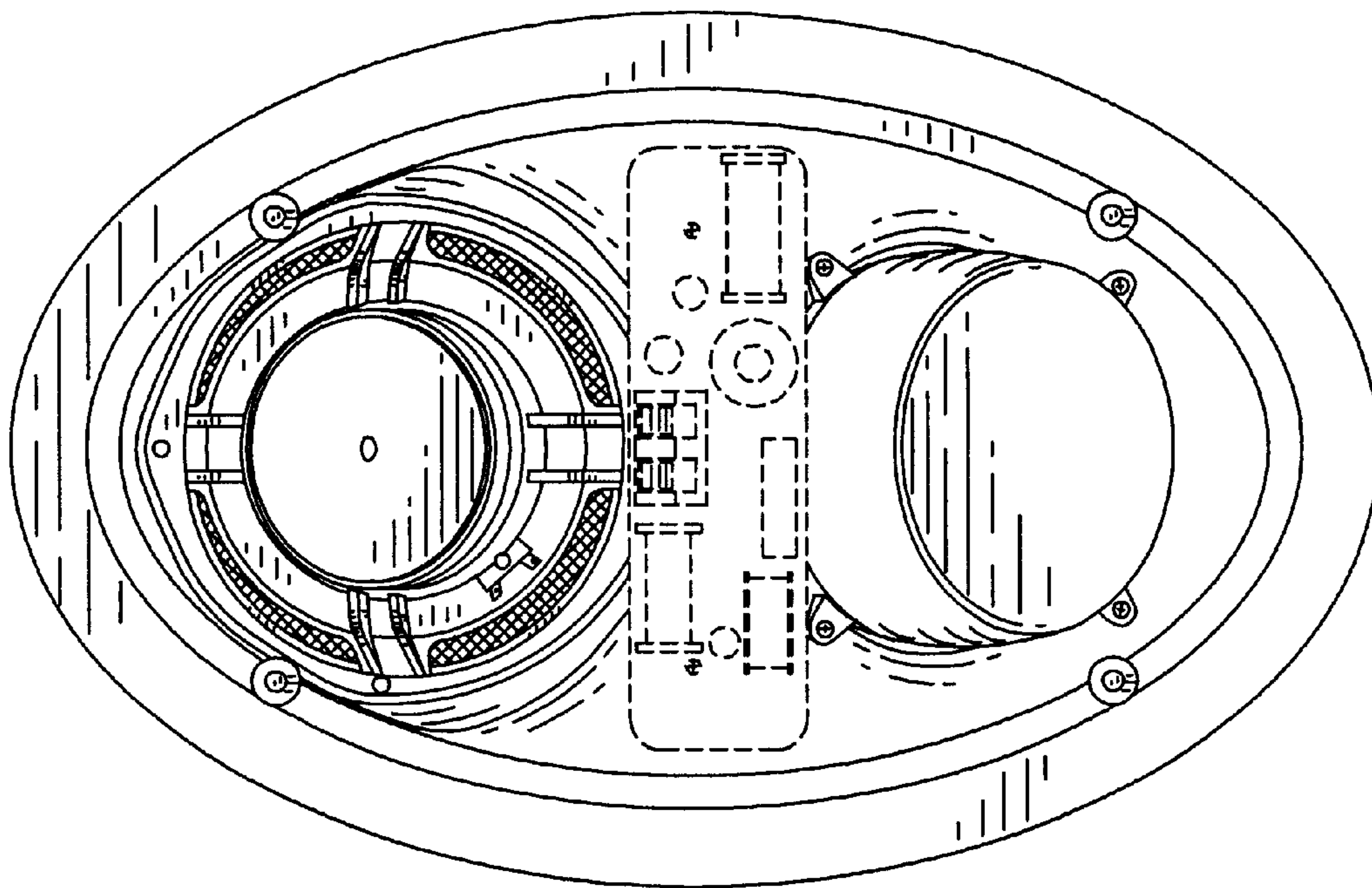


Fig. 4

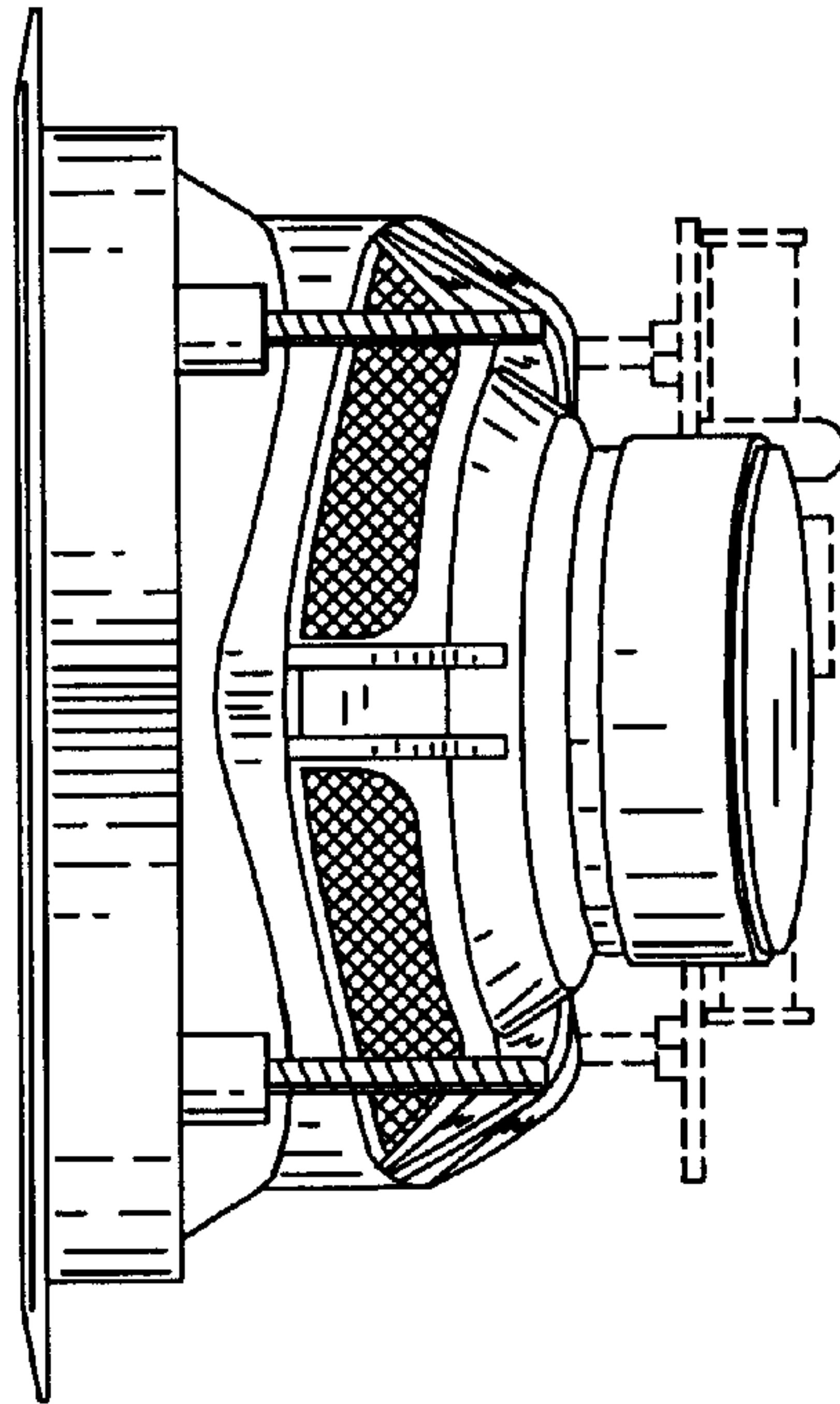


Fig. 5

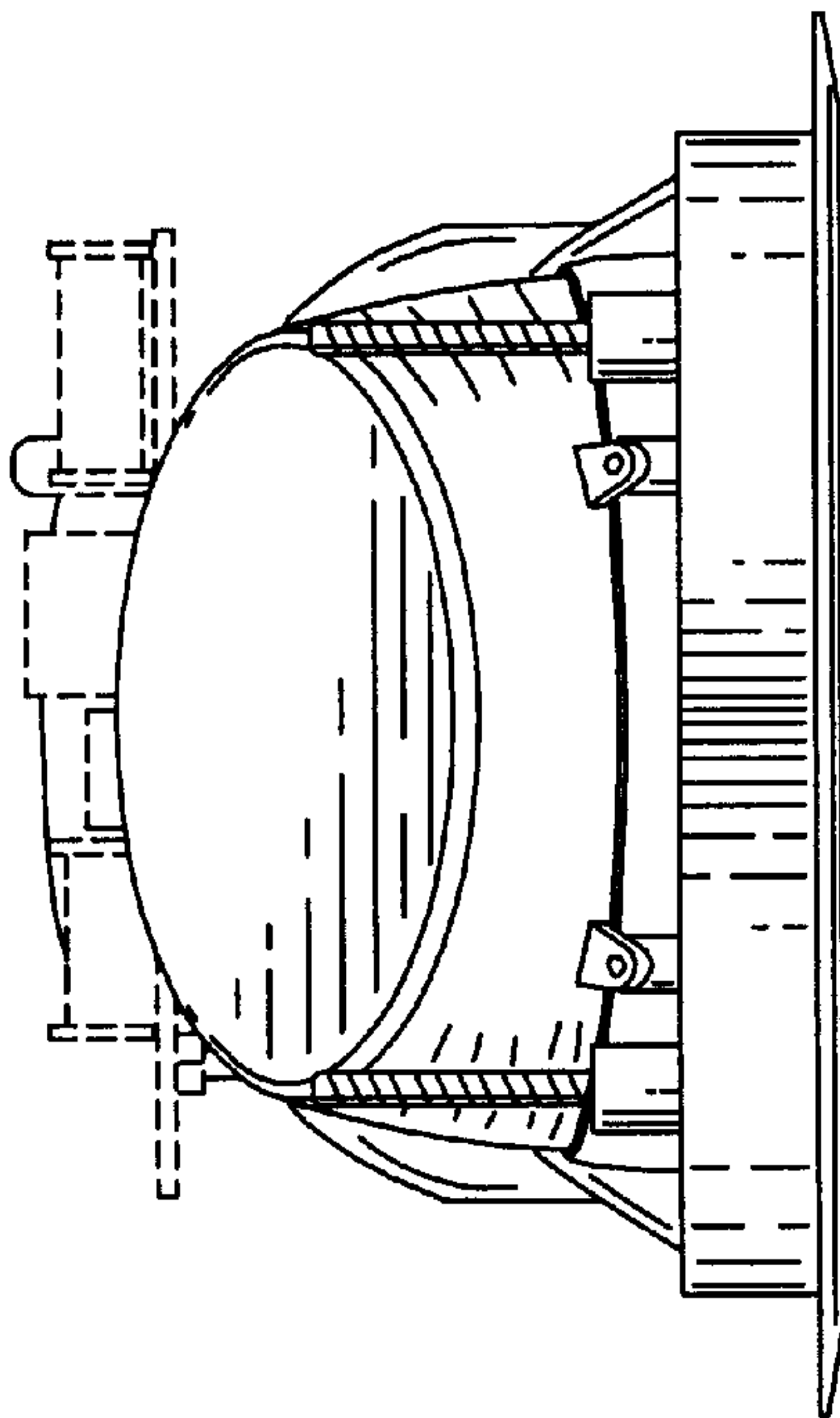


Fig. 6