

US00D543188S

(12) **United States Design Patent** (10) **Patent No.:** **US D543,188 S**
Minamide et al. (45) **Date of Patent:** **** May 22, 2007**

(54) **MOBILE PHONE**

(75) Inventors: **Keiichi Minamide**, Tokyo (JP); **Yusuru Masuda**, Tokyo (JP); **Jong-Seong Lee**, Seoul (KR)

(73) Assignee: **Samsung Electronics Co., Ltd.**, Suwon-Si (KR)

(**) **Term:** **14 Years**

(21) **Appl. No.:** **29/254,669**

(22) **Filed:** **Feb. 28, 2006**

(30) **Foreign Application Priority Data**

Dec. 6, 2005 (KR) 30-2005-0040941

(51) **LOC (8) Cl.** **14-03**

(52) **U.S. Cl.** **D14/138**

(58) **Field of Classification Search** D14/137,
D14/138, 147, 218, 341-347; 455/90.3, 556.1,
455/556.2, 575.1, 575.3, 575.4; 379/433.01-433.13;
361/814; 348/14.02

See application file for complete search history.

(56) **References Cited**

U.S. PATENT DOCUMENTS

D275,754 S	*	10/1984	Matsuda et al.	D14/218
D385,875 S	*	11/1997	Harris et al.	D14/138
D390,509 S	*	2/1998	Antzinas et al.	D14/138
D398,005 S	*	9/1998	Lee	D14/138
D483,022 S	*	12/2003	Lehtonen	D14/138
D487,069 S	*	2/2004	Thaler et al.	D14/138
D493,778 S	*	8/2004	Walliser et al.	D14/138
D496,921 S	*	10/2004	Hwang	D14/138
D502,160 S	*	2/2005	Chen et al.	D14/138
D515,528 S	*	2/2006	Miyazawa et al.	D14/138
D515,533 S	*	2/2006	Yano	D14/138
D515,536 S	*	2/2006	Lee et al.	D14/138
D515,541 S	*	2/2006	Jensfelt	D14/138
D517,039 S	*	3/2006	Lee	D14/138
D531,608 S	*	11/2006	Kim et al.	D14/138

D531,611 S	*	11/2006	Kim et al.	D14/138
2004/0162118 A1	*	8/2004	Park et al.	455/575.1
2004/0180703 A1	*	9/2004	Kim et al.	455/575.1
2006/0079303 A1	*	4/2006	Lee	455/575.4

OTHER PUBLICATIONS

Sony Ericsson V600, announced Jun. 2005, [online], [retrieved on Dec. 1, 2006]. Retrieved from Internet ,<URL: <http://www.gsmarena.com>>.*

BenQ P30, announced 1st quarter 2004, [online], [retrieved on Dec. 1, 2006]. Retrieved from Internet ,<URL: <http://www.gsmarena.com>>.*

Sagem MY X-8, announced 3rd quarter 2004, [online], [retrieved on Dec. 4, 2006]. Retrieved from Internet ,<URL: <http://www.gsmarena.com>>.*

LG B2250, announced 3rd quarter 2005, [online], [retrieved on Dec. 4, 2006]. Retrieved from Internet ,<URL: <http://www.gsmarena.com>>.*

* cited by examiner

Primary Examiner—Jeffrey Asch

Assistant Examiner—Bridget L. Eland

(74) *Attorney, Agent, or Firm*—Staas & Halsey LLP

(57) **CLAIM**

The ornamental design for the mobile phone, as shown and described.

DESCRIPTION

FIG. 1 is a perspective view of the mobile phone showing our design;

FIG. 2 is a front view thereof;

FIG. 3 is a rear view thereof;

FIG. 4 is a left side view thereof;

FIG. 5 is a right side view thereof;

FIG. 6 is a top plan view thereof;

FIG. 7 is a bottom plan view thereof; and,

FIG. 8 is a perspective, showing the movable panel rotated to an alternate position.

1 Claim, 4 Drawing Sheets

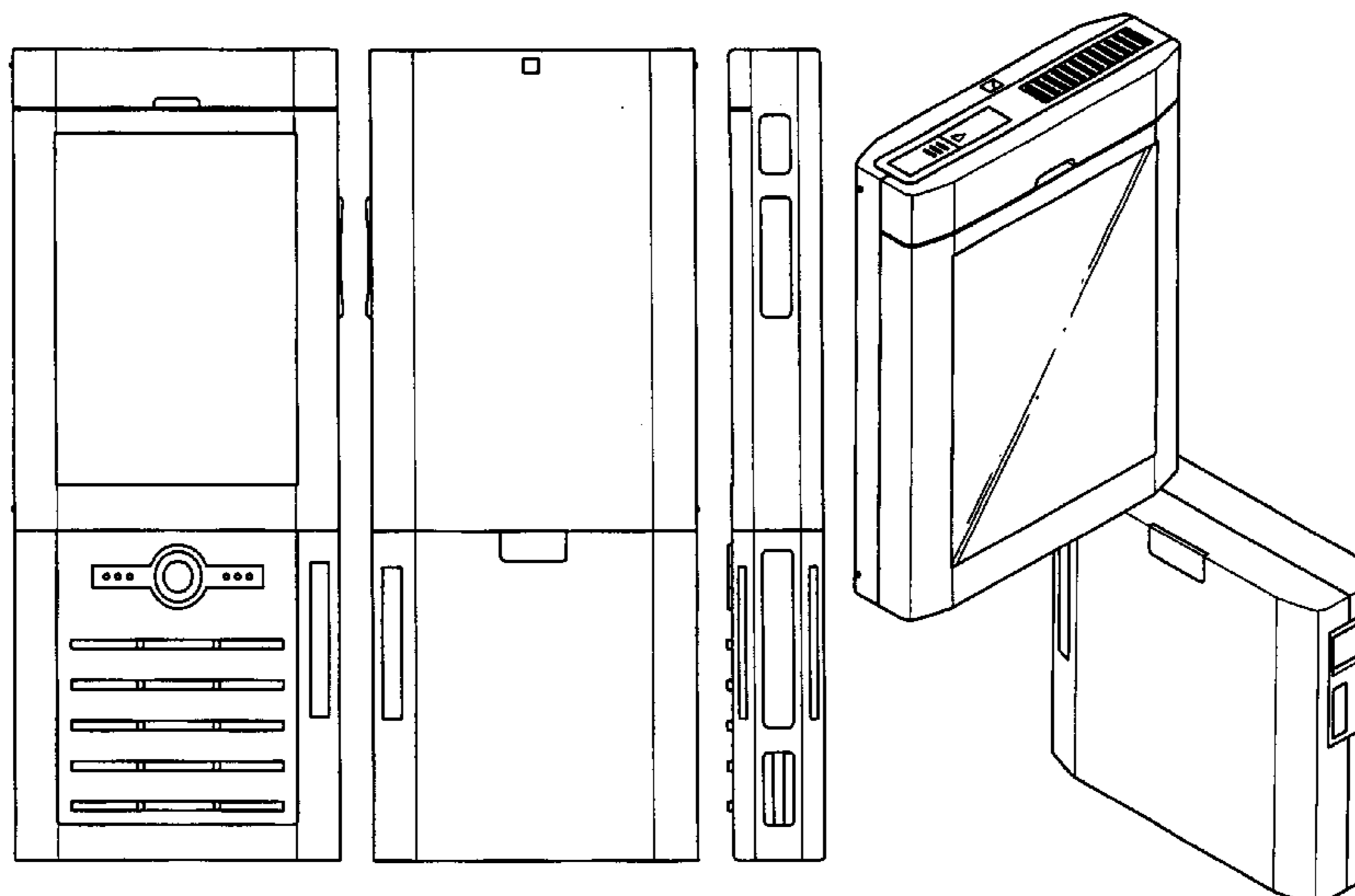


FIG. 1

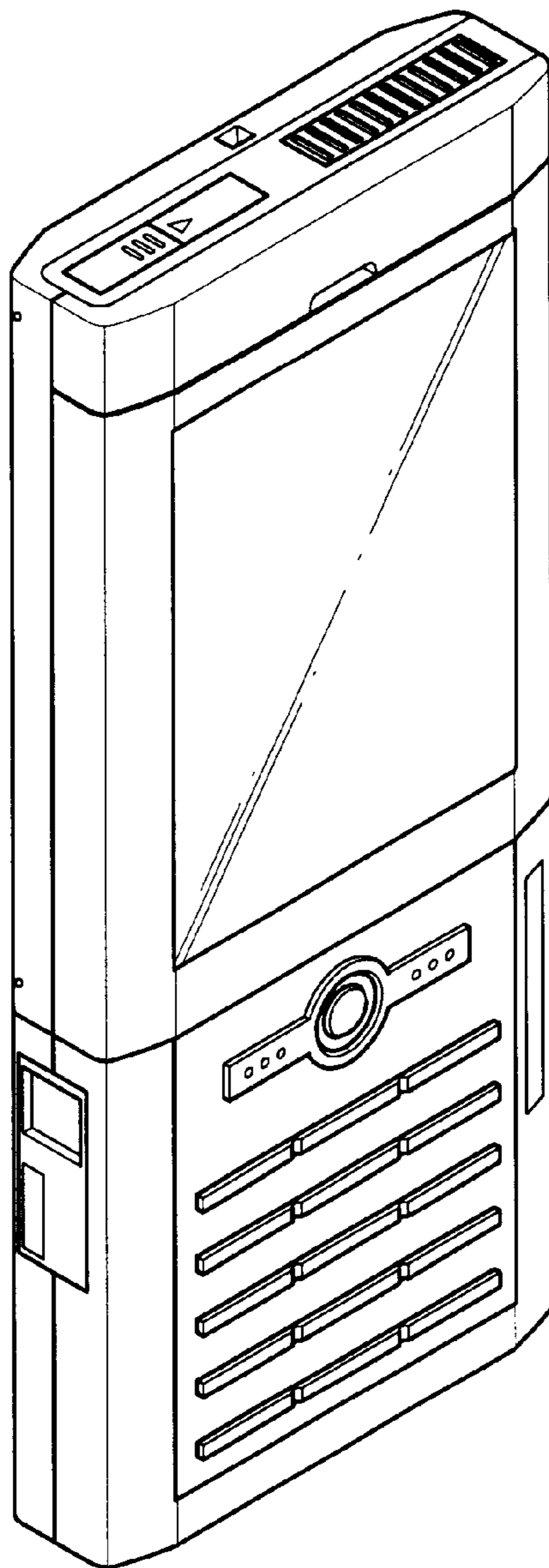


FIG. 2

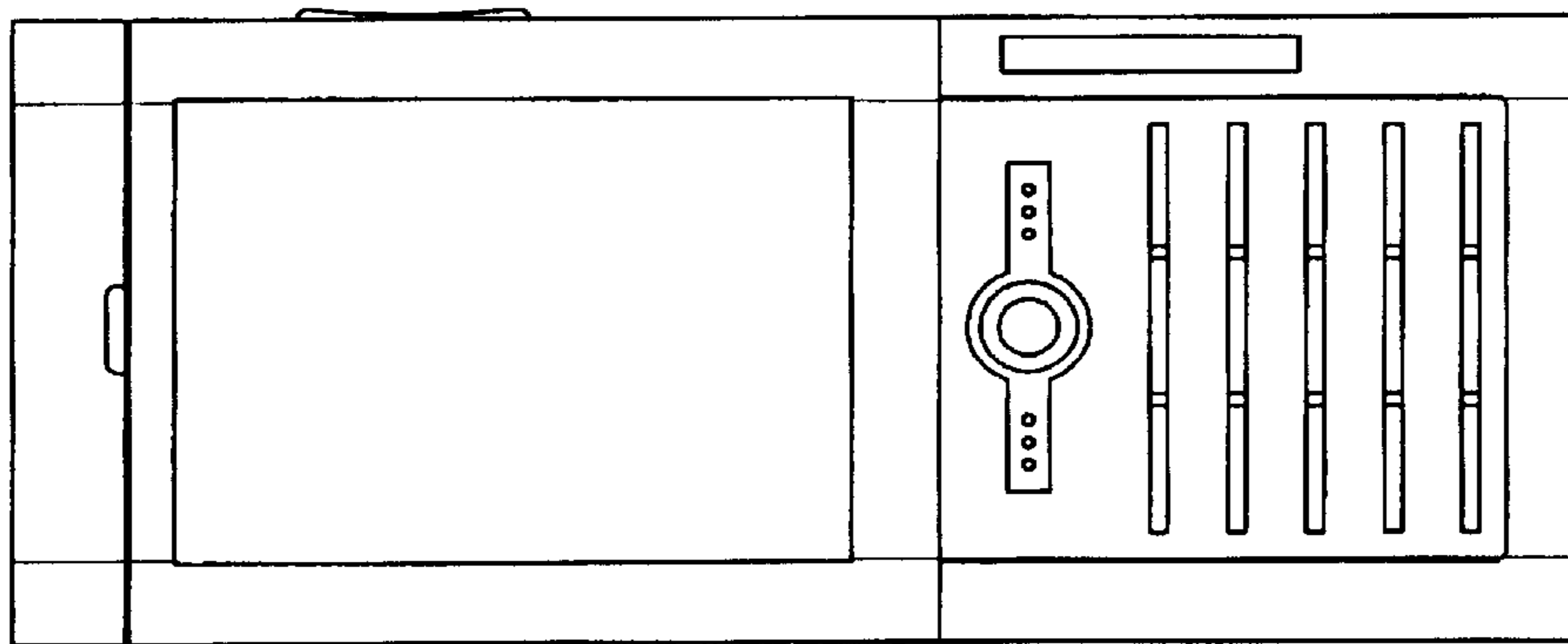


FIG. 3

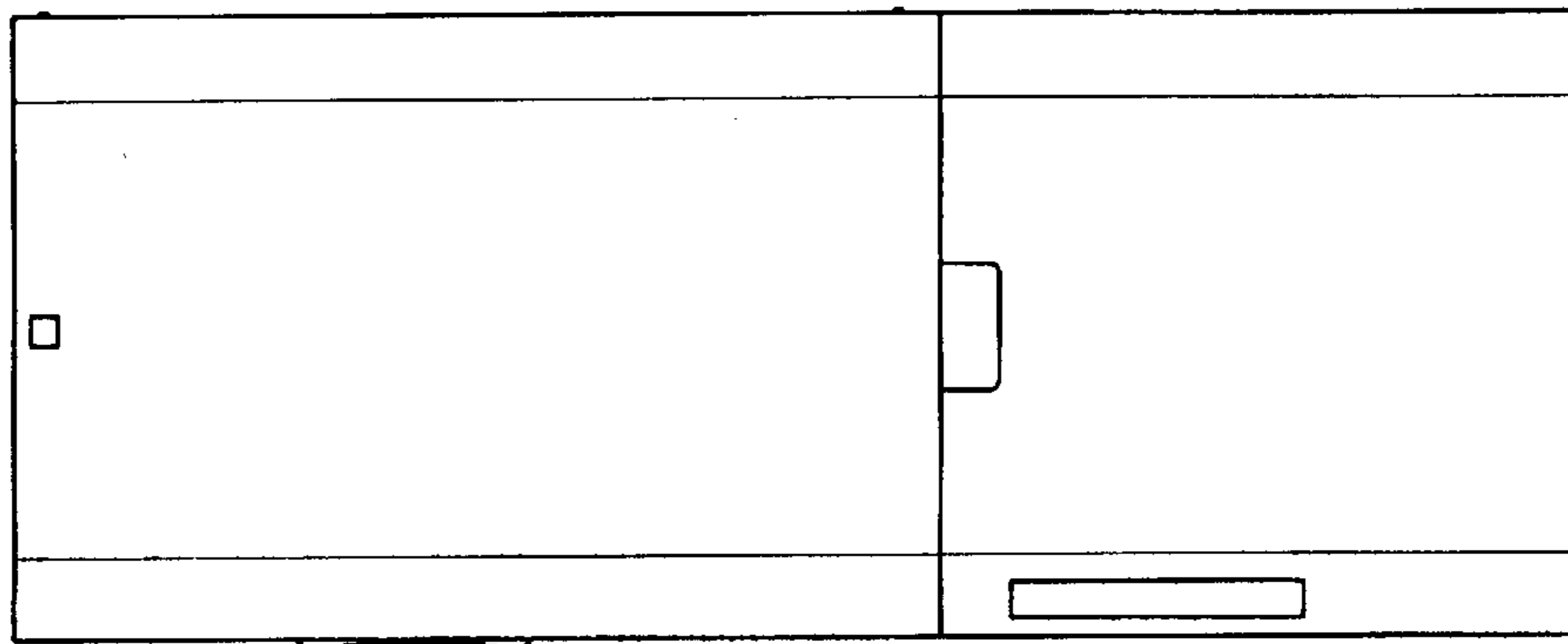


FIG. 4

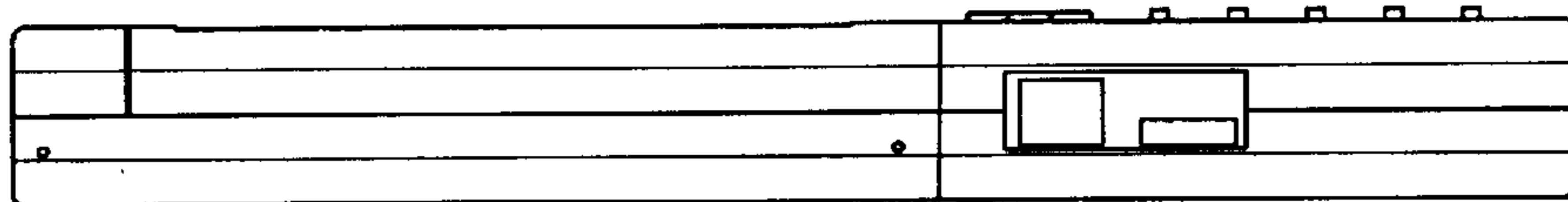


FIG. 5

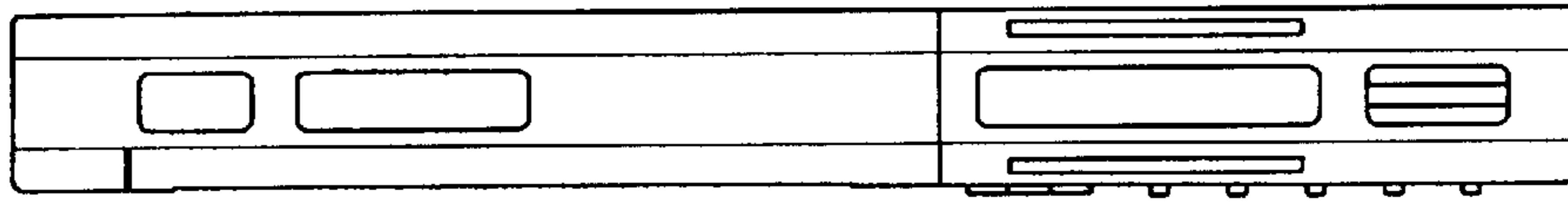


FIG. 6

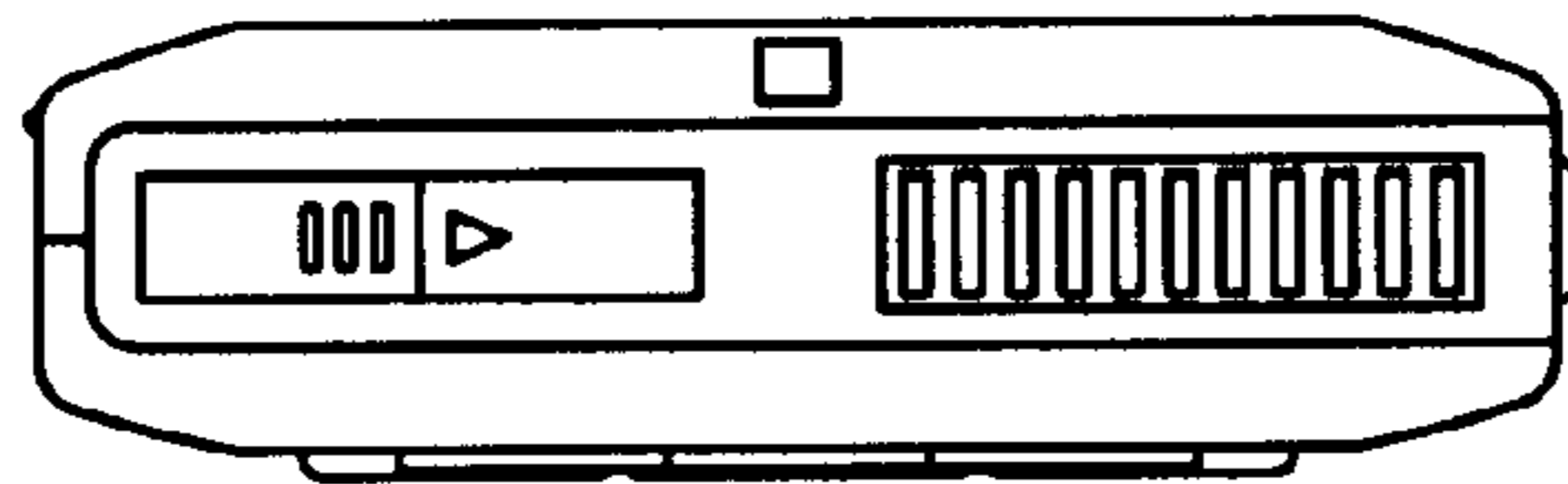


FIG. 7

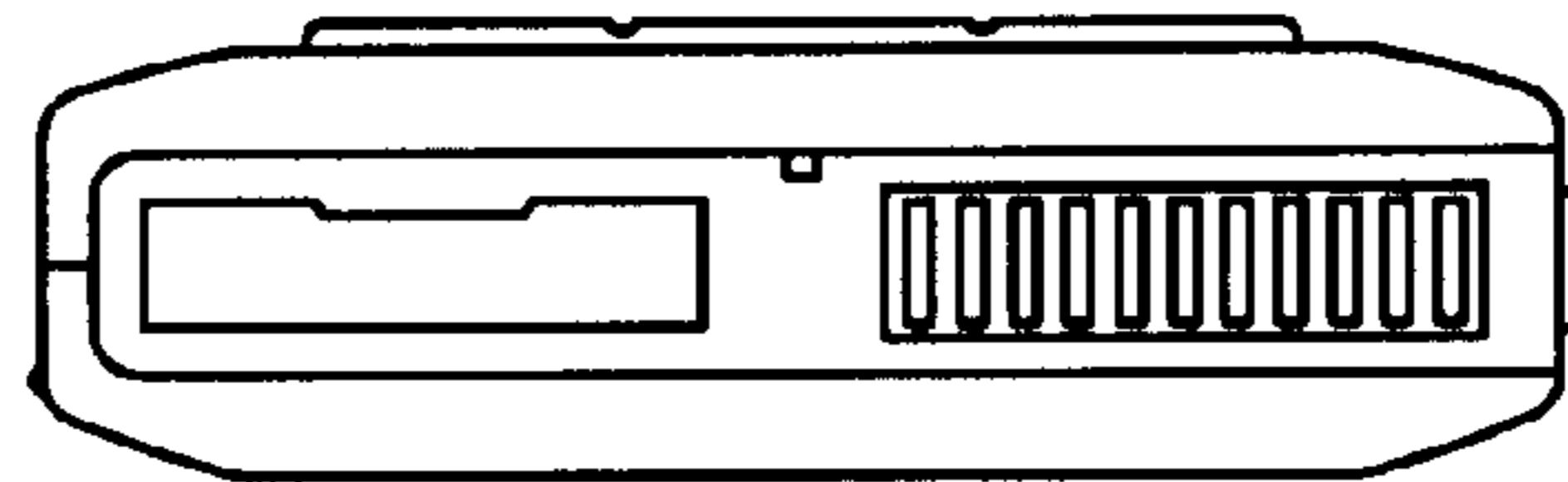


FIG. 8

