



US00D543181S

(12) **United States Design Patent**
Ra

(10) **Patent No.:** **US D543,181 S**
(45) **Date of Patent:** **** May 22, 2007**

(54) **FOLDER-TYPE CELLULAR PHONE WITH DIGITAL CAMERA**

(76) Inventor: **Chan Ha Ra**, 201Ho, 852-1, Seojeong-dong, Pyeongtaek-si, Gyeonggi-do (KR)

(**) Term: **14 Years**

(21) Appl. No.: **29/252,566**

(22) Filed: **Jan. 25, 2006**

(30) **Foreign Application Priority Data**

Aug. 11, 2005 (KR) 30-2005-0027020

(51) **LOC (8) Cl.** **14-03**

(52) **U.S. Cl.** **D14/138; D14/143**

(58) **Field of Classification Search** D14/137-138, D14/143, 144, 147-148, 150, 191, 218, 240, D14/242, 247-248, 341-347; D21/517; 379/433.01-433.13, 379/434; 455/575.1, 566, 566.1, 550.1-90.3; D10/70, 92, 104; D18/7; D26/73; D13/168

See application file for complete search history.

(56) **References Cited**

U.S. PATENT DOCUMENTS

D210,689 S	*	4/1968	Rhoades	D10/92
D282,741 S	*	2/1986	Rivette et al.	D14/143
D290,839 S	*	7/1987	Chen	D14/143
D310,093 S	*	8/1990	Sakaguchi et al.	D18/7
D340,306 S	*	10/1993	Friend et al.	D26/73
D444,780 S	*	7/2001	Nunez	D14/191
D446,740 S	*	8/2001	Cruitt	D10/104
D455,135 S	*	4/2002	Hyun	D14/138
D501,801 S	*	2/2005	Wolff	D10/70
D507,254 S	*	7/2005	Chen	D14/138

D512,395 S		12/2005	Kim et al.	
D513,505 S		1/2006	Lee	
D526,227 S	*	8/2006	Oas D10/70
2002/0094846 A1	*	7/2002	Kishimoto et al. 455/566
2003/0199290 A1	*	10/2003	Viertola 455/575.1

OTHER PUBLICATIONS

“Disney Princess Pink Corded Telephone (CP)”, 1 p including photo [online], <URL:http://www.customphones.com/item133778.ctlg>, site visited Aug. 28, 2006.*

* cited by examiner

Primary Examiner—Charles A. Rademaker

Assistant Examiner—Carla Jobe Wright

(74) *Attorney, Agent, or Firm*—Stites & Harbison PLLC; Douglas E. Jackson

(57) **CLAIM**

The ornamental design for a folder-type cellular phone with digital camera, as shown and described.

DESCRIPTION

FIG. 1 is a perspective front, top and left side view of the folder-type cellular phone with digital camera showing my new design.

FIG. 2 is a front view thereof.

FIG. 3 is a rear view thereof.

FIG. 4 is a left side view thereof.

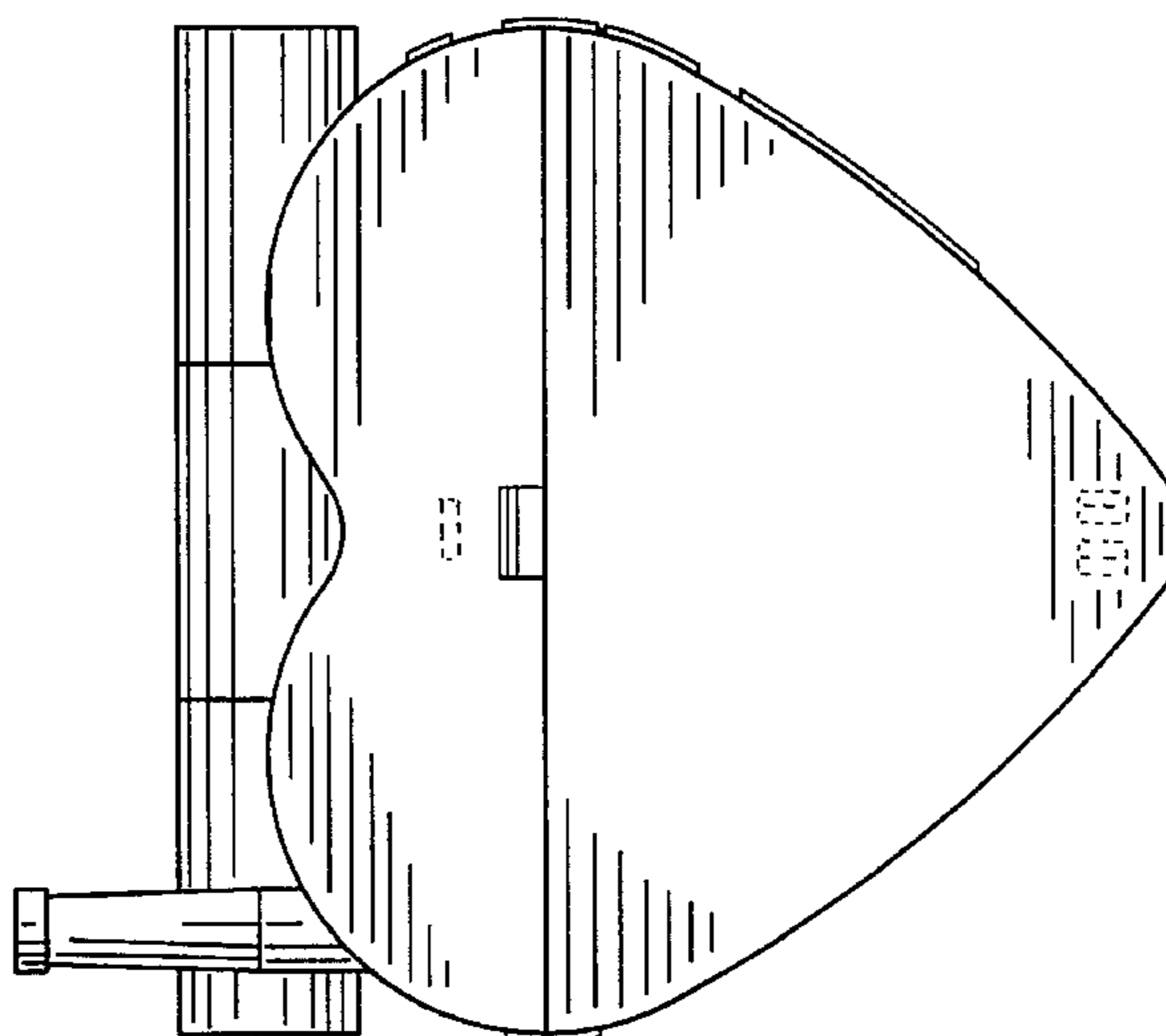
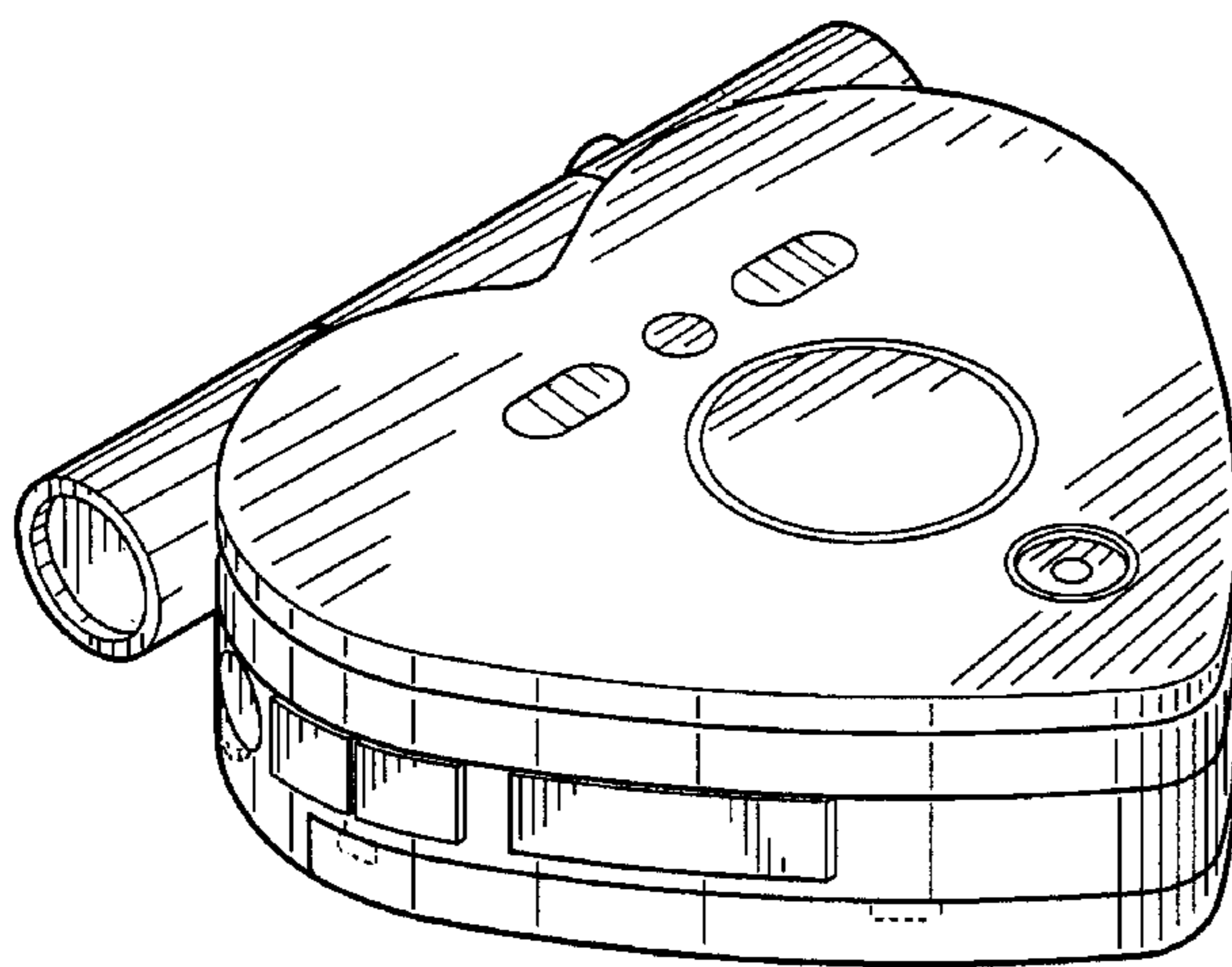
FIG. 5 is a right side view thereof.

FIG. 6 is a top view thereof; and,

FIG. 7 is a bottom view thereof.

The broken line showing of environmental features is for illustrative purposes only and forms no part of the claimed design.

1 Claim, 4 Drawing Sheets



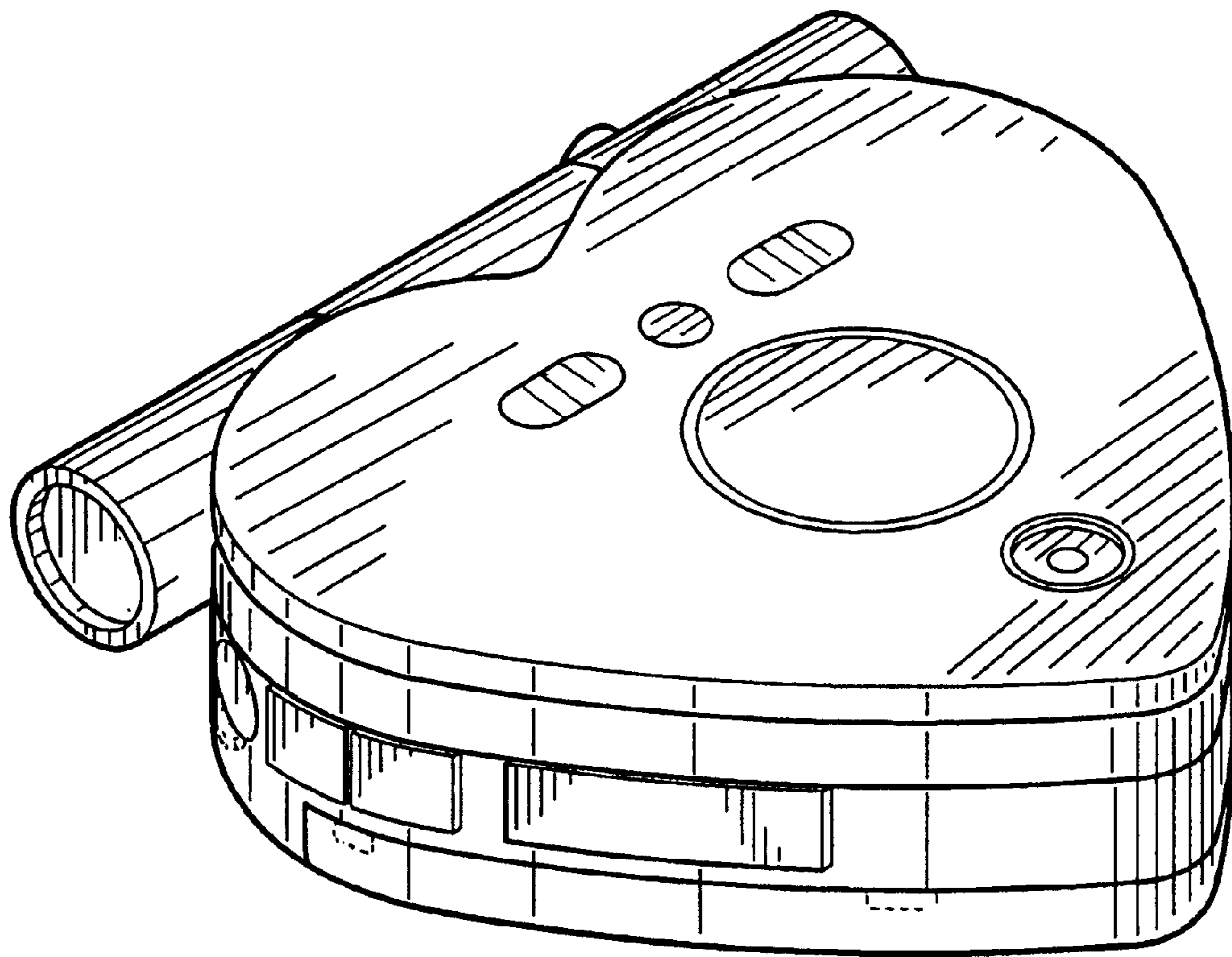


FIG. 1

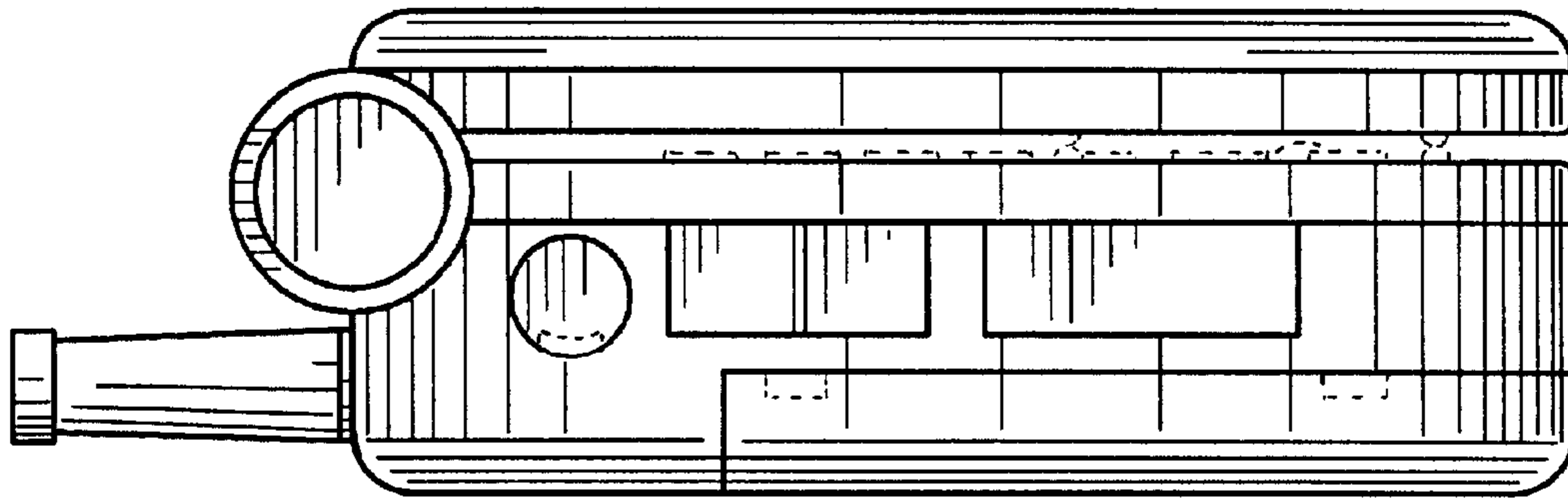


FIG. 2

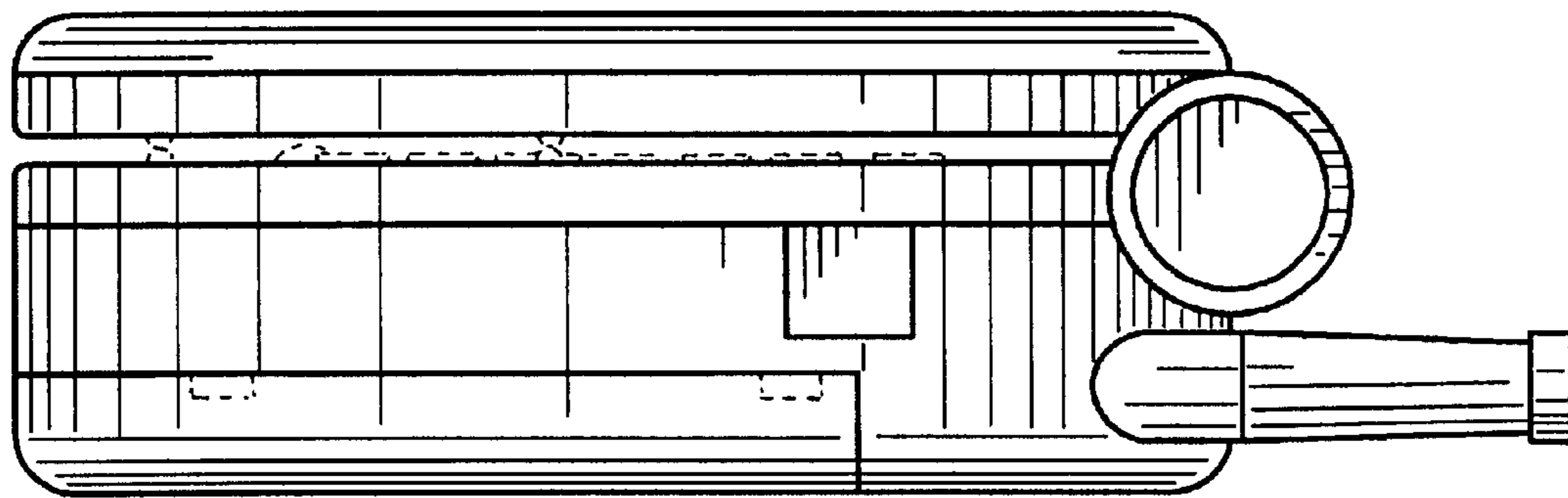


FIG. 3

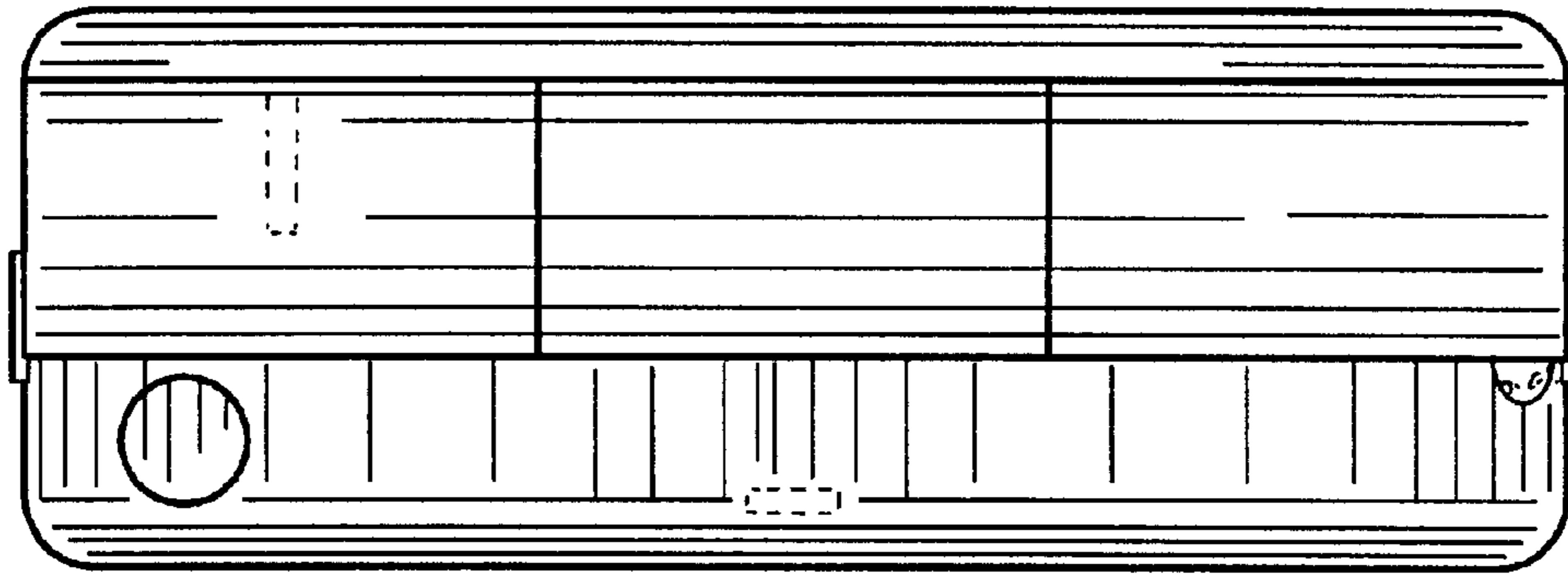


FIG. 4

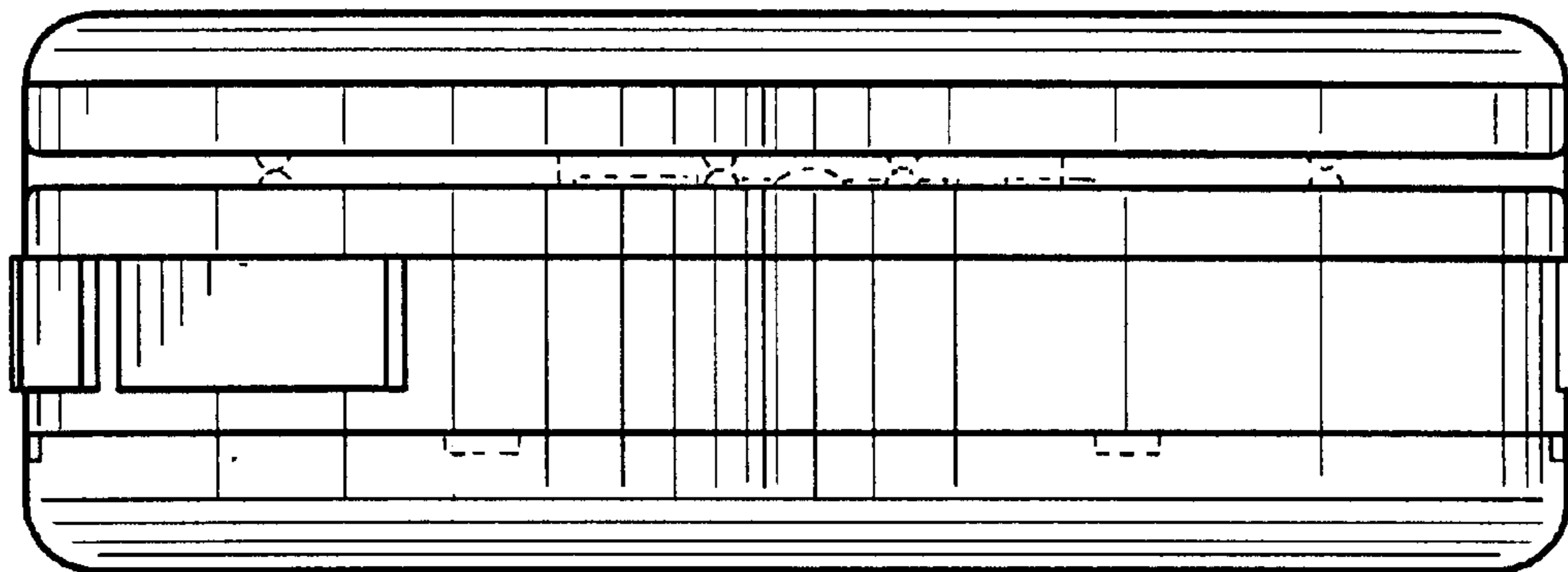


FIG. 5

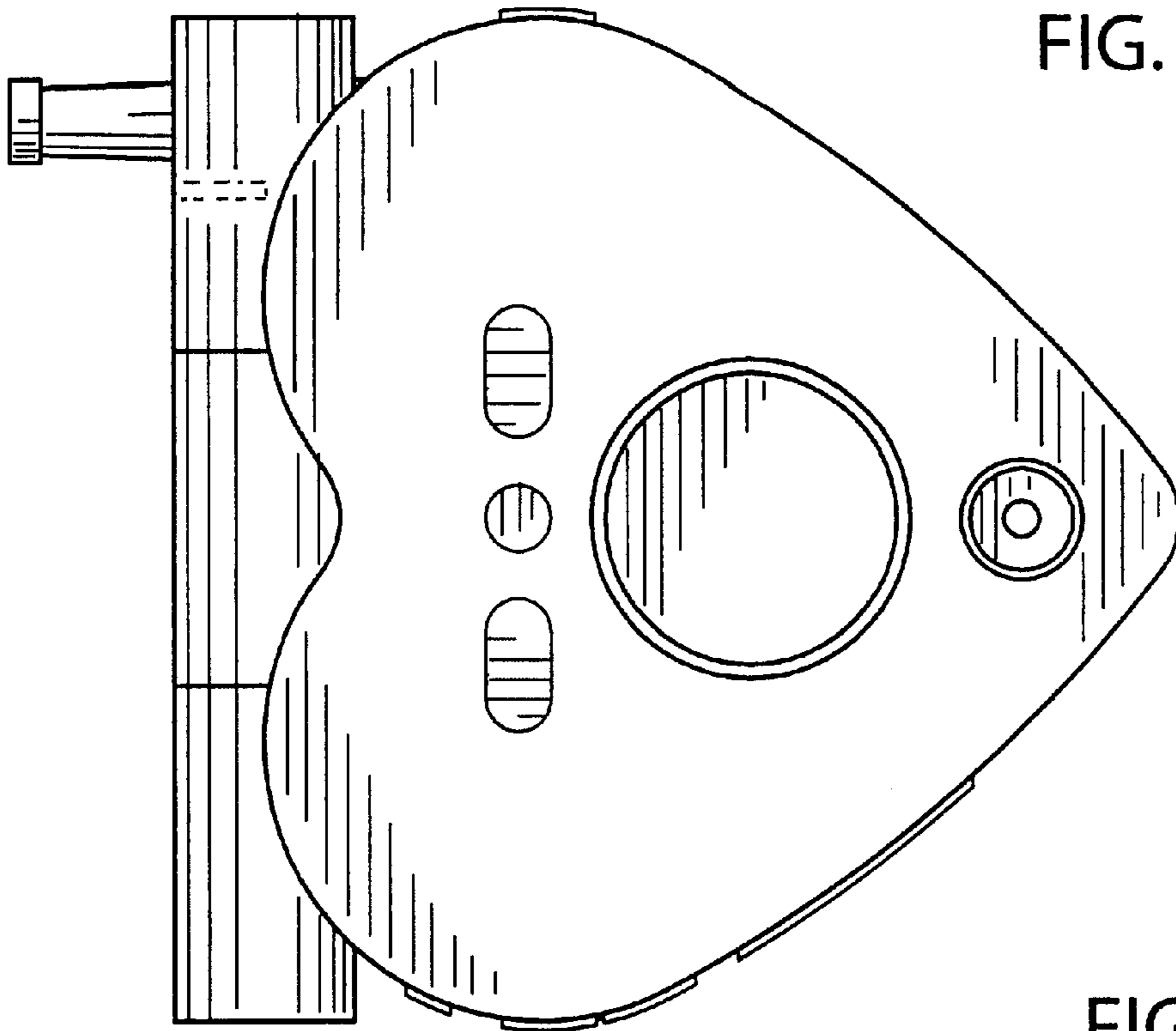


FIG. 6

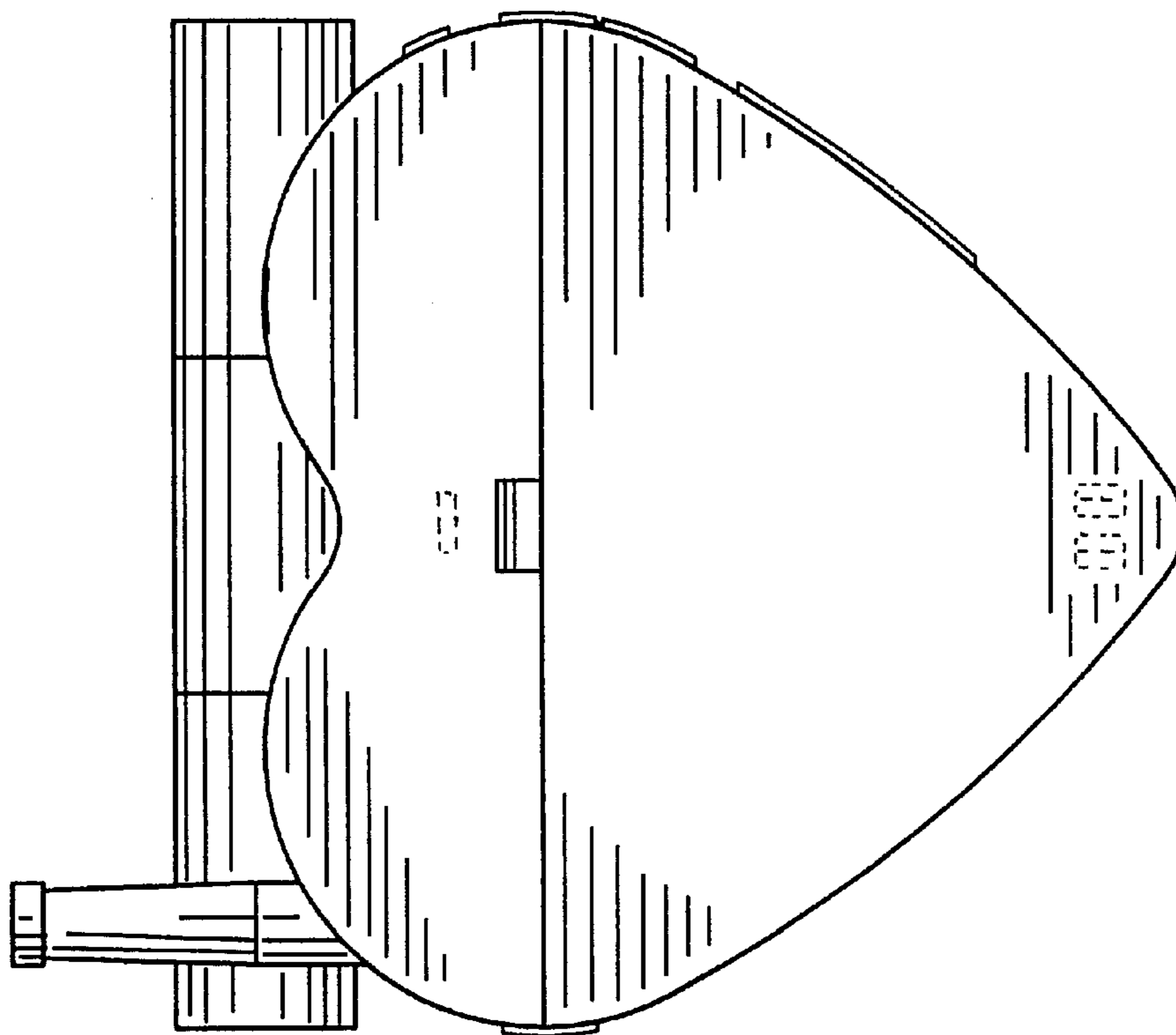


FIG. 7