

US00D543176S

(12) **United States Design Patent**  
**Hyun et al.**

(10) **Patent No.:** **US D543,176 S**

(45) **Date of Patent:** **\*\* May 22, 2007**

(54) **PORTABLE PHONE**

(75) Inventors: **Sang-Min Hyun**, Seoul (KR);  
**Jun-Sang Park**, Anyang-si (KR);  
**Chang-Soo Lee**, Incheon (KR)

(73) Assignee: **Samsung Electronics Co., Ltd.**,  
Suwon-Si (KR)

(\*\*) **Term:** **14 Years**

(21) **Appl. No.:** **29/241,470**

(22) **Filed:** **Oct. 28, 2005**

(30) **Foreign Application Priority Data**

Apr. 28, 2005 (KR) ..... 30-2005-0014438

(51) **LOC (8) Cl.** ..... **14-03**

(52) **U.S. Cl.** ..... **D14/138; D14/341; D16/208**

(58) **Field of Classification Search** ..... D14/137-138,  
D14/144, 156, 147-148, 247-248, 341-347,  
D14/496; D21/329, 331, 333; 379/433.01-433.13;  
348/14.01, 14.02, 376; 455/556.1, 556.2,  
455/566, 575.1, 575.4, 90.3; D16/200, 208,  
D16/211

See application file for complete search history.

(56) **References Cited**

**U.S. PATENT DOCUMENTS**

D492,323 S \* 6/2004 Wang ..... D14/496  
D511,342 S \* 11/2005 Chien ..... D14/346  
D512,393 S \* 12/2005 Lee et al. .... D14/138

D526,301 S \* 8/2006 Shin ..... D14/138  
D526,302 S \* 8/2006 Kim ..... D14/138  
D528,090 S \* 9/2006 Lee et al. .... D14/138  
D528,093 S \* 9/2006 Yang et al. .... D14/138  
D529,045 S \* 9/2006 Shin ..... D14/496  
D530,699 S \* 10/2006 Lee et al. .... D14/138  
2004/0203535 A1 \* 10/2004 Kim et al. .... 455/90.3  
2005/0107119 A1 \* 5/2005 Lee et al. .... 455/556.1

**FOREIGN PATENT DOCUMENTS**

WO DM/061134 \* 8/2002

\* cited by examiner

*Primary Examiner*—Ian Simmons

*Assistant Examiner*—Carla Jobe Wright

(74) *Attorney, Agent, or Firm*—Staas & Halsey LLP

(57) **CLAIM**

The ornamental design for a portable phone, as shown and described.

**DESCRIPTION**

FIG. 1 is a perspective view of the portable phone showing our design;

FIG. 2 is a front view thereof;

FIG. 3 is a rear view thereof;

FIG. 4 is a left side view thereof;

FIG. 5 is a right side view thereof;

FIG. 6 is a top plan view thereof;

FIG. 7 is a bottom plan view thereof; and,

FIG. 8 is a perspective, partially open view thereof.

**1 Claim, 8 Drawing Sheets**

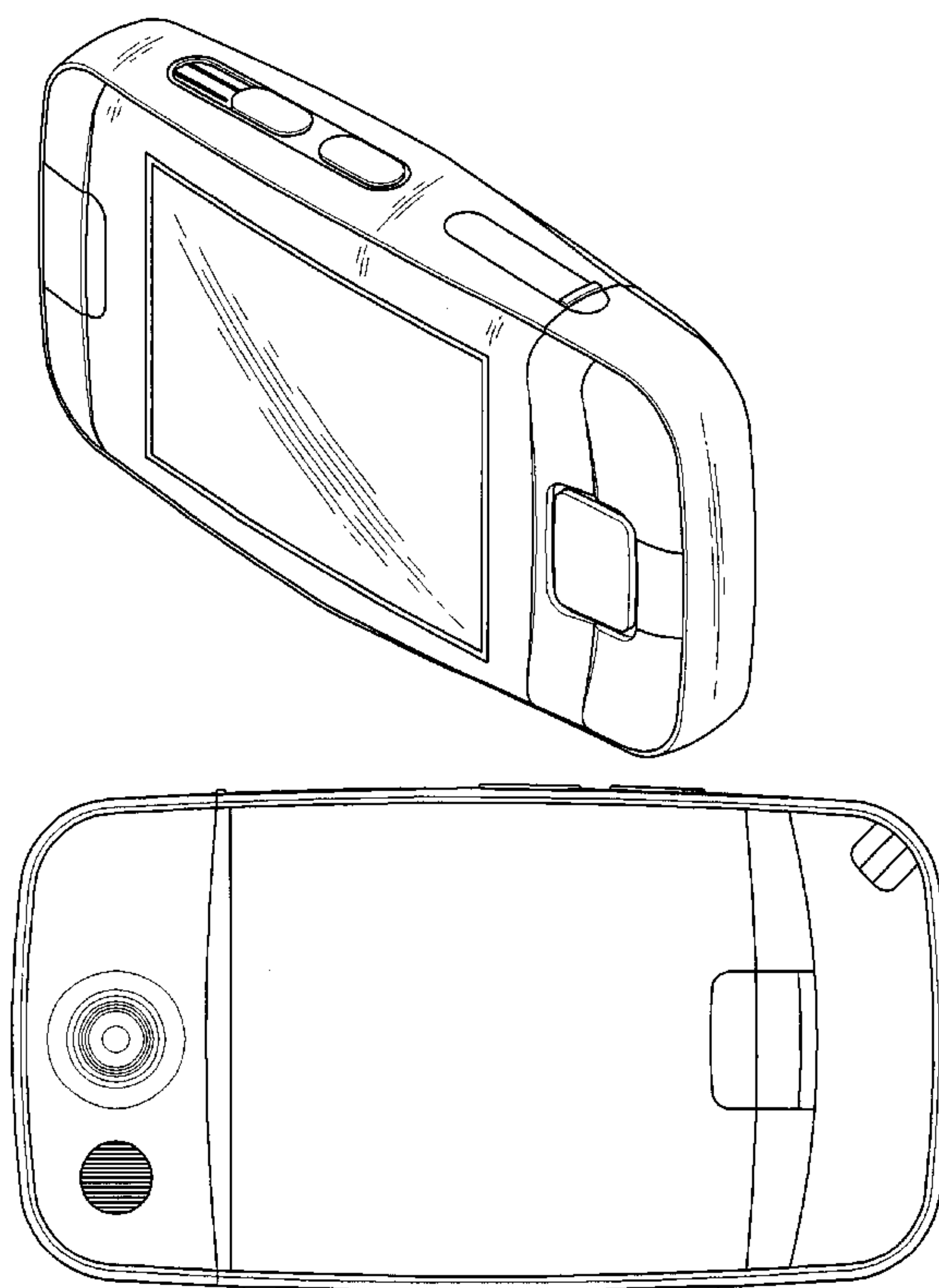
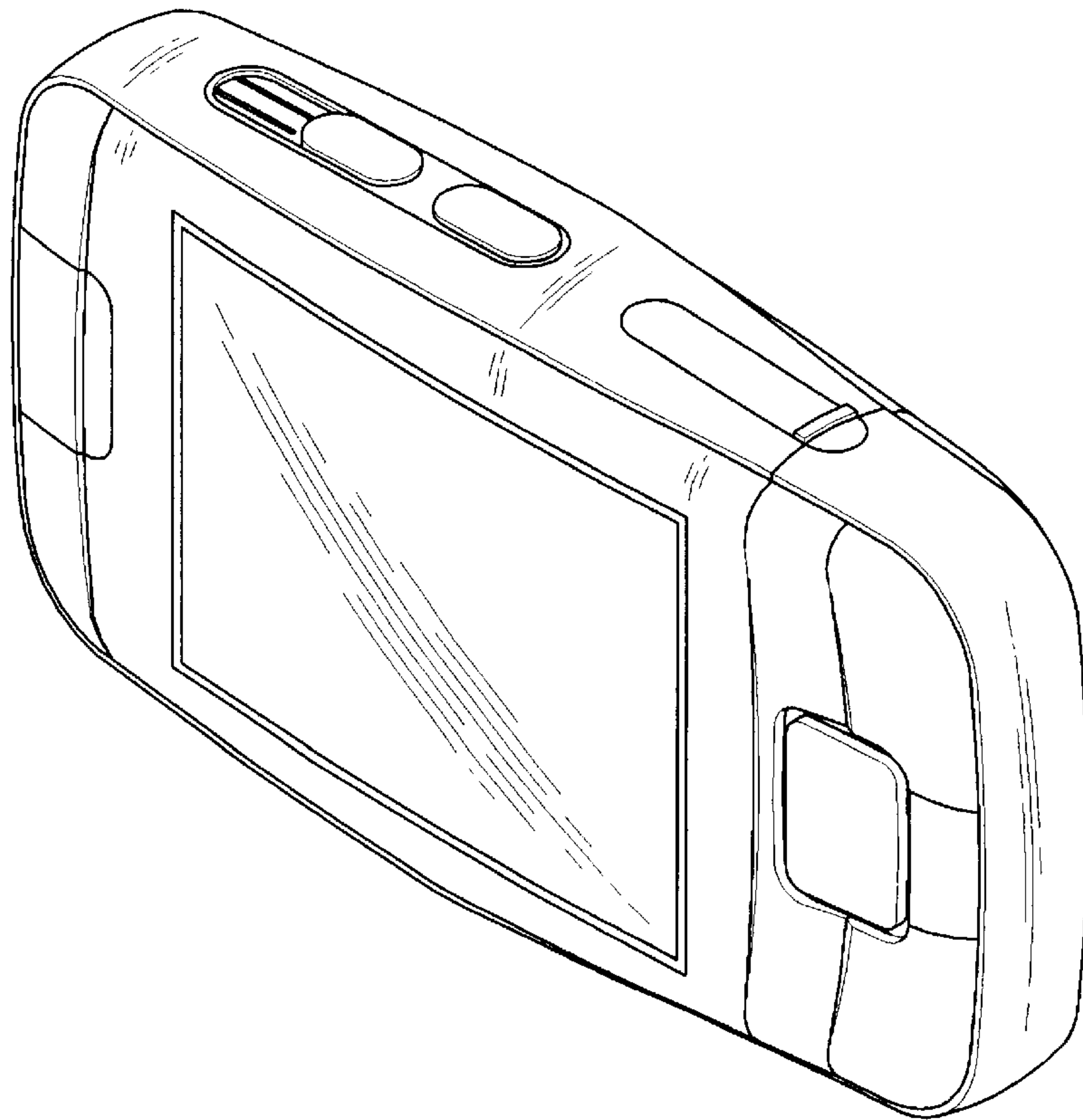


FIG. 1



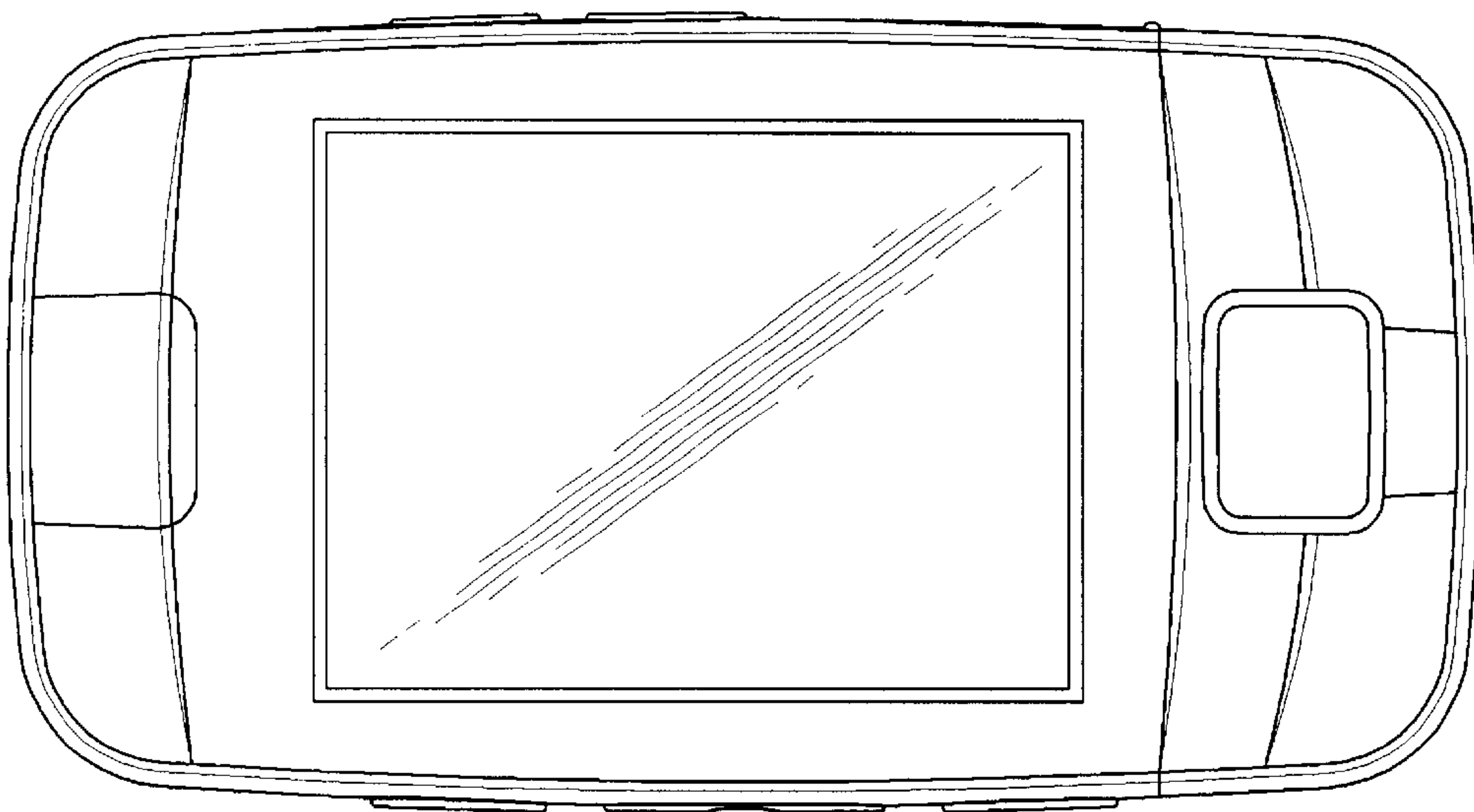


FIG. 2

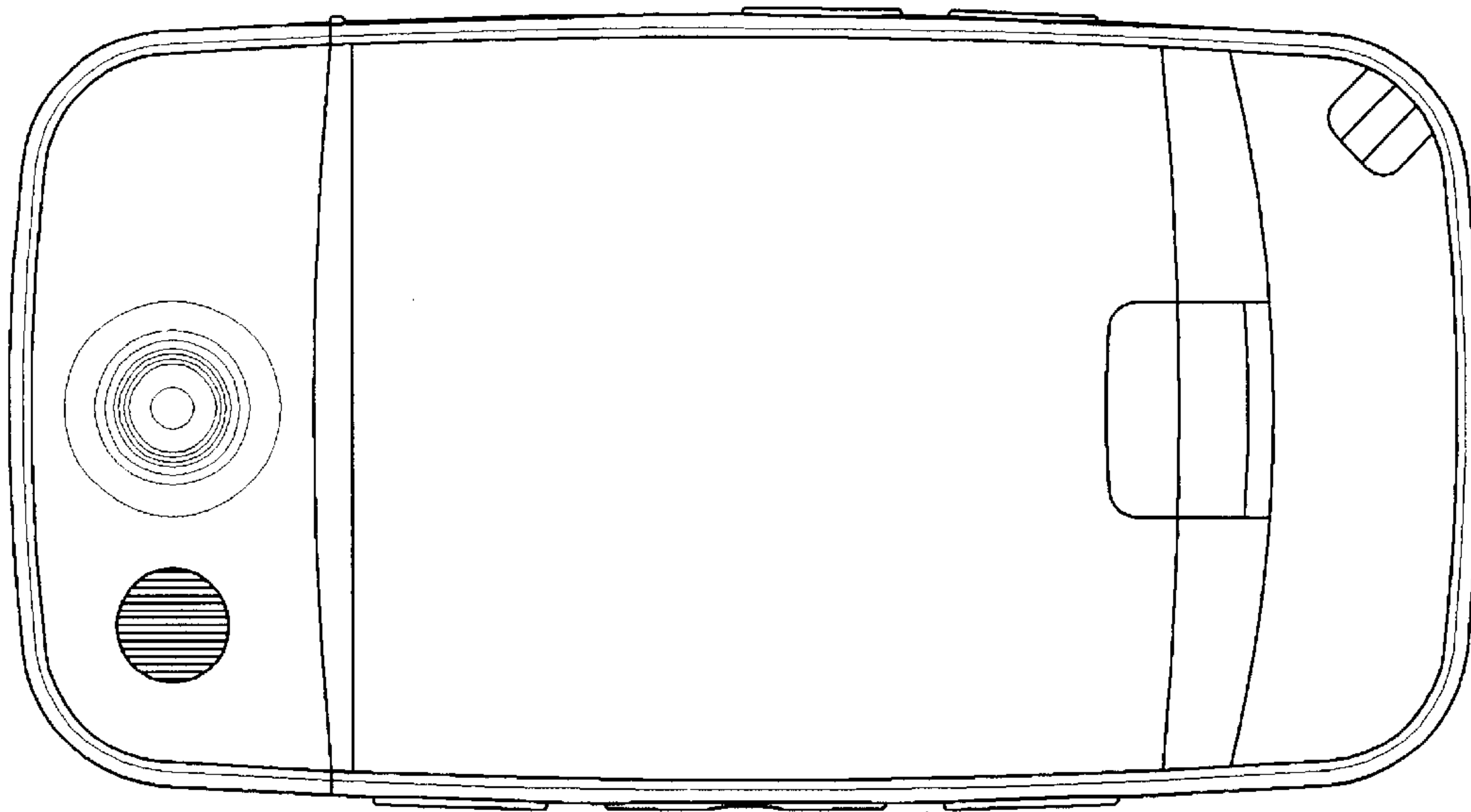
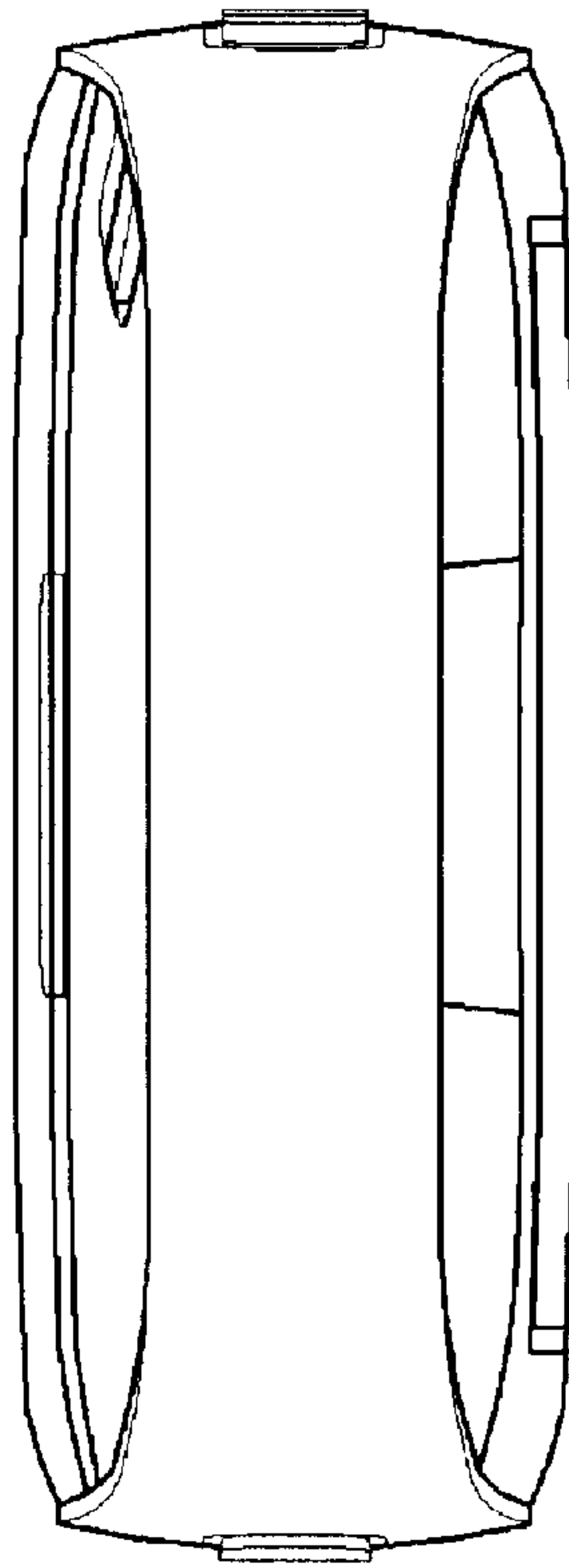
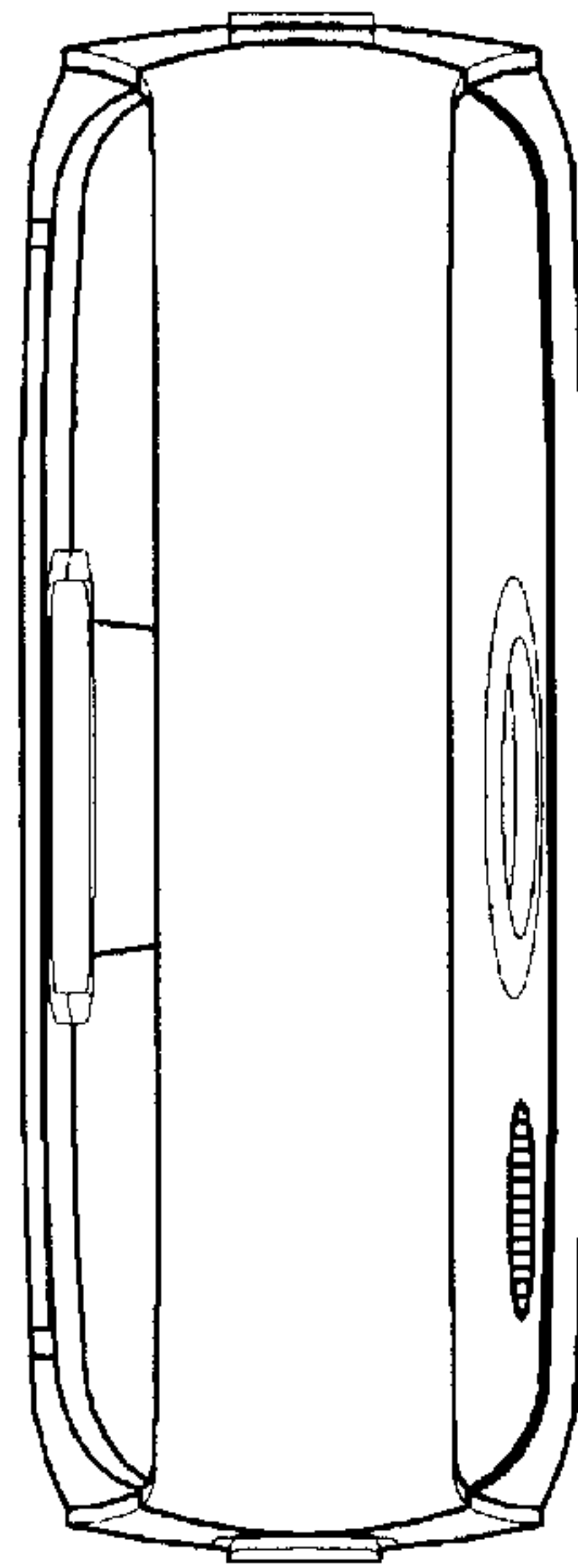


FIG. 3



**FIG. 4**



**FIG. 5**

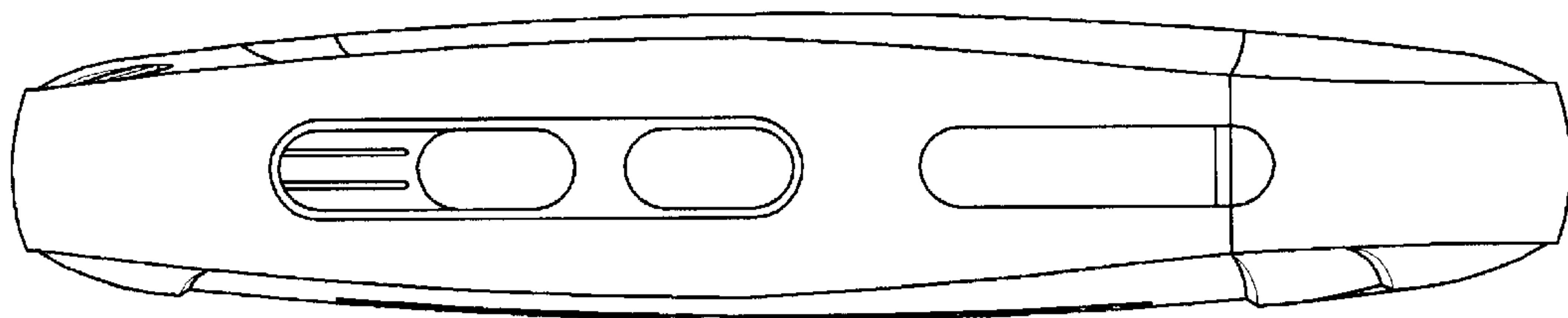


FIG. 6

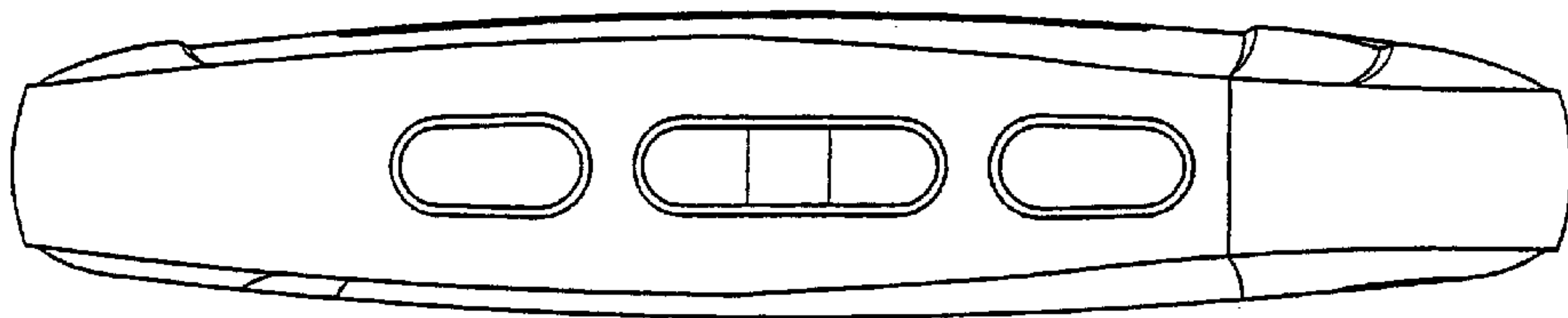


FIG. 7



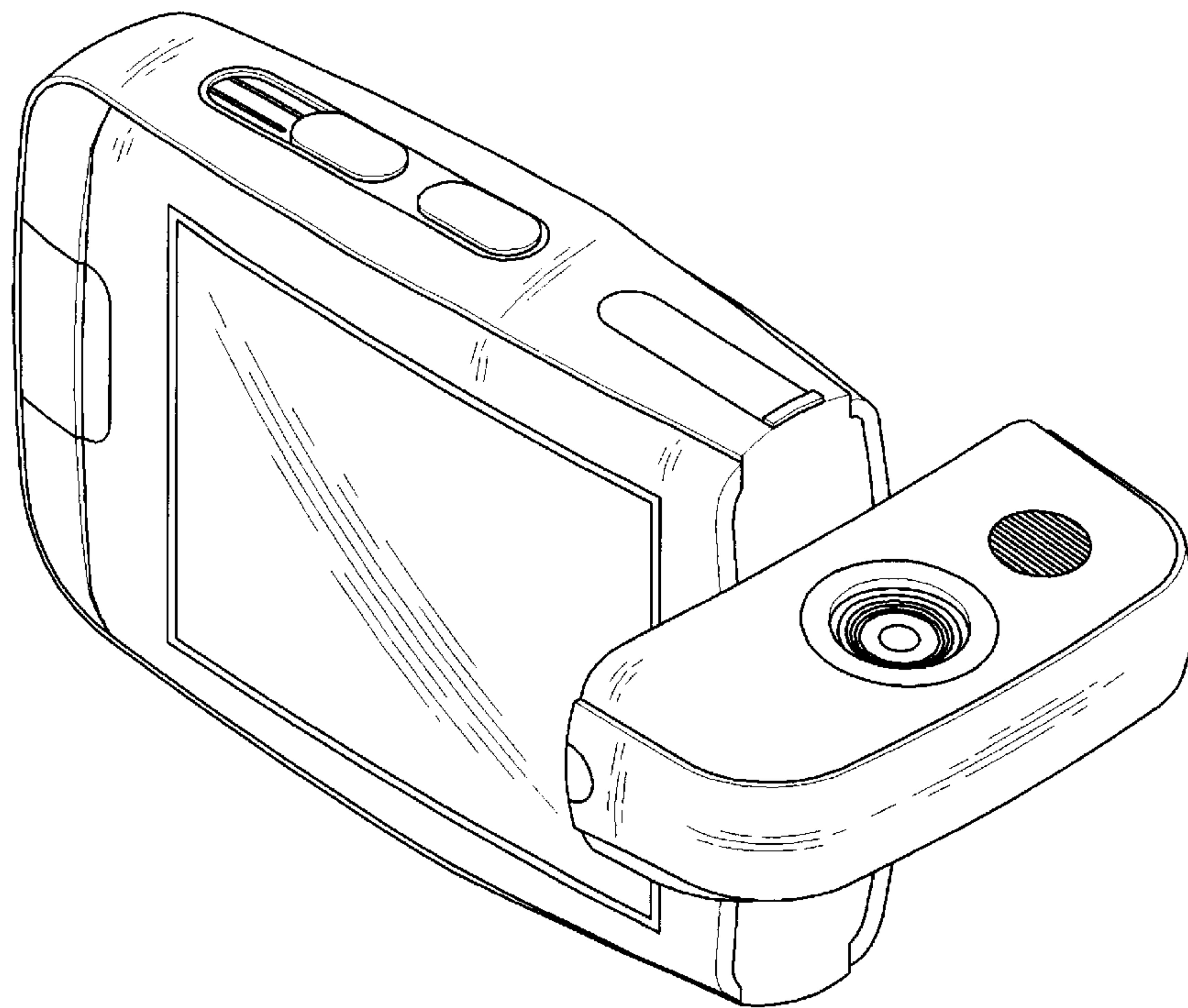


FIG. 8