

US00D543175S

(12) **United States Design Patent**
Park et al.

(10) **Patent No.:** **US D543,175 S**

(45) **Date of Patent:** **** May 22, 2007**

(54) **PORTABLE PHONE**

(75) Inventors: **Jun-Sang Park**, Anyang-si (KR);
Sang-Min Hyun, Seoul (KR);
Chang-Soo Lee, Incheon (KR)

(73) Assignee: **Samsung Electronics Co., Ltd.**,
Suwon-Si (KR)

(**) Term: **14 Years**

(21) Appl. No.: **29/241,450**

(22) Filed: **Oct. 28, 2005**

(30) **Foreign Application Priority Data**

Apr. 28, 2005 (KR) 30-2005-0014442

(51) **LOC (8) Cl.** **14-03**

(52) **U.S. Cl.** **D14/138; D16/208**

(58) **Field of Classification Search** D14/137-138,
D14/144, 156, 147-148, 247-248, 341-347,
D14/496; D21/329, 331, 333; 379/433.01-433.13;
348/14.01, 14.02, 376; 455/556.1, 556.2,
455/566, 575.1, 575.4, 90.3; D16/200, 208,
D16/211

See application file for complete search history.

(56) **References Cited**

U.S. PATENT DOCUMENTS

D432,099 S * 10/2000 Loh et al. D14/345
D467,235 S * 12/2002 Hawkins et al. D14/138
D492,323 S * 6/2004 Wang D14/496

D498,736 S * 11/2004 Lee D14/138
D507,551 S * 7/2005 Kim et al. D14/138
D519,973 S * 5/2006 Chung et al. D14/138
D520,976 S * 5/2006 LaDelfa D14/138
D529,890 S * 10/2006 Park et al. D14/138
D530,698 S * 10/2006 Lee et al. D14/138
2002/0094846 A1 * 7/2002 Kishimoto et al. 455/566

FOREIGN PATENT DOCUMENTS

WO DM/060869 * 7/2002

* cited by examiner

Primary Examiner—Ian Simmons
Assistant Examiner—Carla Jobe Wright

(74) *Attorney, Agent, or Firm*—Staas & Halsey LLP

(57) **CLAIM**

The ornamental design for a portable phone, as shown and described.

DESCRIPTION

FIG. 1 is a perspective view of the portable phone showing our design;

FIG. 2 is a front view thereof;

FIG. 3 is a rear view thereof;

FIG. 4 is a left side view thereof;

FIG. 5 is a right side view thereof;

FIG. 6 is a top plan view thereof;

FIG. 7 is a bottom plan view thereof; and,

FIG. 8 is a front, open view thereof.

1 Claim, 8 Drawing Sheets

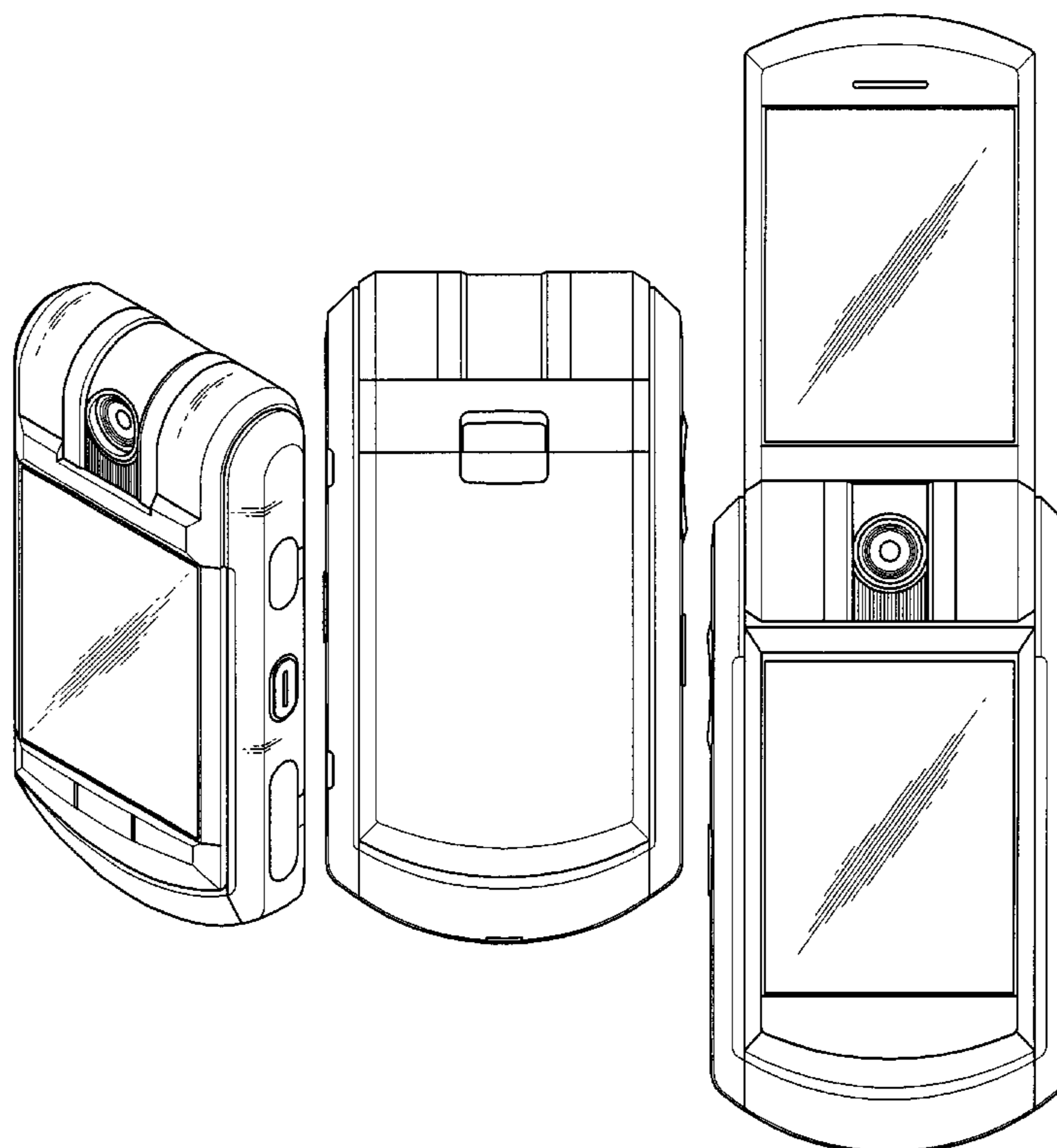


FIG. 1

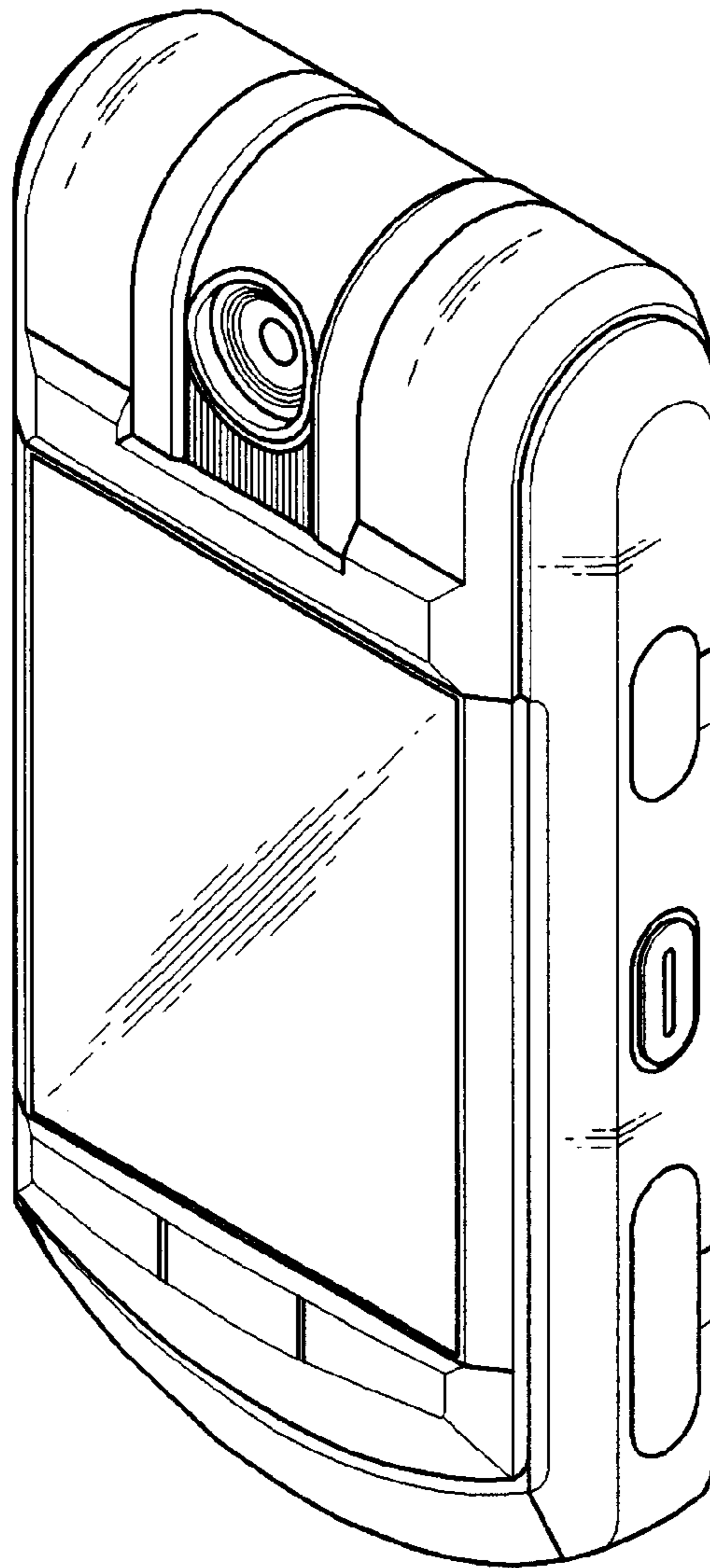
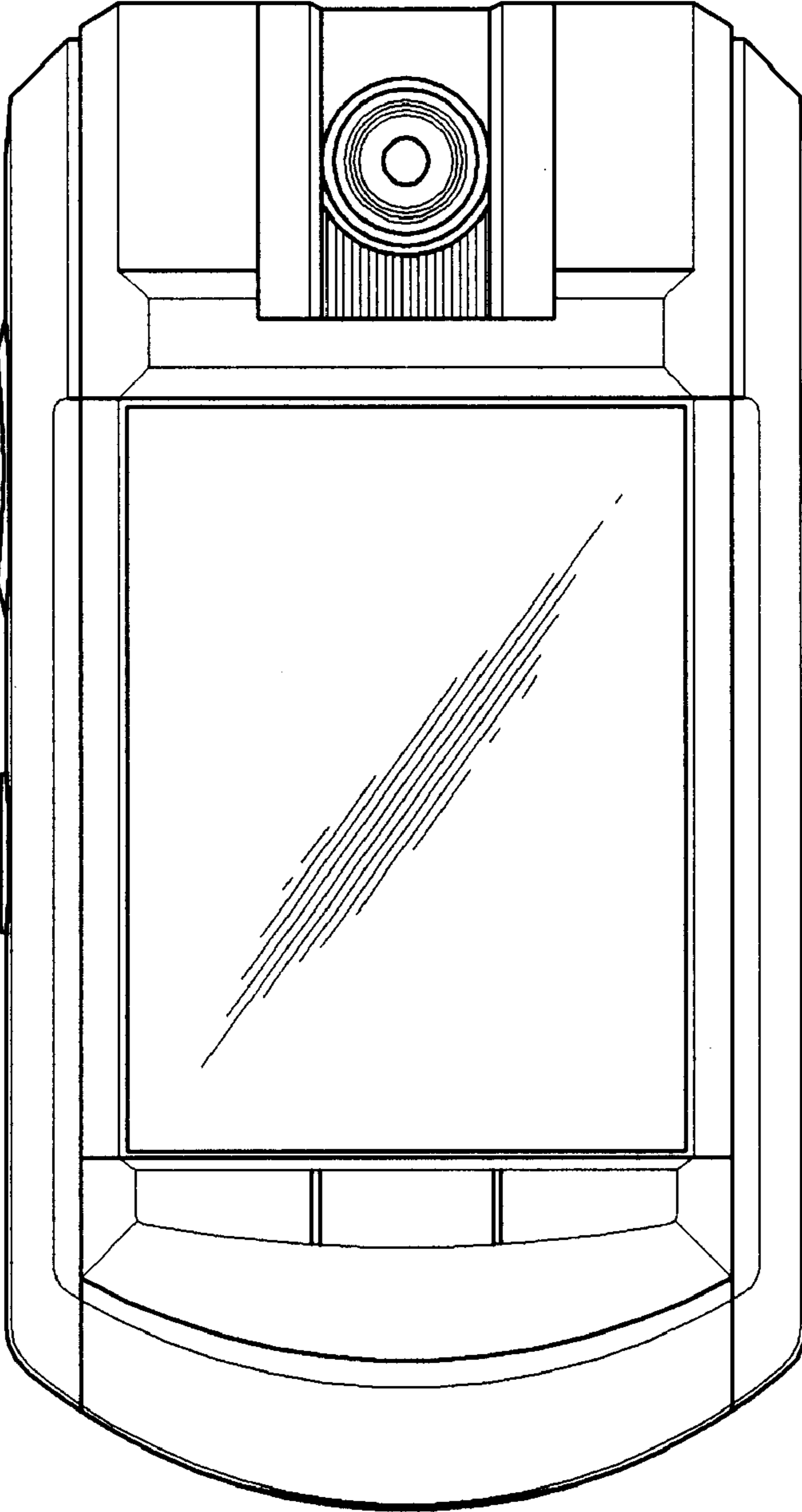


FIG. 2



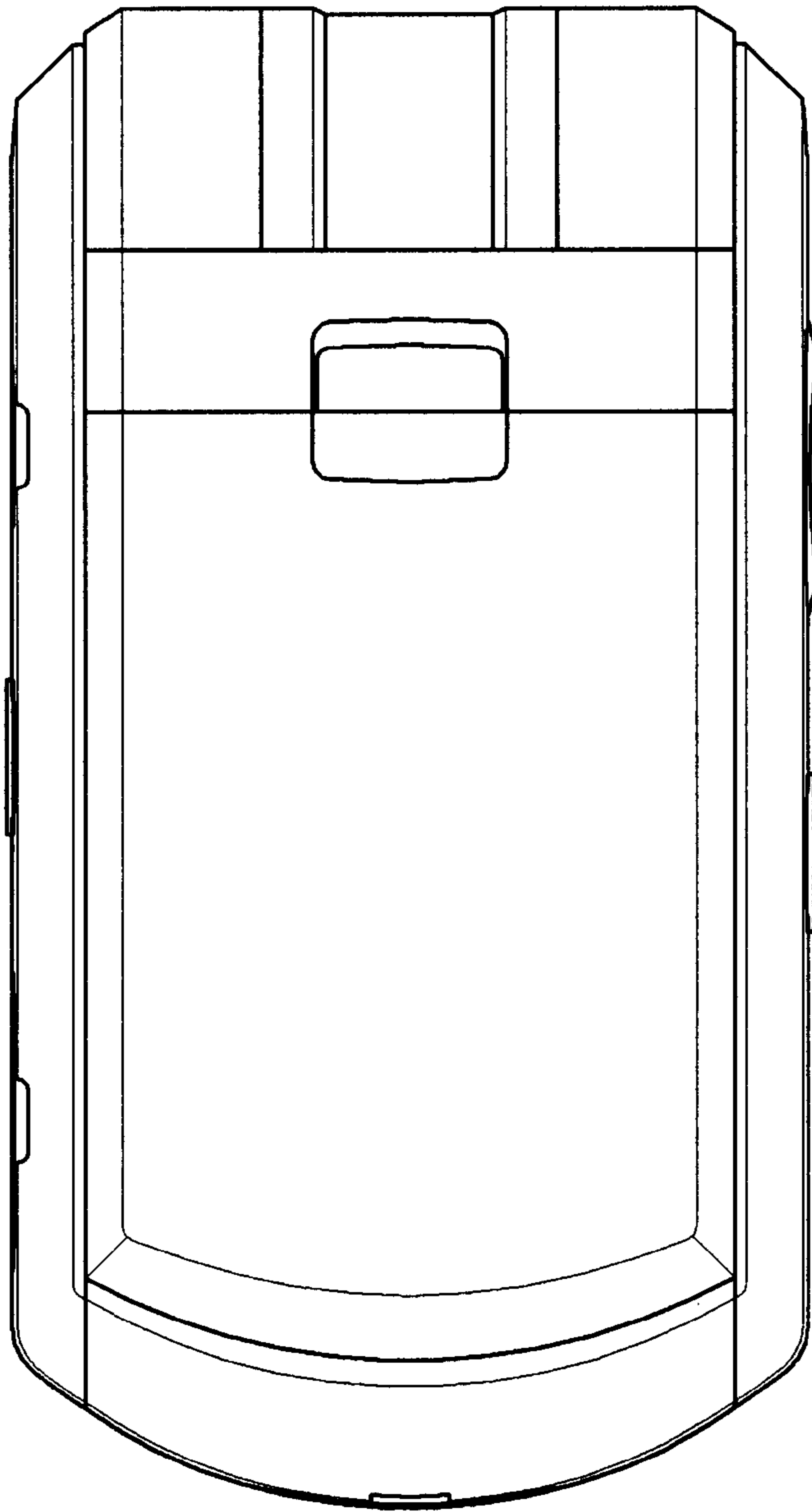


FIG. 3

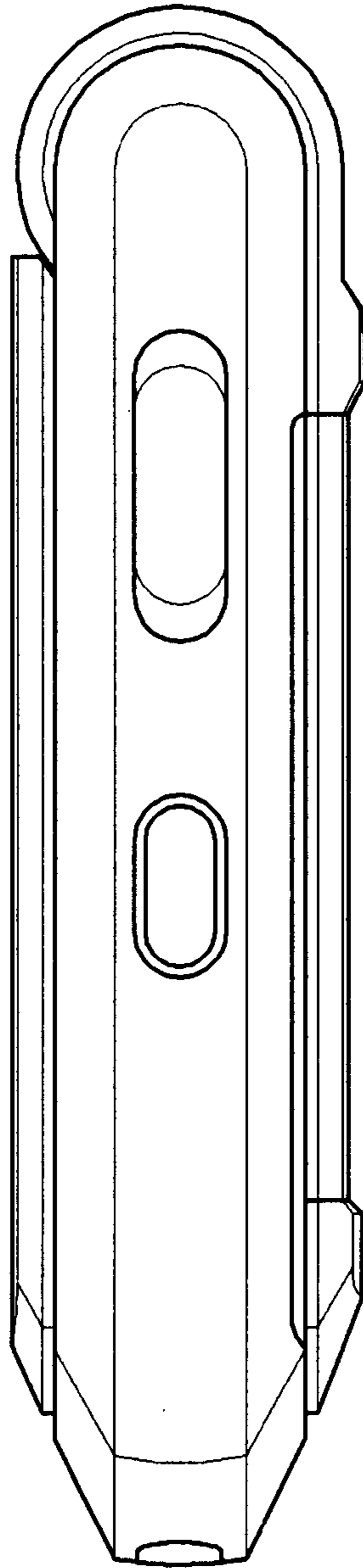


FIG. 4

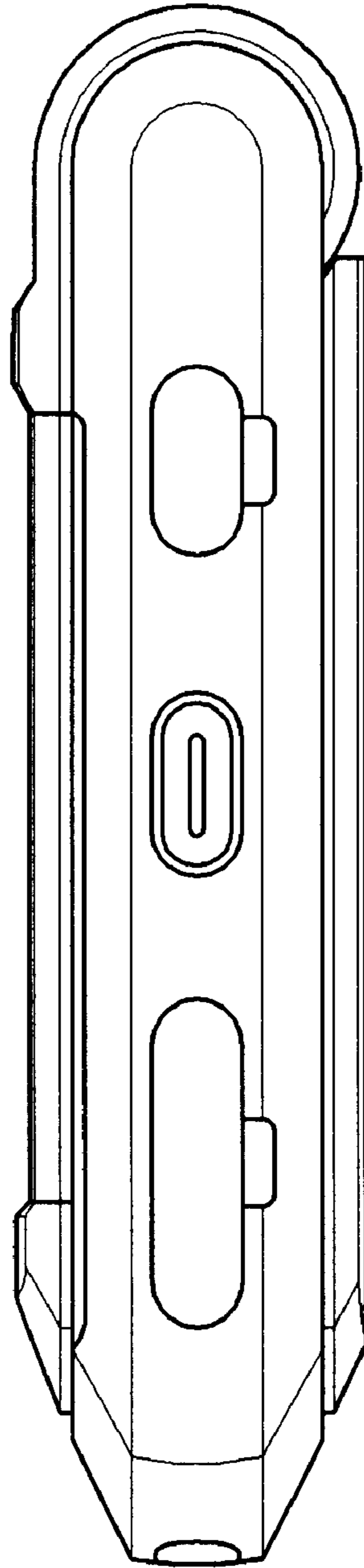


FIG. 5

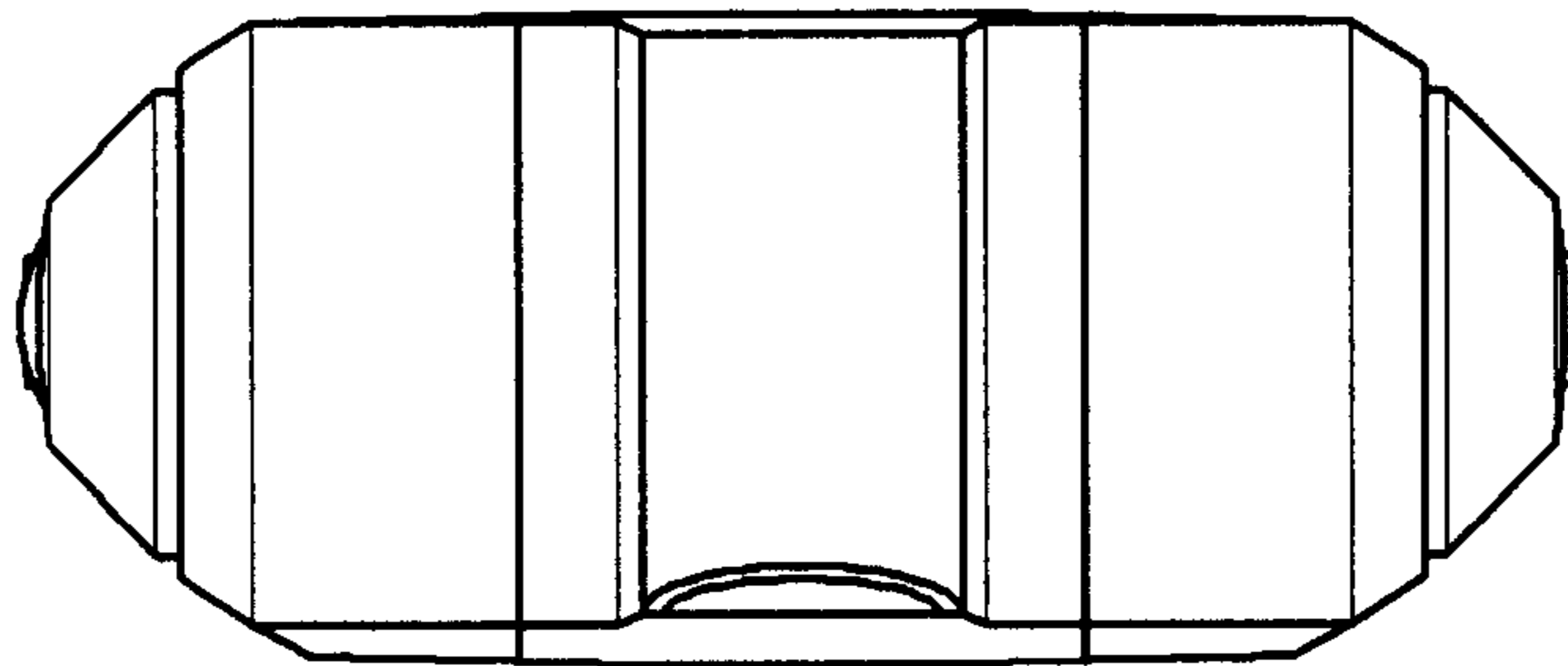


FIG. 6

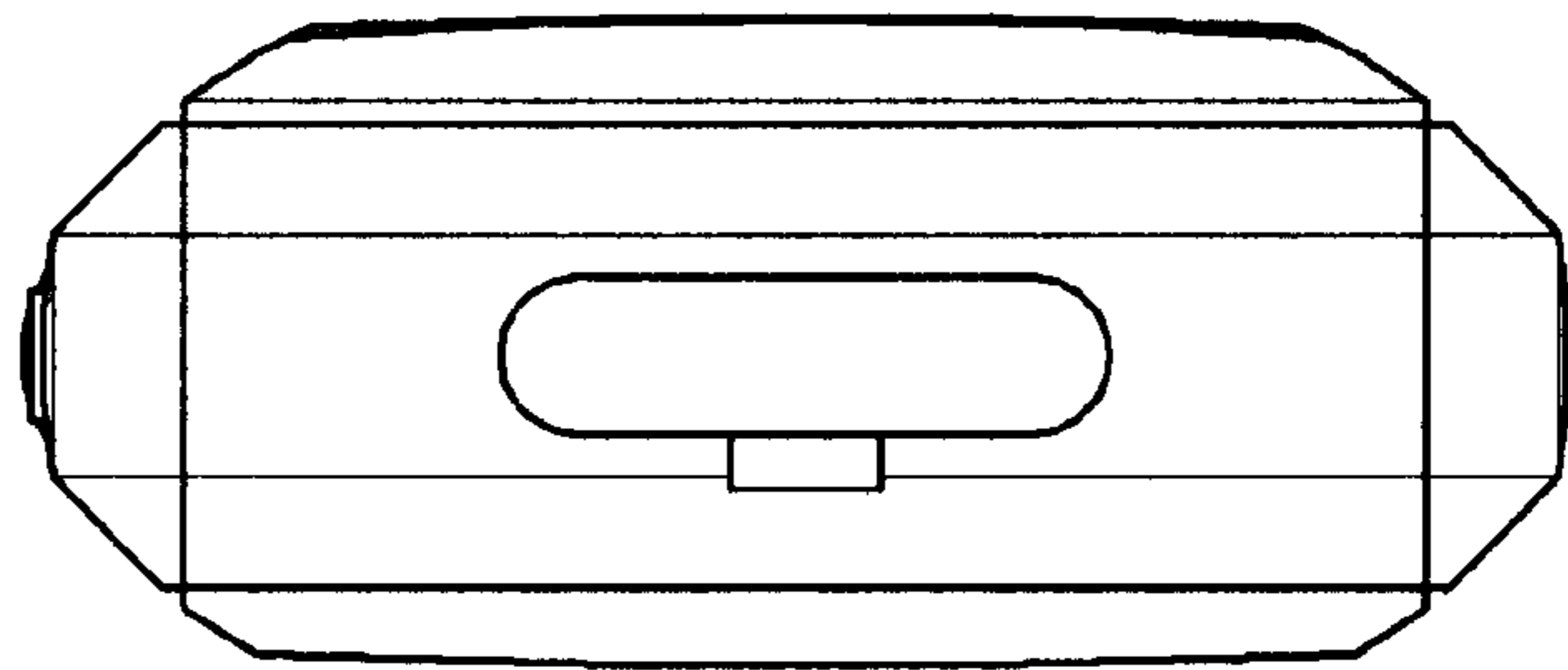


FIG. 7

FIG. 8

