

US00D543174S

(12) **United States Design Patent** (10) **Patent No.:** **US D543,174 S**
Kim (45) **Date of Patent:** **** May 22, 2007**

(54) **MOBILE PHONE**

(75) Inventor: **Ji Young Kim**, Seoul (KR)

(73) Assignee: **LG Electronics Inc.**, Seoul (KR)

(**) Term: **14 Years**

(21) Appl. No.: **29/238,258**

(22) Filed: **Sep. 14, 2005**

(30) **Foreign Application Priority Data**

Mar. 15, 2005 (KR) 30-2005-0008453

(51) **LOC (8) Cl.** **14-03**

(52) **U.S. Cl.** **D14/138; D14/341**

(58) **Field of Classification Search** D14/137-138,
D14/144, 156, 147-148, 247-248, 341-347,
D14/496; D21/329, 331, 333; 379/433.01-433.13;
348/14.01, 14.02, 376; 455/556.1, 556.2,
455/566, 575.1, 575.4, 90.3; D16/208
See application file for complete search history.

(56) **References Cited**

U.S. PATENT DOCUMENTS

D491,548 S * 6/2004 Cho D14/138
D498,754 S * 11/2004 Blyth D14/341
D505,950 S * 6/2005 Summit et al. D14/341
D509,202 S * 9/2005 Lee et al. D14/138
D519,478 S * 4/2006 Lee et al. D14/138

D528,090 S * 9/2006 Lee et al. D14/138
D530,699 S * 10/2006 Lee et al. D14/138
2005/0014538 A1 * 1/2005 Hyun et al. 455/575.4
2006/0223596 A1 * 10/2006 Hur 455/575.4

FOREIGN PATENT DOCUMENTS

WO DM/061134 * 8/2002
WO DM/062368 * 12/2002

* cited by examiner

Primary Examiner—Ian Simmons

Assistant Examiner—Carla Jobe Wright

(74) *Attorney, Agent, or Firm*—Birch, Stewart, Kolasch & Birch, LLP

(57) **CLAIM**

The ornamental design for a mobile phone, as shown and described.

DESCRIPTION

FIG. 1 is a perspective view of a mobile phone showing my new design;

FIG. 2 is a front view thereof;

FIG. 3 is a rear view thereof;

FIG. 4 is a left side view thereof;

FIG. 5 is a right side view thereof;

FIG. 6 is a top plan view thereof; and,

FIG. 7 is a bottom plan view thereof.

1 Claim, 4 Drawing Sheets

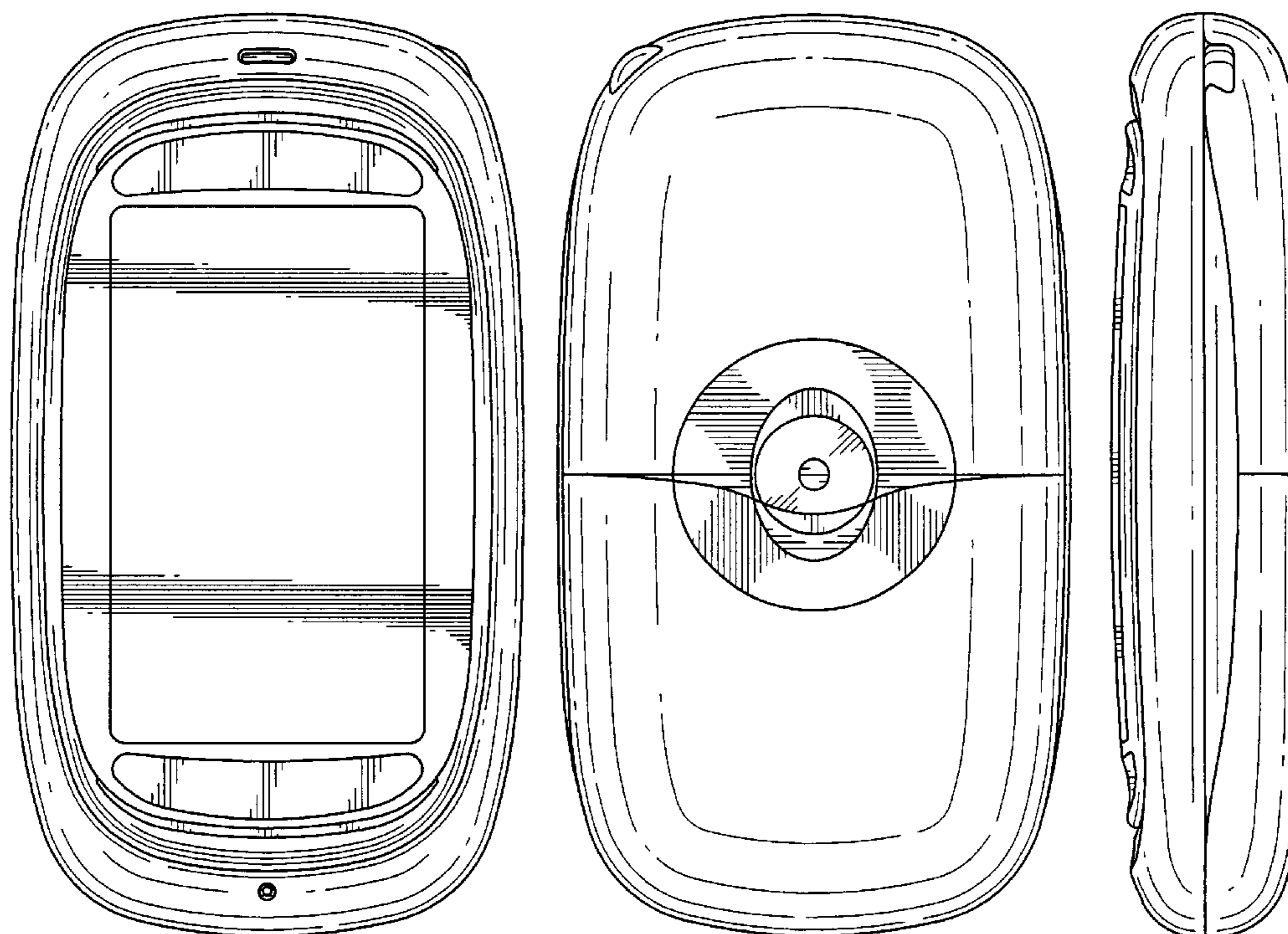


FIG. 1

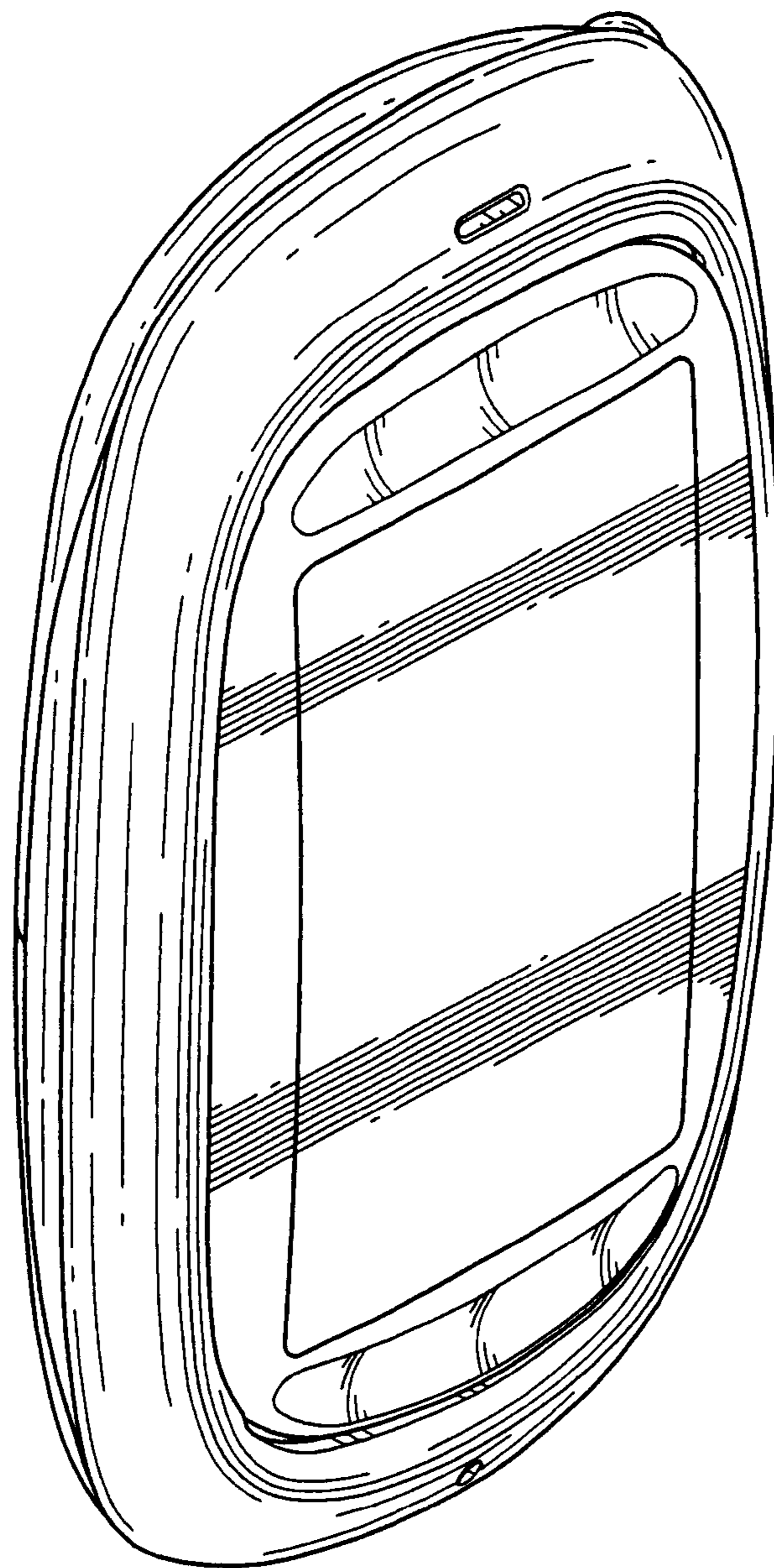


FIG.2

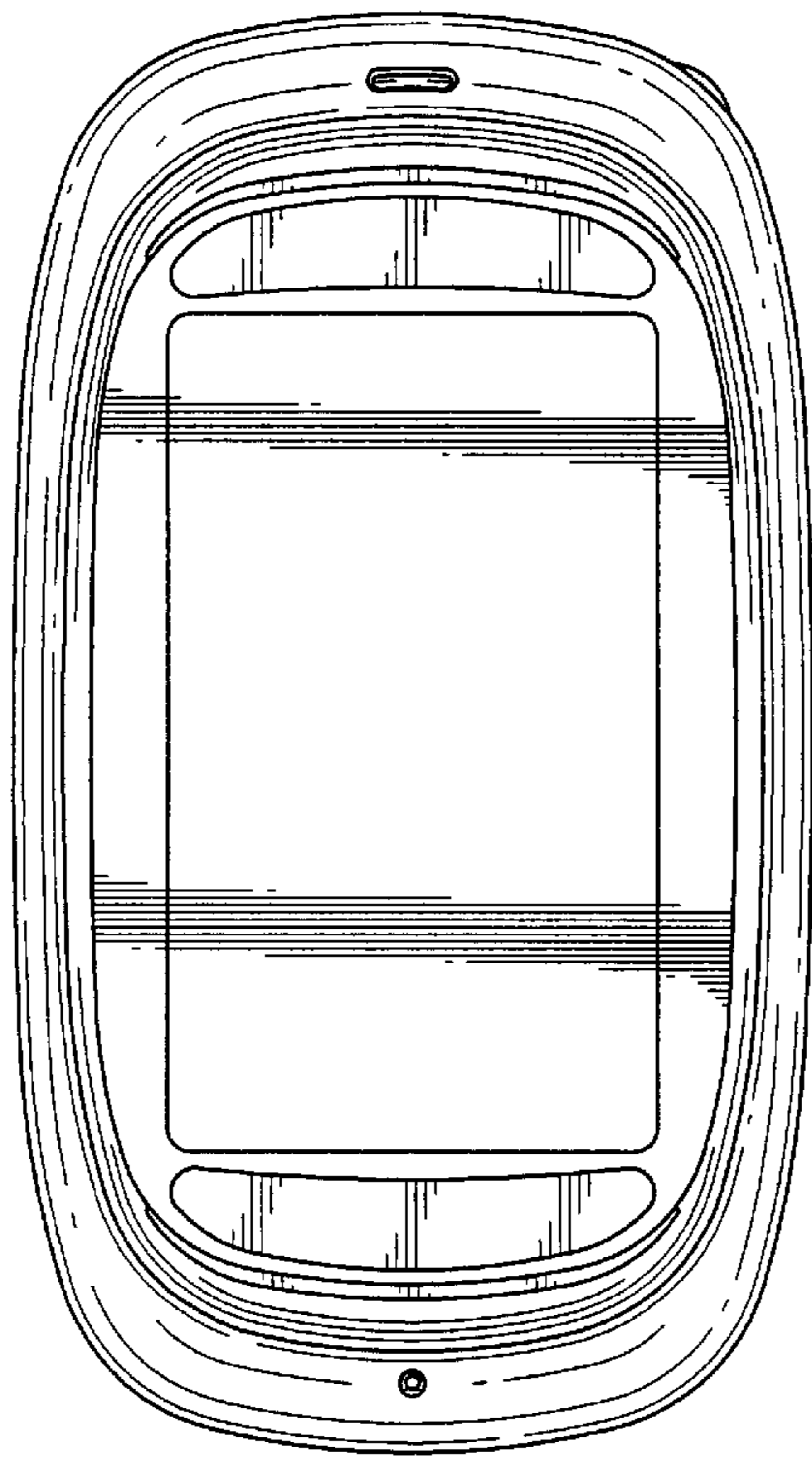


FIG.3

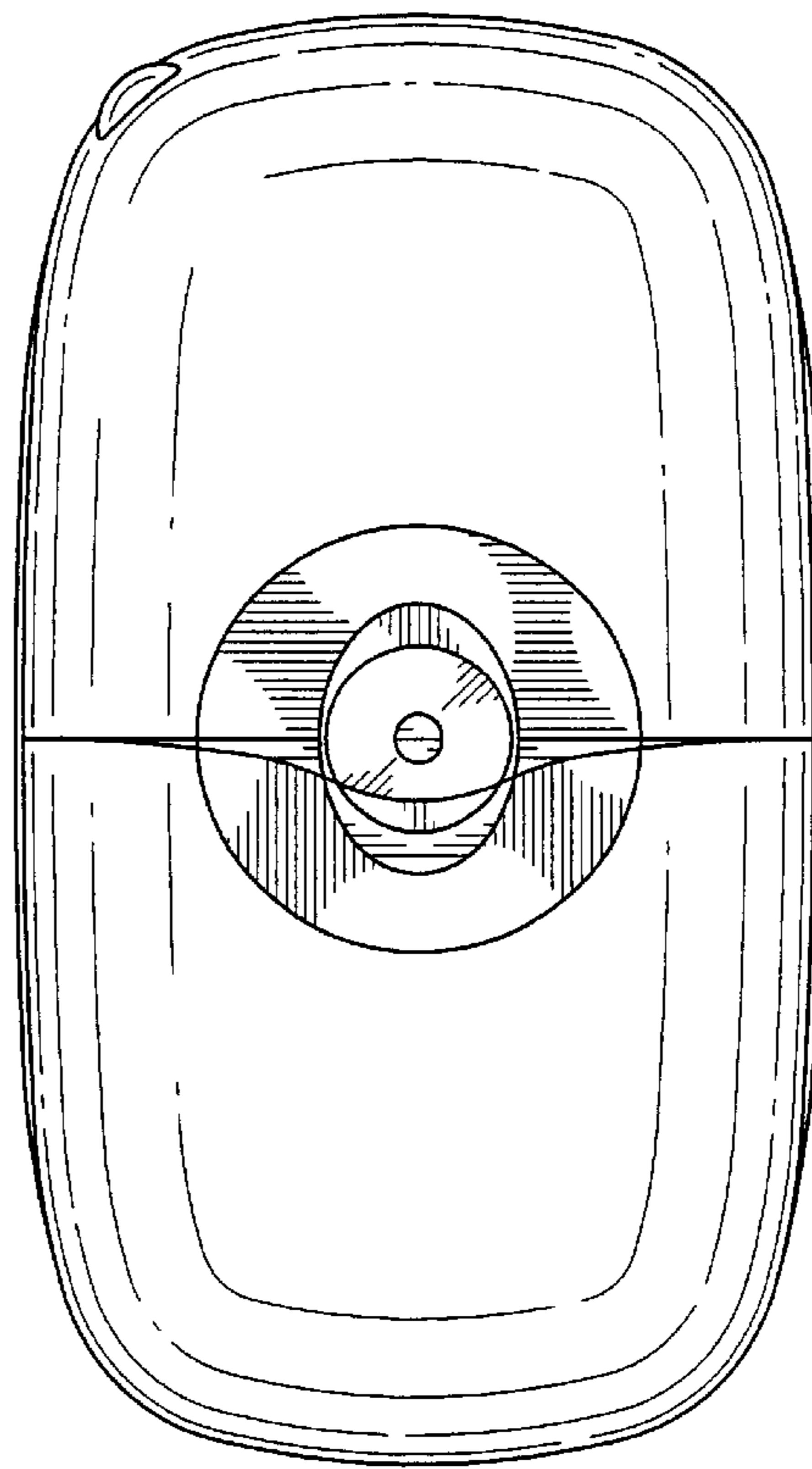


FIG.4

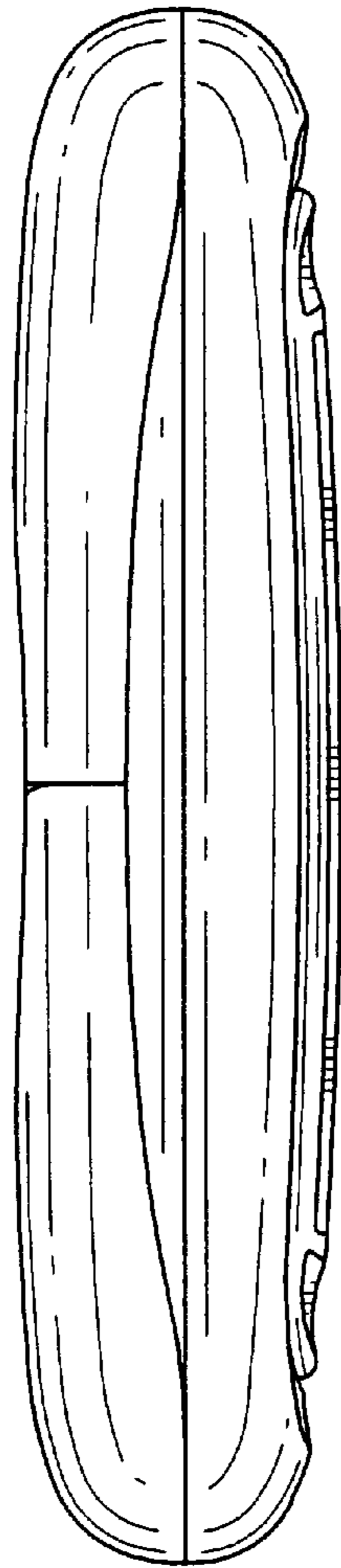


FIG.5

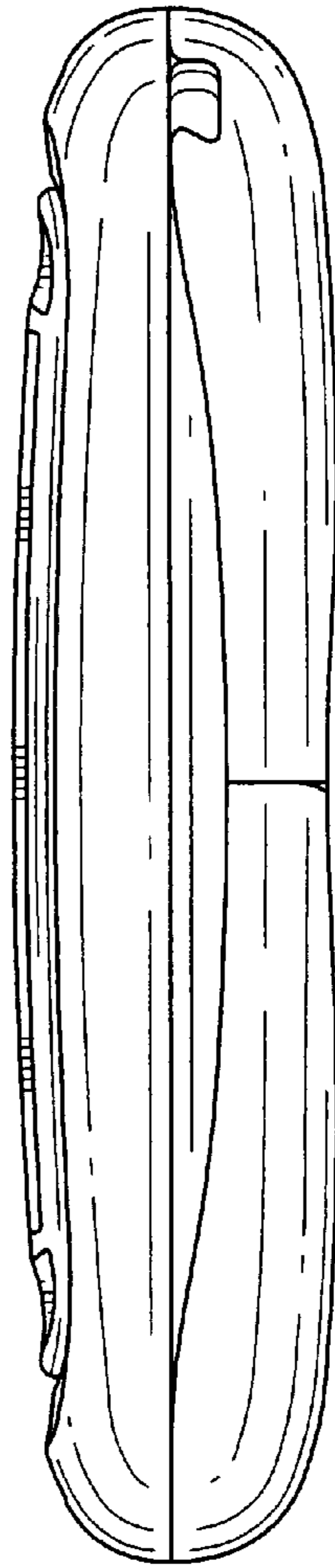


FIG.6

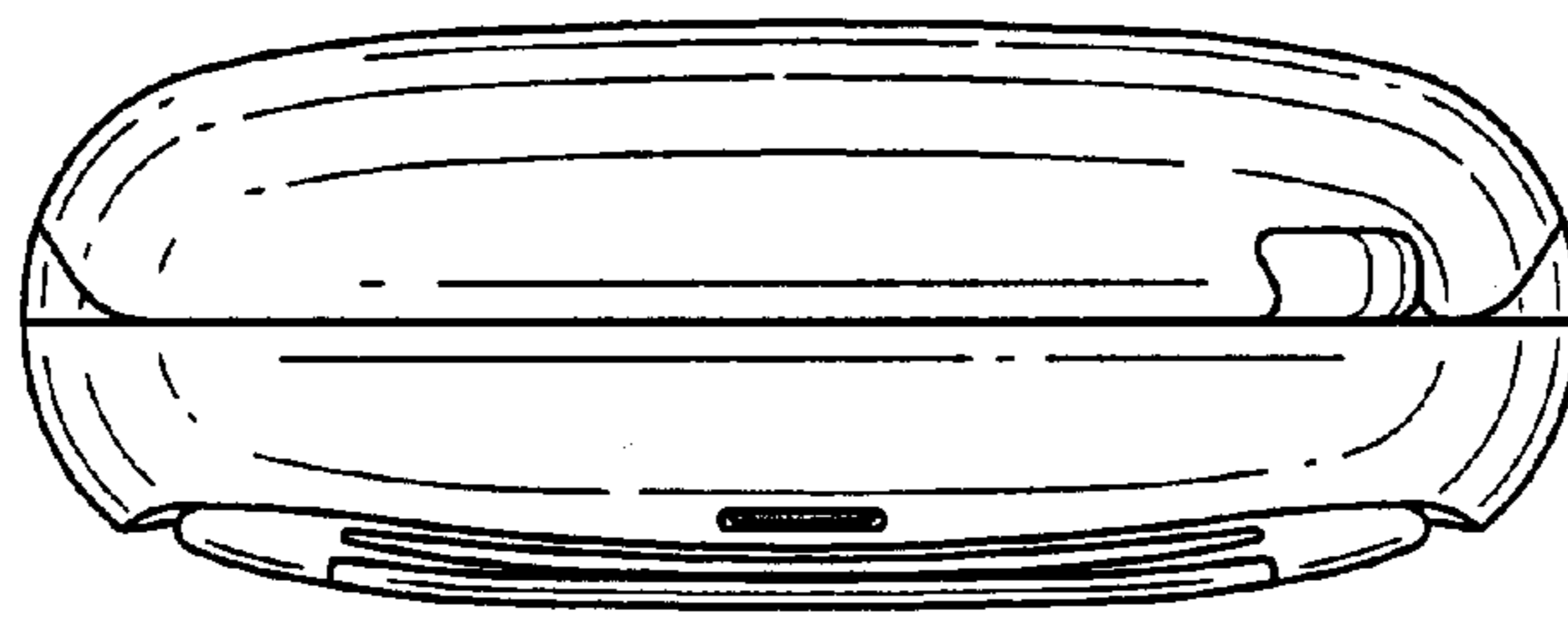


FIG.7

