



US00D543173S

(12) **United States Design Patent**
Park et al.

(10) **Patent No.:** **US D543,173 S**

(45) **Date of Patent:** **** May 22, 2007**

(54) **MOBILE PHONE**

(75) Inventors: **Jun-Sang Park**, Anyang-si (KR);
Sang-Min Hyun, Seoul (KR);
Chang-Soo Lee, Incheon (KR)

(73) Assignee: **Samsung Electronics Co., Ltd.**,
Suwon-Si (KR)

(**) **Term:** **14 Years**

(21) **Appl. No.:** **29/236,455**

(22) **Filed:** **Aug. 17, 2005**

(30) **Foreign Application Priority Data**

Feb. 17, 2005 (KR) 30-2005-0005051

(51) **LOC (8) Cl.** **14-03**

(52) **U.S. Cl.** **D14/138**

(58) **Field of Classification Search** D14/191,
D14/138, 147-148, 247-248, 144, 496, 156,
D14/341-347; 379/433.01-433.13; 455/575.3,
455/566, 575.1, 556.1, 556.2, 90.3; D21/517;
D16/208

See application file for complete search history.

(56) **References Cited**

U.S. PATENT DOCUMENTS

D477,293 S	*	7/2003	Hwang	D14/138
D485,248 S	*	1/2004	Ogawa	D14/138
D486,461 S	*	2/2004	Seo et al.	D14/138
D486,462 S	*	2/2004	Lim	D14/138
D486,809 S	*	2/2004	Hwang	D14/138
D488,453 S	*	4/2004	Chang et al.	D14/138
D491,907 S	*	6/2004	Ogawa	D14/138
D496,347 S	*	9/2004	Choi et al.	D14/191
D501,839 S	*	2/2005	Lee et al.	D14/138
D502,161 S	*	2/2005	Kim et al.	D14/138
D507,255 S	*	7/2005	Watanabe et al.	D14/138
D507,787 S	*	7/2005	Ahn et al.	D14/138

D508,684 S	*	8/2005	Lee et al.	D14/138
D510,078 S	*	9/2005	Lee et al.	D14/138
D512,394 S	*	12/2005	Kim et al.	D14/138
D512,975 S	*	12/2005	Tsai et al.	D14/138
D513,742 S	*	1/2006	Arnholt et al.	D14/138
D519,966 S	*	5/2006	Salmi et al.	D14/138
D520,981 S	*	5/2006	Lee et al.	D14/138
D521,970 S	*	5/2006	Han et al.	D14/138

FOREIGN PATENT DOCUMENTS

WO	DM/064560	*	10/2003
WO	DM/067683	*	3/2006

OTHER PUBLICATIONS

Philips 680 telephone, announced Jun. 2006, [online], [retrieved on Nov. 21, 2006]. Retrieved from Internet, <URL: <http://www.gsmarena.com>>.*

Pantech PG-2800 telephone, announced May 2005, [online], [retrieved on Nov. 21, 2006]. Retrieved from Internet, <URL: <http://www.gsmarena.com>>.*

* cited by examiner

Primary Examiner—Jeffrey Asch

(74) *Attorney, Agent, or Firm*—Staas & Halsey LLP

(57) **CLAIM**

The ornamental design for the mobile phone, as shown and described.

DESCRIPTION

FIG. 1 is a perspective view of the mobile phone showing our design;

FIG. 2 is a front view thereof;

FIG. 3 is a rear view thereof;

FIG. 4 is a left side view thereof;

FIG. 5 is a right side view thereof;

FIG. 6 is a top plan view thereof; and,

FIG. 7 is a bottom plan view thereof.

1 Claim, 3 Drawing Sheets

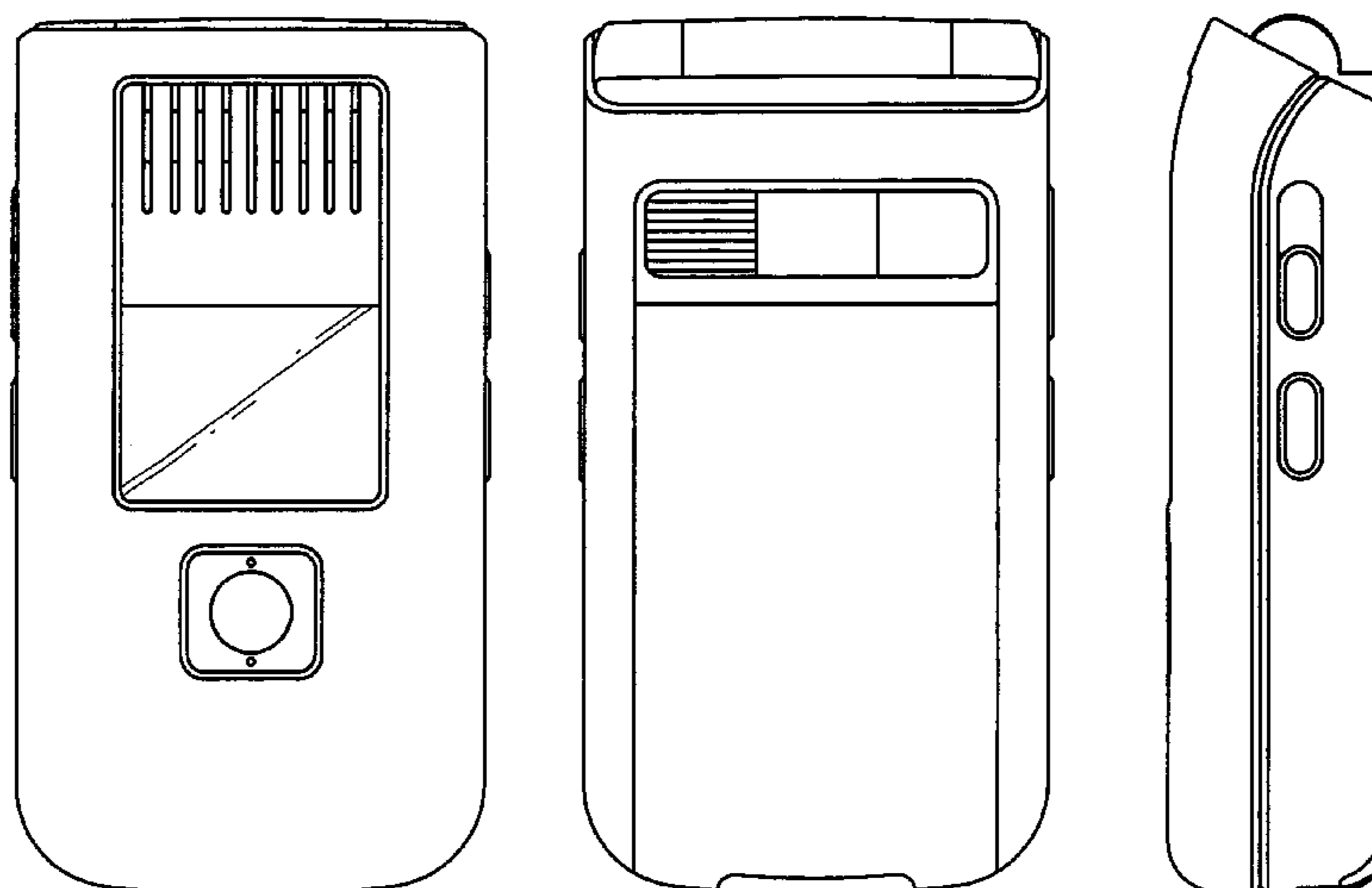


FIG. 1

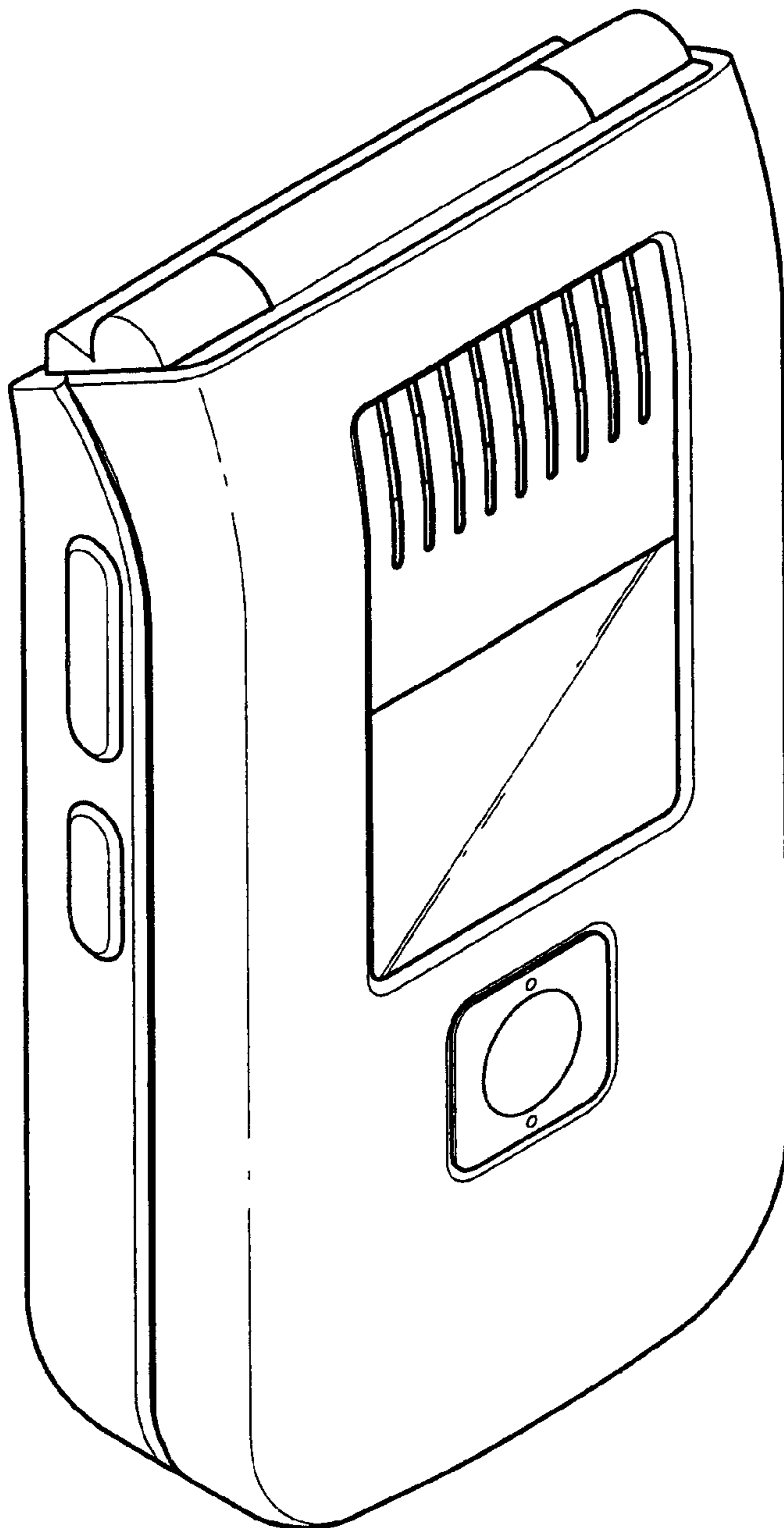


FIG. 2

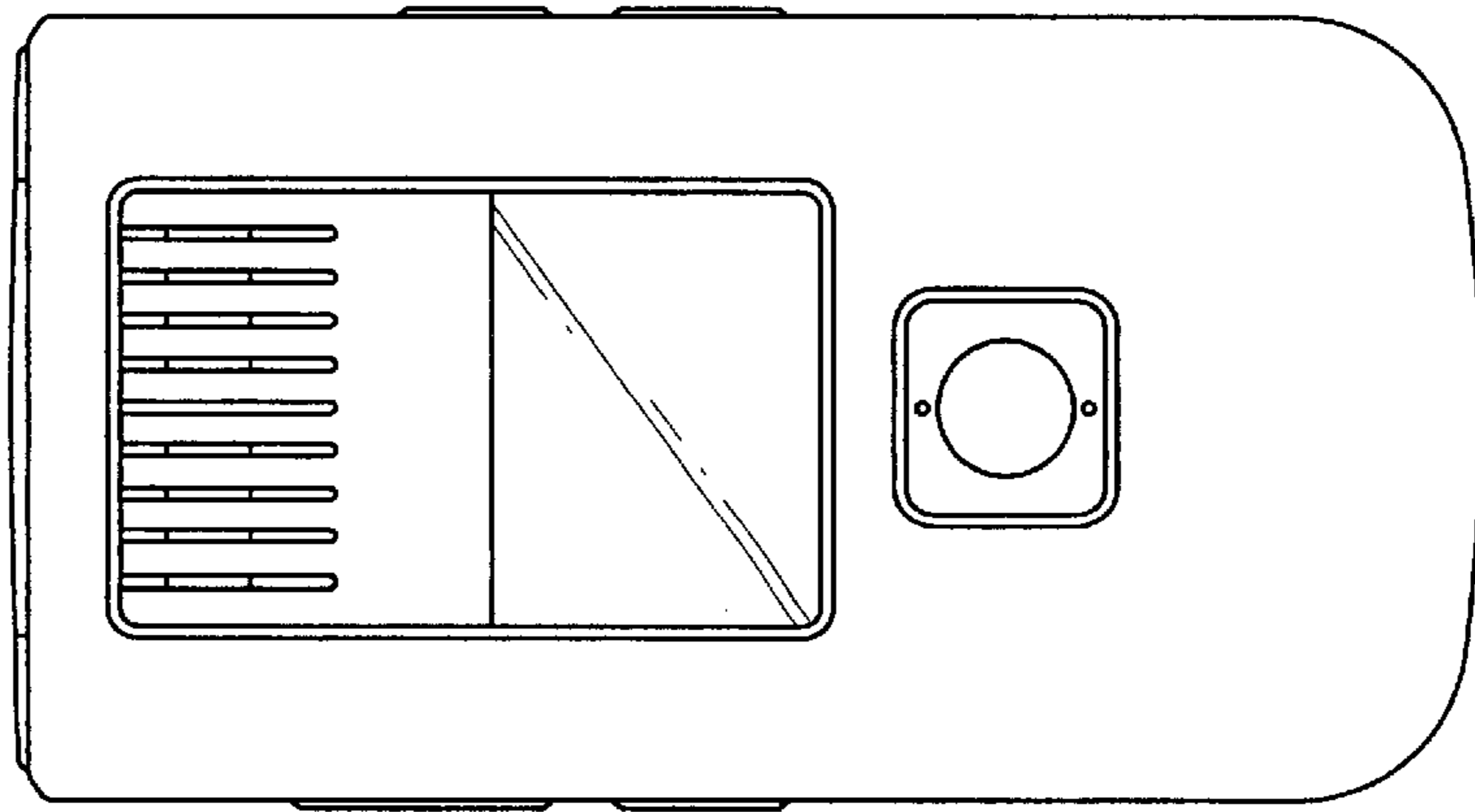


FIG. 3

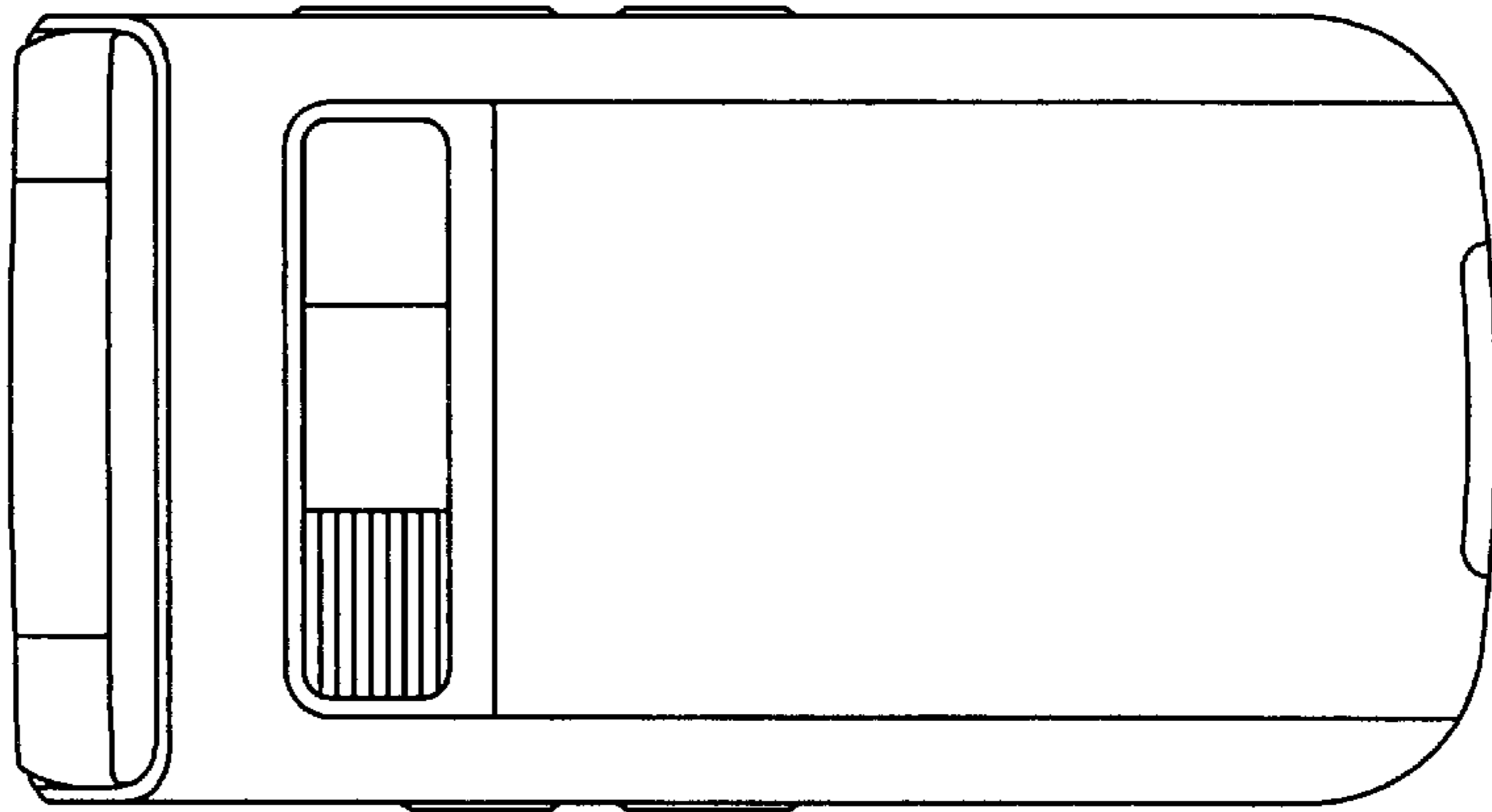


FIG. 4

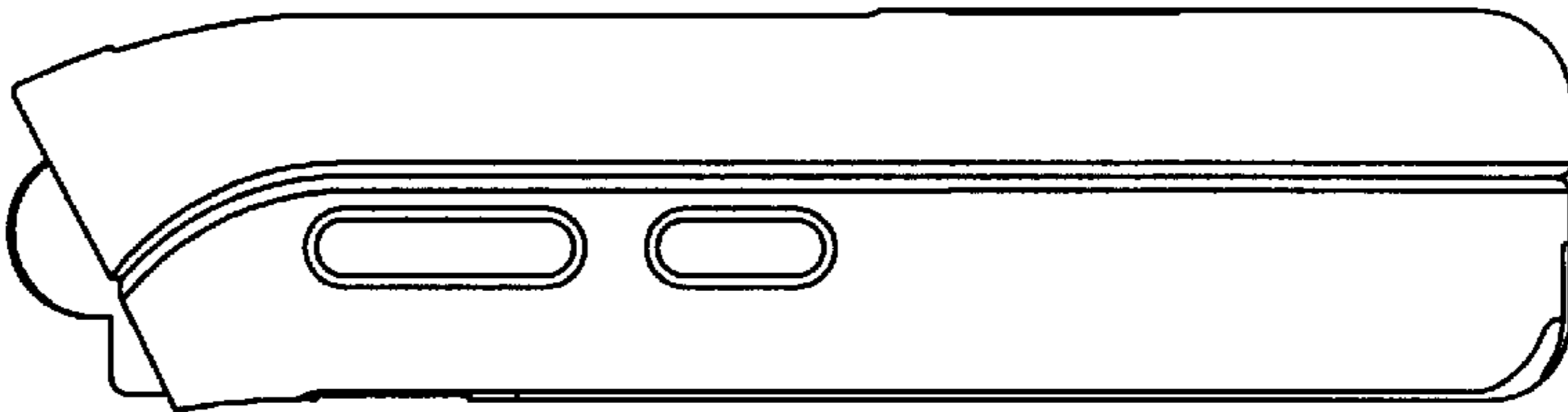


FIG. 5

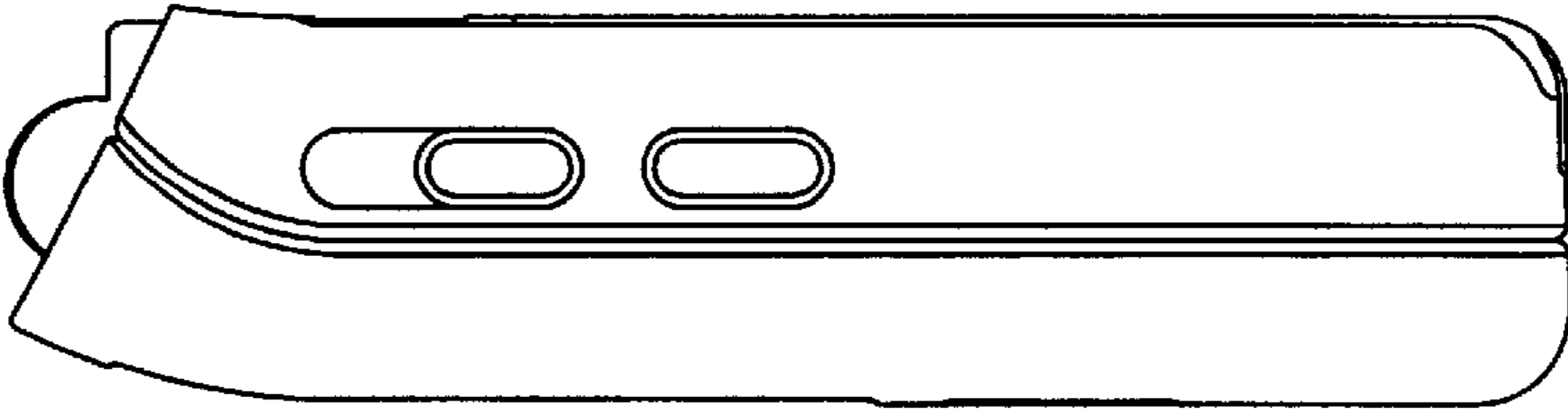


FIG.6

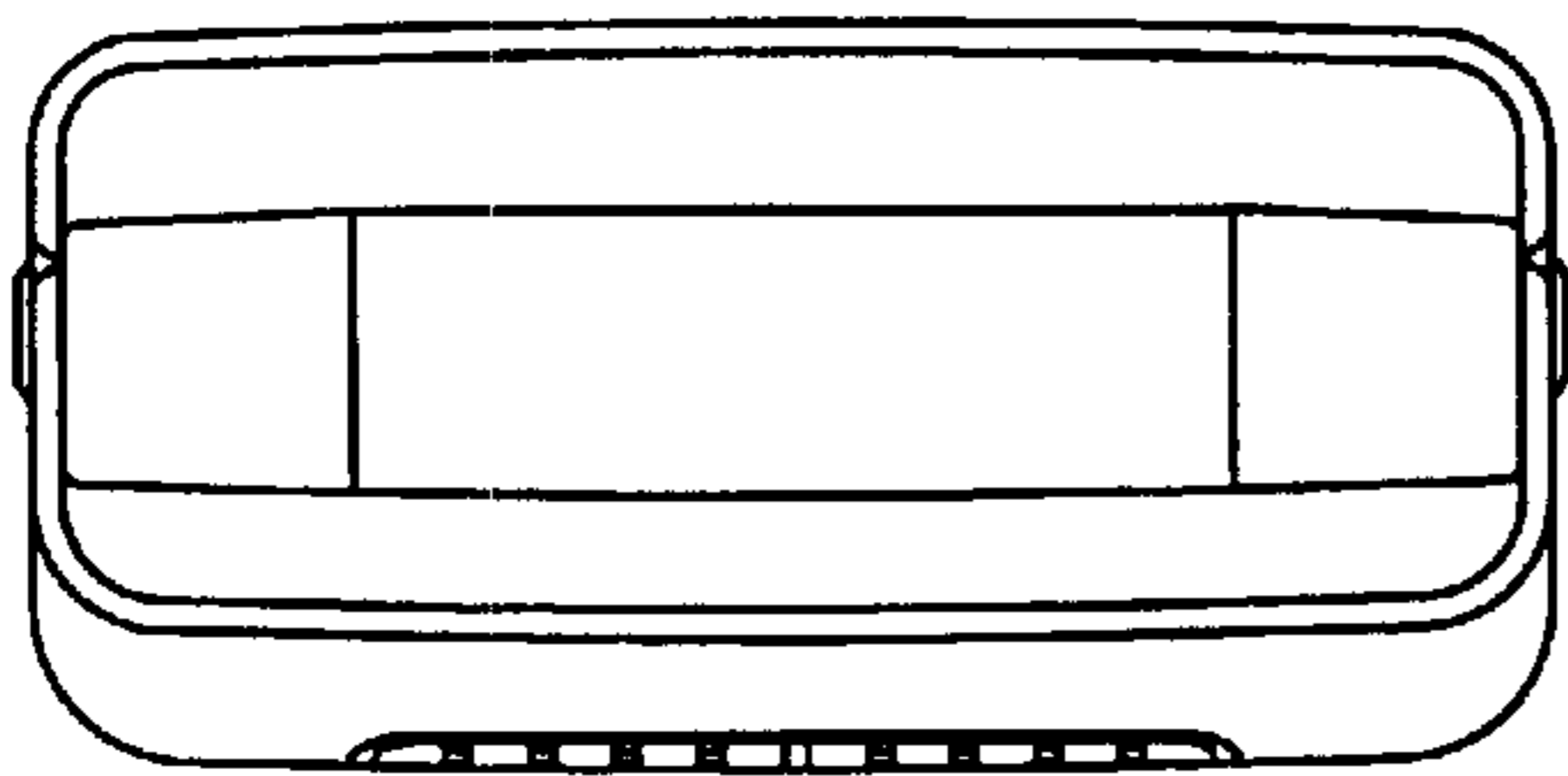


FIG.7

