

US00D543172S

(12) **United States Design Patent**
Lee et al.

(10) **Patent No.:** **US D543,172 S**

(45) **Date of Patent:** **** May 22, 2007**

(54) **MOBILE PHONE**

(75) Inventors: **Kyung-Jin Lee**, Seoul (KR); **Sang-Min Hyun**, Seoul (KR); **Chang-Soo Lee**, Incheon (KR)

(73) Assignee: **Samsung Electronics Co., Ltd.**, Suwon-Si (KR)

(**) **Term:** **14 Years**

(21) **Appl. No.:** **29/236,454**

(22) **Filed:** **Aug. 17, 2005**

(30) **Foreign Application Priority Data**

Feb. 17, 2005 (KR) 30-2005-0005049

(51) **LOC (8) Cl.** **14-03**

(52) **U.S. Cl.** **D14/138**

(58) **Field of Classification Search** D14/191,
D14/138, 147-148, 247-248, 144, 496, 156,
D14/341-347; 379/433.01-433.13; 455/575.3,
455/566, 575.1, 556.1, 556.2, 90.3; D21/517;
D16/208

See application file for complete search history.

(56) **References Cited**

U.S. PATENT DOCUMENTS

D423,000 S	*	4/2000	Prietsman et al.	D14/138
D485,249 S	*	1/2004	Liao et al.	D14/138
D488,154 S	*	4/2004	Lovelady et al.	D14/345
D488,453 S	*	4/2004	Chang et al.	D14/138
D493,440 S	*	7/2004	Chou et al.	D14/138
D500,016 S	*	12/2004	Kim	D14/138
D501,839 S	*	2/2005	Lee et al.	D14/138
D502,161 S	*	2/2005	Kim et al.	D14/138
D507,787 S	*	7/2005	Ahn et al.	D14/138
D508,036 S	*	8/2005	Wada	D14/138
D511,336 S	*	11/2005	Kim et al.	D14/138
D513,742 S	*	1/2006	Arnholt et al.	D14/138
D518,463 S	*	4/2006	Tan et al.	D14/138

D518,467 S	*	4/2006	Kim et al.	14/138
D520,980 S	*	5/2006	Taniyama et al.	D14/138
D521,968 S	*	5/2006	Jung et al.	D14/138
D521,970 S	*	5/2006	Han et al.	D14/138
7,050,293 B2	*	5/2006	Arbisi et al.	361/681
D528,091 S	*	9/2006	Kim et al.	D14/138
2002/0051060 A1	*	5/2002	Wada	348/207
2003/0125079 A1	*	7/2003	Park et al.	455/556
2004/0142718 A1	*	7/2004	Kim	455/550.1
2004/0142734 A1	*	7/2004	Kim	455/575.1
2005/0227747 A1	*	10/2005	Song	455/575.3
2006/0135225 A1	*	6/2006	Lin et al.	455/575.3
2006/0148542 A1	*	7/2006	Oliver	455/575.3

OTHER PUBLICATIONS

LG L600v telephone, announced Oct. 2006 [online], [retrieved on Nov. 21, 2006]. Retrieved from Internet, <URL:http://www.gsmarena.com>.*

Samsung Z510 telephone, announced 4th quarter 2005, [online], [retrieved on Nov. 21, 2006]. Retrieved from Internet, <URL:http://www.gsmarena.com>.*

(Continued)

Primary Examiner—Jeffrey Asch

(74) *Attorney, Agent, or Firm*—Staas & Halsey LLP

(57) **CLAIM**

The ornamental design for the mobile phone, as shown and described.

DESCRIPTION

FIG. 1 is a perspective view of the mobile phone showing our design;

FIG. 2 is a front view thereof;

FIG. 3 is a rear view thereof;

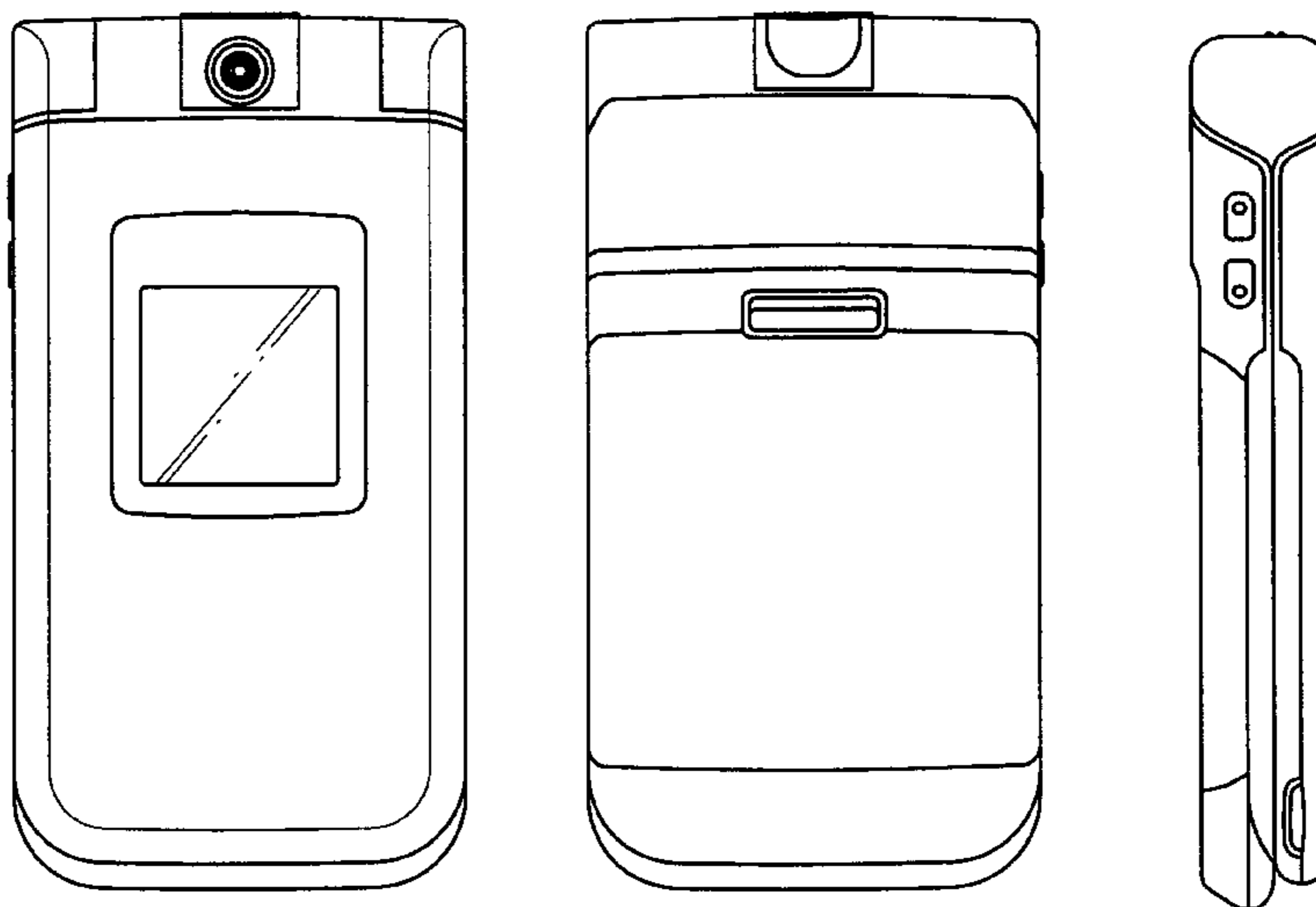
FIG. 4 is a left side view thereof;

FIG. 5 is a right side view thereof;

FIG. 6 is a top plan view thereof; and,

FIG. 7 is a bottom plan view thereof.

1 Claim, 3 Drawing Sheets



OTHER PUBLICATIONS

NEC e636 telephone, announced Feb. 2006, [online], [retrieved on Nov. 21, 2006]. Retrieved from Internet, <URL: <http://www.gsmarena.com>>.*

Samsung E870 telephone, announced 1st quarter 2006, [online], [retrieved on Nov. 21, 2006]. Retrieved from Internet, <URL: <http://www.gsmarena.com>>.*

Sharp 770SH telephone, announced Mar. 2006, [online], [retrieved on Nov. 21, 2006]. Retrieved from Internet, <URL: <http://www.gsmarena.com>>.*

Pantech PG-2800 telephone, announced May 2006, [online], [retrieved on Nov. 21, 2006]. Retrieved from Internet, <URL: <http://www.gsmarena.com>>.*

* cited by examiner

FIG. 1

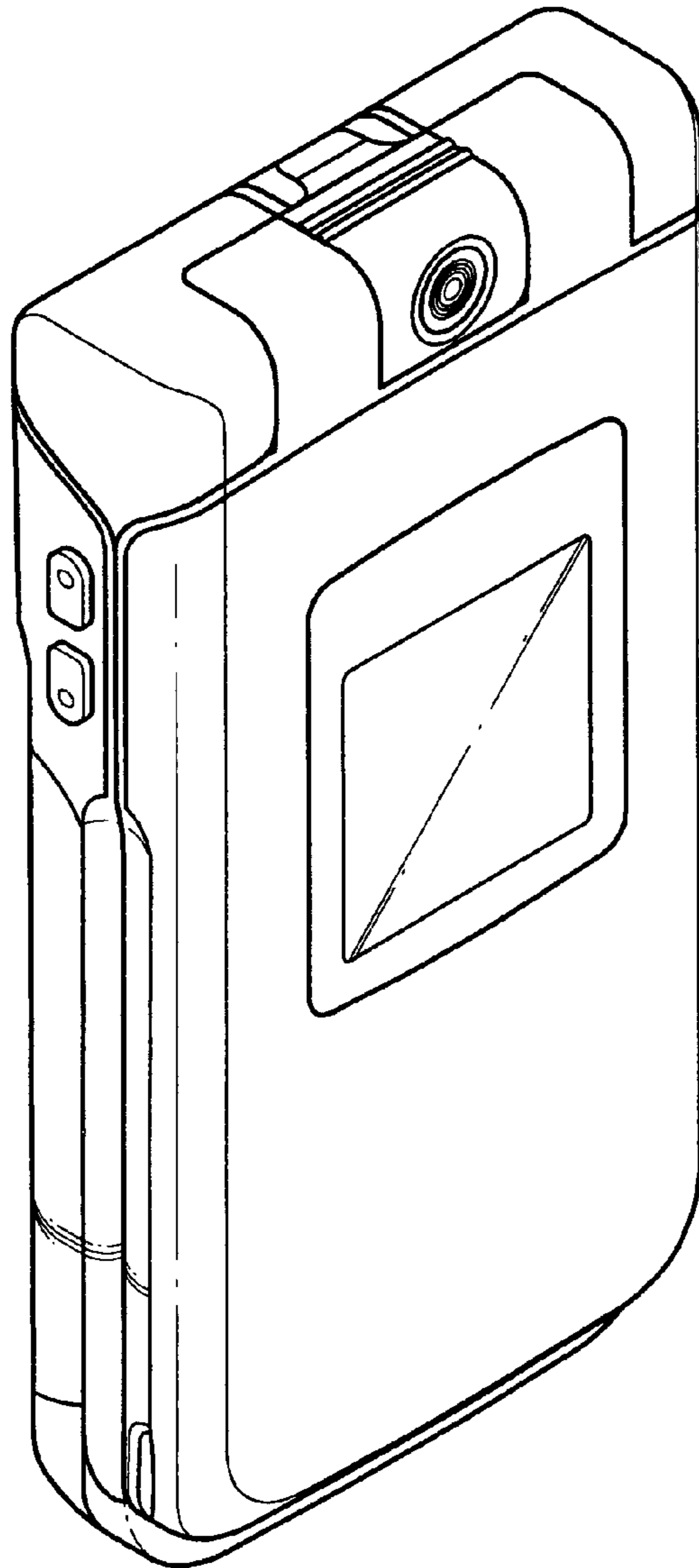


FIG. 2

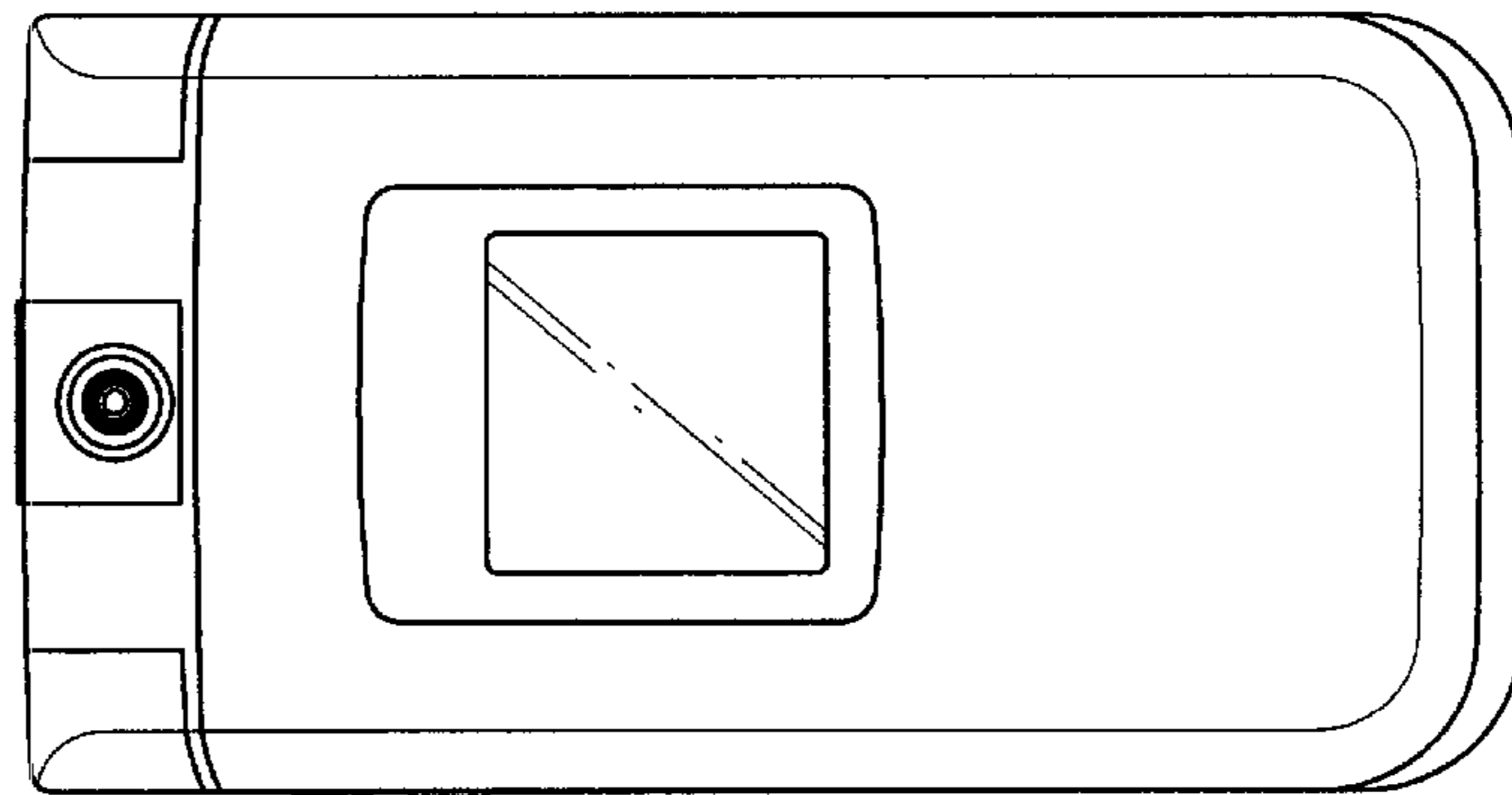


FIG. 3

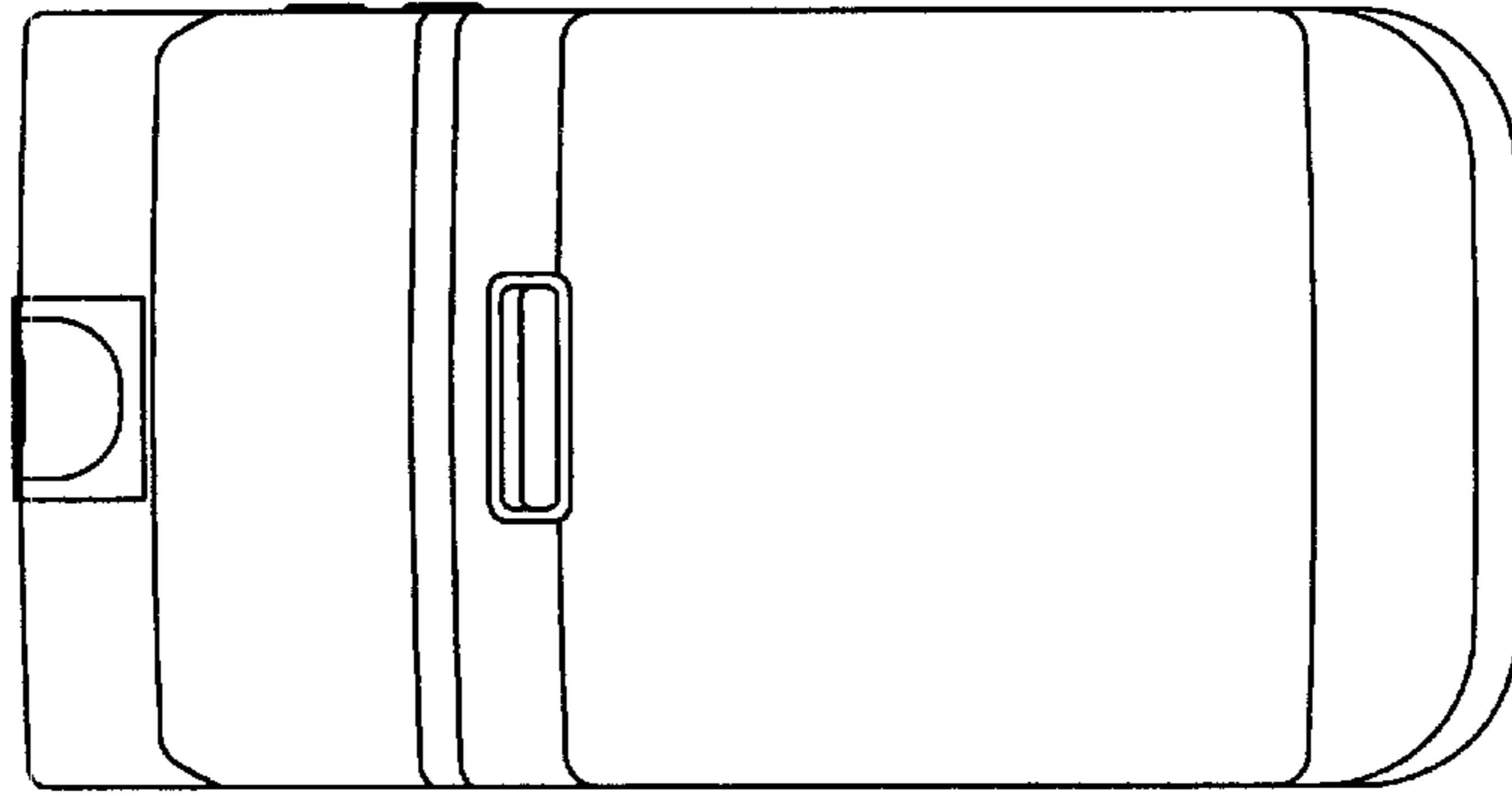


FIG. 4

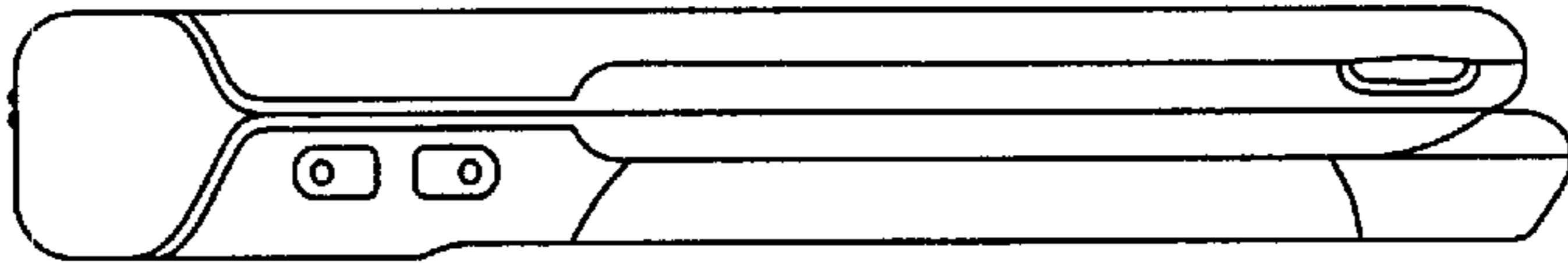


FIG. 5

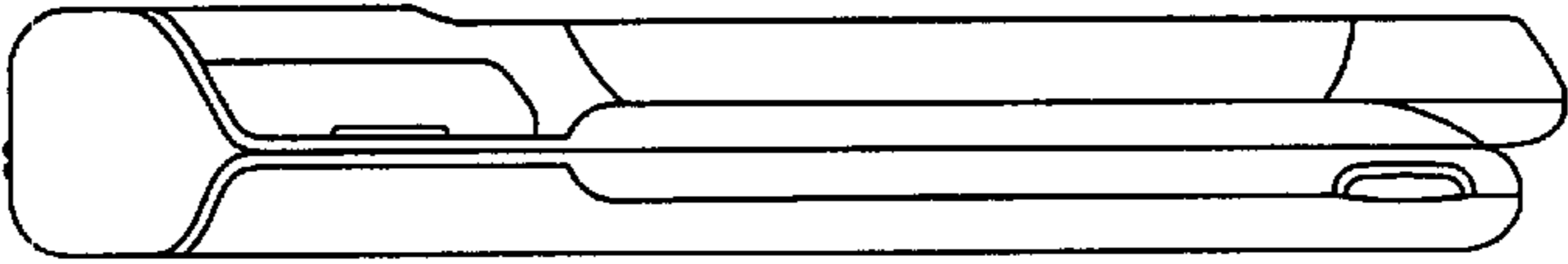


FIG. 6

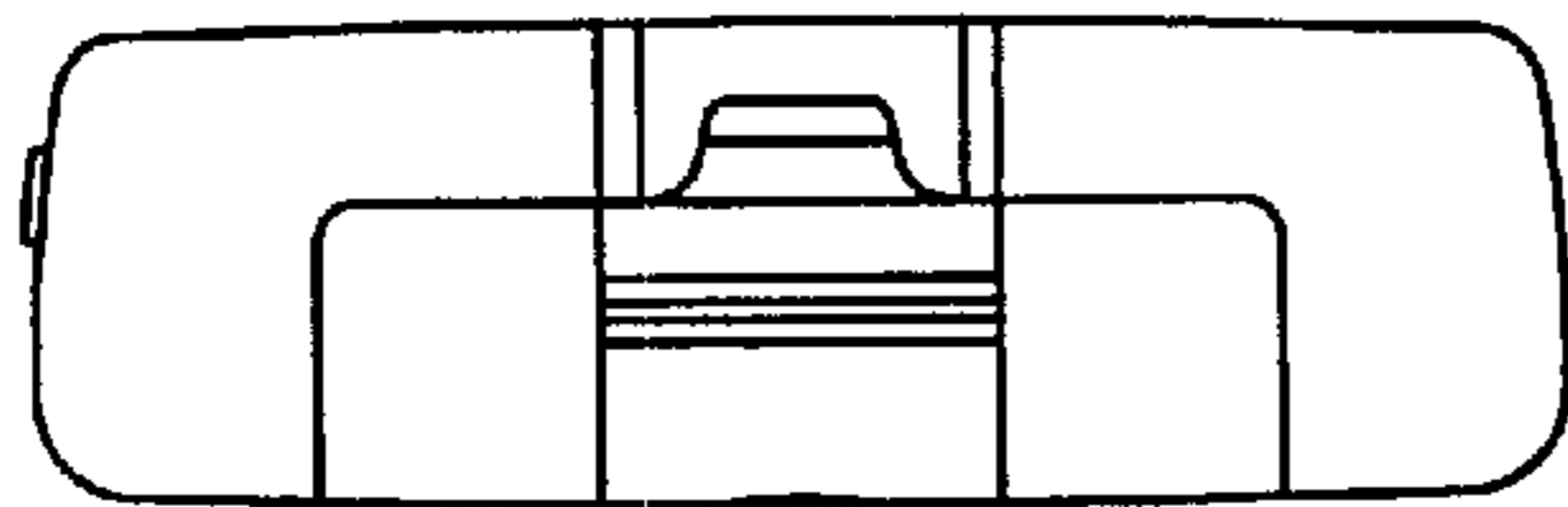


FIG. 7

