

US00D543169S

(12) **United States Design Patent** (10) **Patent No.:** **US D543,169 S**
Kim et al. (45) **Date of Patent:** **** May 22, 2007**

(54) **MOBILE PHONE**

(75) Inventors: **Eun-Young Kim**, Seoul (KR);
Bum-Soo Park, Gwangmyeong-si
(KR); **Jong-Seong Lee**, Seoul (KR)

(73) Assignee: **Samsung Electronics Co., Ltd.**,
Suwon-Si (KR)

(**) **Term:** **14 Years**

(21) **Appl. No.:** **29/234,617**

(22) **Filed:** **Jul. 21, 2005**

(30) **Foreign Application Priority Data**

Jan. 21, 2005 (KR) 30-2005-0002037

(51) **LOC (8) Cl.** **14-03**

(52) **U.S. Cl.** **D14/138**

(58) **Field of Classification Search** D14/191,
D14/138, 147-148, 247-248, 144, 496, 156,
D14/341-347; 379/433.01-433.13; 455/575.3,
455/566, 575.1, 556.1, 556.2, 90.3; D21/517;
D16/208

See application file for complete search history.

(56) **References Cited**

U.S. PATENT DOCUMENTS

D355,181 S * 2/1995 Siddoway D14/138
D401,577 S * 11/1998 Yamaguchi D14/138
6,658,272 B1 * 12/2003 Lenchik et al. 455/575.1
6,697,117 B1 * 2/2004 Park 348/373
D496,644 S * 9/2004 Yoo et al. D14/138
D501,658 S * 2/2005 Park et al. D14/138
6,850,784 B2 * 2/2005 SanGiovanni 455/575.1
D502,932 S * 3/2005 Minamide D14/138
D505,407 S * 5/2005 Itano D14/138
D506,454 S * 6/2005 Kim et al. D14/138
D508,035 S * 8/2005 Kim et al. D14/138
D508,903 S * 8/2005 Kim et al. D14/138
D510,080 S * 9/2005 Kim et al. D14/138
D518,812 S * 4/2006 Kim et al. D14/138
D519,971 S * 5/2006 Morita et al. D14/138
D519,972 S * 5/2006 Chung et al. D14/138

D521,481 S * 5/2006 Shin D14/138
7,036,186 B2 * 5/2006 Jeong et al. 16/303
D524,776 S * 7/2006 Chang D14/138
D524,785 S * 7/2006 Huang D14/138
7,146,197 B2 * 12/2006 Kang et al. 455/575.1
2003/0064758 A1 * 4/2003 Mizuta et al. 455/566
2003/0078069 A1 * 4/2003 Lindeman 455/550
2004/0110529 A1 * 6/2004 Watanabe et al. 455/550.1
2004/0132482 A1 * 7/2004 Kang et al. 455/550.1
2004/0192422 A1 * 9/2004 Watanabe et al. 455/575.3
2004/0203535 A1 * 10/2004 Kim et al. 455/90.3
2004/0229594 A1 * 11/2004 Jung et al. 455/350
2005/0026656 A1 * 2/2005 Park et al. 455/557
2005/0113156 A1 * 5/2005 Park et al. 455/575.4
2005/0136999 A1 * 6/2005 Jeon 455/575.3
2005/0282596 A1 * 12/2005 Park et al. 455/575.3
2006/0154702 A1 * 7/2006 Kang et al. 455/575.3

FOREIGN PATENT DOCUMENTS

JP 1143093 * 6/2002
JP 1159728 * 12/2002
JP 1174585 * 6/2003

* cited by examiner

Primary Examiner—Jeffrey Asch
(74) *Attorney, Agent, or Firm*—Staas & Halsey LLP

(57) **CLAIM**

The ornamental design for the mobile phone, as shown and described.

DESCRIPTION

FIG. 1 is a perspective view of a mobile phone in a closed position;
FIG. 2 is a front view of the mobile phone of FIG. 1;
FIG. 3 is a rear view of the mobile phone of FIG. 1;
FIG. 4 is a left side view of the mobile phone of FIG. 1;
FIG. 5 is a right side view of the mobile phone of FIG. 1;
FIG. 6 is a top plan view of the mobile phone of FIG. 1;
FIG. 7 is a bottom plan view of the mobile of FIG. 1; and,
FIG. 8 is a perspective view of the mobile phone of FIG. 1 in an opened position.

1 Claim, 3 Drawing Sheets

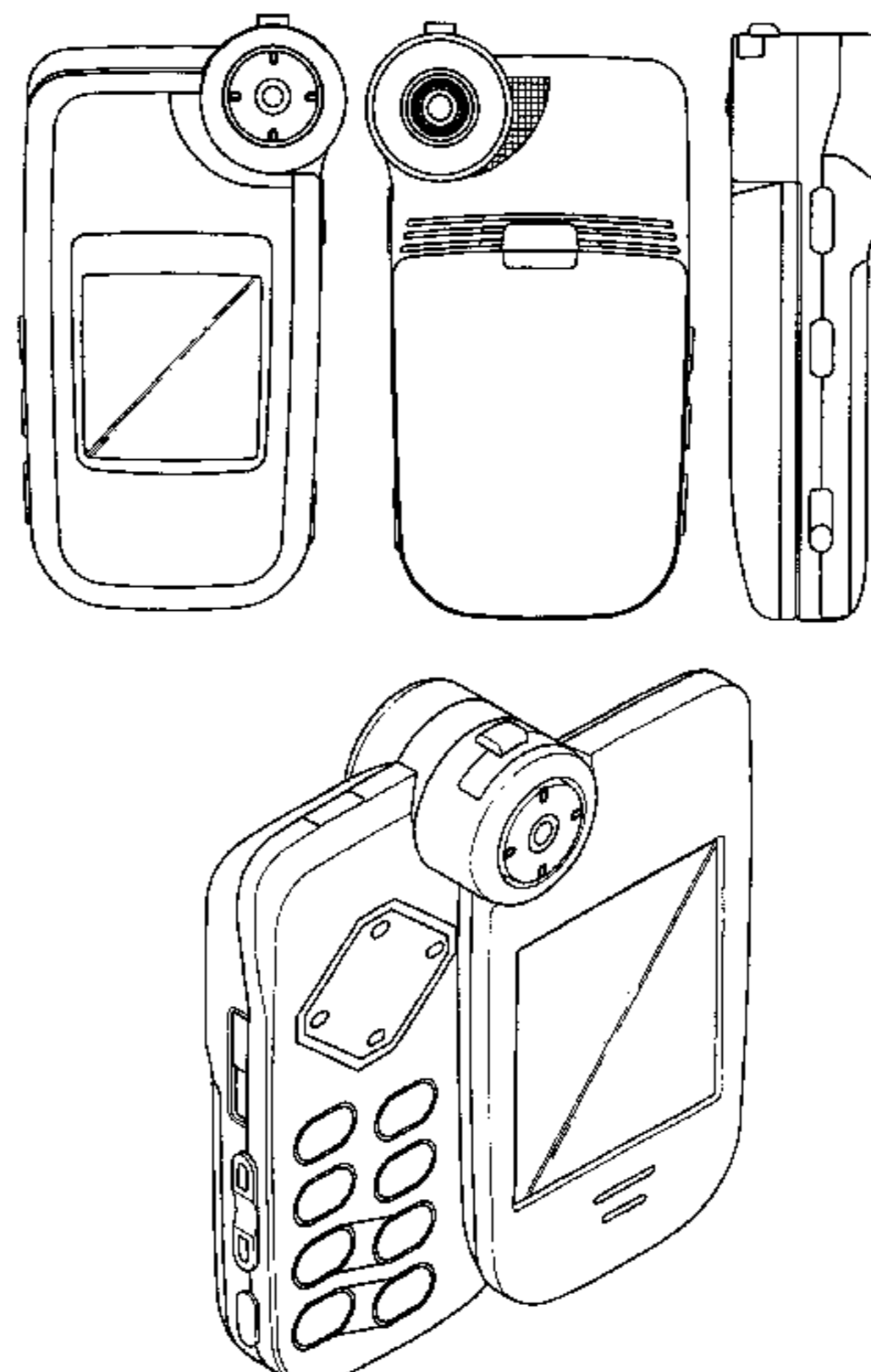


FIG. 1

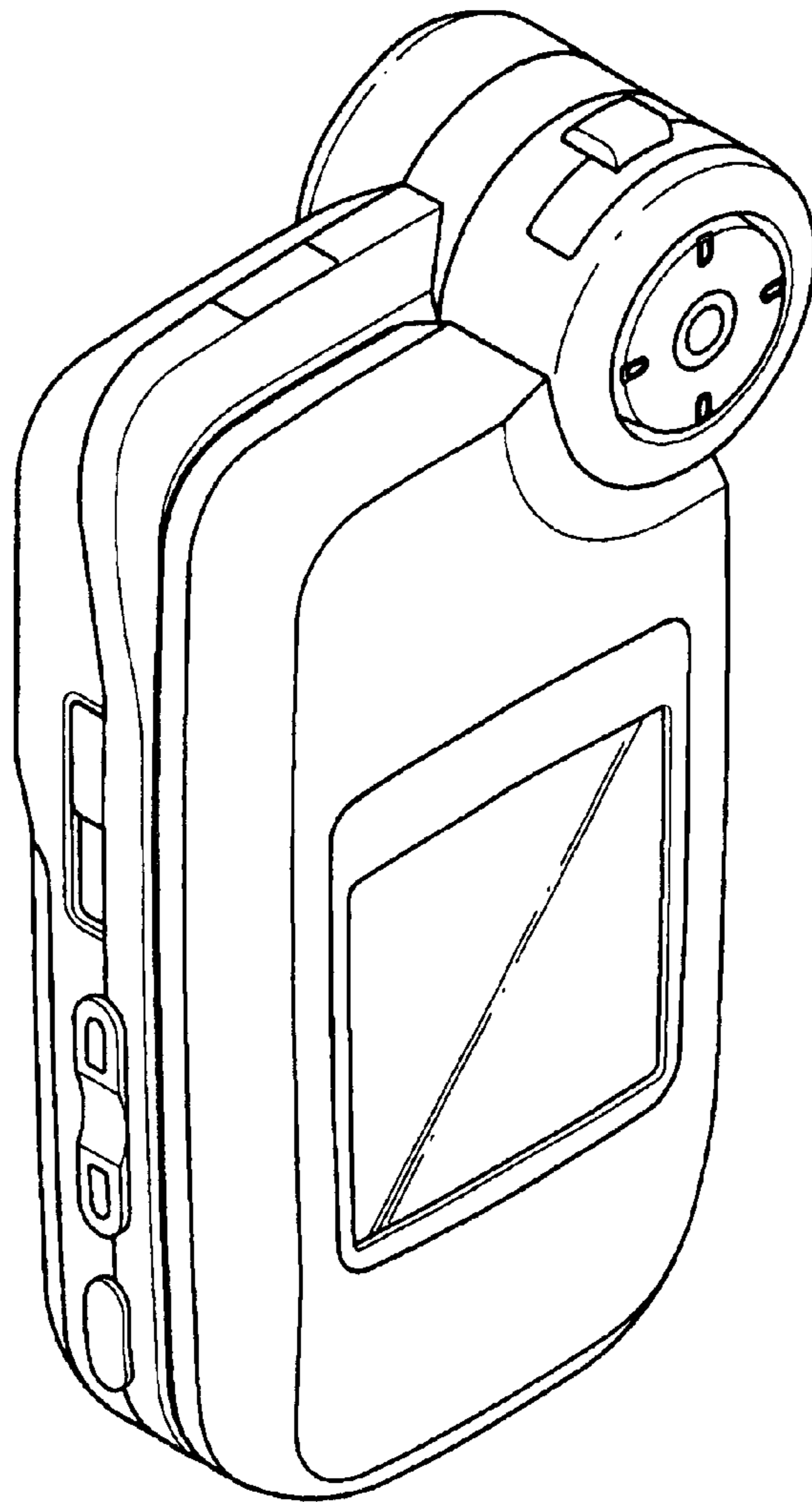


FIG.2

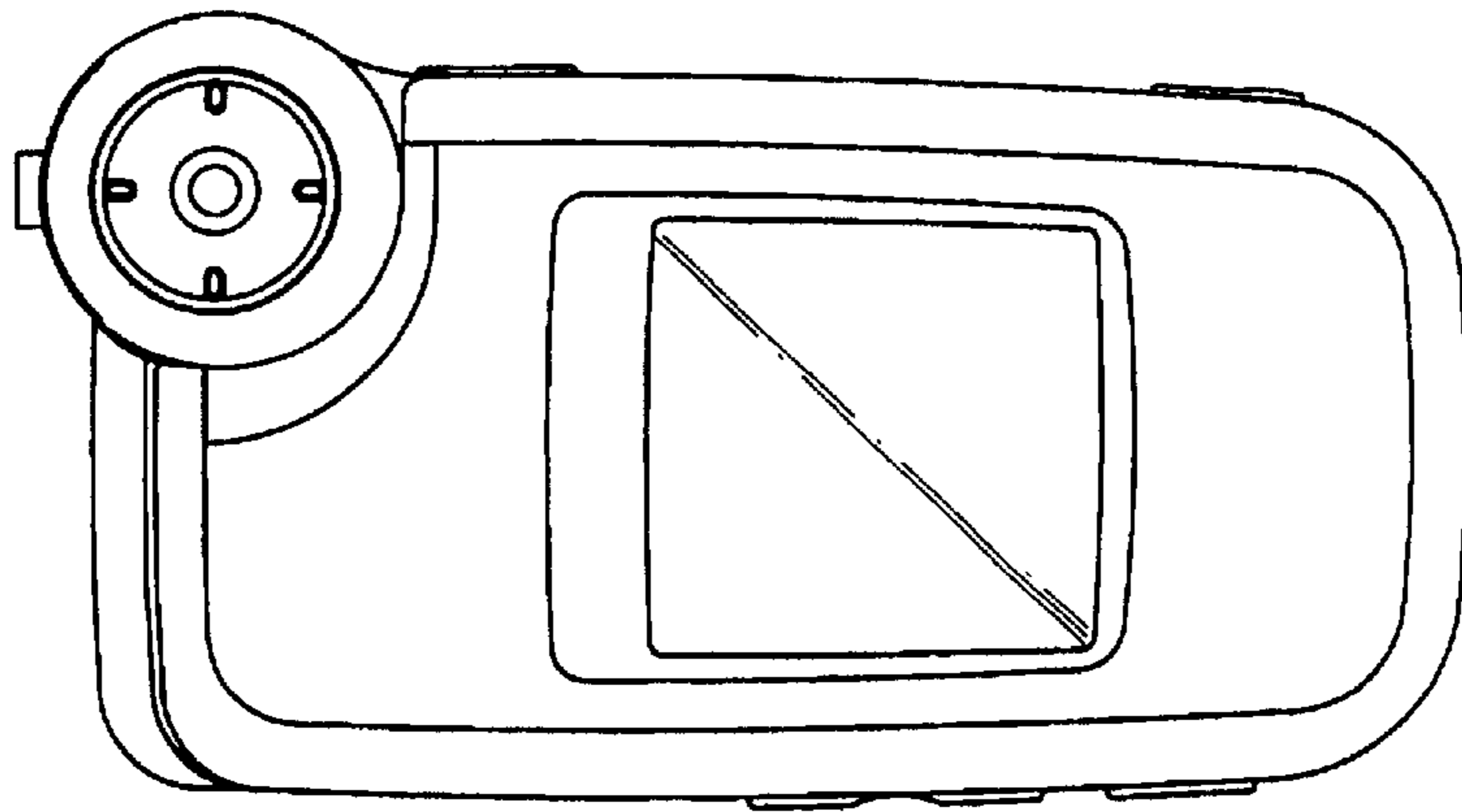


FIG.3

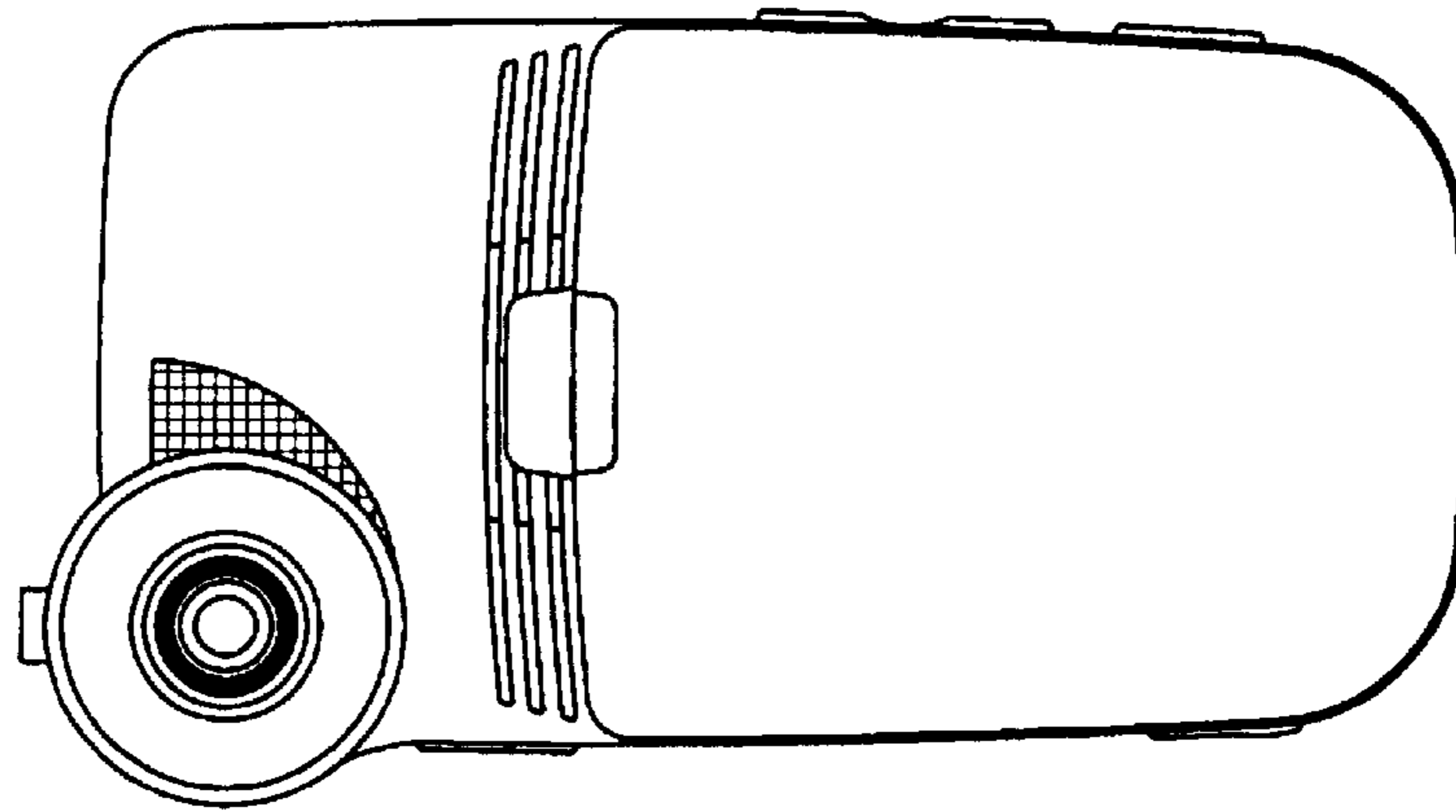


FIG.4

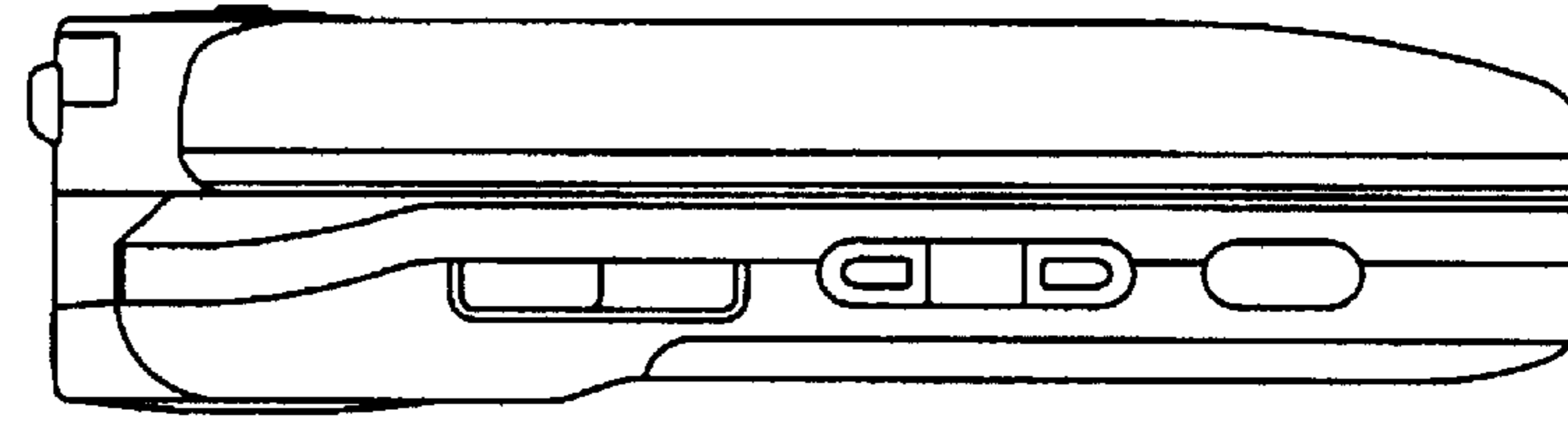


FIG.5

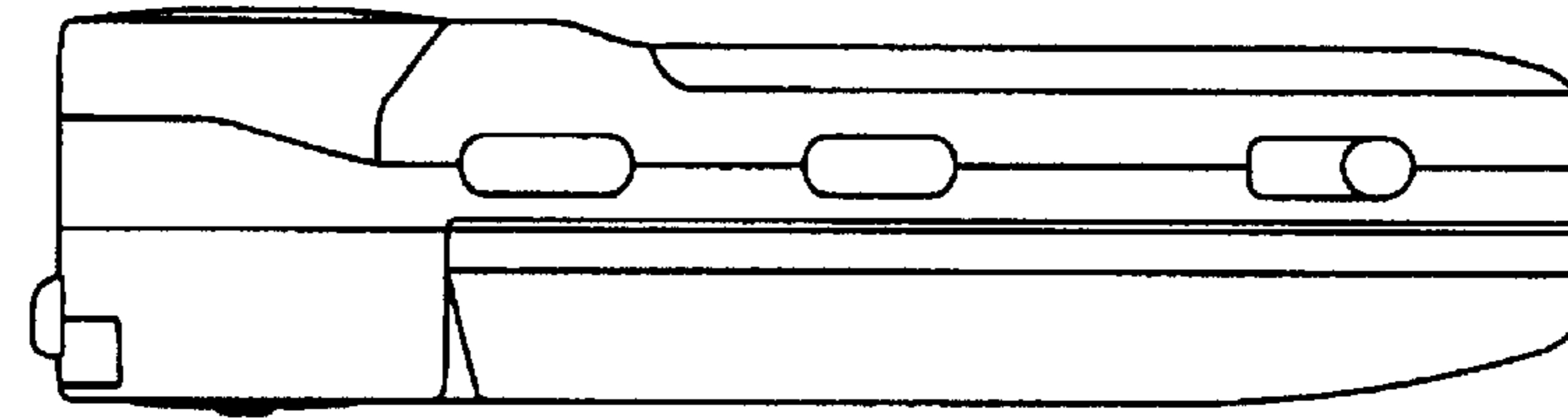


FIG. 6

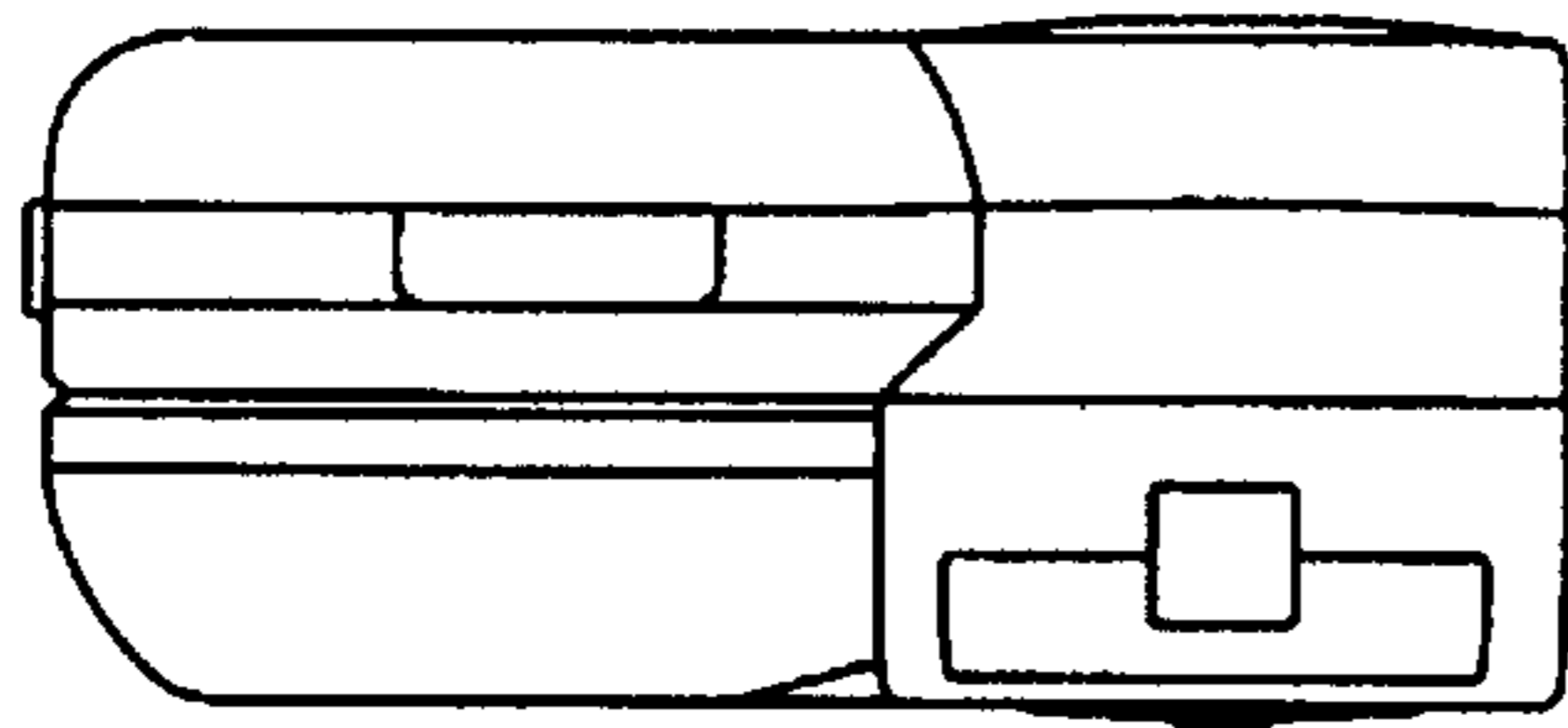


FIG. 7

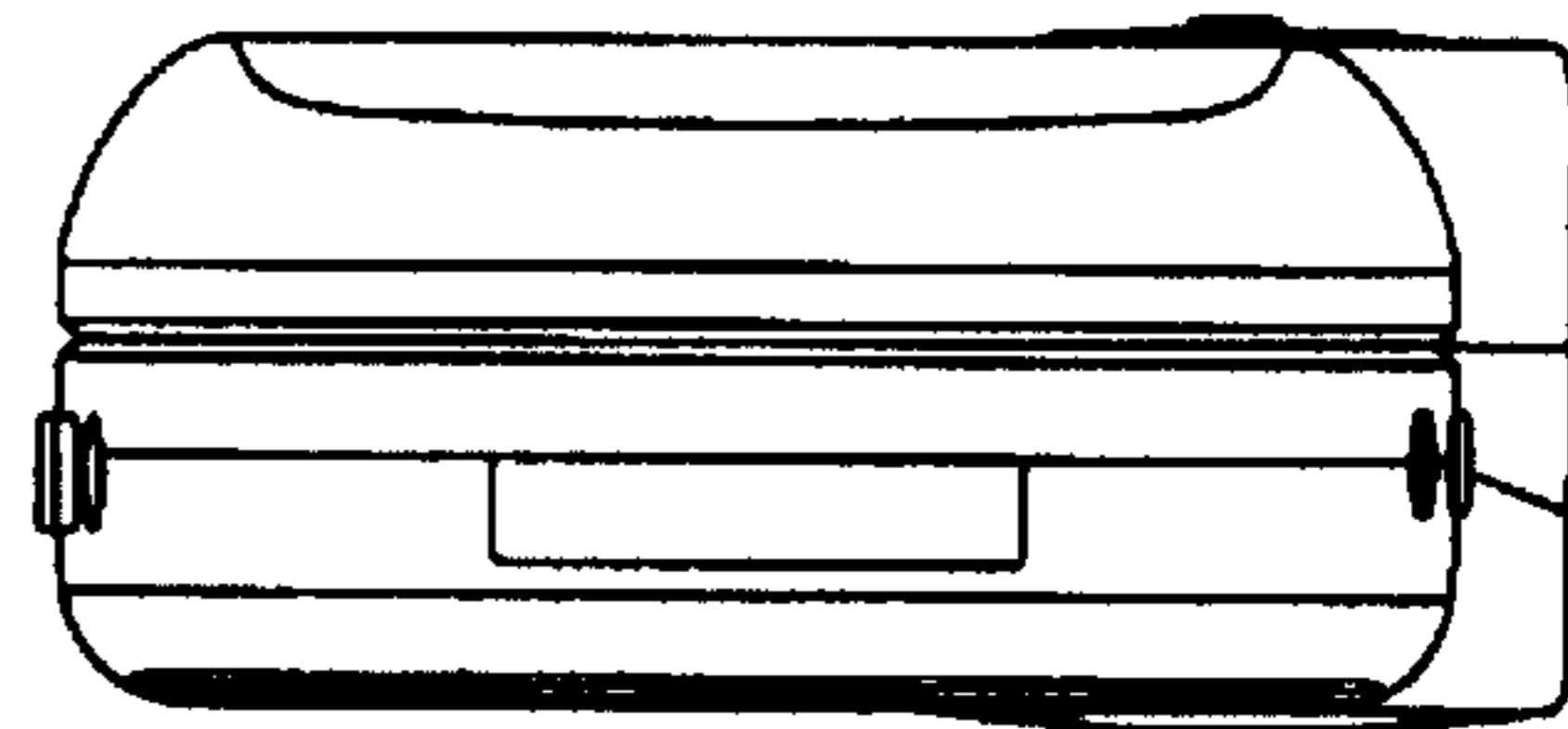


FIG. 8

