

US00D543163S

(12) **United States Design Patent** (10) **Patent No.:** **US D543,163 S**  
**Yang et al.** (45) **Date of Patent:** **\*\* May 22, 2007**

(54) **TELEVISION**

(75) Inventors: **Jun-Ho Yang**, Seoul (KR); **Baek-Ki Kim**, Seoul (KR)

(73) Assignee: **Samsung Electronics Co., Ltd.**, Kyunggi-do (KR)

(\*\*) Term: **14 Years**

(21) Appl. No.: **29/236,967**

(22) Filed: **Aug. 24, 2005**

(51) **LOC (8) Cl.** ..... **14-03**

(52) **U.S. Cl.** ..... **D14/126**

(58) **Field of Classification Search** ..... D14/125-134, D14/239, 371, 136, 374-377; 312/7.2; 348/836, 348/838, 180, 184, 325, 739; 341/12; 248/917-924, 248/465; 345/104, 133, 156, 168, 87, 173; 720/605, 669, 600, 655; 369/99, 197; 455/344-347  
See application file for complete search history.

(56) **References Cited**

**U.S. PATENT DOCUMENTS**

D357,468 S	4/1995	Rodd	
D398,911 S	* 9/1998	Lin	D14/375
D412,892 S	8/1999	Lee	
D415,754 S	* 10/1999	Tanigawa et al.	D14/126
6,015,120 A	1/2000	Sweere et al.	
D458,928 S	6/2002	Duan	
D477,320 S	7/2003	Peng et al.	
D489,370 S	5/2004	Jobs et al.	
D496,915 S	* 10/2004	Kita	D14/126
D501,186 S	* 1/2005	Kita	D14/126
D502,931 S	* 3/2005	Kita	D14/126
D509,197 S	* 9/2005	Asawa et al.	D14/126
D510,730 S	* 10/2005	Asanuma et al.	D14/126

**OTHER PUBLICATIONS**

U.S. Appl. No. 29/217,926, Applicant: Young-Jun Kim, et al., filed Nov. 23, 2004 entitled Projection Television.

U.S. Appl. No. 29/218,855, Applicant: Seung-Ho Lee, et al., filed Dec. 8, 2004 entitled LCD TV.

U.S. Appl. No. 29/218,856, Applicant: Seung-Ho Lee, et al., filed Dec. 8, 2004 entitled LCD TV.

U.S. Appl. No. 29/228,022, Applicant: Yun-Je Kang, et al., filed Apr. 19, 2005 entitled Projection Television.

U.S. Appl. No. 29/228,541, Applicant: Young-Sun Shin, et al., filed Apr. 25, 2005 entitled Television.

U.S. Appl. No. 29/228,026, Applicant: Yun-Je Kang, et al., filed Apr. 19, 2005 entitled Projection Television.

U.S. Appl. No. 29/228,024, Applicant: Ki-Soo Kim, et al., filed Apr. 19, 2005 entitled LCD Television.

U.S. Appl. No. 29/212,121, Applicant: Eui-Seok Kim, et al., filed Aug. 26, 2004 entitled LCD Monitor.

U.S. Appl. No. 29/231,241, Applicant: Young-Jun Kim, et al., filed Jun. 2, 2005 entitled Monitor.

U.S. Appl. No. 29/231,236, Applicant: Ki-Soo Kim, et al., filed Jun. 2, 2005 entitled LCD Monitor.

U.S. Appl. No. 29/231,924, Applicant: Sang-II Park, et al., filed Jun. 10, 2005 entitled LCD Monitor.

U.S. Appl. No. 29/212,121, Applicant: Eui-Seok Kim, filed Aug. 26, 2004 entitled LCD Monitor.

U.S. Appl. No. 29/231,925, Applicant: Sang-II Park, et al., filed Jun. 10, 2005 entitled LCD Monitor.

U.S. Appl. No. 29/236,042, Applicant: Yun-Je Kang, et al., filed Aug. 10, 2005 entitled Projection Television.

(Continued)

*Primary Examiner*—Raphael Barkai

(74) *Attorney, Agent, or Firm*—Flynn, Thiel, Boutell & Tanis, P.C.

(57) **CLAIM**

The ornamental design for a television, as shown and described.

**DESCRIPTION**

FIG. 1. is a top front perspective view of a television showing our new design.

FIG. 2. is a front elevational view thereof.

FIG. 3. is a rear elevational view thereof.

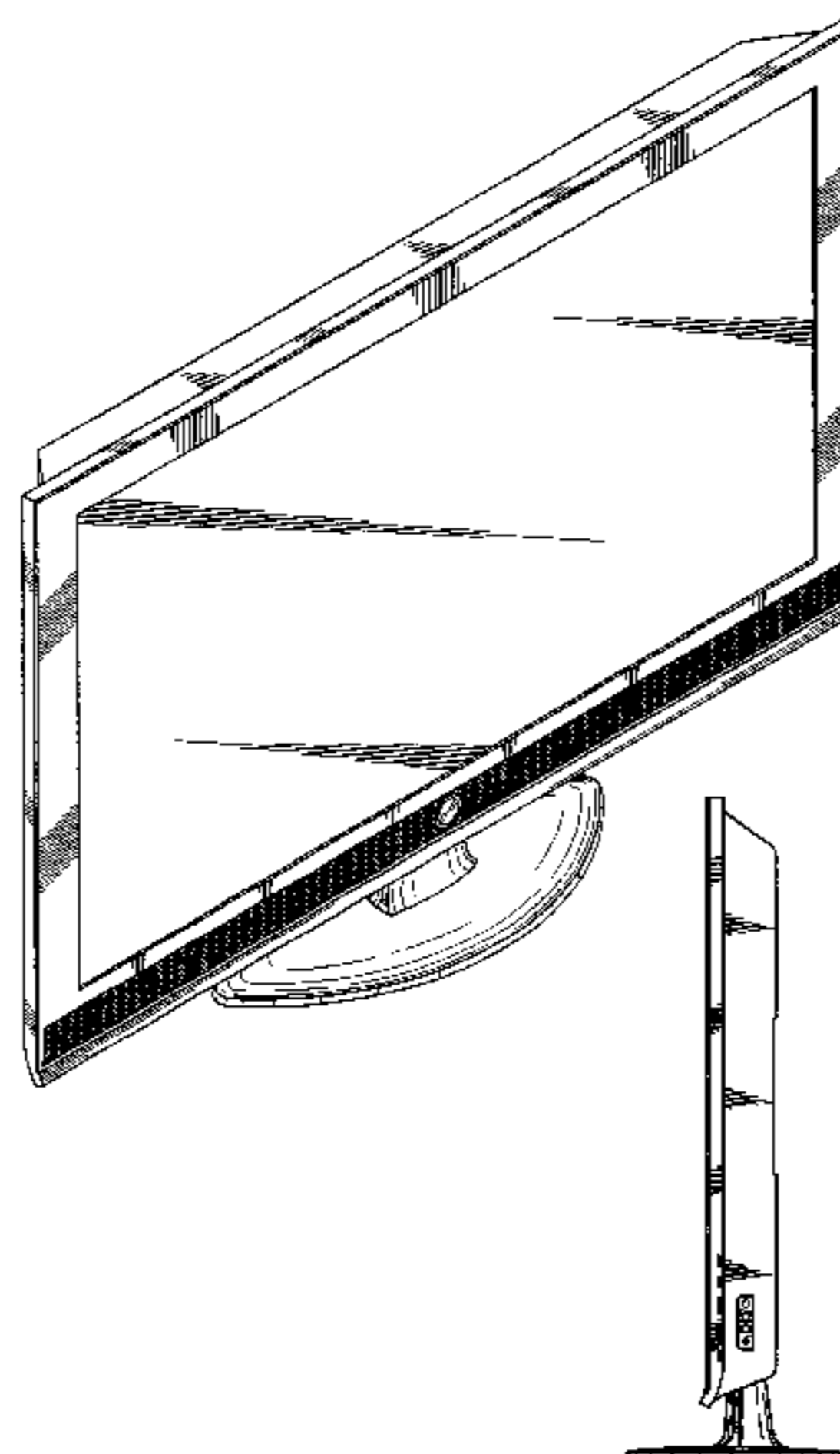
FIG. 4. is a left side elevational view thereof.

FIG. 5. is a right side elevational view thereof.

FIG. 6. is a top plan view thereof; and,

FIG. 7. is a bottom plan view thereof.

**1 Claim, 4 Drawing Sheets**



OTHER PUBLICATIONS

U.S. Appl. No. 29/236,043, Applicant: Yun-Je Kang, et al., filed Aug. 10, 2005 entitled Projection Television.

U.S. Appl. No. 29/236,044, Applicant: Sang-Won Yoon, filed Aug. 10, 2005 entitled LCD Monitor.

U.S. Appl. No. 29/236,045, Applicant: Yun-Je Kang, et al., filed Aug. 10, 2005 entitled Projection Television.

U.S. Appl. No. 29/236,046, Applicant: Min-Hyong Boo, et al., filed Aug. 10, 2005 entitled LCD Monitor.

U.S. Appl. No. 29/236,960, Applicant: Baek-Ki Kim, et al., filed Aug. 24, 2005 entitled LCD Monitor.

U.S. Appl. No. 29/236,961, Applicant: Kyoung-Hoon Kim, et al., filed Aug. 24, 2005 entitled Television.

U.S. Appl. No. 29/236,965, Applicant: Jun-Ho Yang, et al., filed Aug. 24, 2005 entitled Television.

U.S. Appl. No. 29/236,966, Applicant: Jun-Ho Yang, et al., filed Aug. 24, 2005 entitled LCD Television.

U.S. Appl. No. 29/236,968, Applicant: Jun-Ho Yang, et al., filed Aug. 24, 2005 entitled Television.

U.S. Appl. No. 29/236,969, Applicant: Jun-Ho Yang, et al., filed Aug. 24, 2005 entitled Television.

\* cited by examiner

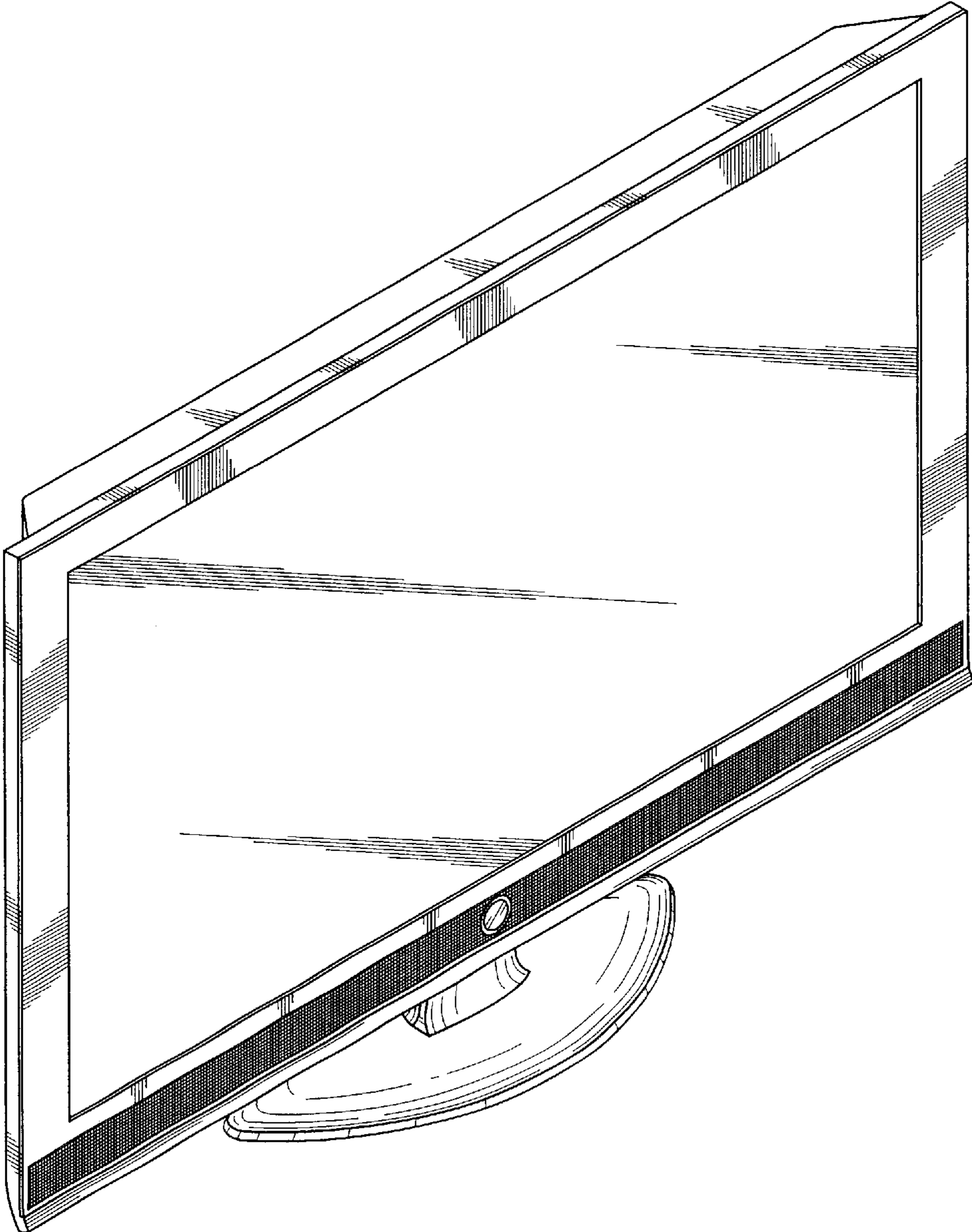


FIG. 1

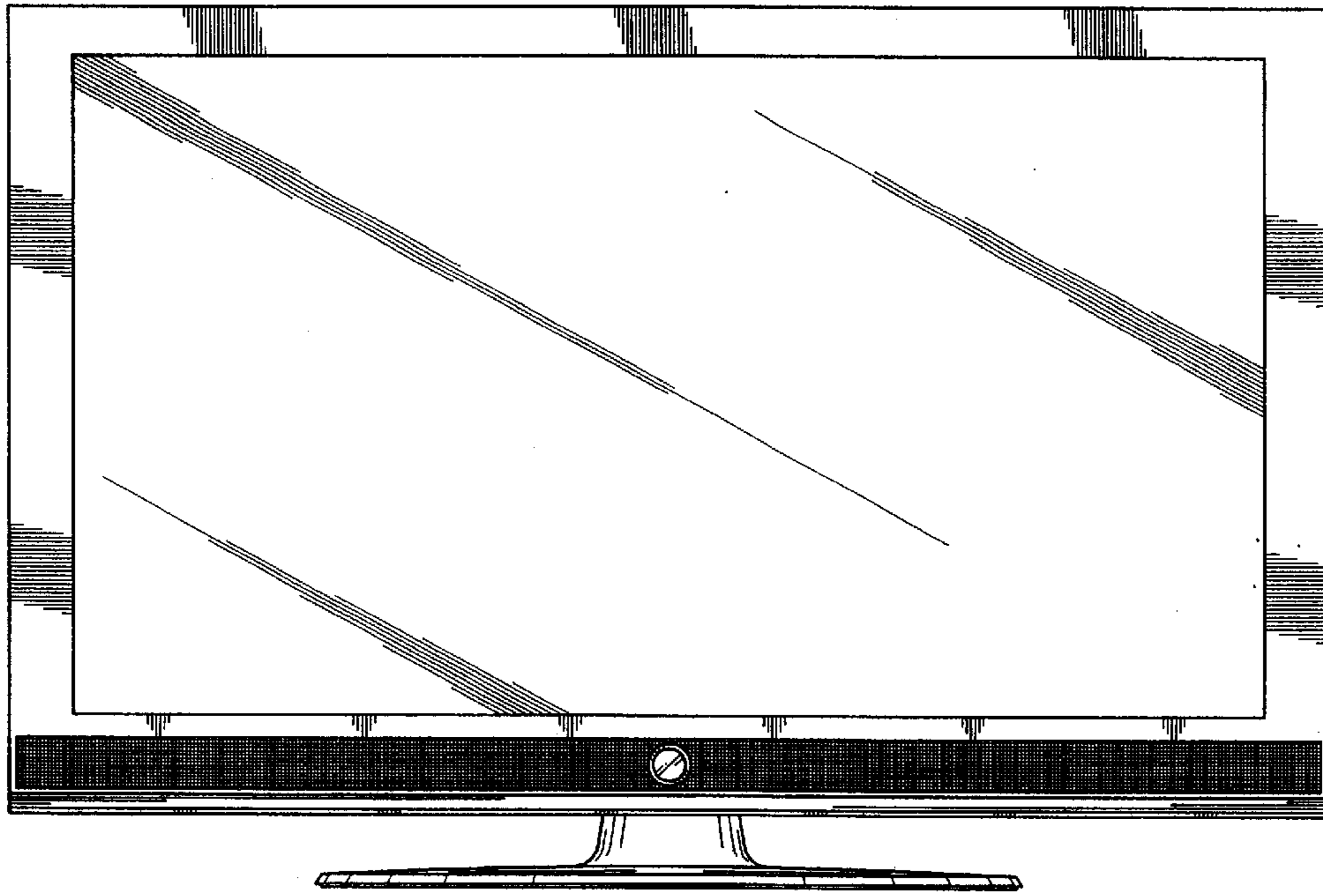


FIG. 2

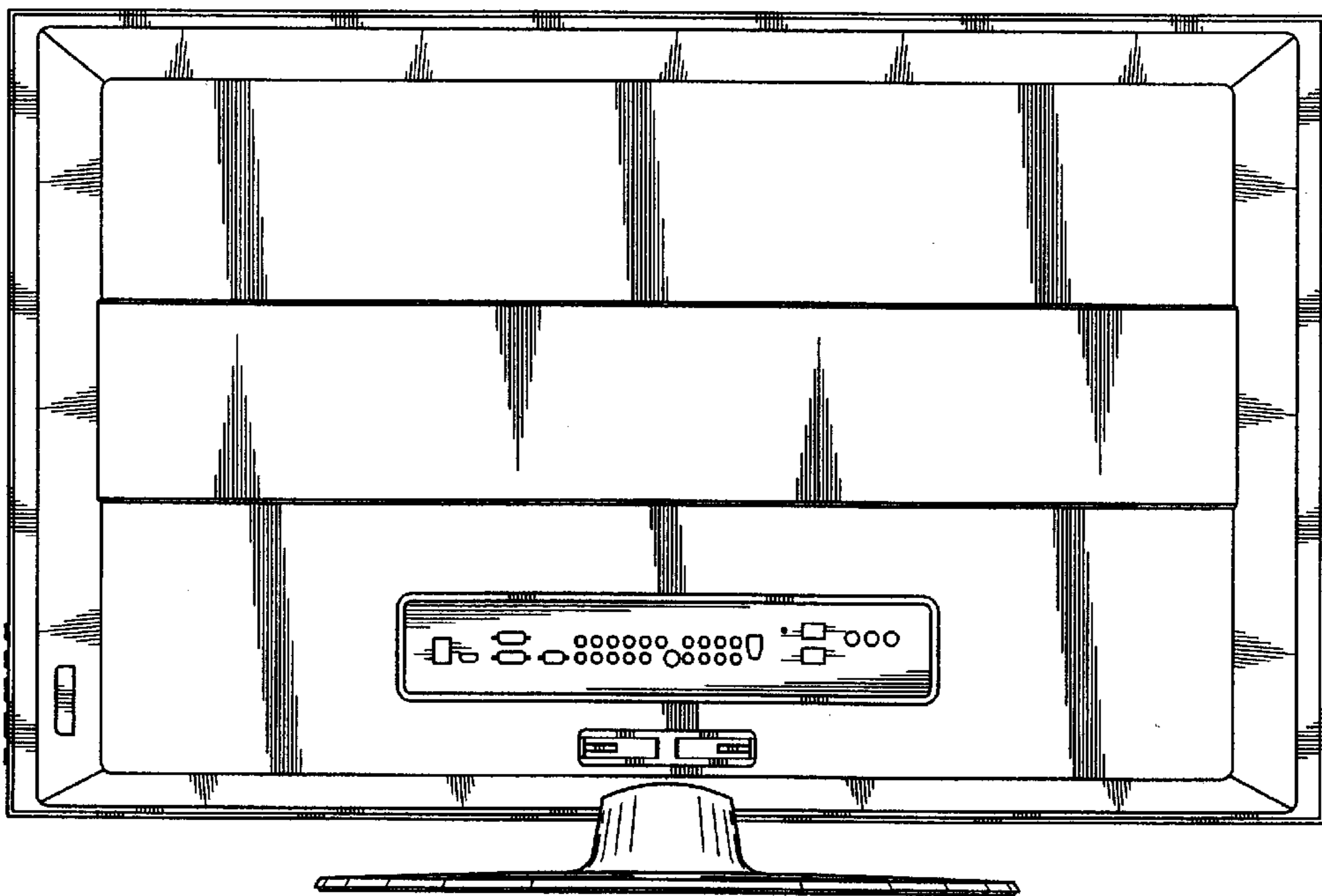


FIG. 3

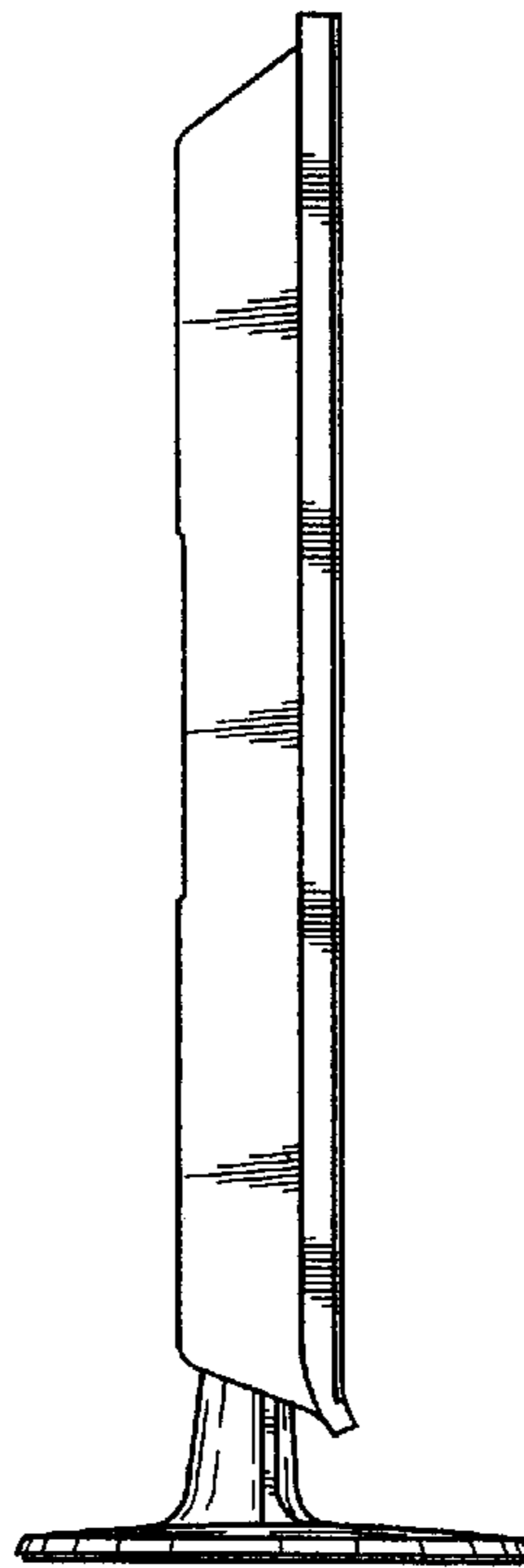


FIG. 4

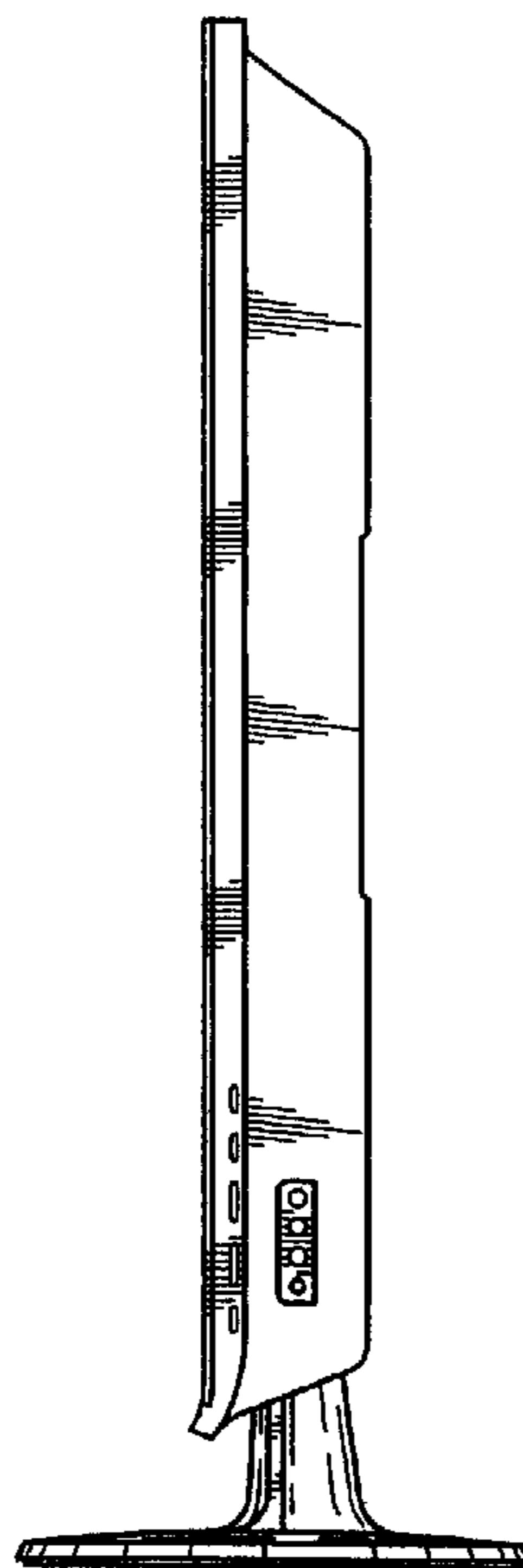


FIG. 5

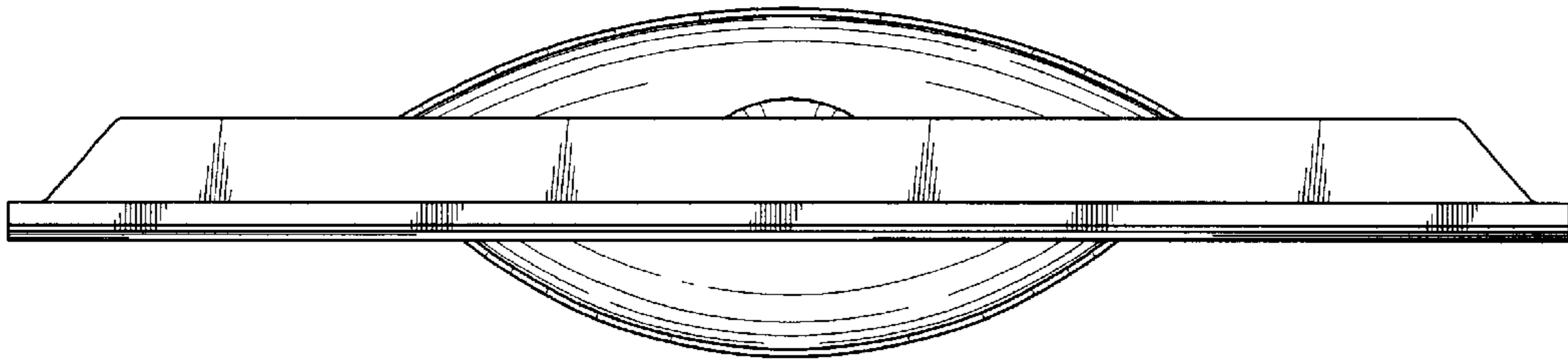


FIG. 6

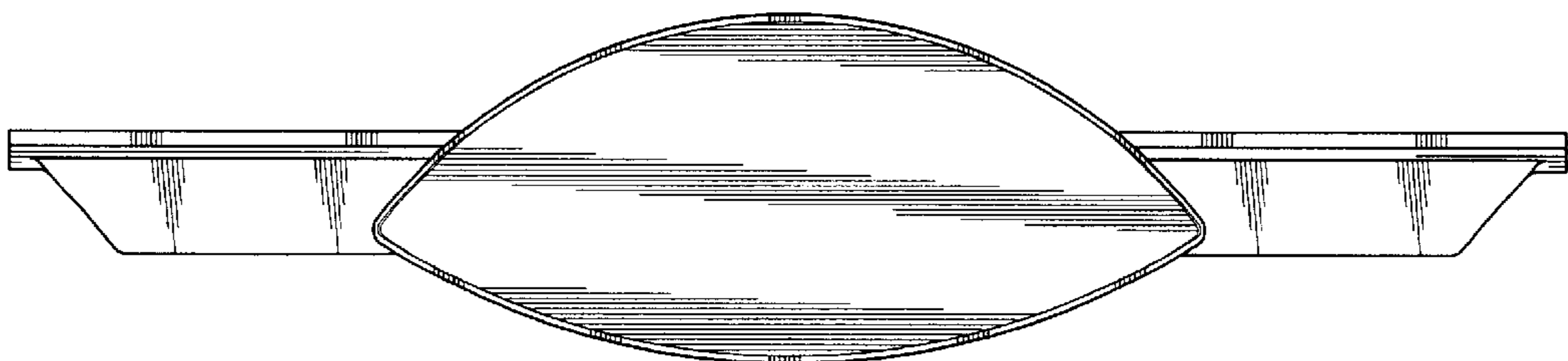


FIG. 7