



US00D543156S

(12) **United States Design Patent**
Suckle

(10) **Patent No.:** **US D543,156 S**

(45) **Date of Patent:** **** May 22, 2007**

- (54) **HDMI CABLE HEAD**
- (75) Inventor: **Mitchell Suckle**, Long Beach, CA (US)
- (73) Assignee: **Belkin International, Inc.**, Compton, CA (US)
- (**) Term: **14 Years**

D513,408 S	*	1/2006	Suckle	D13/154
D513,409 S	*	1/2006	Suckle	D13/156
D516,032 S	*	2/2006	Suckle et al.	D13/147
D519,464 S	*	4/2006	Suckle et al.	D13/156
D520,457 S	*	5/2006	Wada et al.	D13/156
D520,458 S	*	5/2006	Wada et al.	D13/156
D520,459 S	*	5/2006	Kent et al.	D13/156
D520,955 S	*	5/2006	Huang	D13/147

- (21) Appl. No.: **29/241,782**
 - (22) Filed: **Oct. 31, 2005**
 - (51) **LOC (8) Cl.** **13-03**
 - (52) **U.S. Cl.** **D13/154**
 - (58) **Field of Classification Search** D13/133,
D13/146, 147, 154, 156, 184, 199; D14/433;
439/447, 483, 606-610, 668, 669, 675, 676,
439/680, 687, 750
- See application file for complete search history.

* cited by examiner

Primary Examiner—Alan P. Douglas
Assistant Examiner—Rosemary K. Tarcza
(74) *Attorney, Agent, or Firm*—Bryan Cave LLP

- (56) **References Cited**
- U.S. PATENT DOCUMENTS
- D440,205 S * 4/2001 Lord D13/147
- D443,593 S * 6/2001 Milan D13/154
- D444,772 S * 7/2001 Milan D13/154
- D448,736 S * 10/2001 Milan D13/154
- D450,303 S * 11/2001 Milan D13/154
- D451,480 S * 12/2001 Milan D13/154
- D451,888 S * 12/2001 Milan D13/154
- D470,819 S * 2/2003 Sass et al. D13/133
- D471,156 S * 3/2003 Sass et al. D13/133
- D491,894 S * 6/2004 Jiang D13/147
- D507,540 S * 7/2005 Suckle D13/154
- D512,381 S * 12/2005 Sirichai et al. D13/154

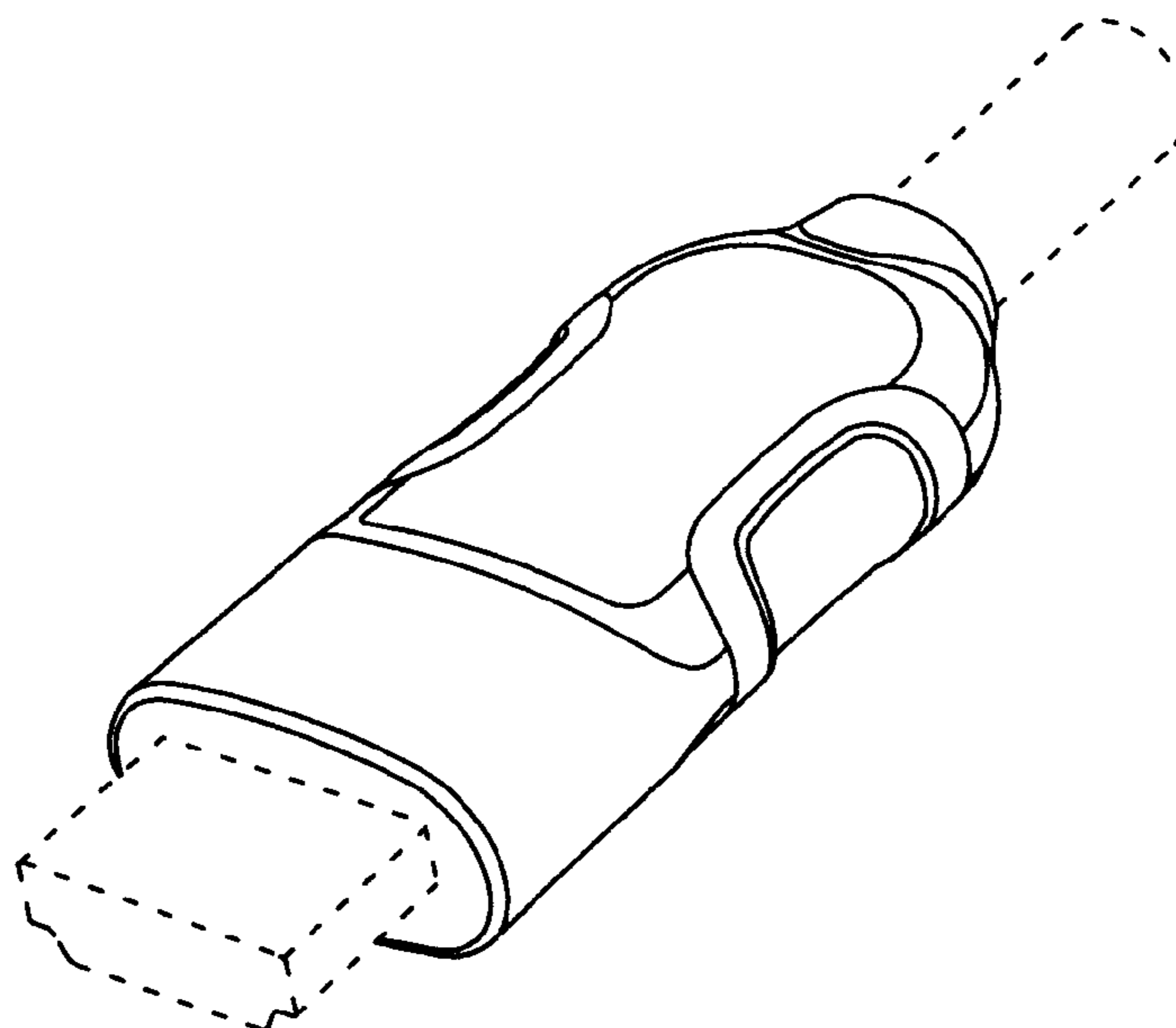
(57) **CLAIM**

I claim the ornamental design for an HDMI cable head, as shown and described.

DESCRIPTION

FIG. 1 is a front view of the HDMI cable head;
FIG. 2 is a rear view thereof;
FIG. 3 is a top view thereof, the bottom view (except for portions of the unclaimed features shown in broken lines) being a mirror image of the top view;
FIG. 4 is a left side elevational view thereof, the right side elevational view (except for portions of the unclaimed features shown in broken lines) being a mirror image of the left side elevational view;
FIG. 5 is a rear, right, top perspective view thereof; and,
FIG. 6 is a front, right, top perspective view thereof.
The broken lines in the drawings are for illustrative purposes only and form no part of the claimed design.

1 Claim, 1 Drawing Sheet



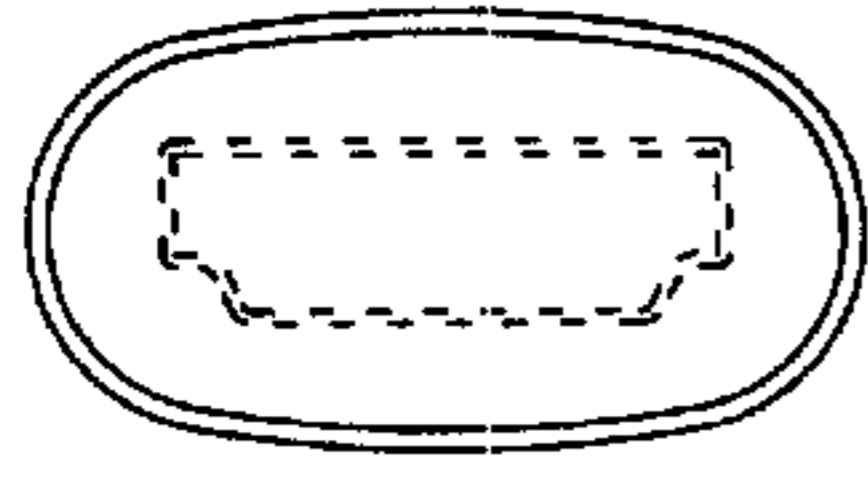


FIG. 1

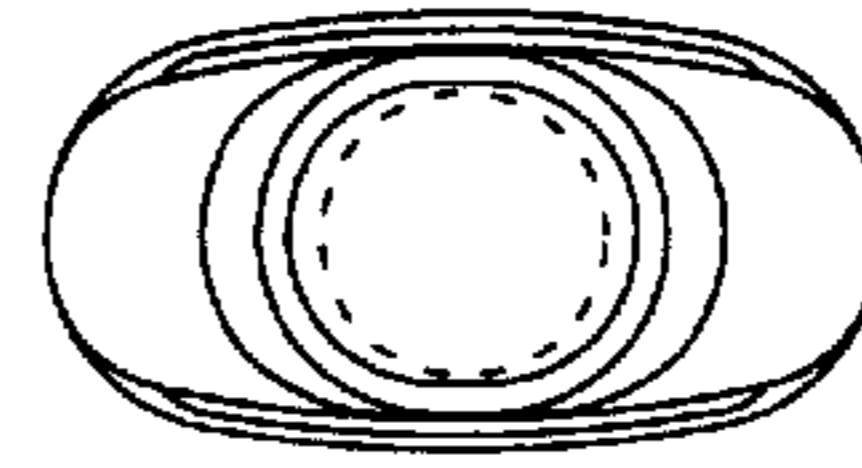


FIG. 2

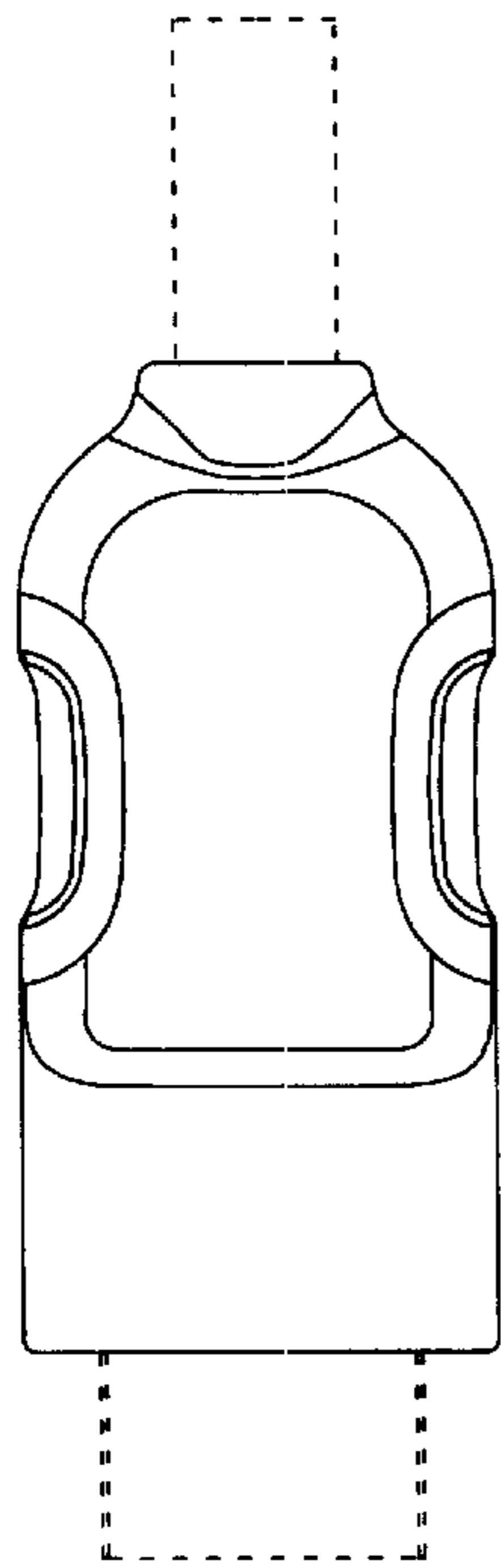


FIG. 3

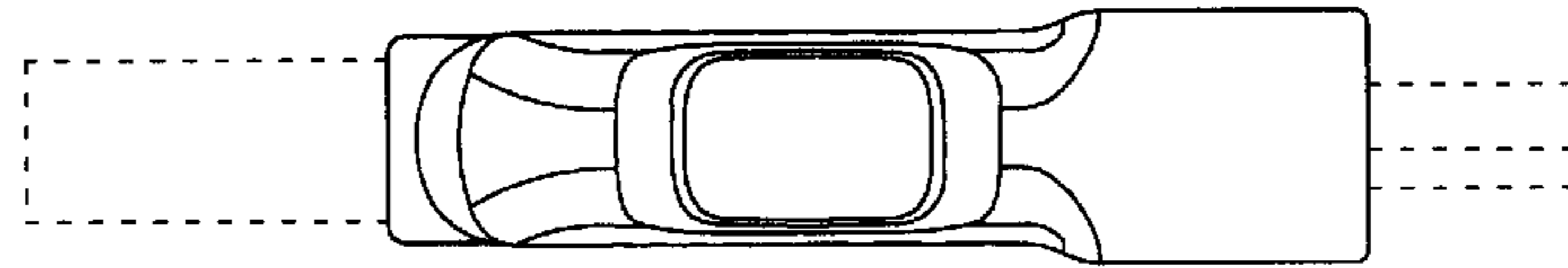


FIG. 4

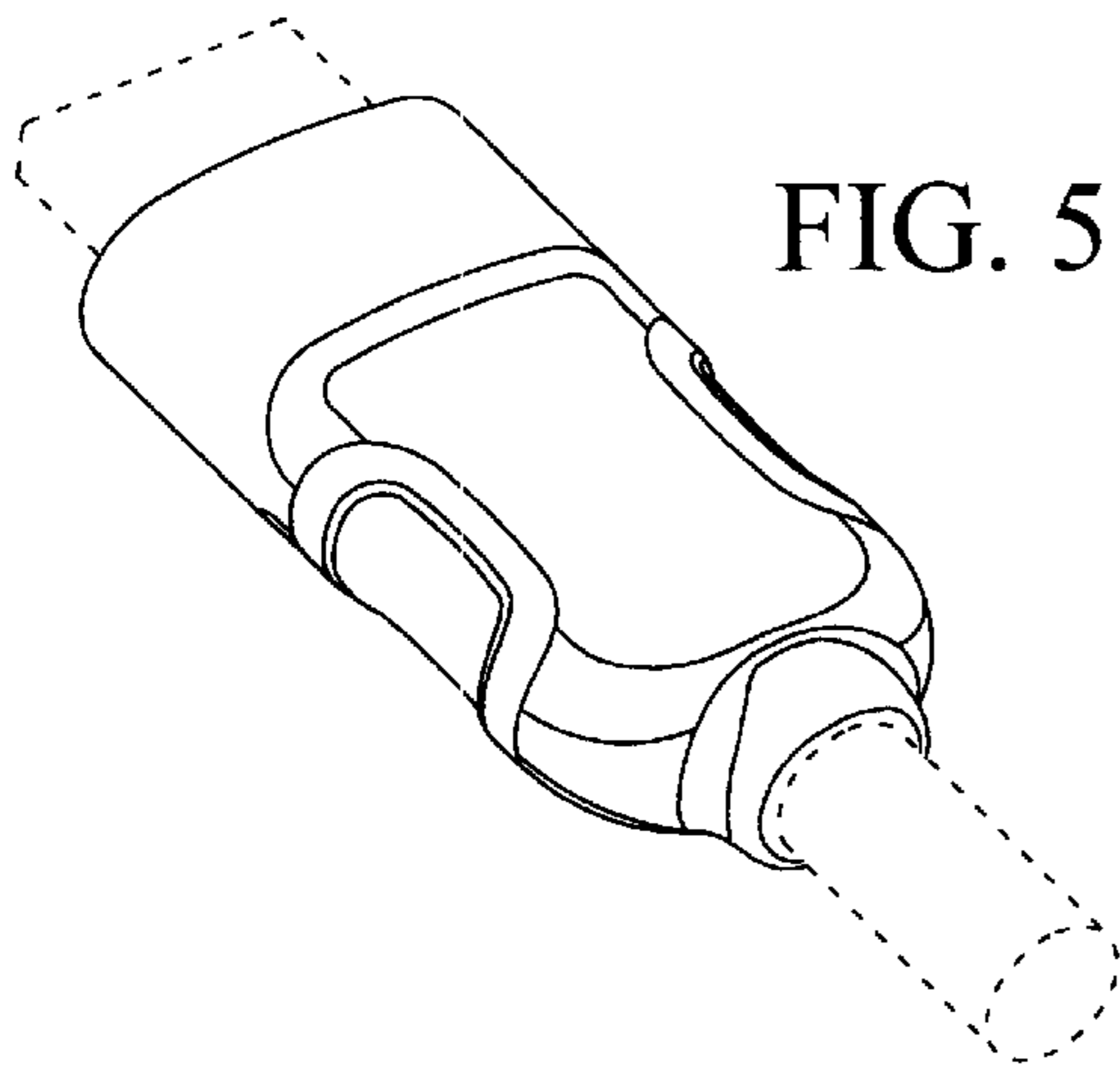


FIG. 5

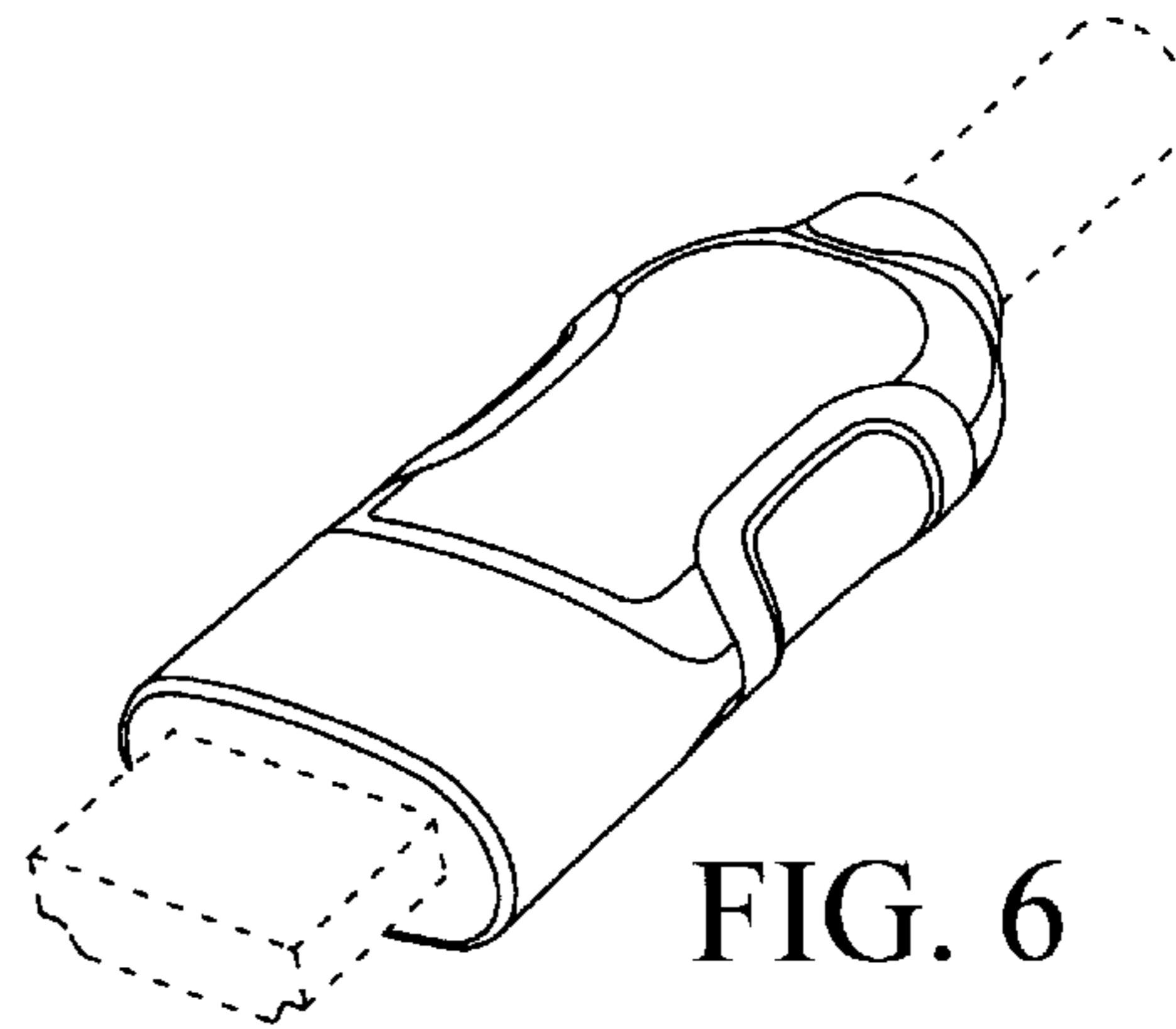


FIG. 6