

US00D543155S

(12) **United States Design Patent**
Suckle

(10) **Patent No.:** **US D543,155 S**

(45) **Date of Patent:** **** May 22, 2007**

(54) **DVI CABLE HEAD**

(75) Inventor: **Mitchell Suckle**, Long Beach, CA (US)

(73) Assignee: **Belkin International, Inc.**, Compton, CA (US)

(**) Term: **14 Years**

(21) Appl. No.: **29/241,781**

(22) Filed: **Oct. 31, 2005**

(51) **LOC (8) Cl.** **13-03**

(52) **U.S. Cl.** **D13/154**

(58) **Field of Classification Search** D13/133,
D13/146, 147, 154, 156, 184, 199; D14/433;
439/447, 483, 606-610, 668, 669, 675, 676,
439/680, 687, 750

See application file for complete search history.

(56) **References Cited**

U.S. PATENT DOCUMENTS

D318,265 S	*	7/1991	Esslinger	D13/147
D406,819 S	*	3/1999	Taguchi	D13/154
D422,267 S	*	4/2000	Richards	D13/154
D436,924 S	*	1/2001	Lee	D13/147
D462,325 S	*	9/2002	Nakatomi	D13/147
D463,372 S	*	9/2002	Sato et al.	D13/147
D463,373 S	*	9/2002	Lee	D13/147
D468,266 S	*	1/2003	Huang	D13/147
D488,783 S	*	4/2004	Goto	D13/147

D513,408 S	*	1/2006	Suckle	D13/154
D513,409 S	*	1/2006	Suckle	D13/156
D515,508 S	*	2/2006	Lee	D13/147
D520,955 S	*	5/2006	Huang	D13/147

* cited by examiner

Primary Examiner—Alan P. Douglas

Assistant Examiner—Rosemary K. Tarcza

(74) *Attorney, Agent, or Firm*—Bryan Cave LLP

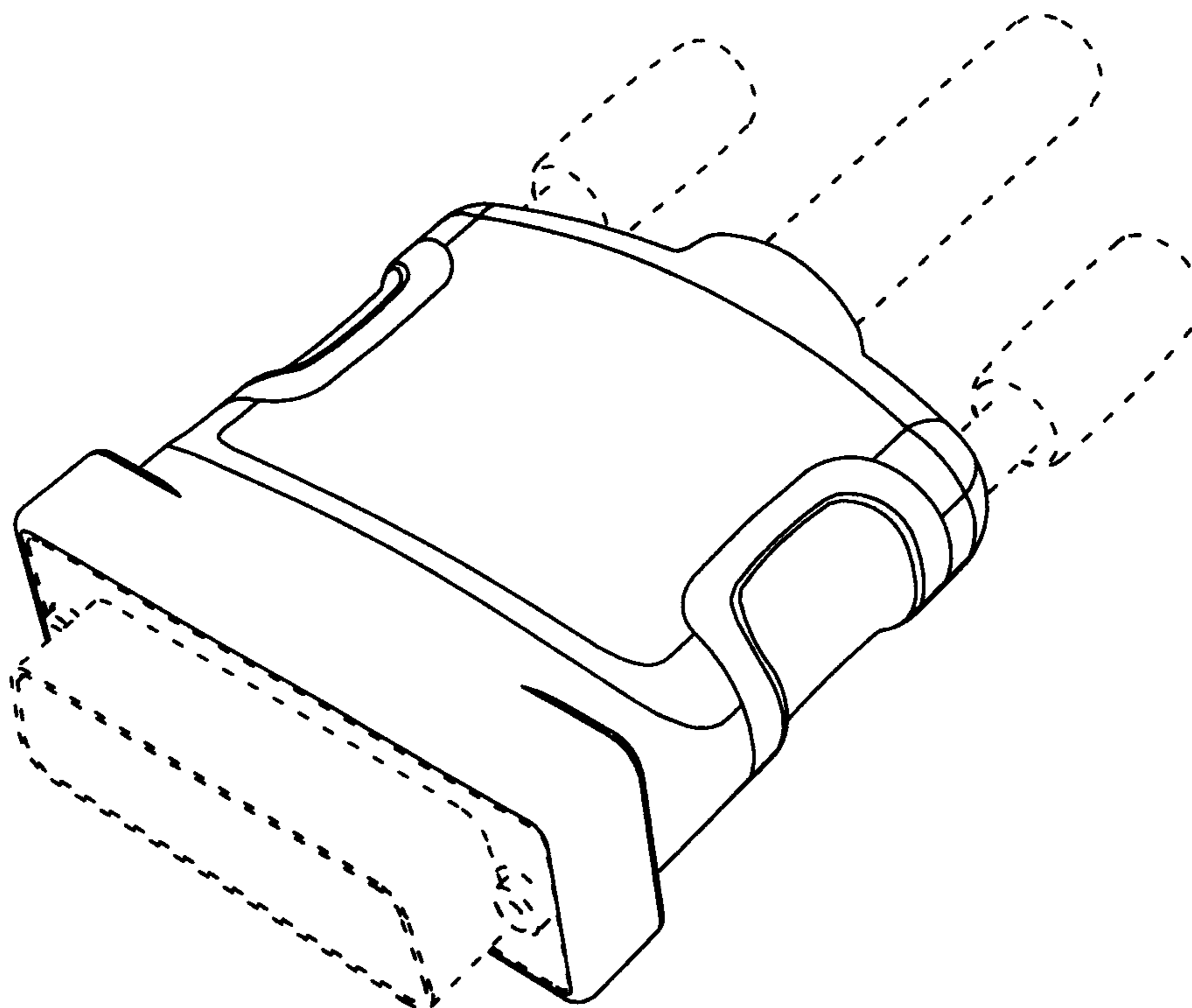
(57) **CLAIM**

I claim the ornamental design for a DVI cable head, as shown and described.

DESCRIPTION

FIG. 1 is a front view of the DVI cable head;
 FIG. 2 is a rear view thereof;
 FIG. 3 is a top view thereof, the bottom view (except for portions of the unclaimed features shown in broken lines) being a mirror image of the top view;
 FIG. 4 is a left side elevational view thereof, the right side elevational view (except for portions of the unclaimed features shown in broken lines) being a mirror image of the left side elevational view;
 FIG. 5 is a rear, right, top perspective view thereof; and,
 FIG. 6 is a front, left, bottom perspective view thereof.
 The broken lines in the drawings are for illustrative purposes only and form no part of the claimed design.

1 Claim, 1 Drawing Sheet



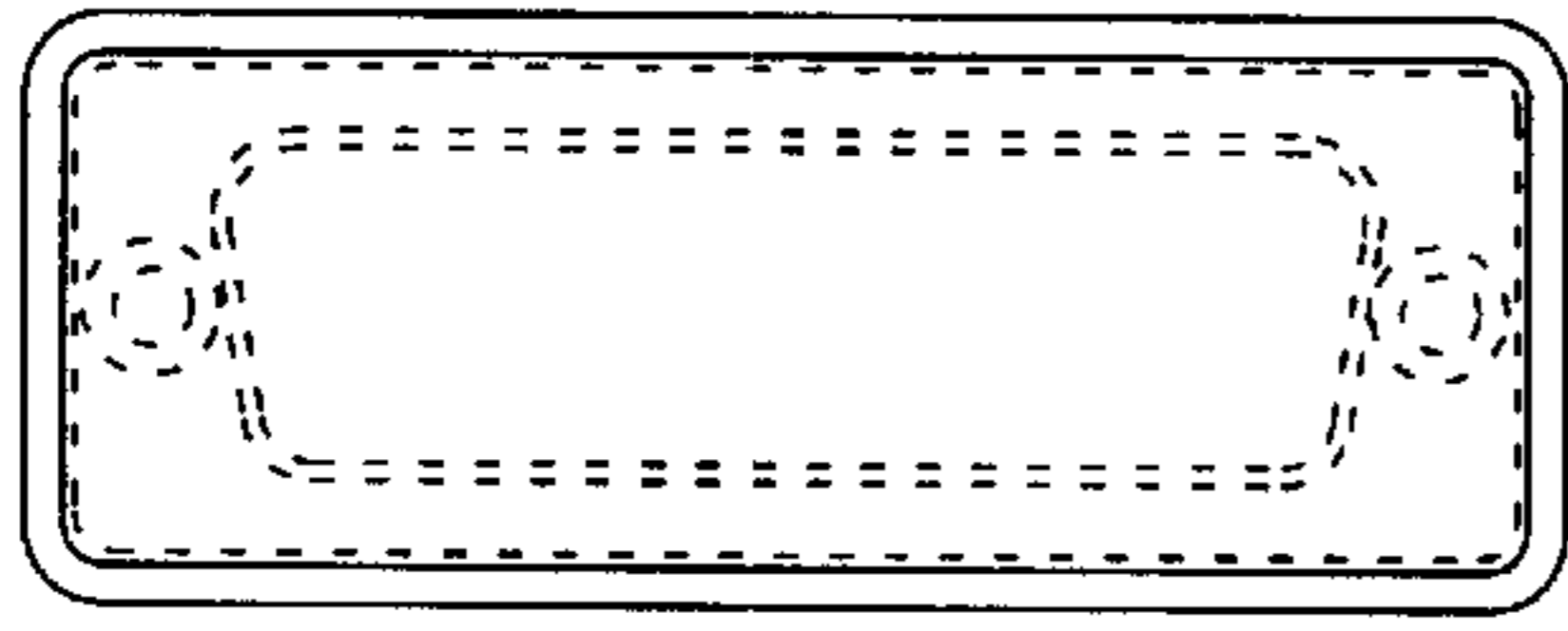


FIG. 1

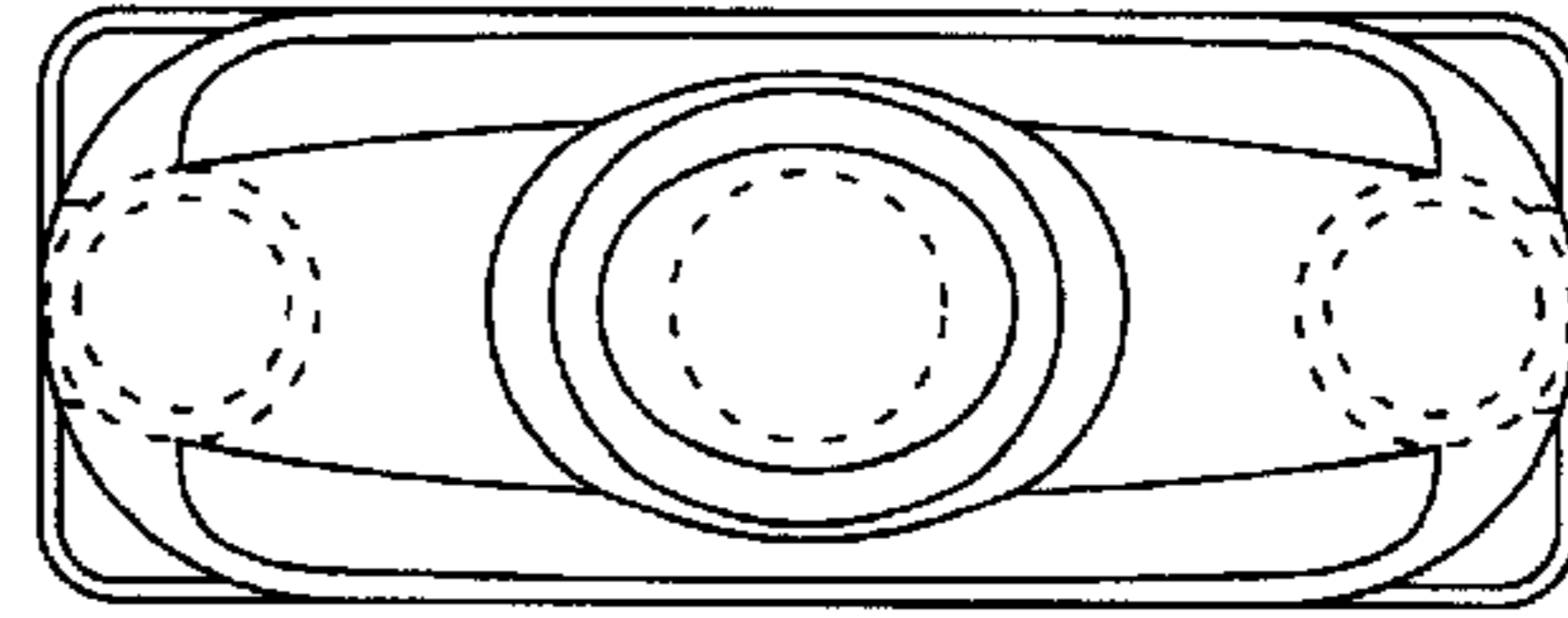


FIG. 2

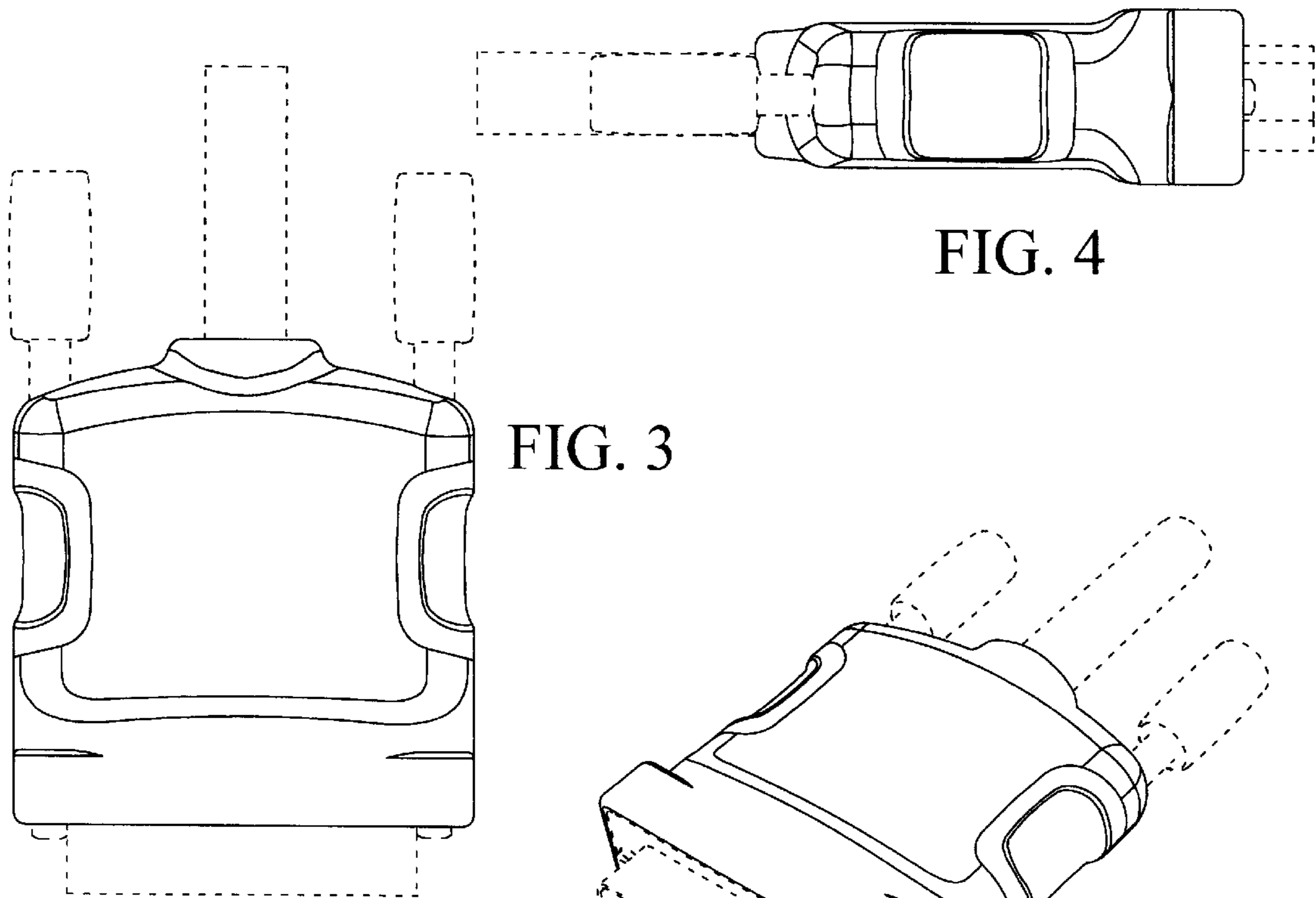


FIG. 3

FIG. 4

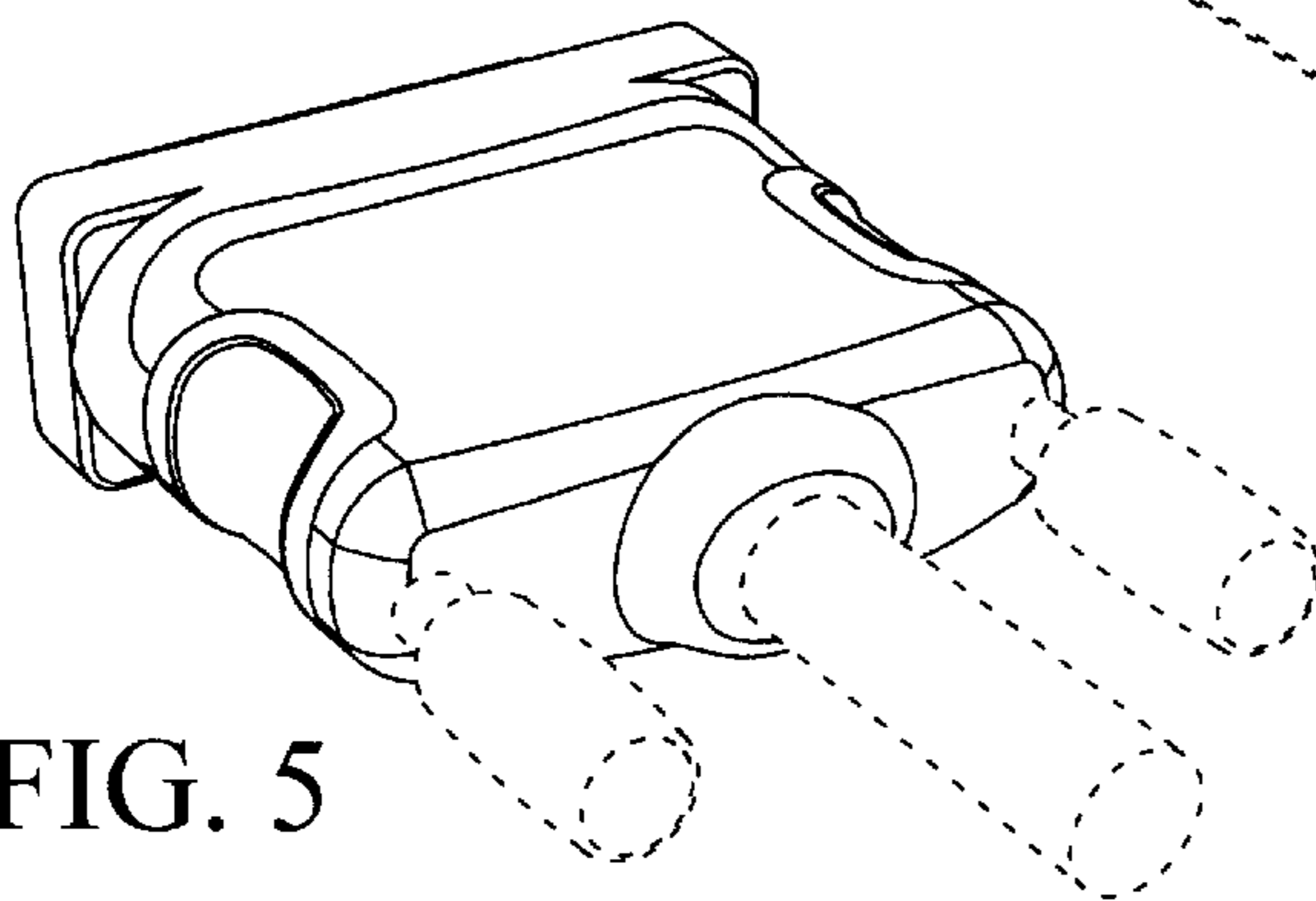


FIG. 5

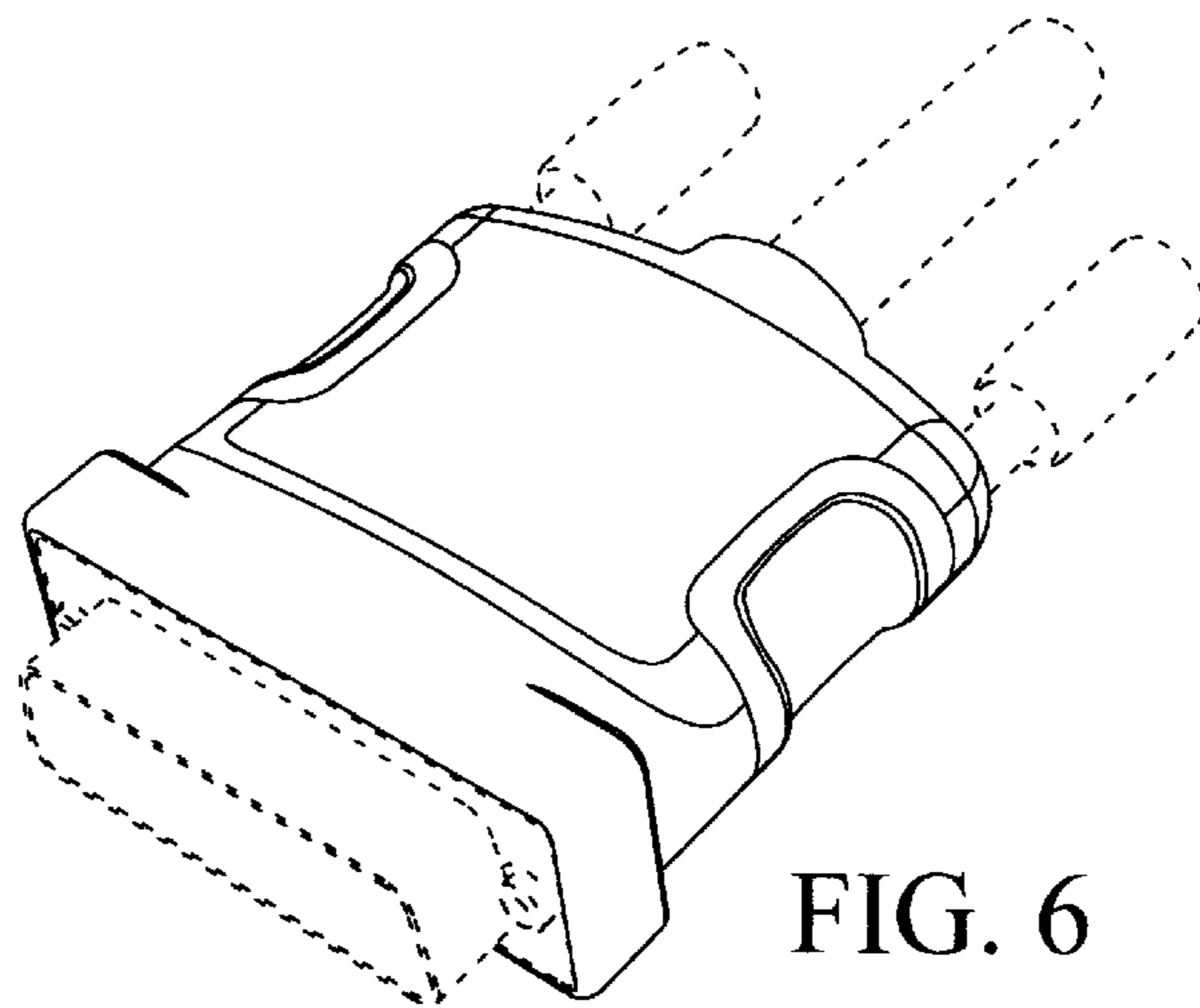


FIG. 6