



US00D543154S

(12) **United States Design Patent**  
**Suckle et al.**

(10) **Patent No.:** **US D543,154 S**

(45) **Date of Patent:** **\*\* May 22, 2007**

(54) **CABLE HEAD**

(75) Inventors: **Mitchell Suckle**, Long Beach, CA  
(US); **David Goetz**, Los Angeles, CA  
(US)

(73) Assignee: **Belkin International, Inc.**, Compton,  
CA (US)

(\*\*) Term: **14 Years**

(21) Appl. No.: **29/238,460**

(22) Filed: **Sep. 14, 2005**

(51) **LOC (8) Cl.** ..... **13-03**

(52) **U.S. Cl.** ..... **D13/154**

(58) **Field of Classification Search** ..... D13/133,  
D13/146, 147, 154, 156, 184, 199; D14/433;  
439/447, 483, 606-610, 668, 669, 675, 676,  
439/680, 687, 750

See application file for complete search history.

(56) **References Cited**

**U.S. PATENT DOCUMENTS**

D371,762 S	*	7/1996	Lee	.....	D13/133
D400,171 S	*	10/1998	Nimpoeno et al.	.....	D13/133
D434,009 S	*	11/2000	Lee	.....	D13/154
D444,772 S	*	7/2001	Milan	.....	D13/154
D453,322 S	*	2/2002	Lee	.....	D13/154

D465,205 S	*	11/2002	Orpilla et al.	.....	D13/154
D473,194 S	*	4/2003	Lee	.....	D13/154
D505,390 S	*	5/2005	Lee et al.	.....	D13/133
D506,184 S	*	6/2005	Sirichai et al.	.....	D13/154
D516,032 S	*	2/2006	Suckle et al.	.....	D13/147
D519,464 S	*	4/2006	Suckle et al.	.....	D13/156

\* cited by examiner

*Primary Examiner*—Alan P. Douglas

*Assistant Examiner*—Rosemary K. Tarcza

(74) *Attorney, Agent, or Firm*—Bryan Cave LLP

(57) **CLAIM**

We claim the ornamental design for a cable head, as shown and described.

**DESCRIPTION**

FIG. 1 is a front view of the cable head;

FIG. 2 is a rear view thereof;

FIG. 3 is a top view thereof, the bottom view being a mirror image of the top view;

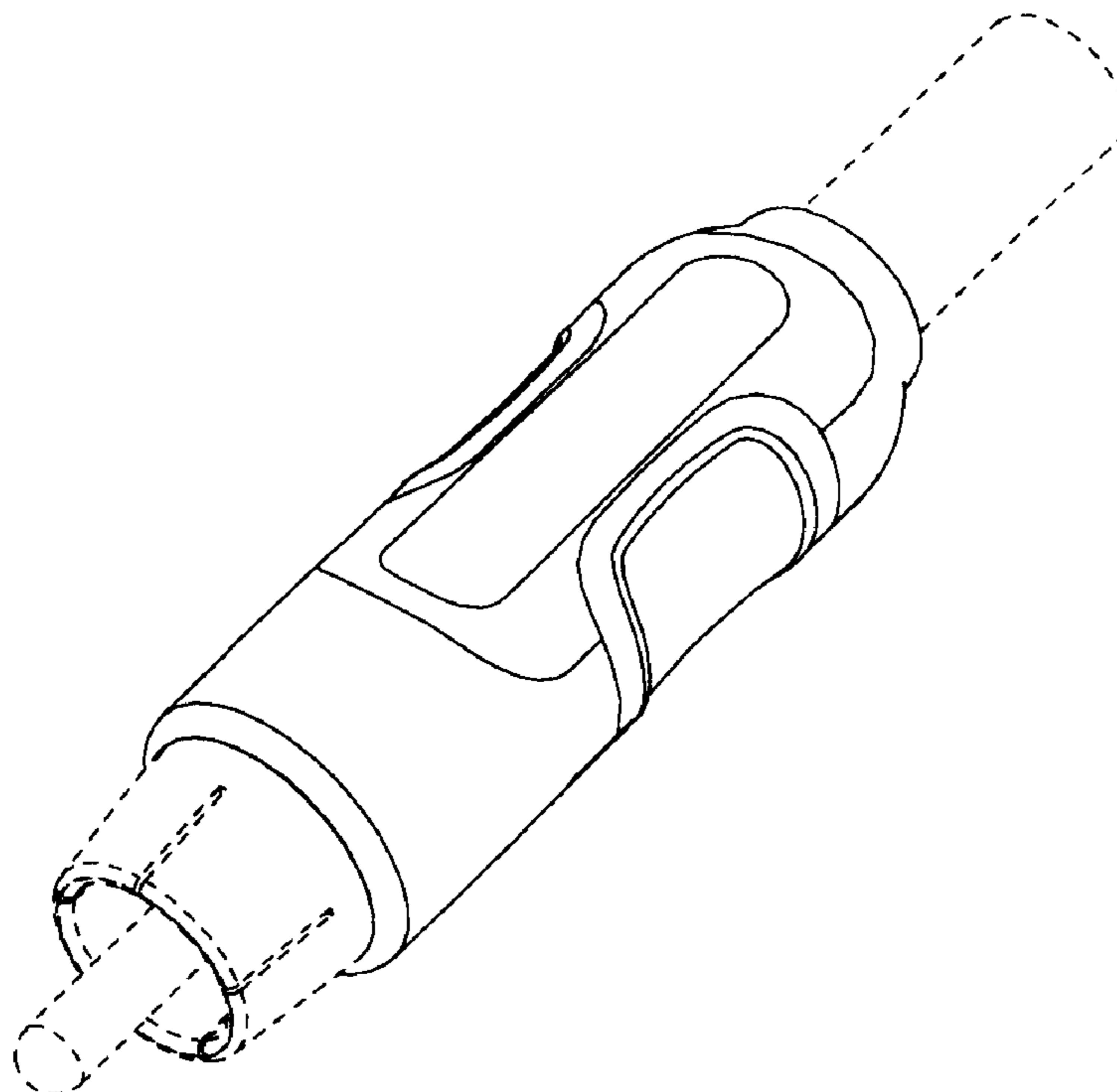
FIG. 4 is a left side elevational view thereof, the right side elevational view being a mirror image of the left side elevational view;

FIG. 5 is a rear, right, top perspective view thereof; and,

FIG. 6 is a front, right, top perspective view thereof.

The broken lines in the drawings are for illustrative purposes only and form no part of the claimed design.

**1 Claim, 1 Drawing Sheet**



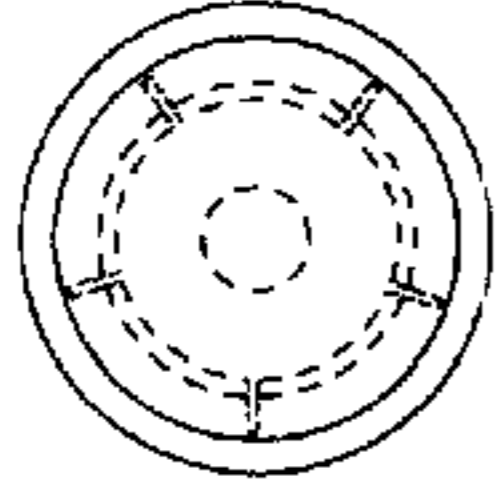


FIG. 1

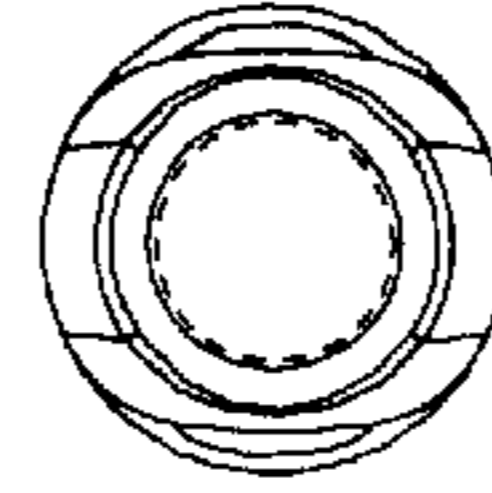


FIG. 2

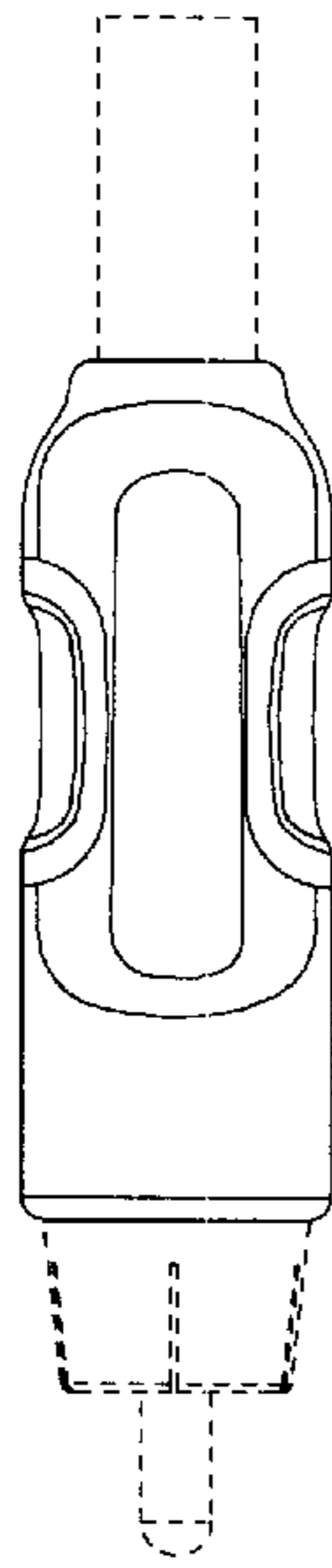


FIG. 3

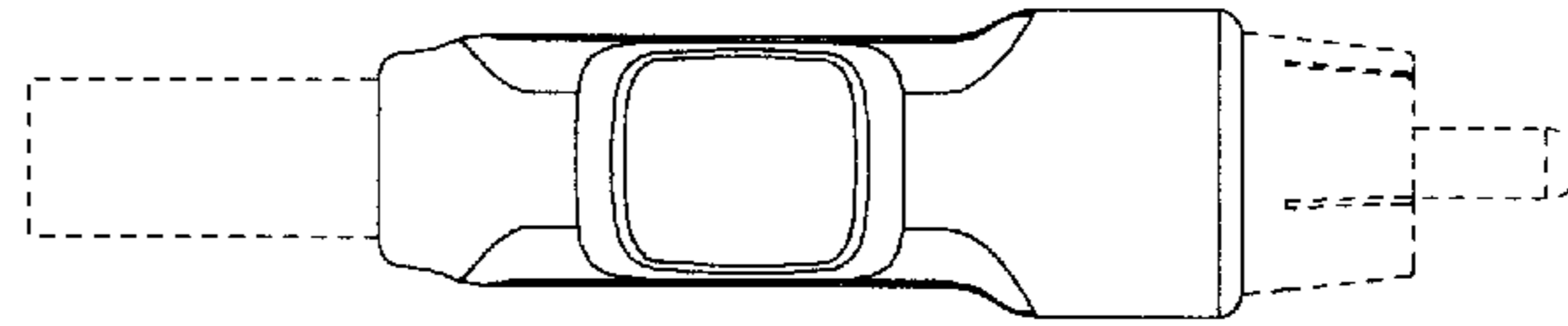


FIG. 4

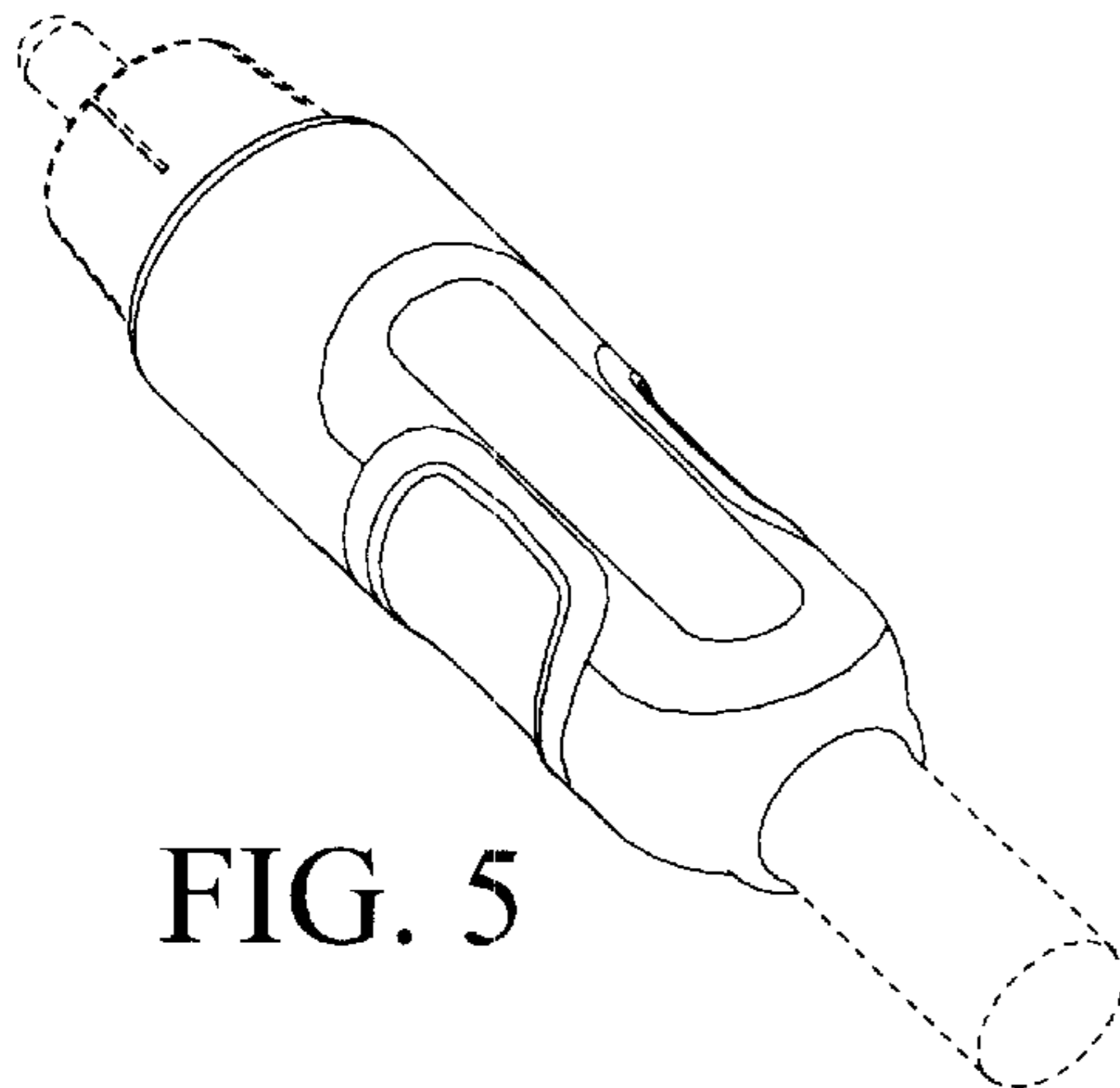


FIG. 5

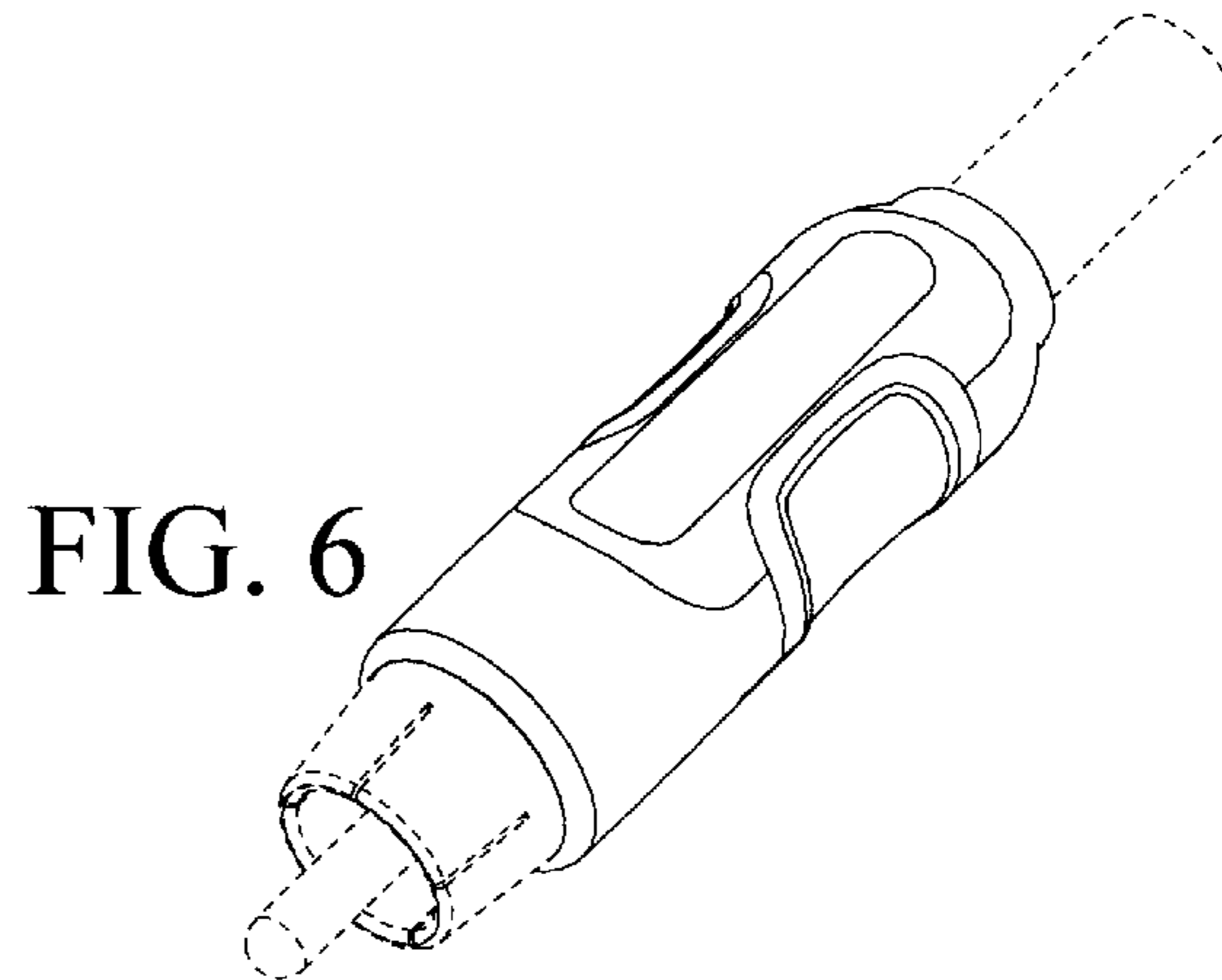


FIG. 6