



US00D543152S

(12) **United States Design Patent**
Sato et al.

(10) **Patent No.:** **US D543,152 S**

(45) **Date of Patent:** **** May 22, 2007**

(54) **ELECTRIC CONNECTOR**

(75) Inventors: **Kazuhiro Sato**, Santa Clara, CA (US);
Hirokazu Takahashi, Kawachi-gun
(JP); **Ryoji Kitamuki**, Moka (JP);
Takuya Higeta, Moka (JP)

(73) Assignee: **DDK Ltd.**, Tokyo (JP)

(**) Term: **14 Years**

(21) Appl. No.: **29/267,998**

(22) Filed: **Oct. 25, 2006**

(30) **Foreign Application Priority Data**

Jun. 6, 2006 (JP) 2006-014548

(51) **LOC (8) Cl.** **13-03**

(52) **U.S. Cl.** **D13/147**

(58) **Field of Classification Search** D13/133,
D13/146-147, 149, 154, 184; D14/432-436,
D14/438; 439/64, 79, 260, 325, 329, 395,
439/492, 495, 607-610, 629-631
See application file for complete search history.

(56) **References Cited**

U.S. PATENT DOCUMENTS

5,314,357 A * 5/1994 Weidler 439/701
D467,547 S * 12/2002 Jones et al. D13/147
D469,407 S * 1/2003 Wu D13/147
6,712,632 B2 * 3/2004 Wu 439/328

D498,210 S * 11/2004 Zhang D13/147
6,832,934 B1 * 12/2004 Zhang 439/660
2003/0224646 A1 * 12/2003 Wu 439/328

* cited by examiner

Primary Examiner—Daniel Bui

(74) *Attorney, Agent, or Firm*—Sughrue Mion, PLLC;
Pavel Pogodin, Esq.

(57) **CLAIM**

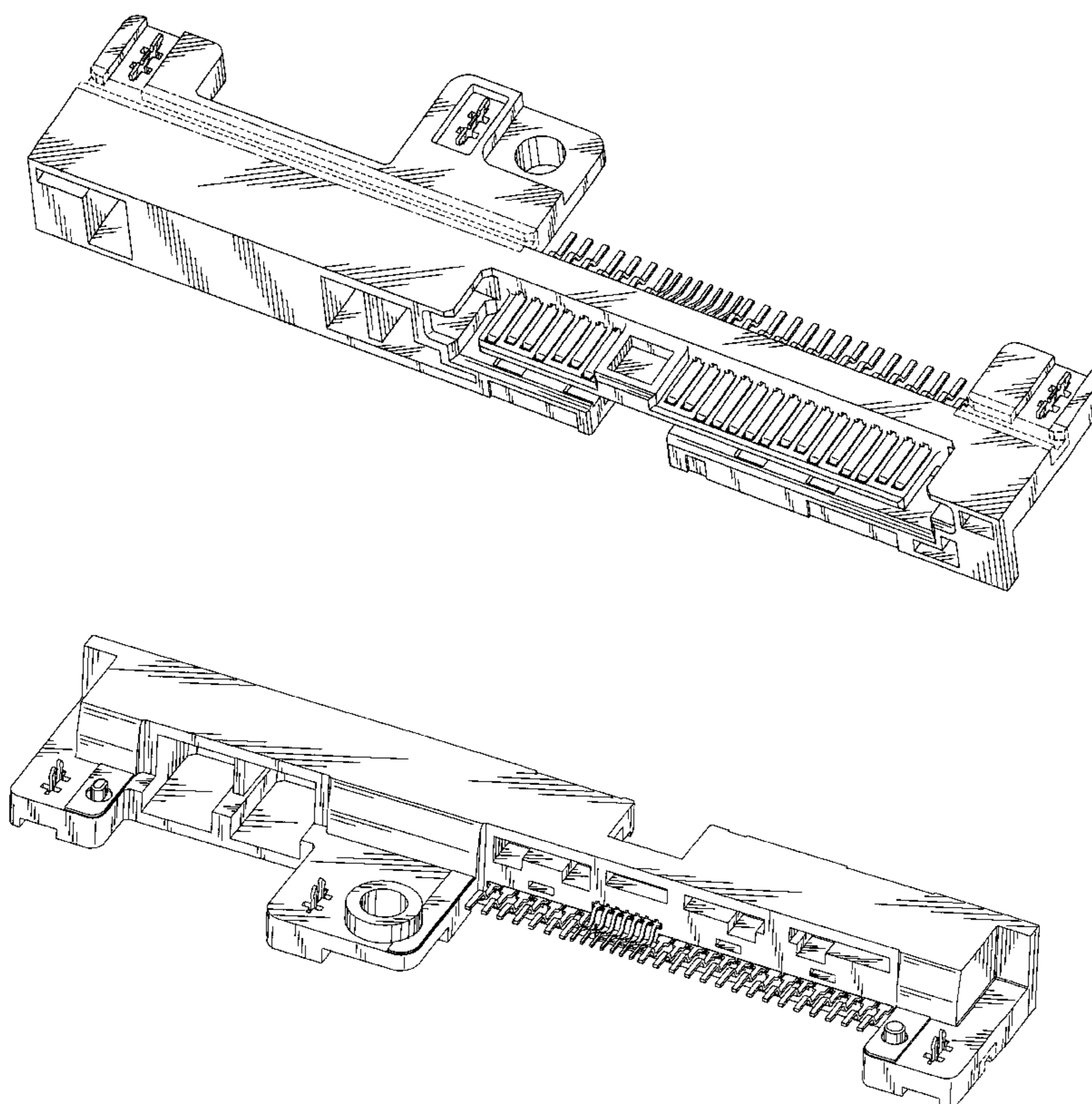
The ornamental design for an electric connector, as shown and described.

DESCRIPTION

FIG. 1 is a first perspective view of an electric connector, showing our new design;
FIG. 2 is a second perspective view thereof;
FIG. 3 is a third perspective view thereof;
FIG. 4 is a fourth perspective view thereof;
FIG. 5 is a front elevation view thereof;
FIG. 6 is a rear elevation view thereof;
FIG. 7 is a left side elevation view thereof;
FIG. 8 is a right side elevation view thereof;
FIG. 9 is a top plan view thereof; and,
FIG. 10 is a bottom plan view thereof.

The broken lines shown in the views are for illustrative purpose only and form no part of claimed design. The lines consisting of long lines and dots indicate conceptual border lines between the claimed portions and the disclaimed portion.

1 Claim, 8 Drawing Sheets



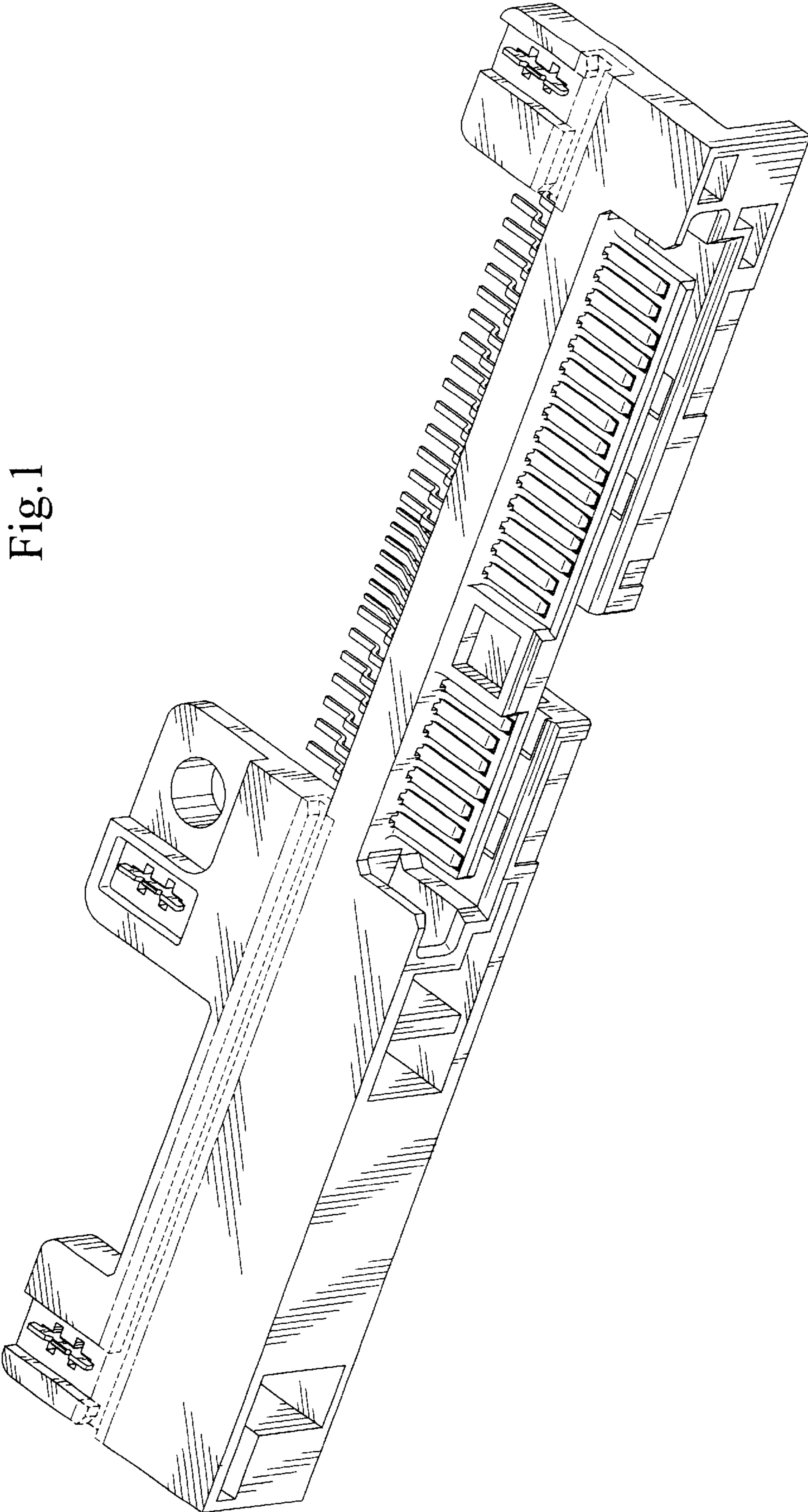


Fig. 1

Fig.2

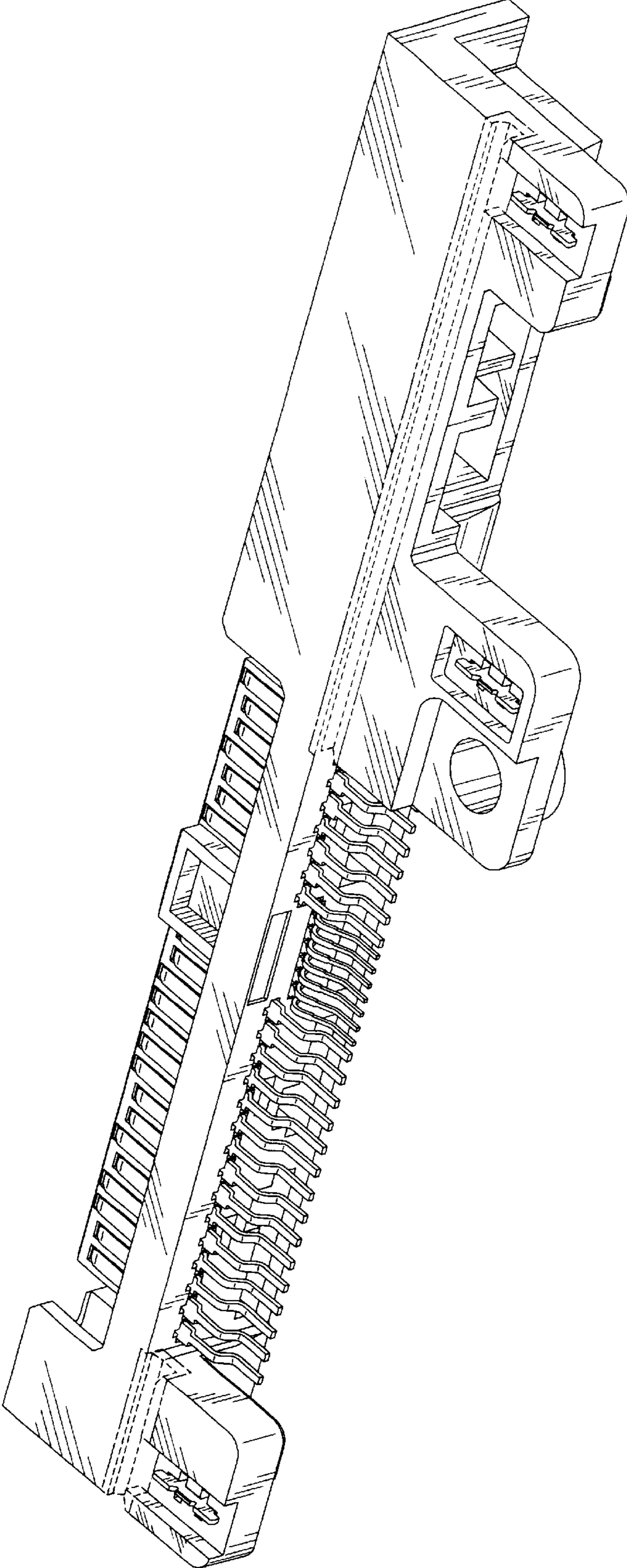


Fig.3

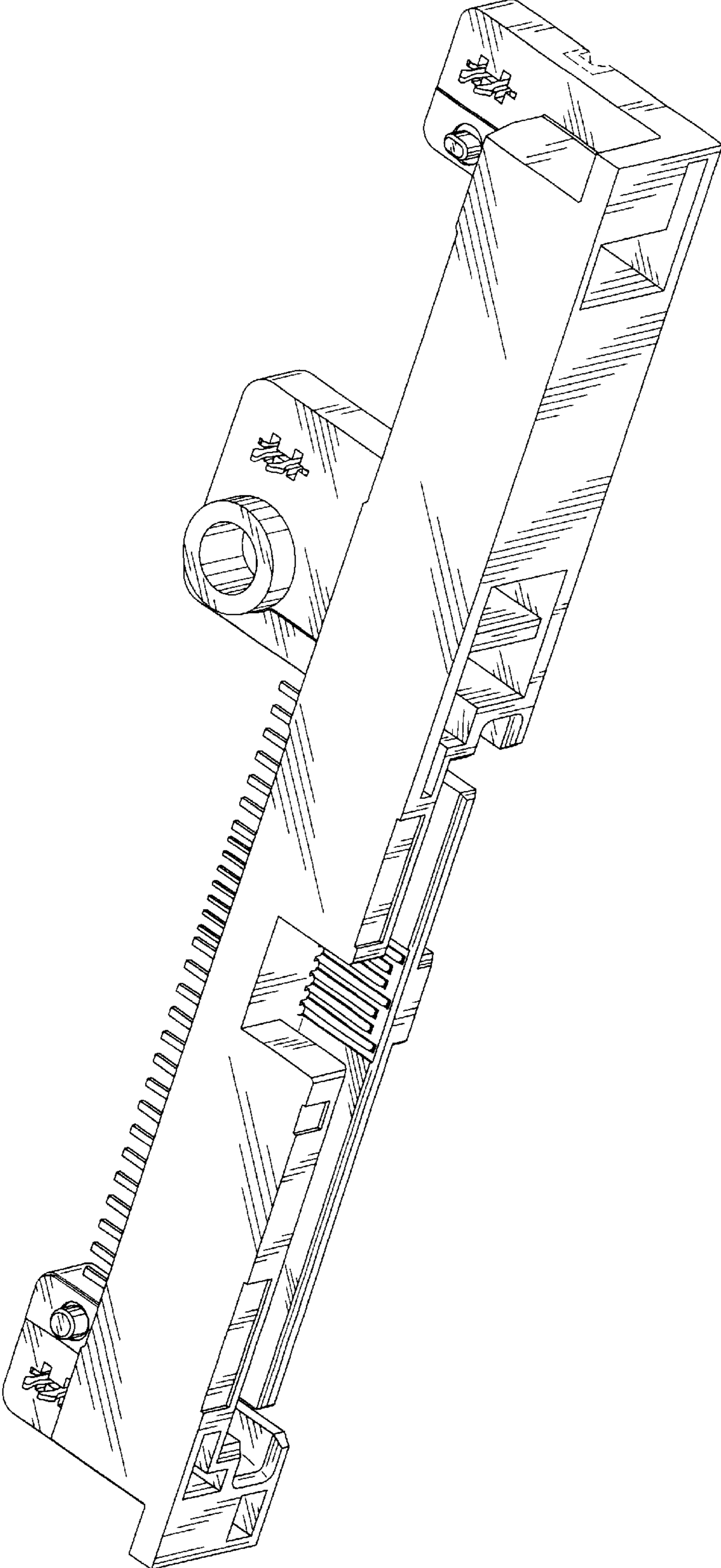


Fig.4

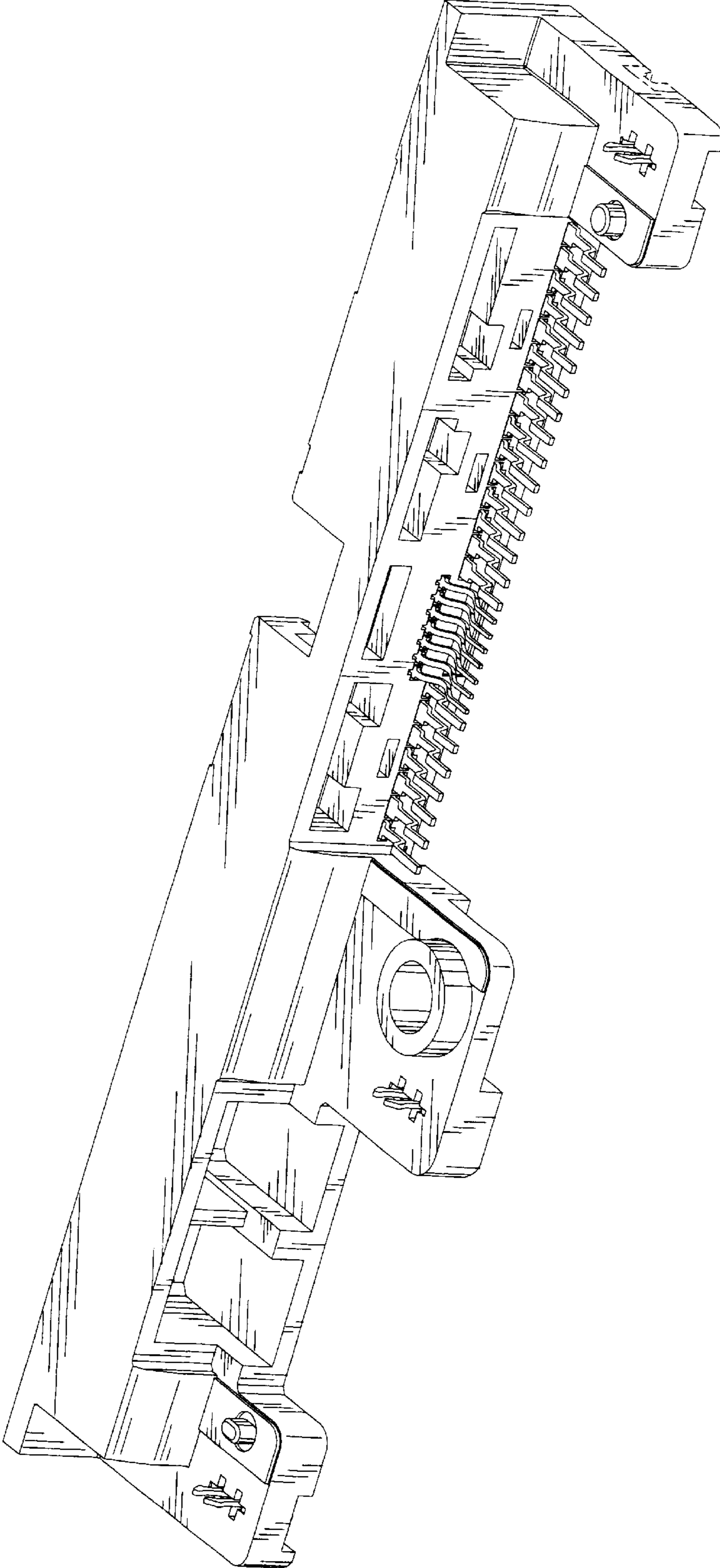


Fig.5

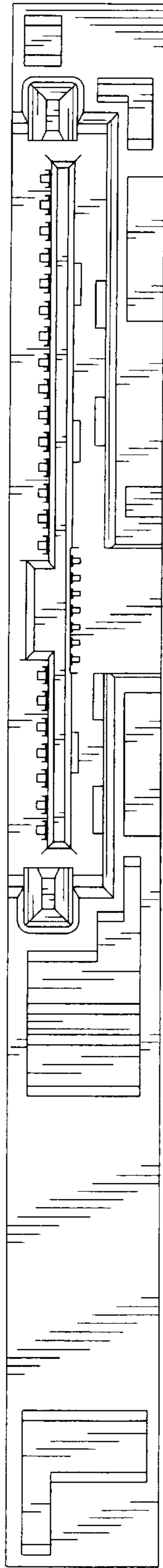
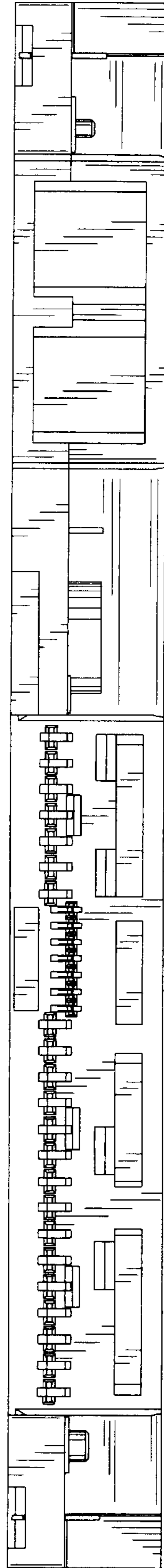


Fig.6



Replacement Sheet

Fig.7

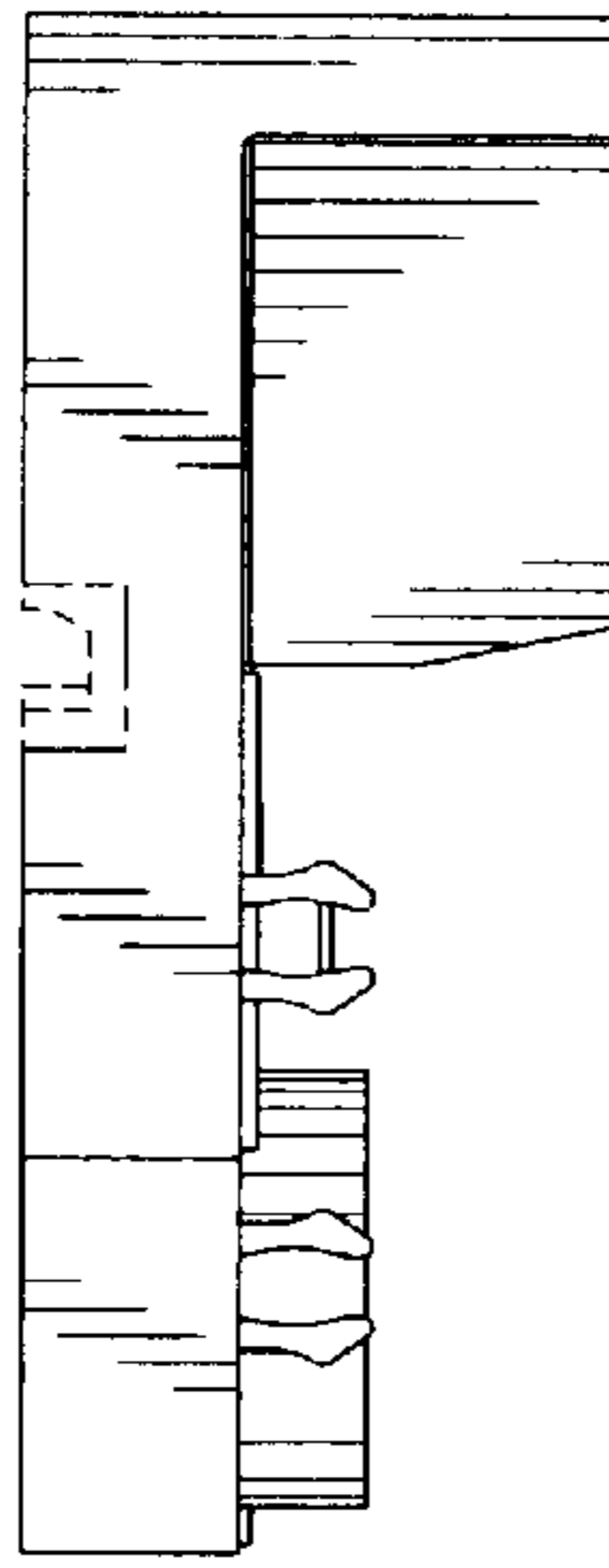


Fig.8

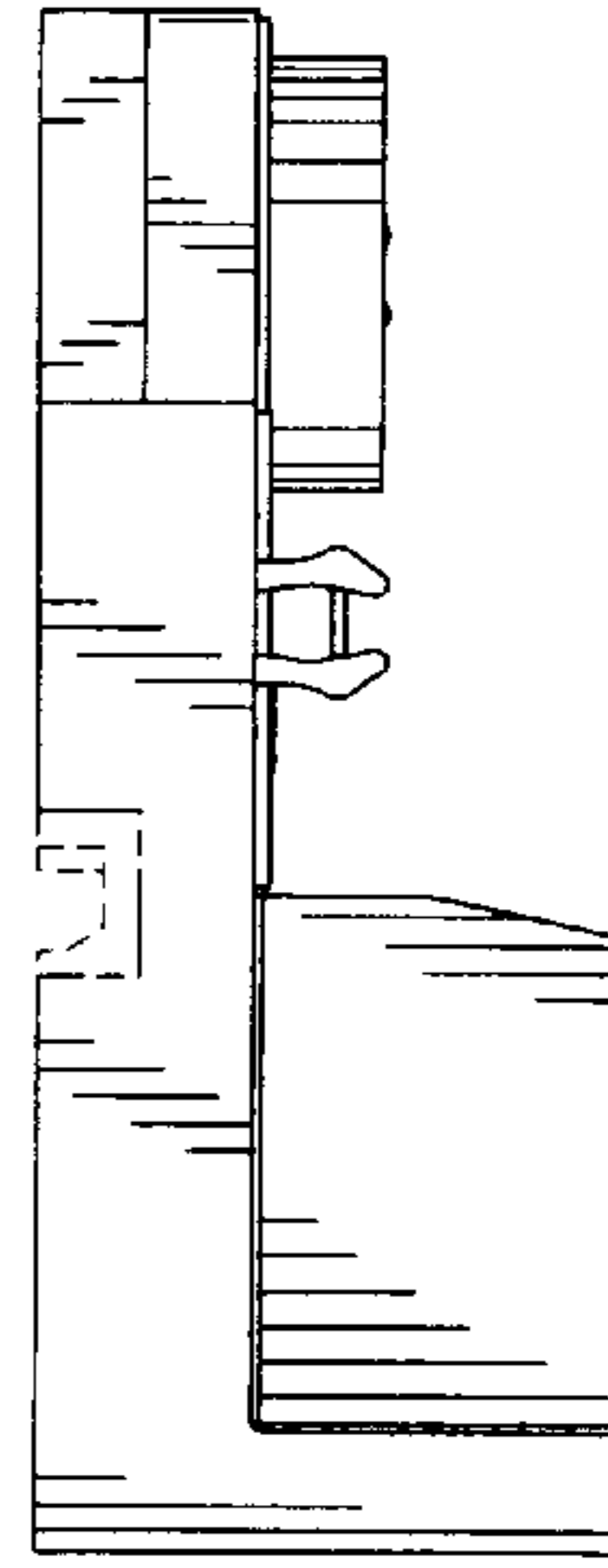


Fig.9

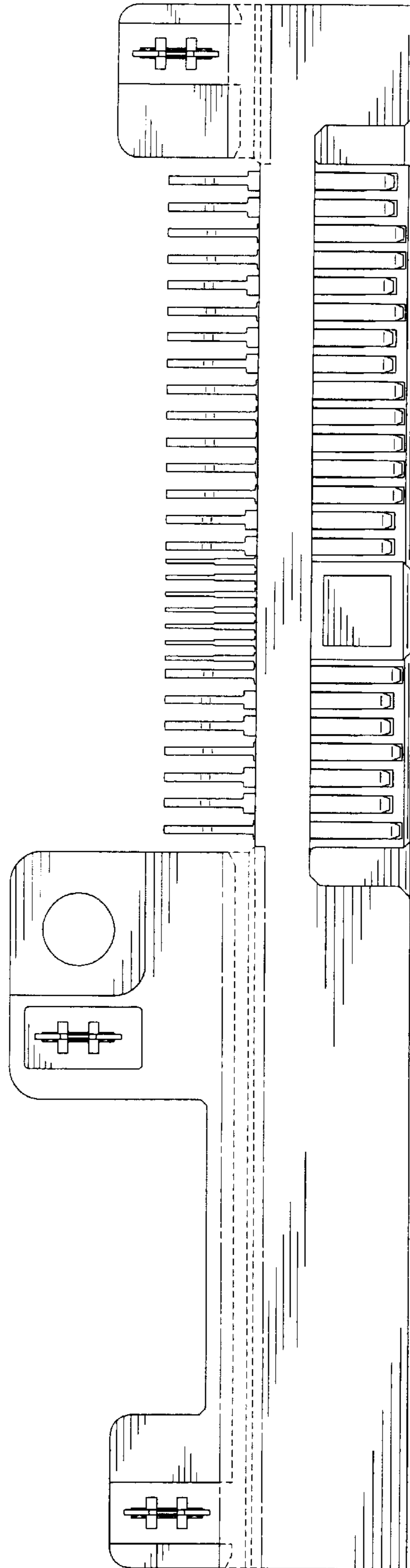


Fig. 10

