



US00D543149S

(12) **United States Design Patent**  
**Huang et al.**

(10) **Patent No.:** **US D543,149 S**

(45) **Date of Patent:** **\*\* May 22, 2007**

(54) **POWER PLUG CONNECTOR**

(75) Inventors: **Mao-Jung Huang**, Tucheng (TW);  
**Ping-Chih Chen**, Tucheng (TW);  
**Te-Hung Yin**, Tucheng (TW)

(73) Assignee: **Cheng Uei Precision Industry Co., Ltd.**, Taipei (TW)

(\*\*) Term: **14 Years**

(21) Appl. No.: **29/245,028**

(22) Filed: **Dec. 19, 2005**

(51) **LOC (8) Cl.** ..... **13-03**

(52) **U.S. Cl.** ..... **D13/147**

(58) **Field of Classification Search** ..... D13/133,  
D13/146-147, 154, 184, 199; 439/108, 266,  
439/151-152, 353, 358, 374, 594, 476.1,  
439/597, 600, 606-610, 660, 677, 680  
See application file for complete search history.

(56) **References Cited**

**U.S. PATENT DOCUMENTS**

D306,011 S	*	2/1990	Komatsu	.....	D13/147
D316,703 S	*	5/1991	Eto et al.	.....	D13/147
5,876,248 A	*	3/1999	Brunker et al.	.....	439/608

D410,629 S	*	6/1999	Bandura et al.	.....	D13/147
D415,733 S	*	10/1999	Wu	.....	D13/146
D427,568 S	*	7/2000	Ko et al.	.....	D13/147
D456,358 S	*	4/2002	Niklander et al.	.....	D13/146
D494,141 S	*	8/2004	Spink, Jr.	.....	D13/147
6,860,765 B1	*	3/2005	Spink, Jr.	.....	439/680
D516,035 S	*	2/2006	Huang	.....	D13/147
D524,751 S	*	7/2006	Lee et al.	.....	D13/147

\* cited by examiner

*Primary Examiner*—Daniel Bui

(74) *Attorney, Agent, or Firm*—Rosenberg, Klein & Lee

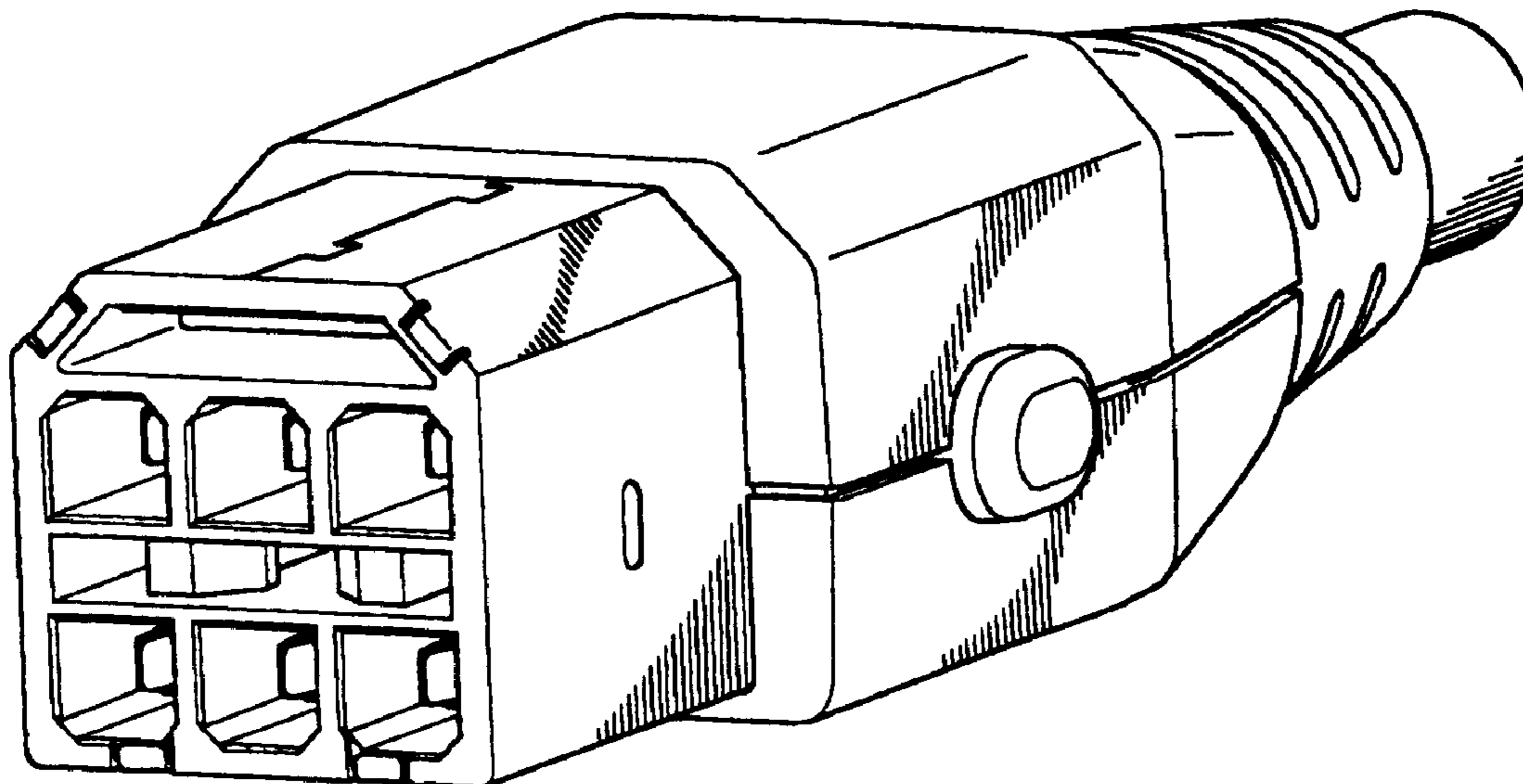
(57) **CLAIM**

The ornamental design for a power plug connector, as shown and described.

**DESCRIPTION**

FIG. 1 is a perspective view of a power plug connector showing our new design;  
FIG. 2 is a front elevational view thereof;  
FIG. 3 is a rear elevational view thereof;  
FIG. 4 is a left side elevational view thereof;  
FIG. 5 is a right side elevational view thereof;  
FIG. 6 is a top plan view thereof; and,  
FIG. 7 is a bottom plan view thereof.

**1 Claim, 5 Drawing Sheets**



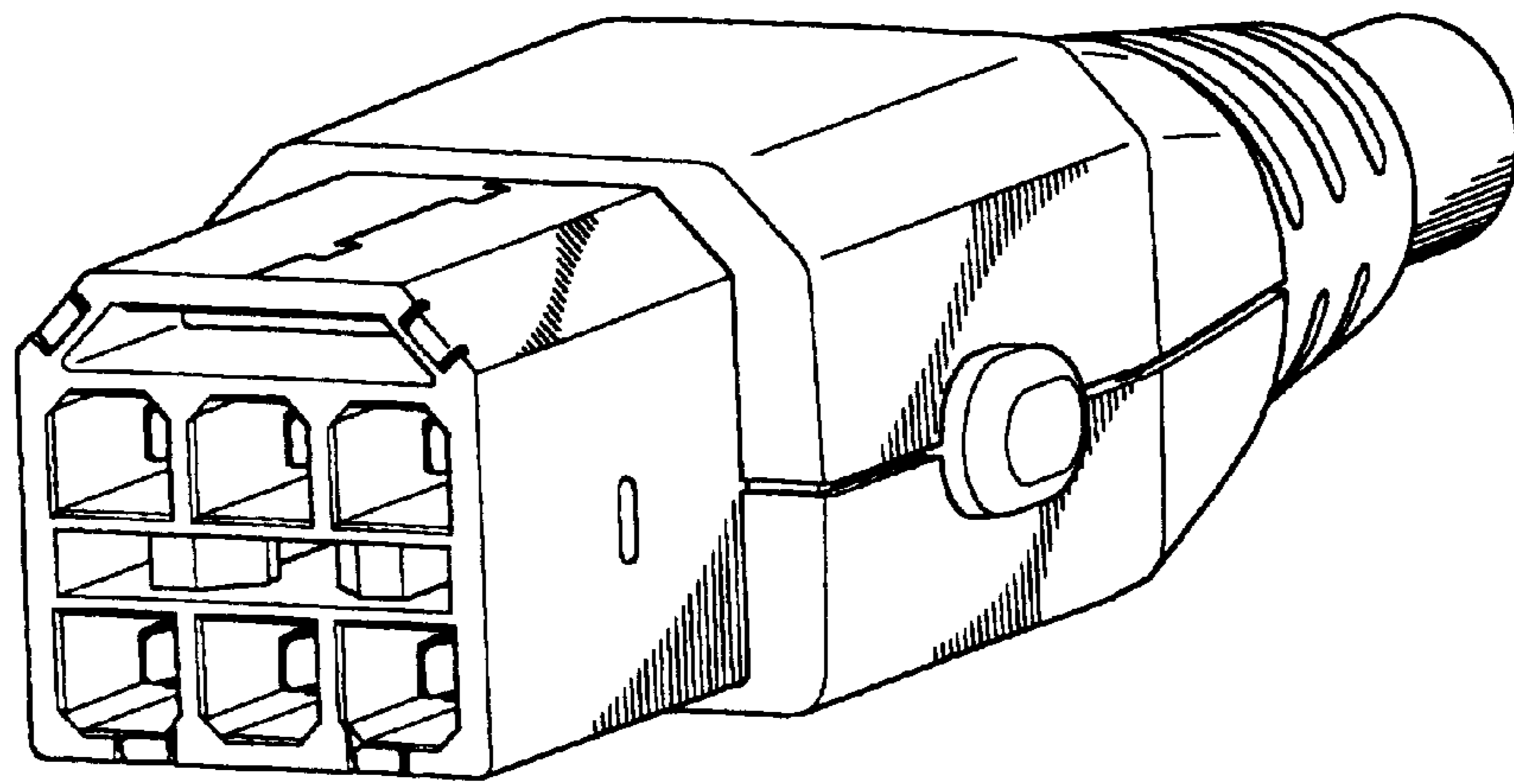


FIG. 1

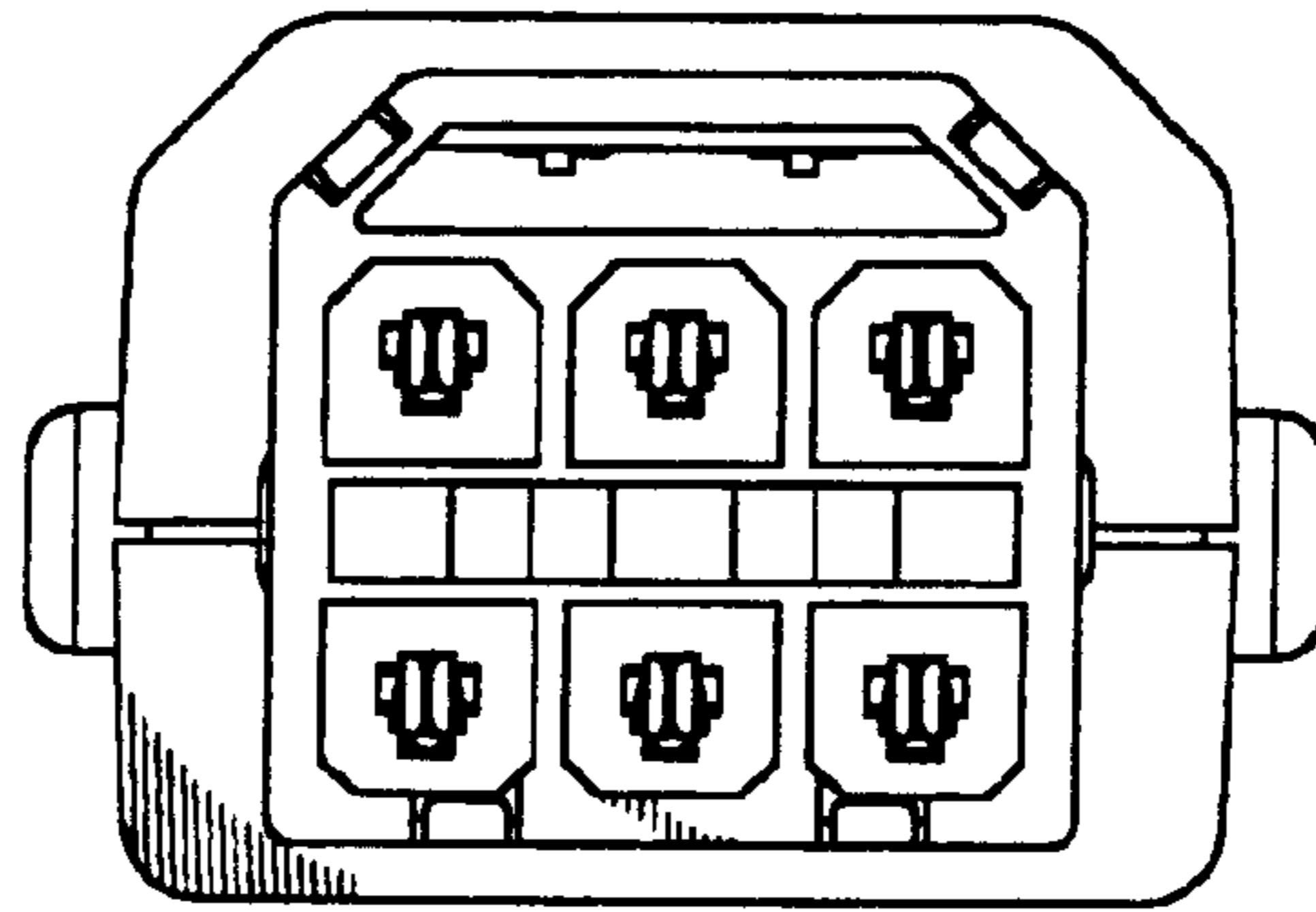


FIG. 2

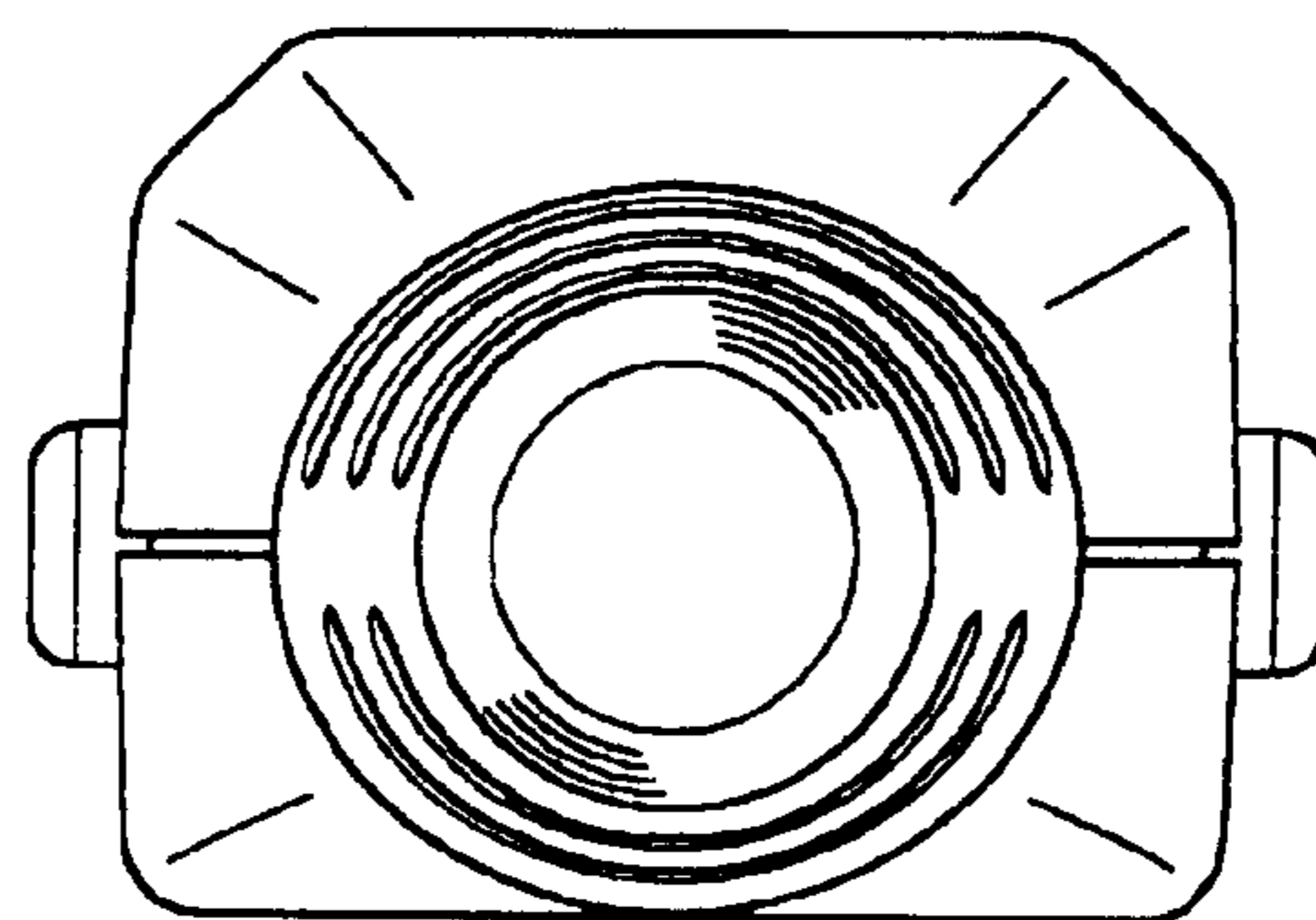


FIG. 3

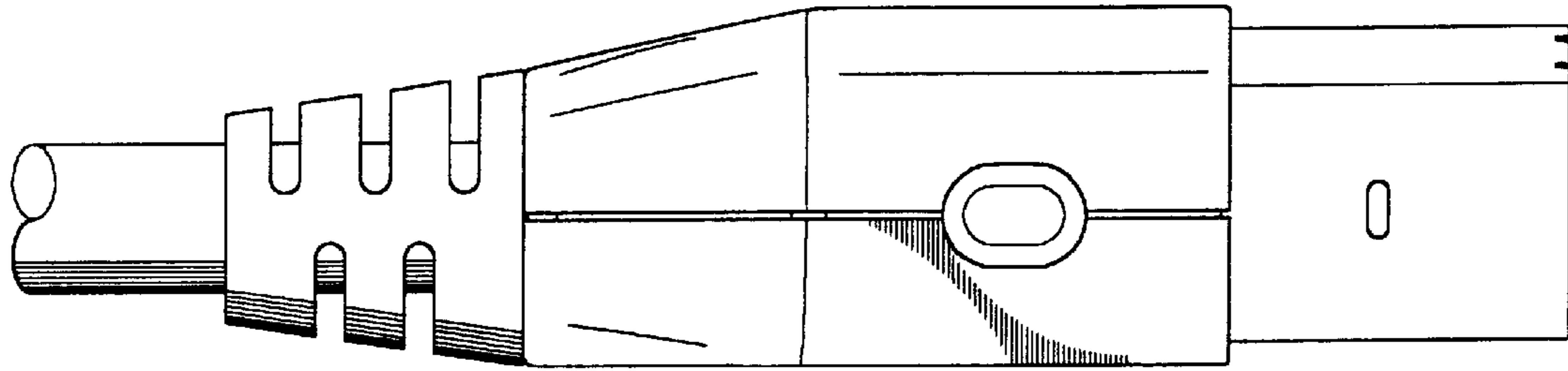


FIG. 4

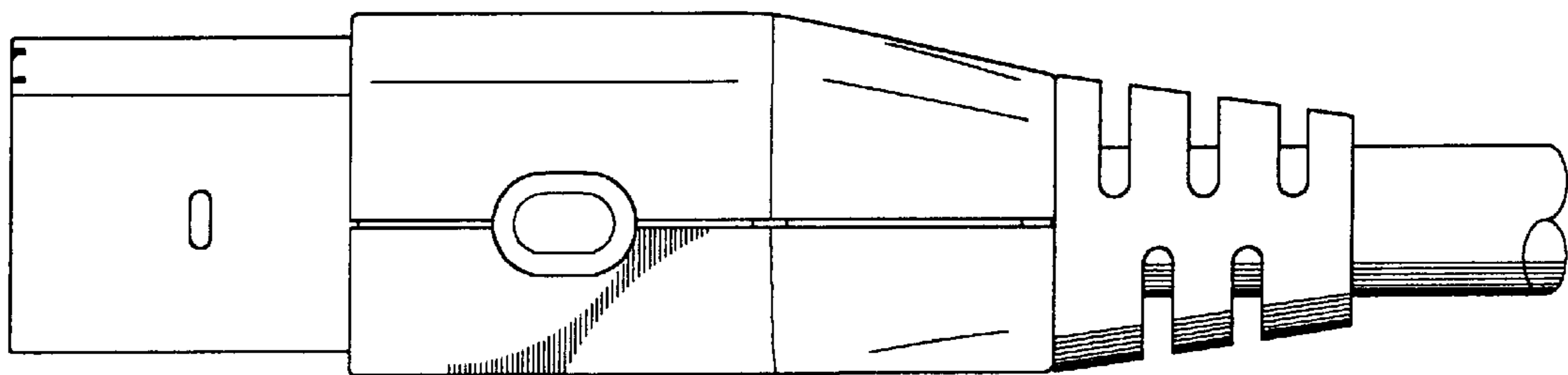


FIG. 5

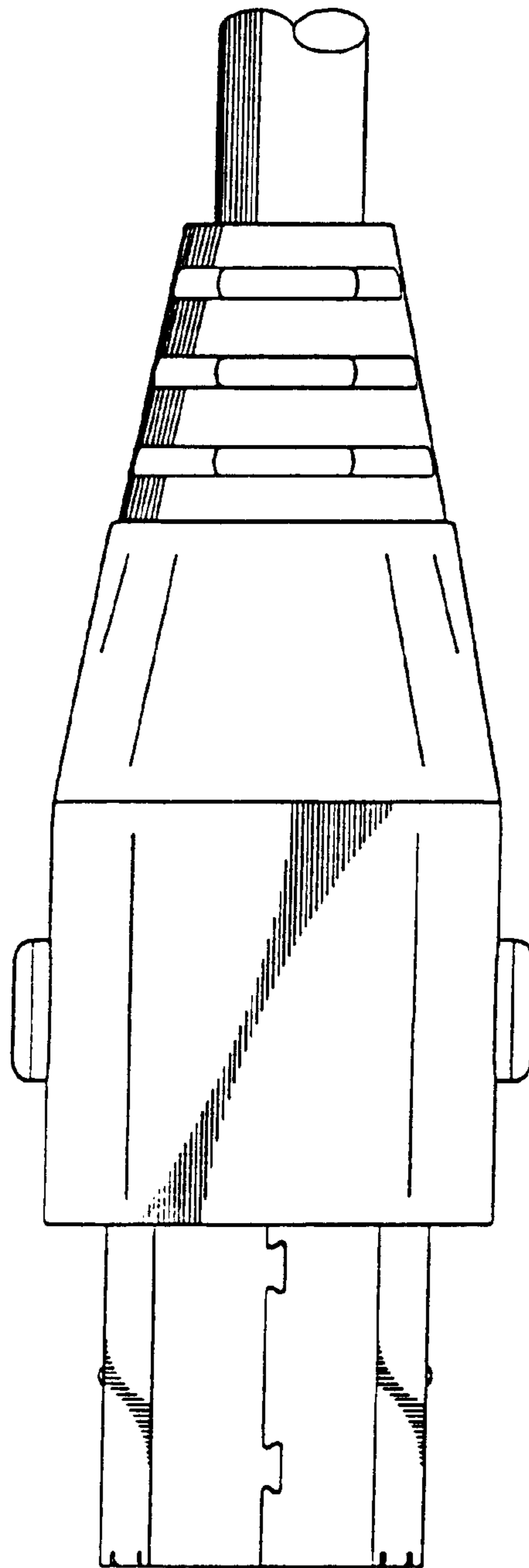


FIG. 6

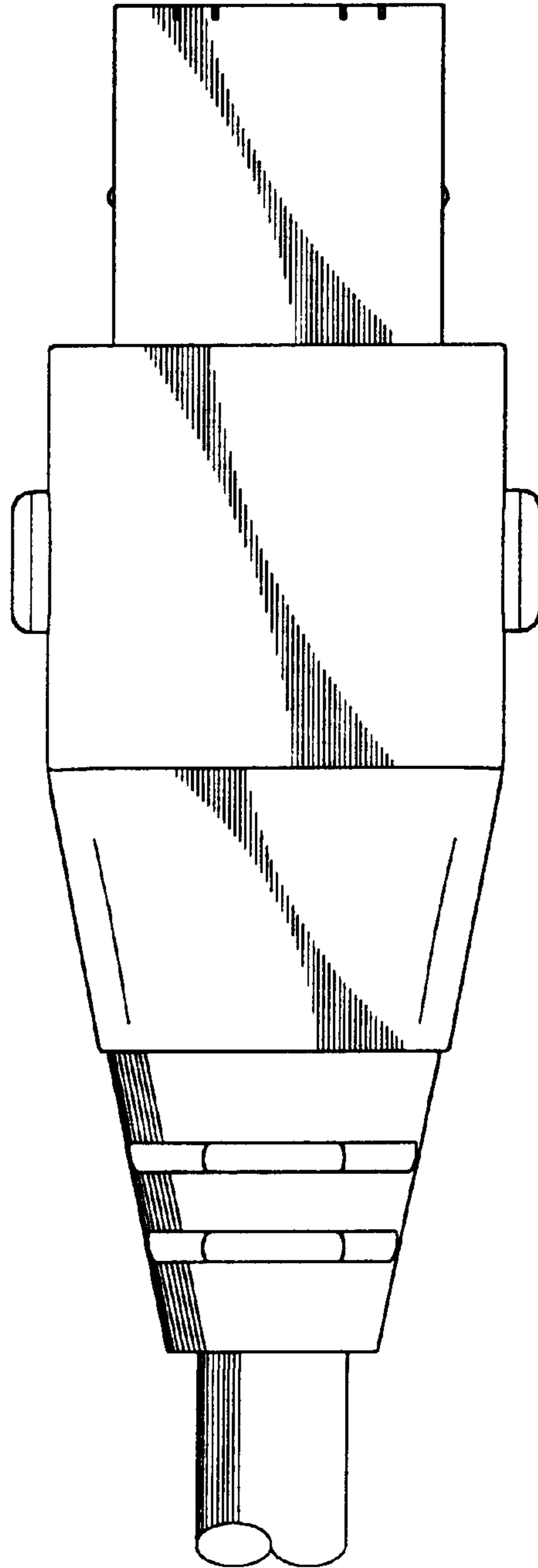


FIG. 7