

US00D543148S

(12) **United States Design Patent**
Suckle et al.

(10) **Patent No.:** **US D543,148 S**

(45) **Date of Patent:** **** May 22, 2007**

(54) **IEC CONNECTOR**

(75) Inventors: **Mitchell Suckle**, Long Beach, CA
(US); **Yotaro Tsuchiya**, Pasadena, CA
(US)

(73) Assignee: **Belkin International, Inc.**, Compton,
CA (US)

(**) Term: **14 Years**

(21) Appl. No.: **29/237,022**

(22) Filed: **Aug. 24, 2005**

(51) **LOC (8) Cl.** **13-03**

(52) **U.S. Cl.** **D13/146**

(58) **Field of Classification Search** D13/133,
D13/137.1, 137.2, 138.1, 138.2, 139.1, 146-147,
D13/154, 184, 199; 361/600-601; 439/92,
439/101, 106, 108, 606, 655, 660, 677, 680,
439/682, 685

See application file for complete search history.

(56) **References Cited**

U.S. PATENT DOCUMENTS

4,449,776	A	*	5/1984	Carmo et al.	439/350
D312,240	S	*	11/1990	Esslinger	D13/145
D355,163	S	*	2/1995	Dolson et al.	D13/146
D373,994	S	*	9/1996	Kammersgard et al.	...	D13/146
5,603,638	A	*	2/1997	Brown et al.	439/606

D399,822	S	*	10/1998	Starec et al.	D13/139.1
6,290,512	B1	*	9/2001	Mullen, Jr.	439/106
D466,867	S	*	12/2002	Krobusek	D13/137.4
D492,652	S	*	7/2004	McCoy	D13/147
D499,697	S	*	12/2004	Gilbert	D13/110
6,997,723	B2	*	2/2006	Lee	439/92
D519,464	S	*	4/2006	Suckle et al.	D13/156

* cited by examiner

Primary Examiner—Daniel Bui

(74) *Attorney, Agent, or Firm*—Bryan Cave LLP

(57) **CLAIM**

The ornamental design for an IEC connector, as shown and described.

DESCRIPTION

FIG. 1 is a front elevational view of an IEC connector, showing our new design;
FIG. 2 is a rear elevational view thereof;
FIG. 3 is a top view thereof;
FIG. 4 is a bottom view thereof;
FIG. 5 is a left side elevational view thereof;
FIG. 6 is a right side elevational view thereof;
FIG. 7 is a front, right, top perspective view thereof; and,
FIG. 8 is a rear, left, bottom perspective view thereof.

The broken lines in the drawings are for illustrative purposes only and form no part of the claimed design.

1 Claim, 2 Drawing Sheets

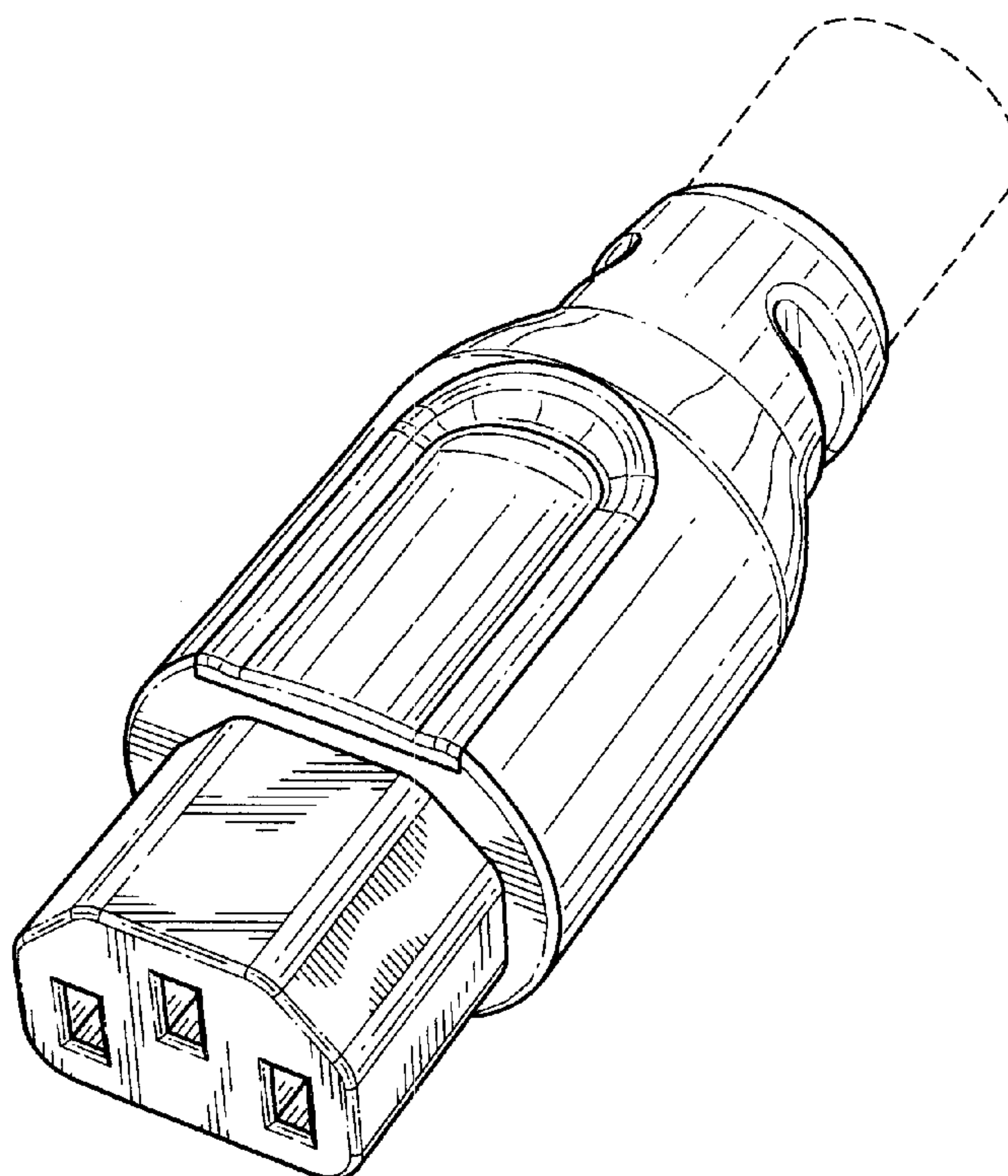


FIG.1

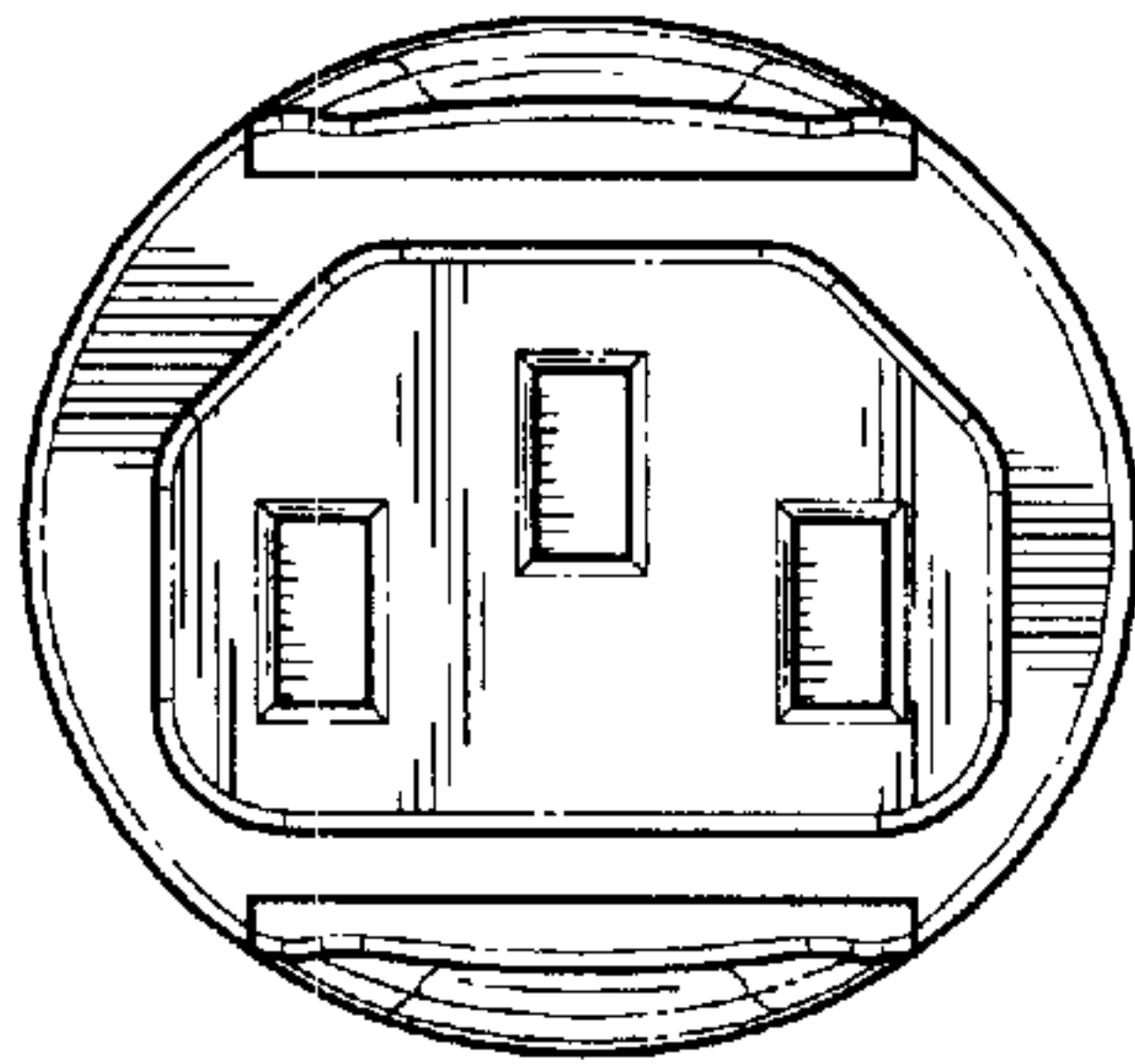


FIG.2

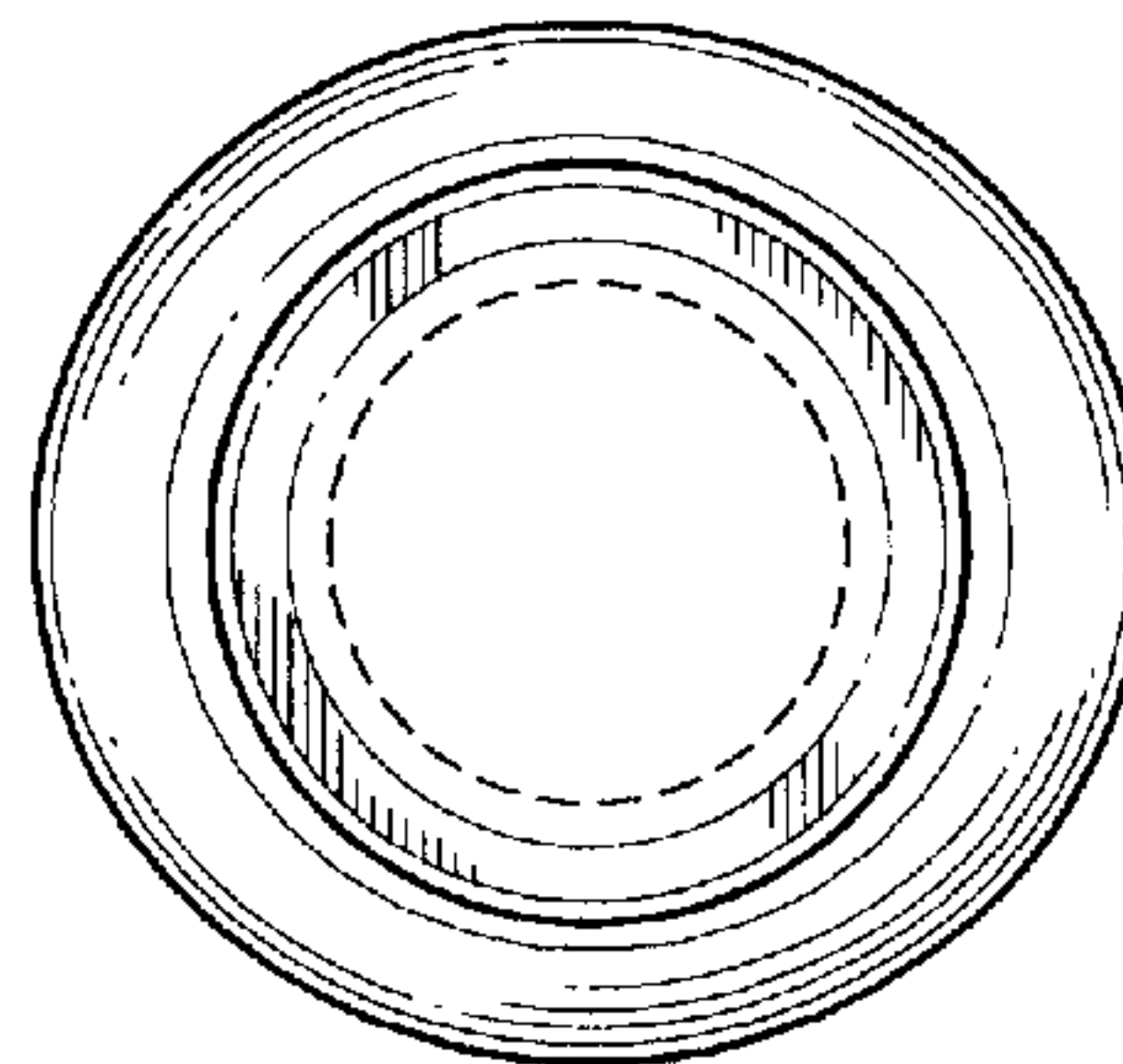


FIG.3

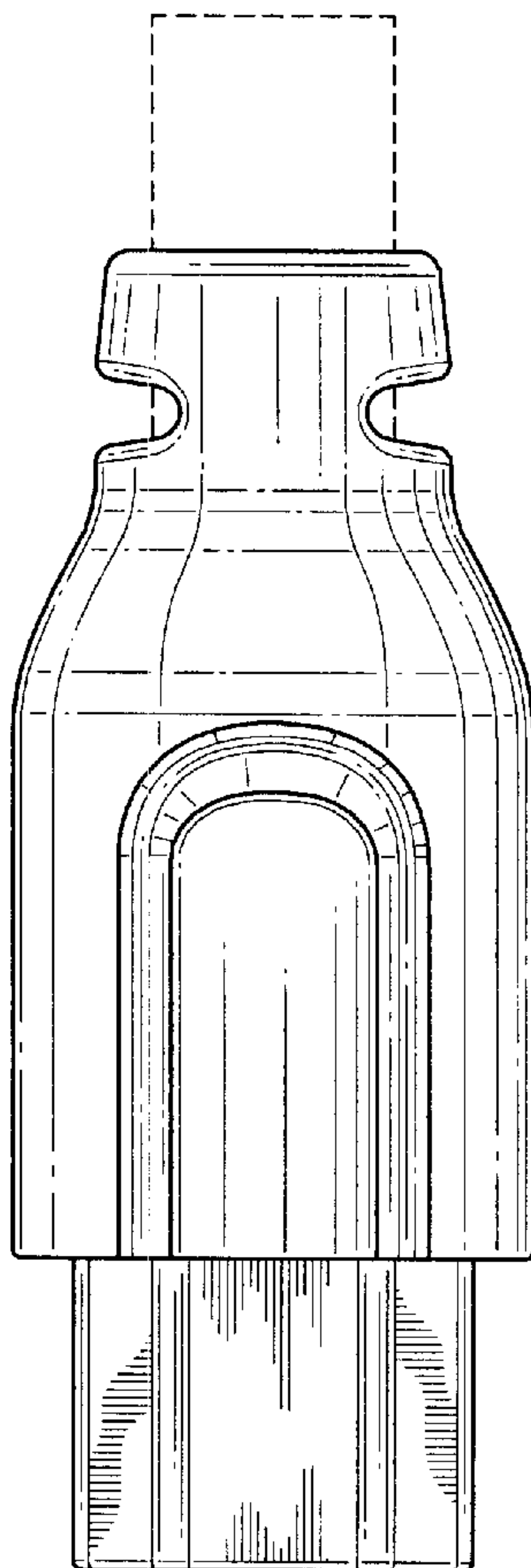


FIG.4

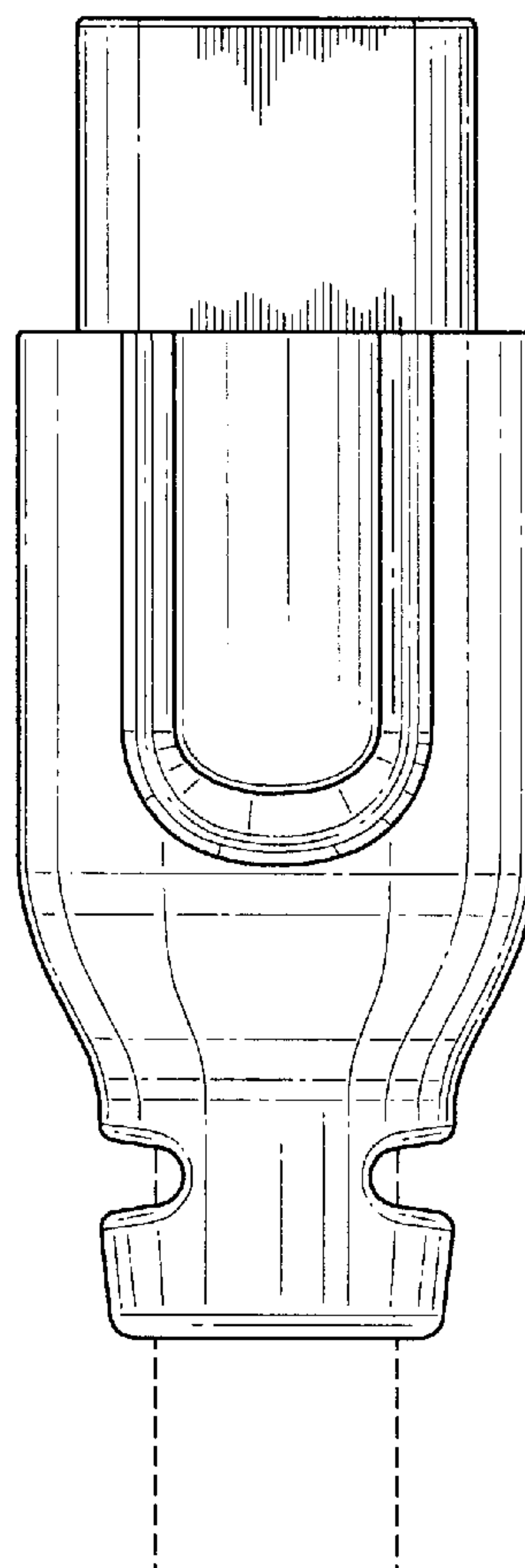


FIG.5

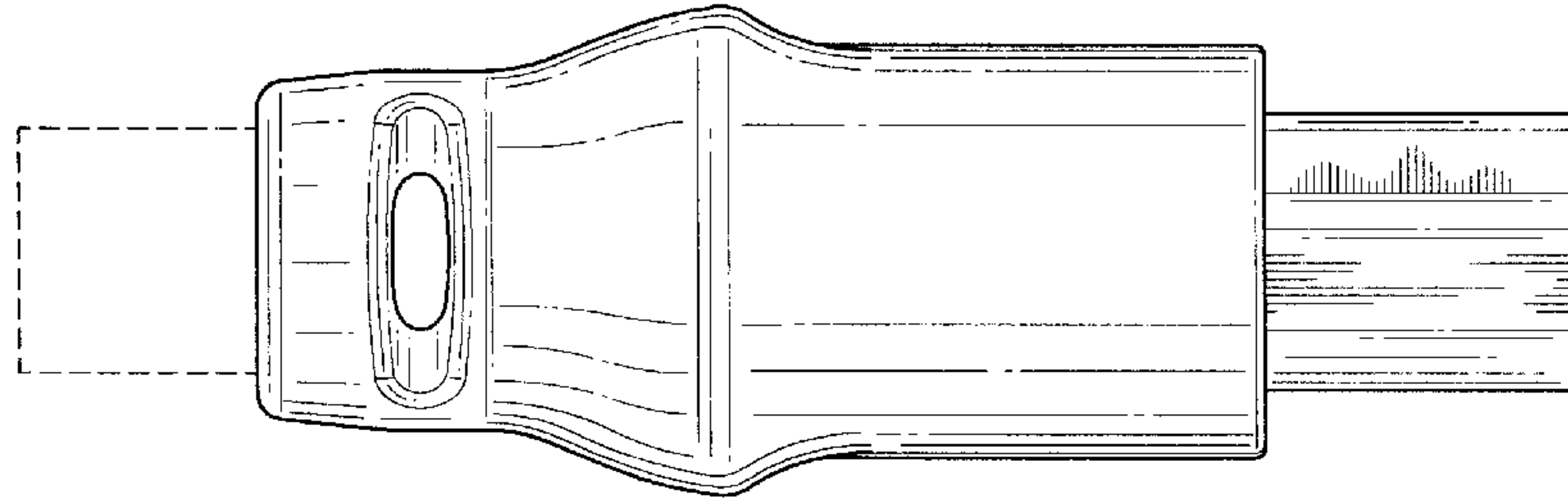


FIG.6

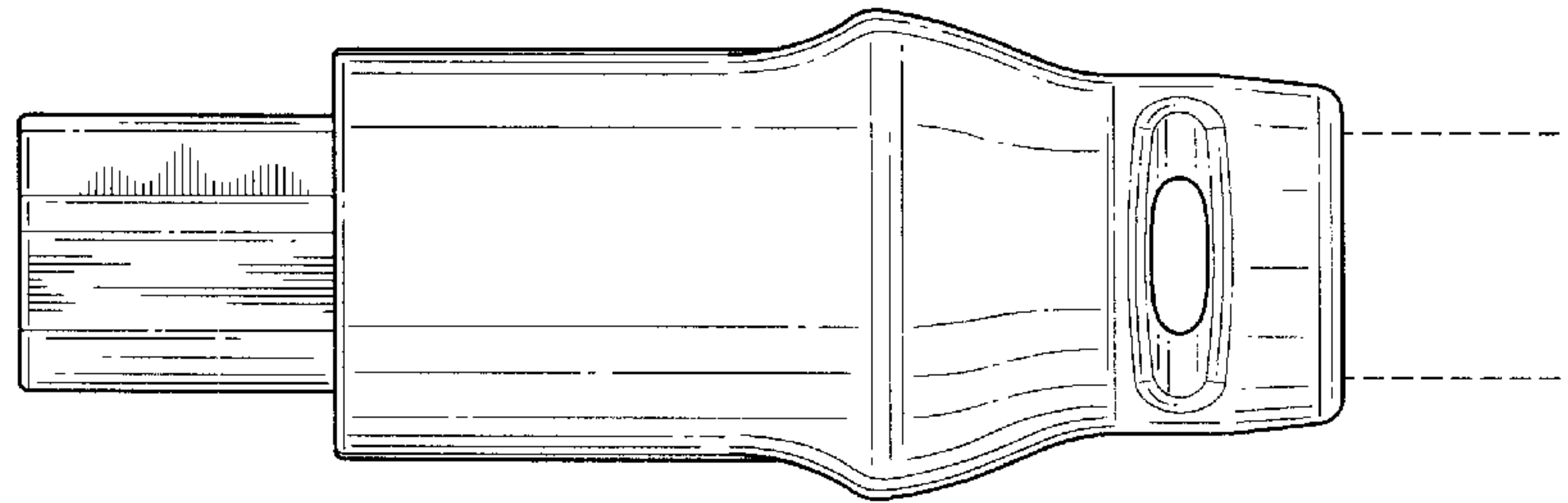


FIG.7

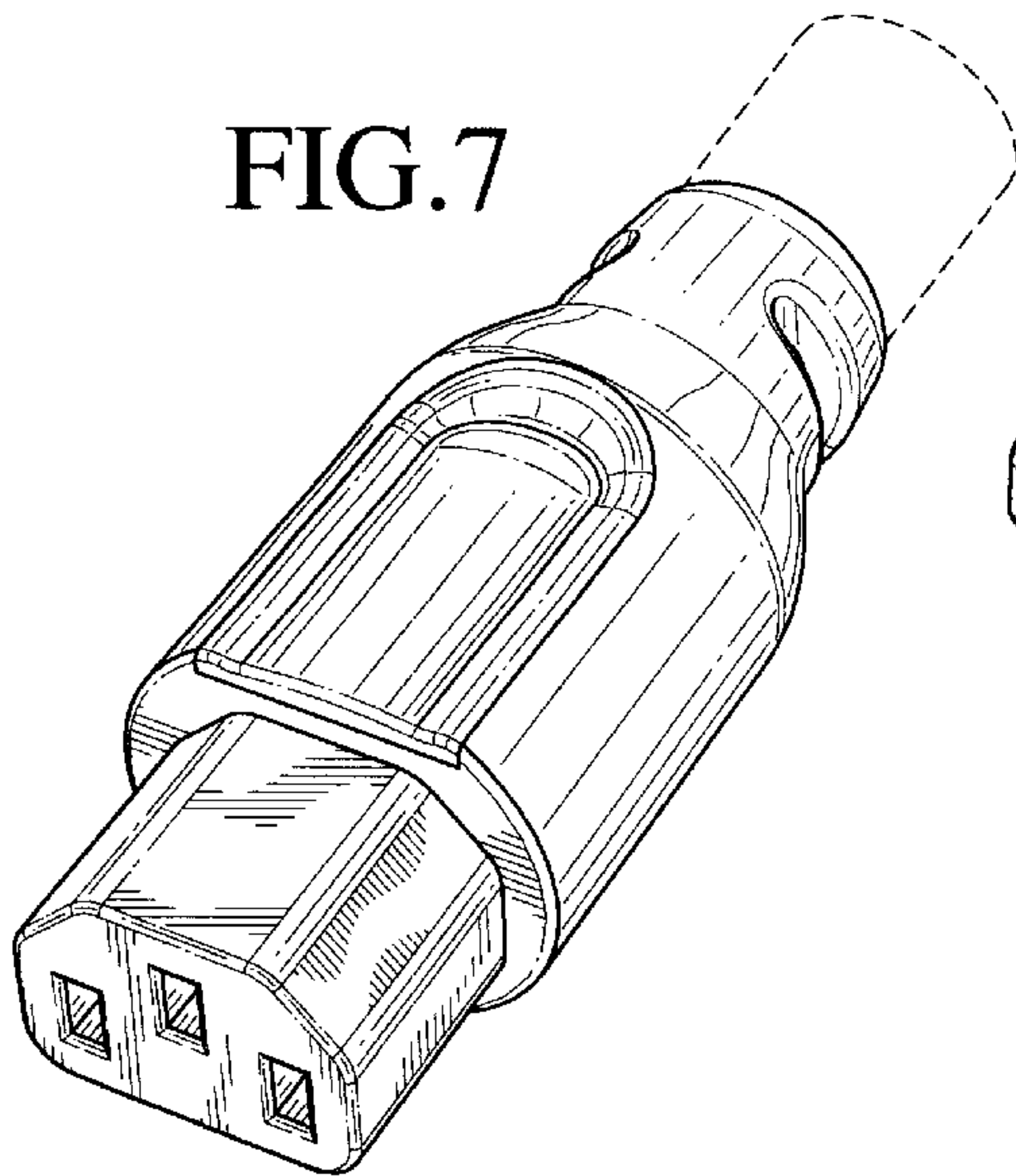


FIG.8

