

US00D543146S

(12) **United States Design Patent**
Chen et al.

(10) **Patent No.:** **US D543,146 S**

(45) **Date of Patent:** **** May 22, 2007**

(54) **RECEPTACLE CONNECTOR**

(75) Inventors: **Chung Yu Chen**, Tu-Cheng (TW); **Yun Chien Li**, Tu-Cheng (TW)

(73) Assignee: **Cheng Uei Precision Industry Co., Ltd.**, Taipei Hsien (TW)

(**) Term: **14 Years**

(21) Appl. No.: **29/256,729**

(22) Filed: **Mar. 24, 2006**

(51) **LOC (8) Cl.** **13-03**

(52) **U.S. Cl.** **D13/133**

(58) **Field of Classification Search** D13/133,
D13/146, 154, 184, 199; 381/384, 394; 439/79,
439/188, 278, 607, 668, 894
See application file for complete search history.

(56) **References Cited**

U.S. PATENT DOCUMENTS

- 4,946,400 A * 8/1990 Kawai et al. 439/79
- 5,797,769 A * 8/1998 Yang et al. 439/571
- D431,528 S * 10/2000 Zhu et al. D13/133
- D435,015 S * 12/2000 Wang D13/133
- 6,231,396 B1 * 5/2001 Huang 439/668

- 6,280,245 B1 * 8/2001 Han 439/541.5
- 6,312,267 B1 * 11/2001 Wang 439/92
- 6,322,397 B1 * 11/2001 Zhang 439/668
- D461,771 S * 8/2002 Zhao et al. D13/133
- 2006/0160427 A1 * 7/2006 Yin 439/668

* cited by examiner

Primary Examiner—Daniel Bui

(74) *Attorney, Agent, or Firm*—Rosenberg, Klein & Lee

(57) **CLAIM**

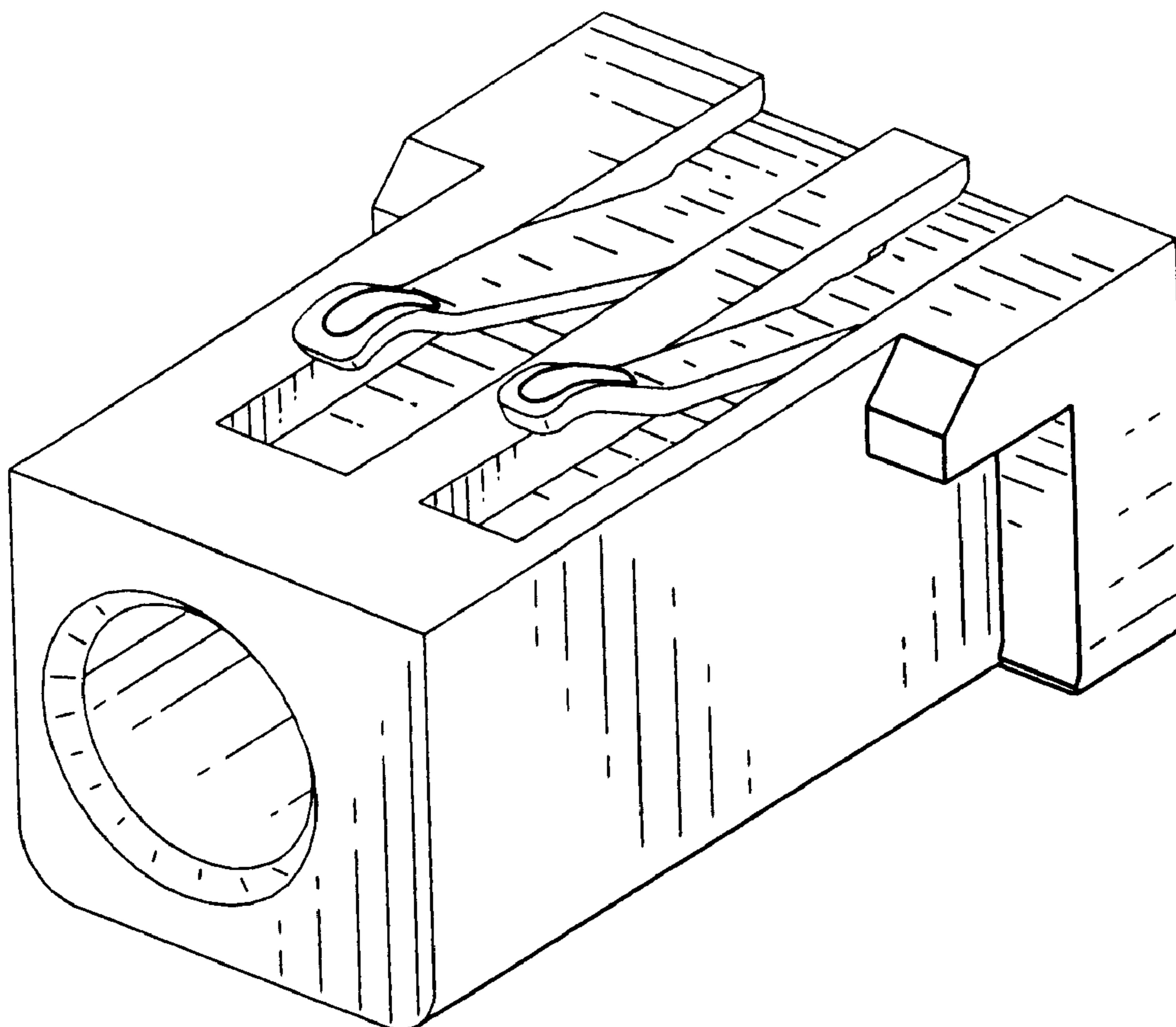
The ornamental design for a receptacle connector, as shown and described.

DESCRIPTION

FIG. 1 is a perspective view of a receptacle connector showing our new design;
 FIG. 2 is a front elevational view thereof;
 FIG. 3 is a rear elevational view thereof;
 FIG. 4 is a left side elevational view thereof;
 FIG. 5 is a right side elevational view thereof;
 FIG. 6 is a top plan view thereof; and,
 FIG. 7 is a bottom plan view thereof.

The broken lines being shown in FIG. 3. are for illustrative purposes only, and form no part of the claimed design.

1 Claim, 7 Drawing Sheets



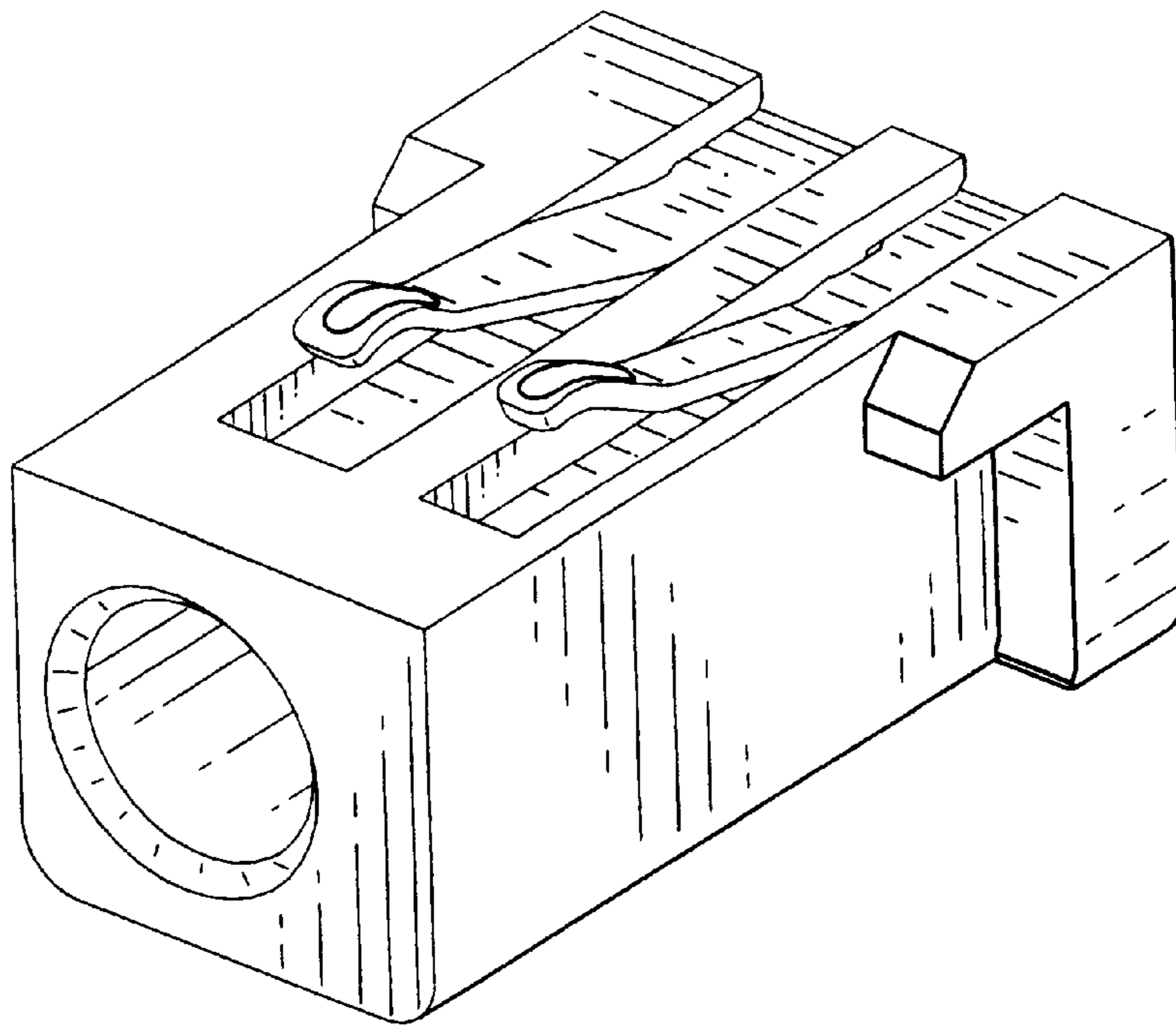


FIG. 1

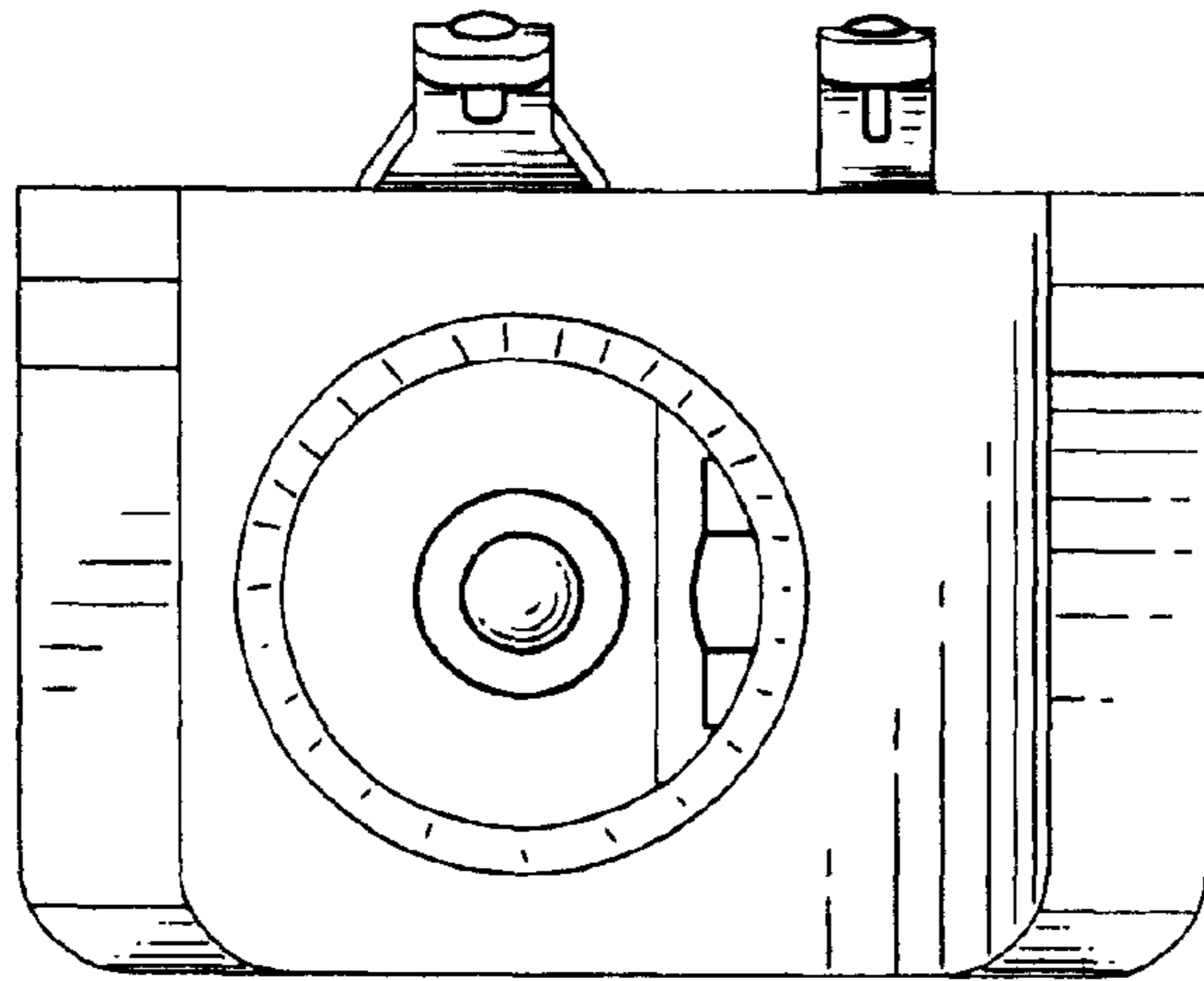


FIG. 2

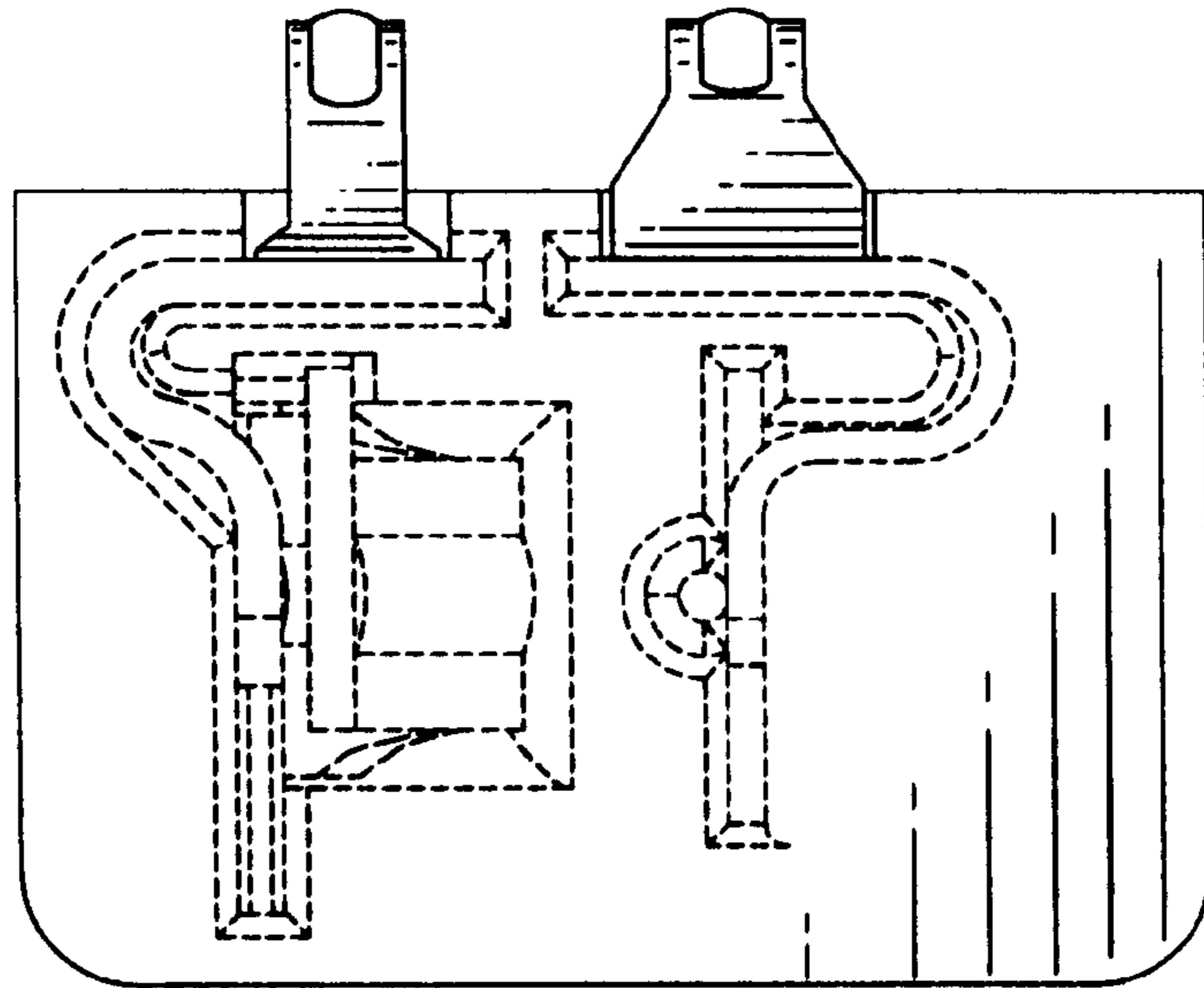


FIG. 3

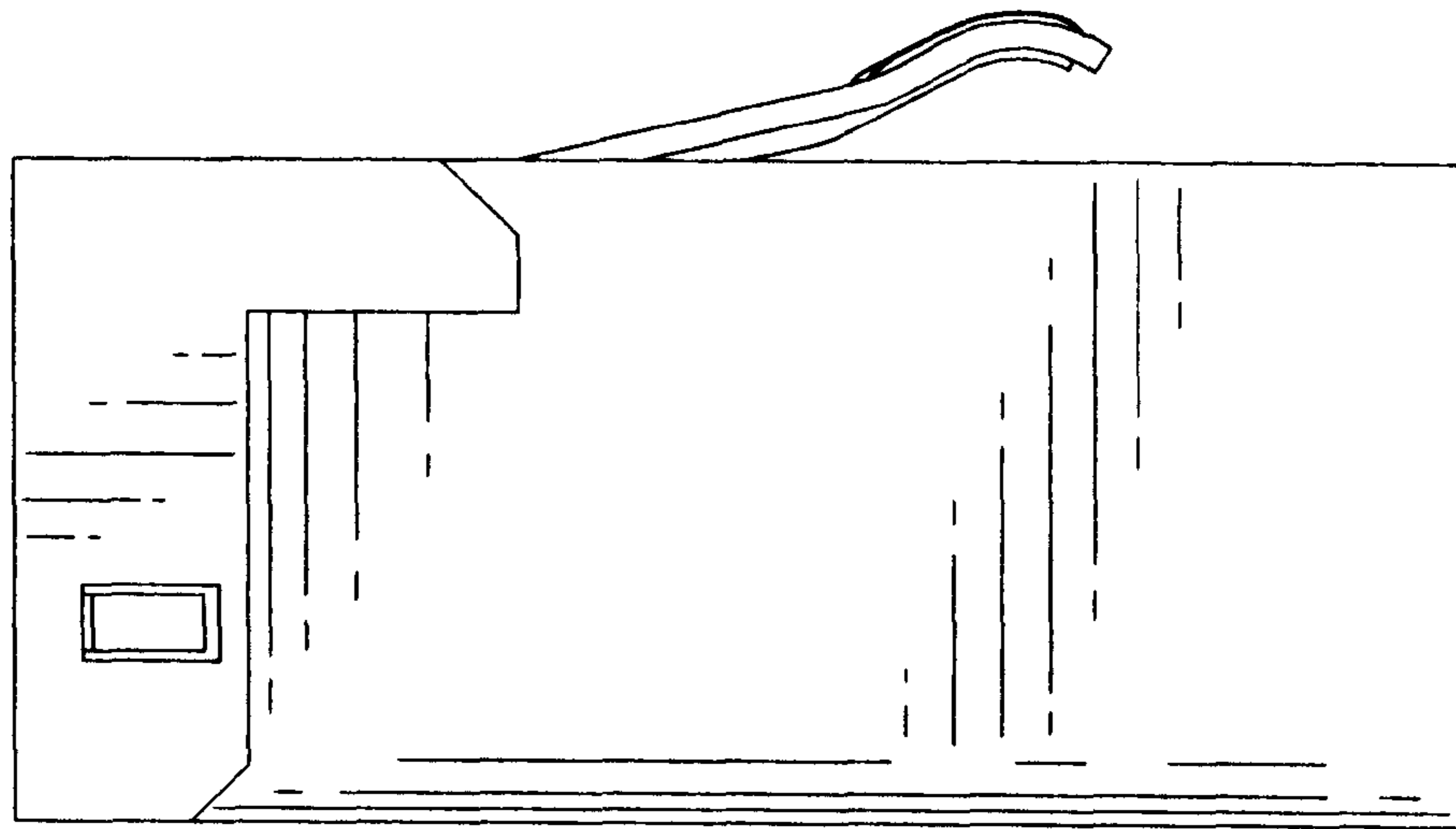


FIG. 4

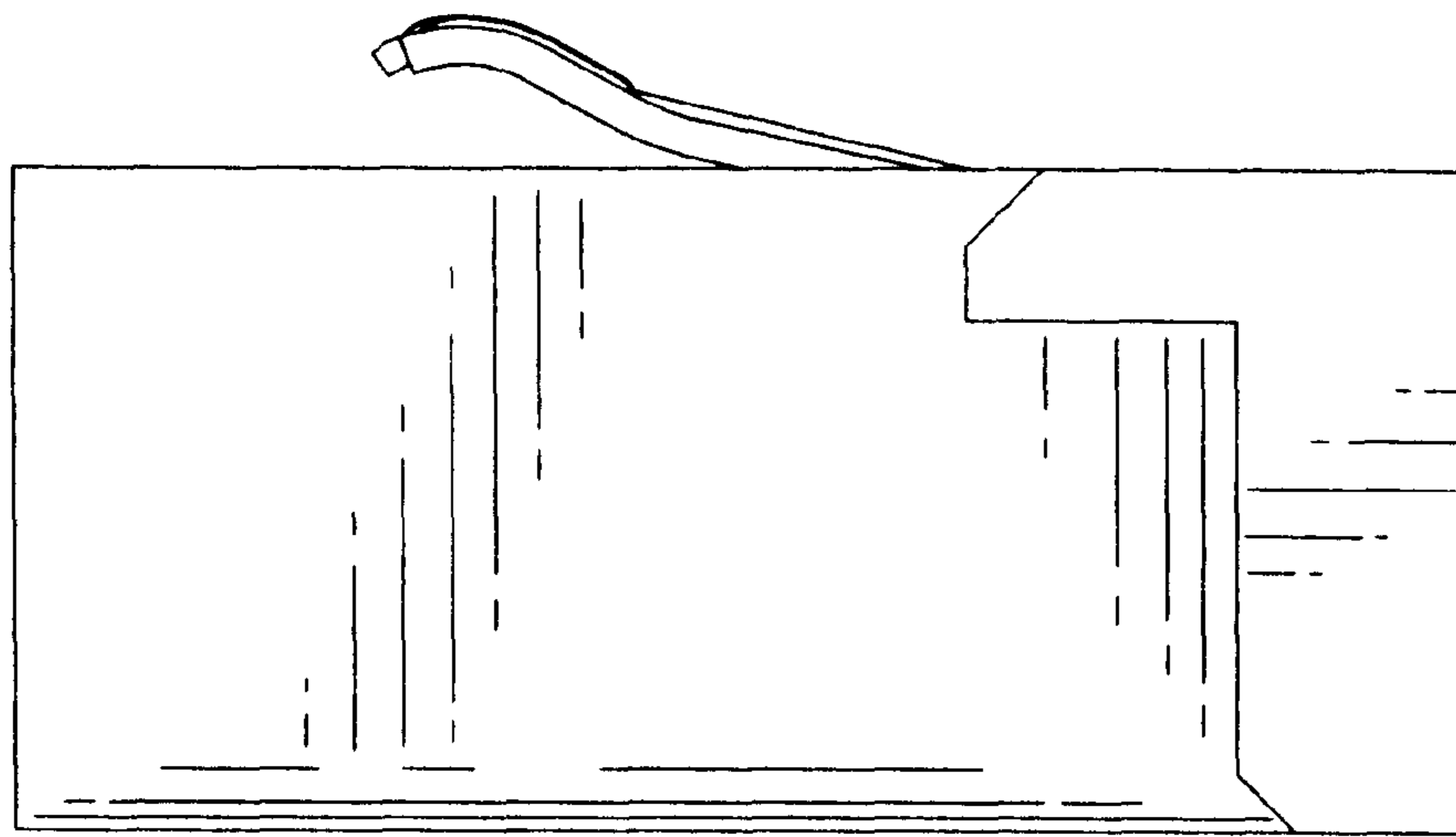


FIG. 5

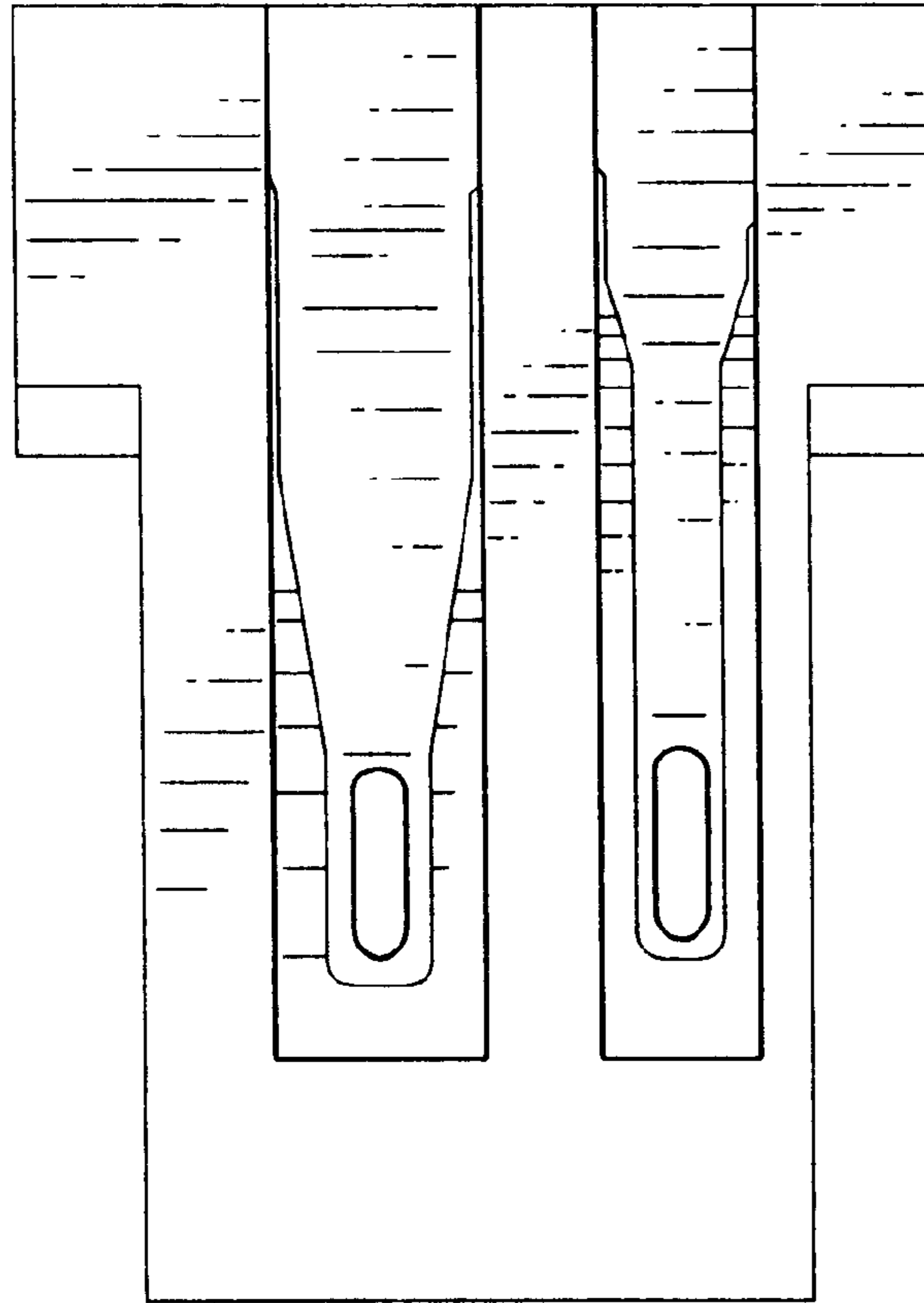


FIG. 6

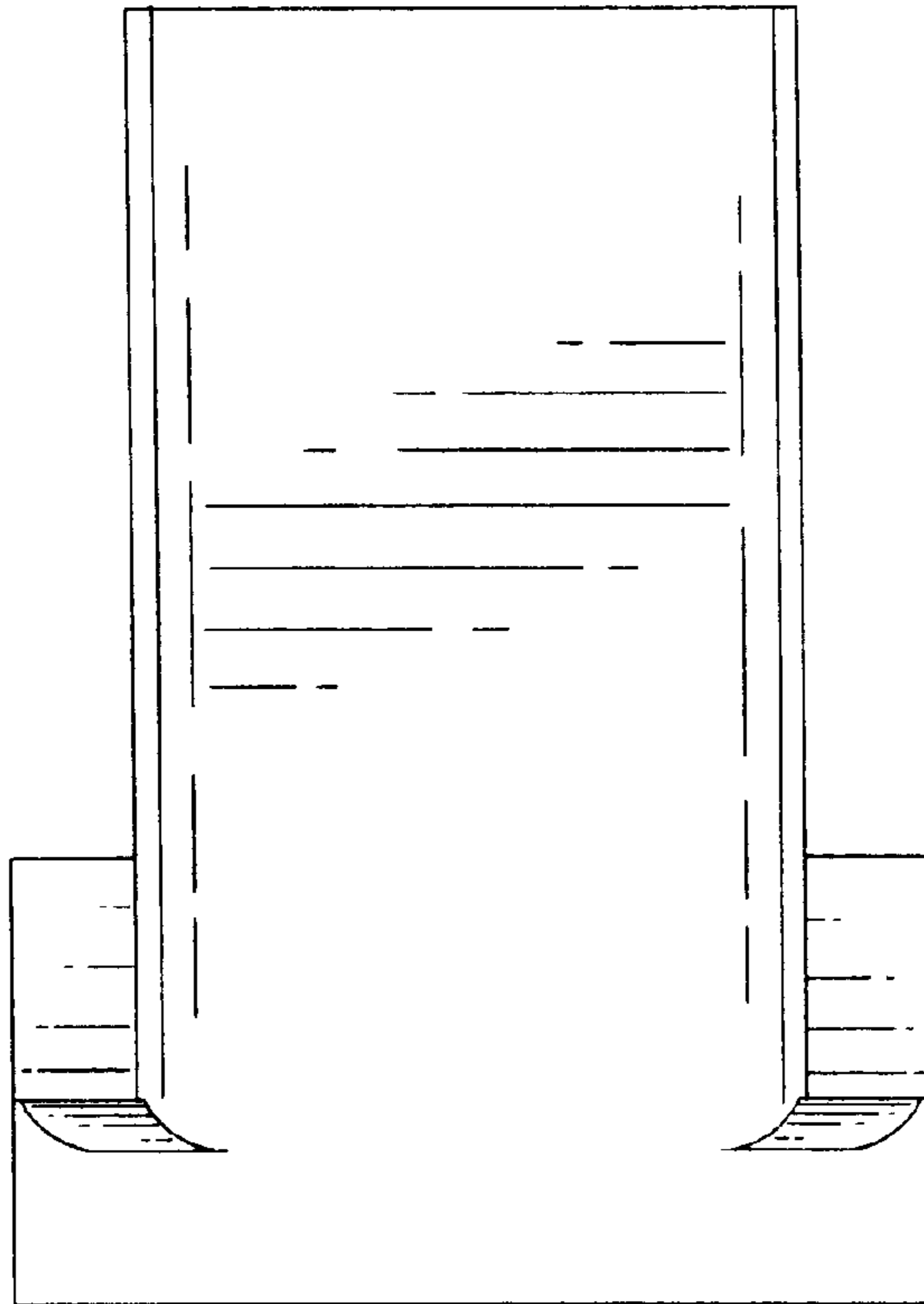


FIG. 7