



US00D543145S

(12) **United States Design Patent**  
**Wu**

(10) **Patent No.:** **US D543,145 S**

(45) **Date of Patent:** **\*\* May 22, 2007**

(54) **AUDIO JACK CONNECTOR**

(75) Inventor: **Yin Lung Wu, Tu-Cheng (TW)**

(73) Assignee: **Cheng Uei Precision Industry Co., Ltd., Taipei Hsien (TW)**

(\*\*) Term: **14 Years**

(21) Appl. No.: **29/256,379**

(22) Filed: **Mar. 21, 2006**

(51) **LOC (8) Cl.** ..... **13-03**

(52) **U.S. Cl.** ..... **D13/133; D13/147**

(58) **Field of Classification Search** ..... D13/133,  
D13/146, 154, 184, 199; 381/384, 394; 439/79,  
439/188, 278, 607, 668, 894  
See application file for complete search history.

(56) **References Cited**

**U.S. PATENT DOCUMENTS**

D414,463 S \* 9/1999 Wu ..... D13/133  
6,050,854 A \* 4/2000 Fang et al. .... 439/607  
6,224,409 B1 \* 5/2001 Chang ..... 439/188  
D450,654 S \* 11/2001 Suzuki ..... D13/133

D451,472 S \* 12/2001 Suzuki ..... D13/133  
6,595,804 B2 \* 7/2003 Nagata ..... 439/668  
2005/0124220 A1 \* 6/2005 Wang ..... 439/607  
2006/0160427 A1 \* 7/2006 Yin ..... 439/668

\* cited by examiner

*Primary Examiner*—Daniel Bui

(74) *Attorney, Agent, or Firm*—Rosenberg, Klein & Lee

(57) **CLAIM**

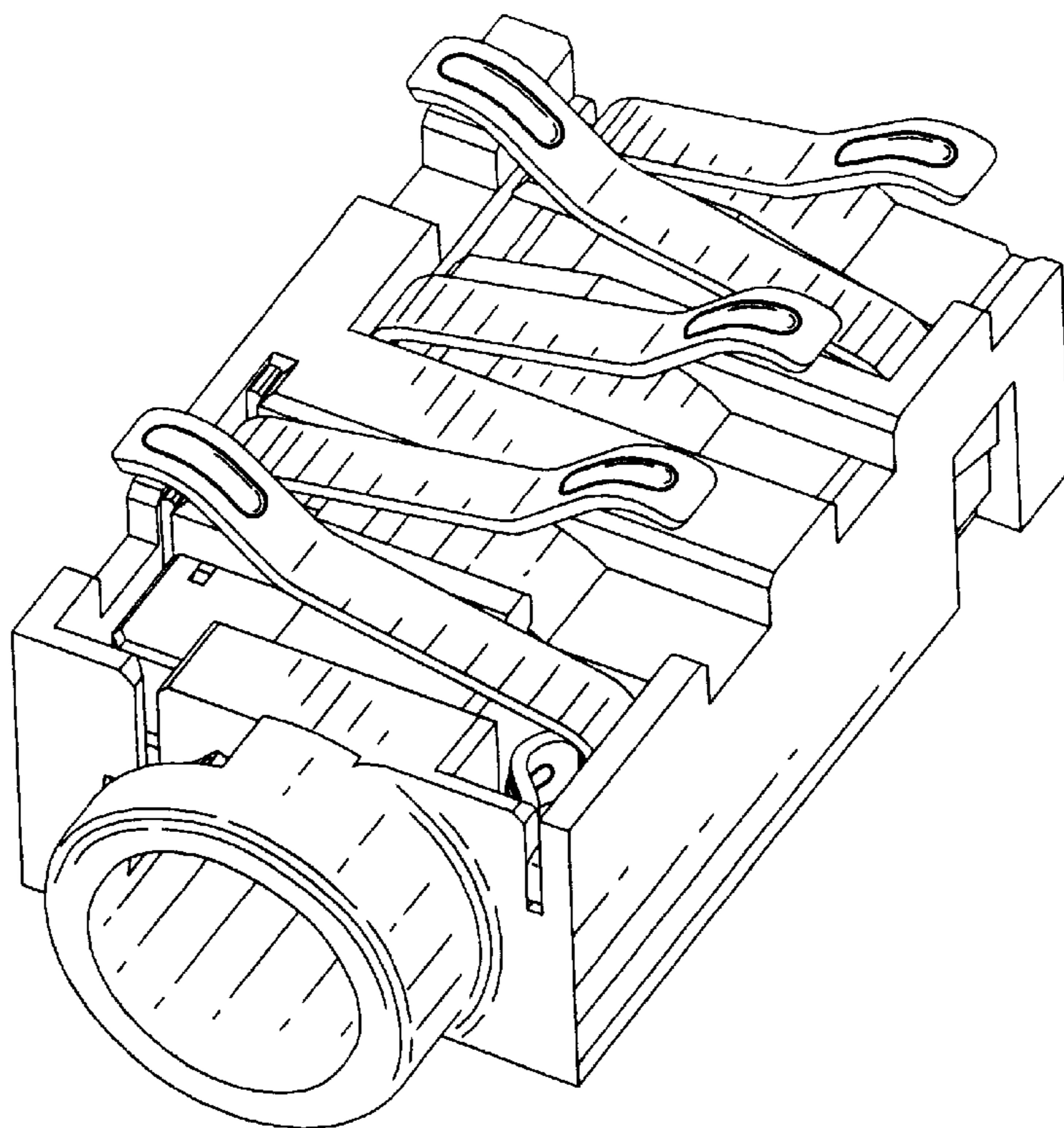
The ornamental design for an audio jack connector, as shown and described.

**DESCRIPTION**

FIG. 1 is a perspective view of an audio jack connector showing my new design;  
FIG. 2 is a front elevational view thereof;  
FIG. 3 is a rear elevational view thereof;  
FIG. 4 is a left side elevational view thereof;  
FIG. 5 is a right side elevational view thereof;  
FIG. 6 is a top plan view thereof; and,  
FIG. 7 is a bottom plan view thereof.

The broken lines being shown are for illustrative purposes only, and form no part of the claimed design.

**1 Claim, 7 Drawing Sheets**



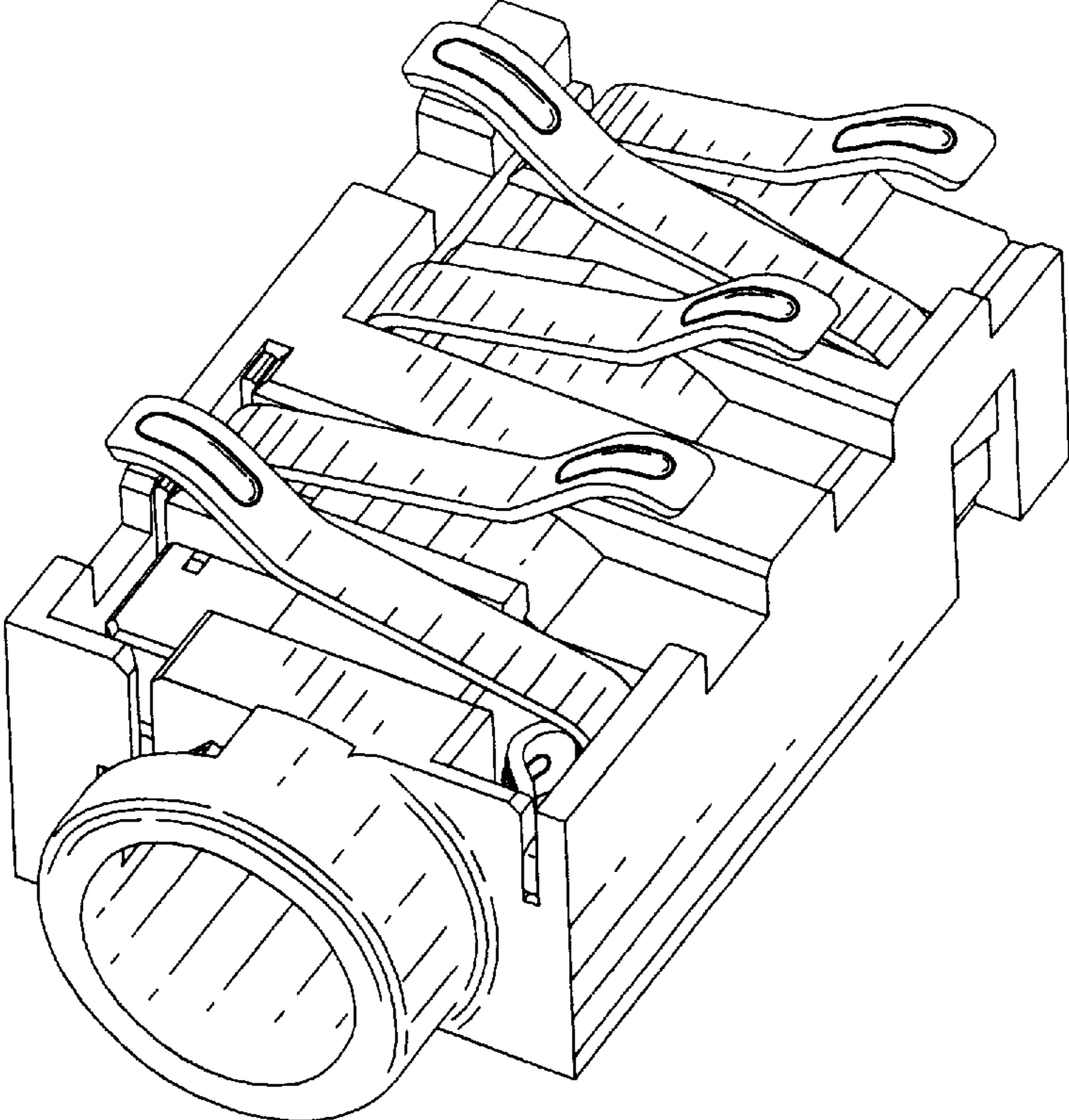


FIG. 1

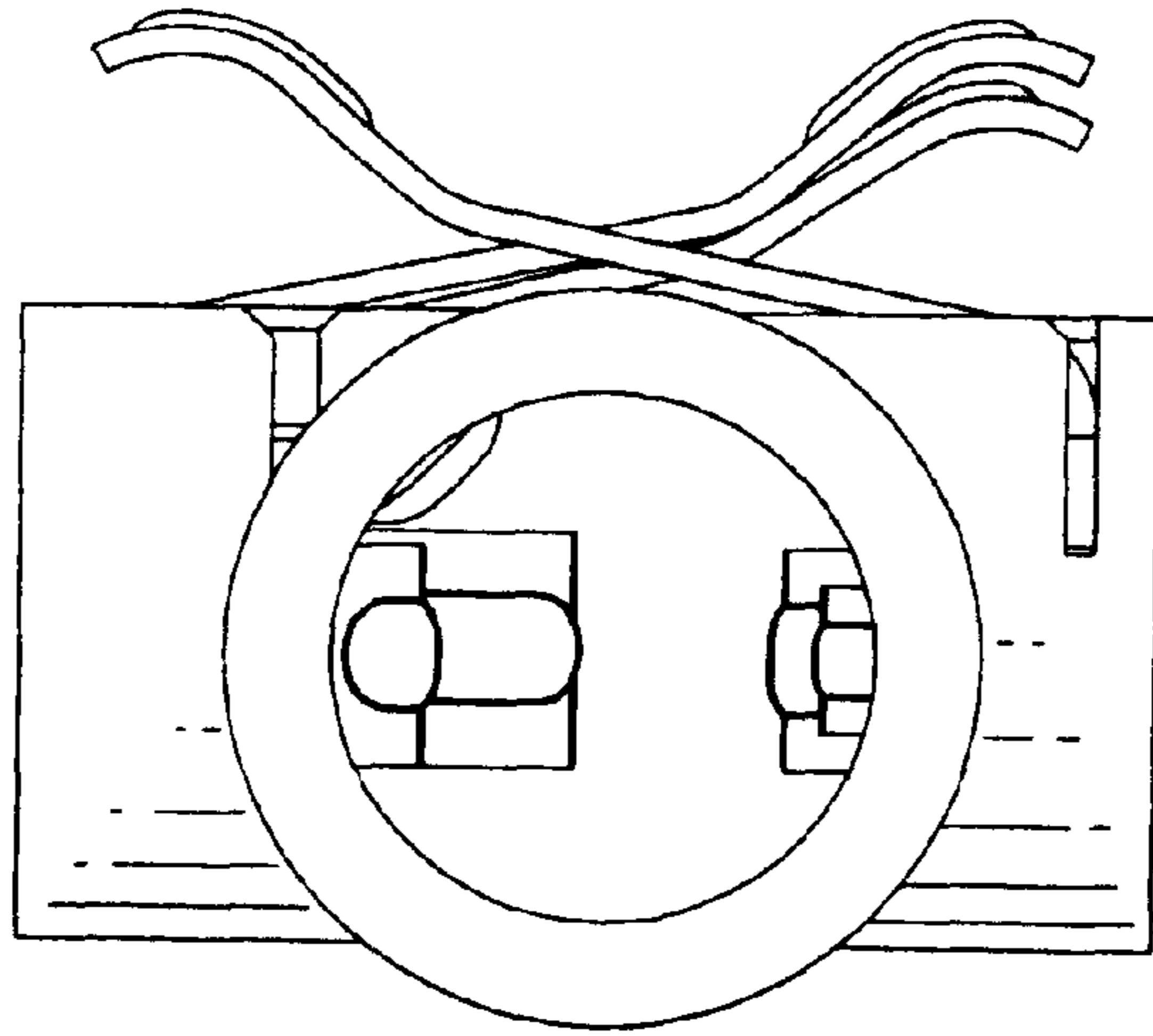


FIG. 2

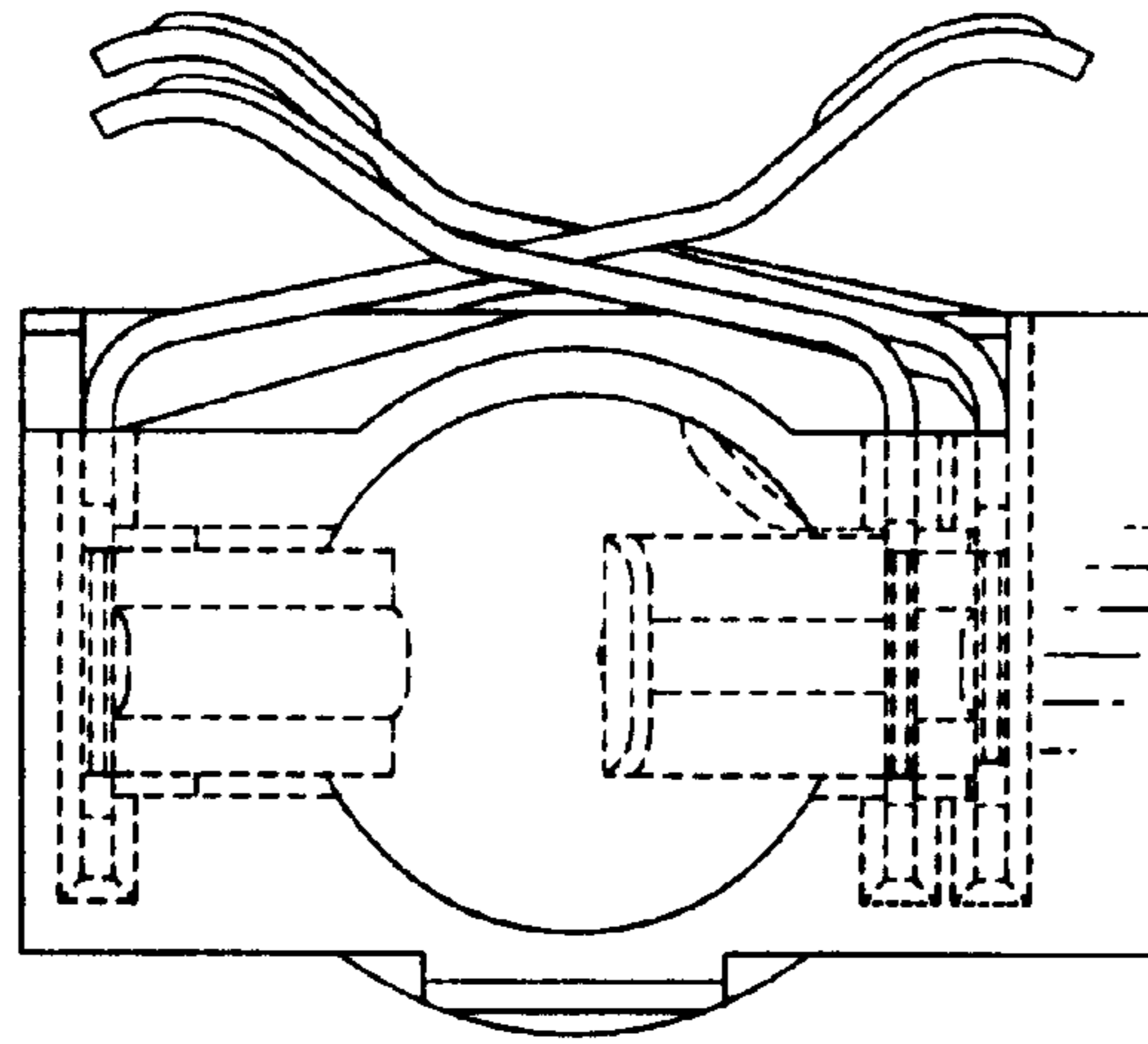


FIG. 3

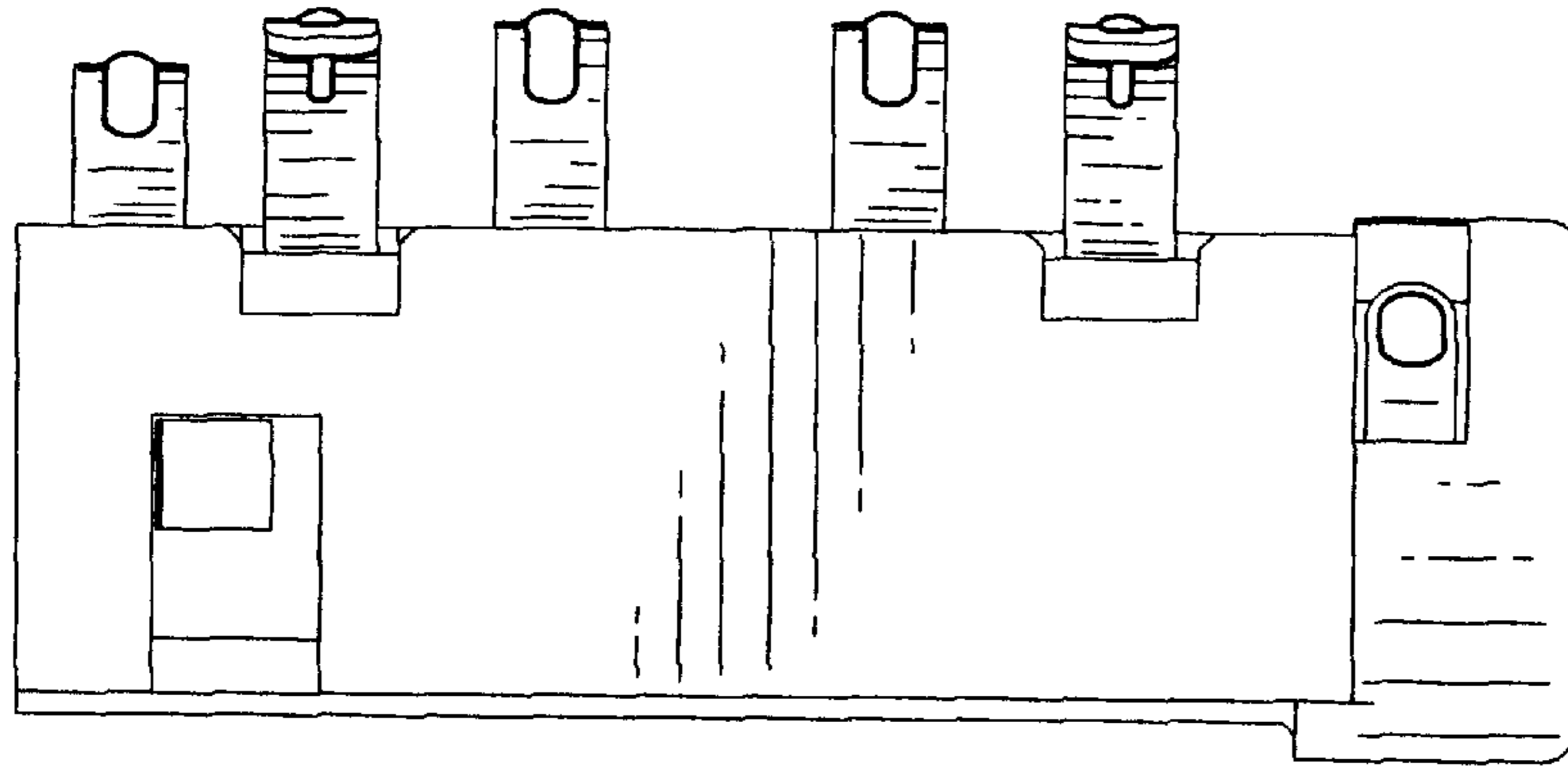


FIG. 4

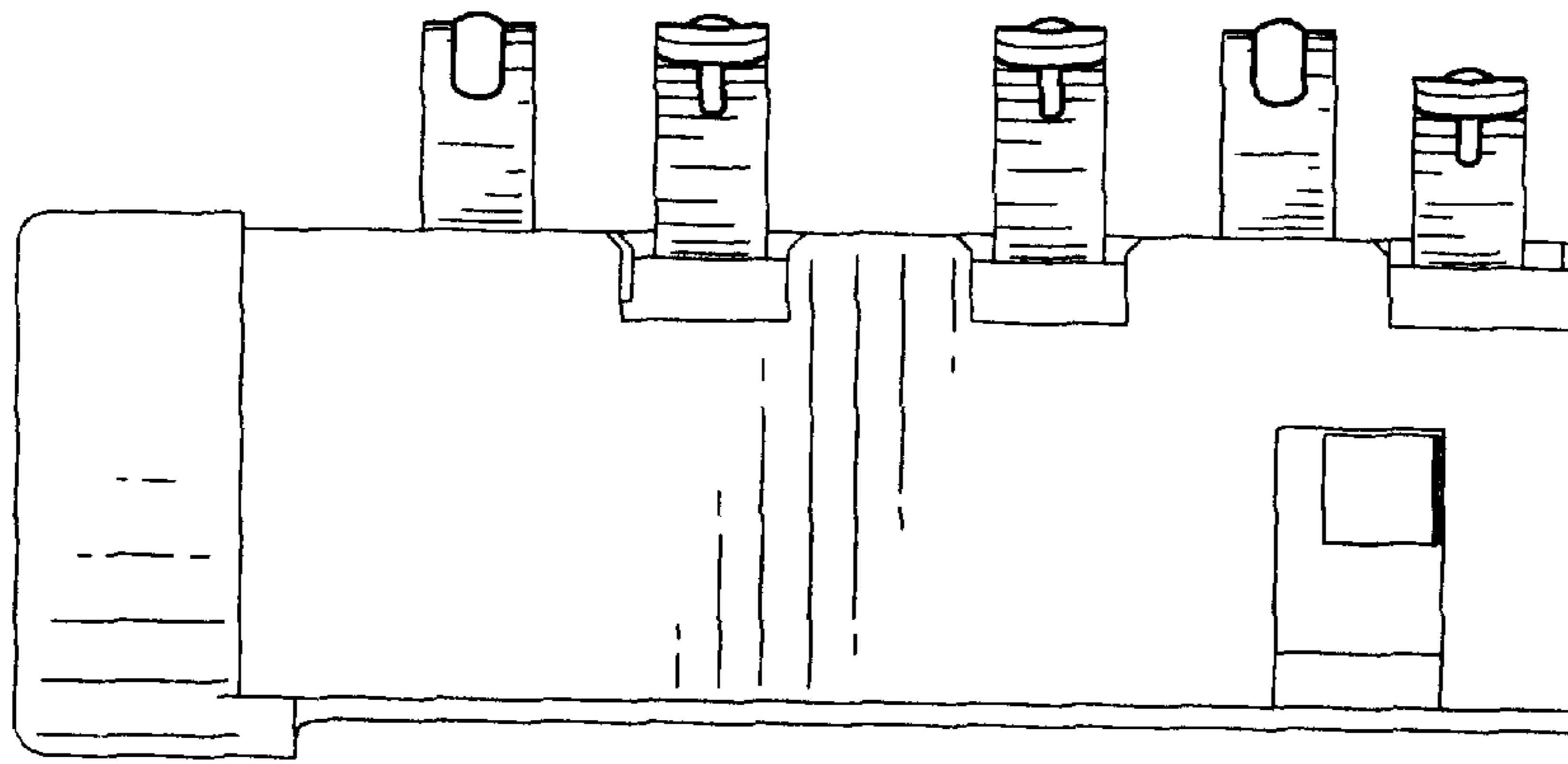


FIG. 5

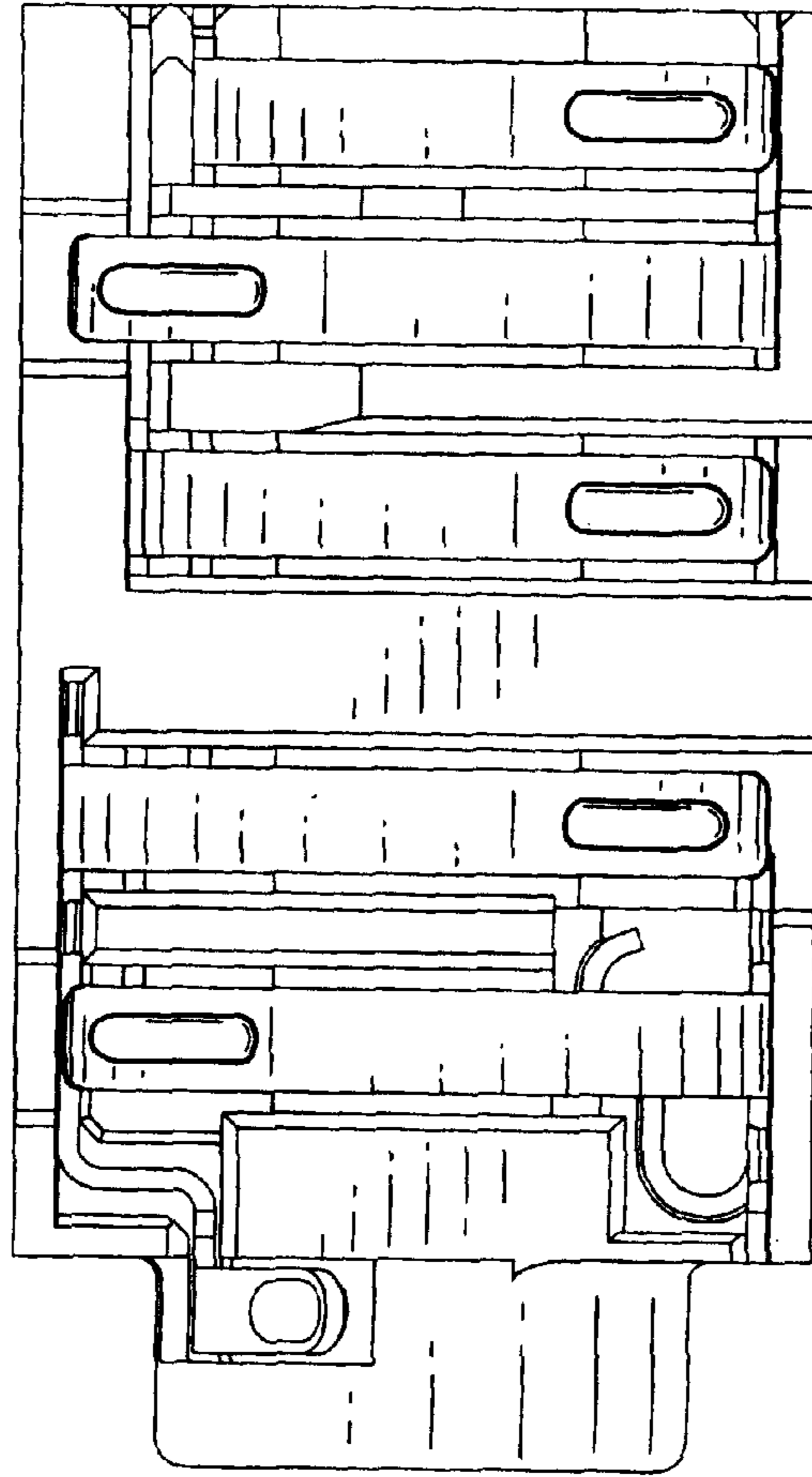


FIG. 6

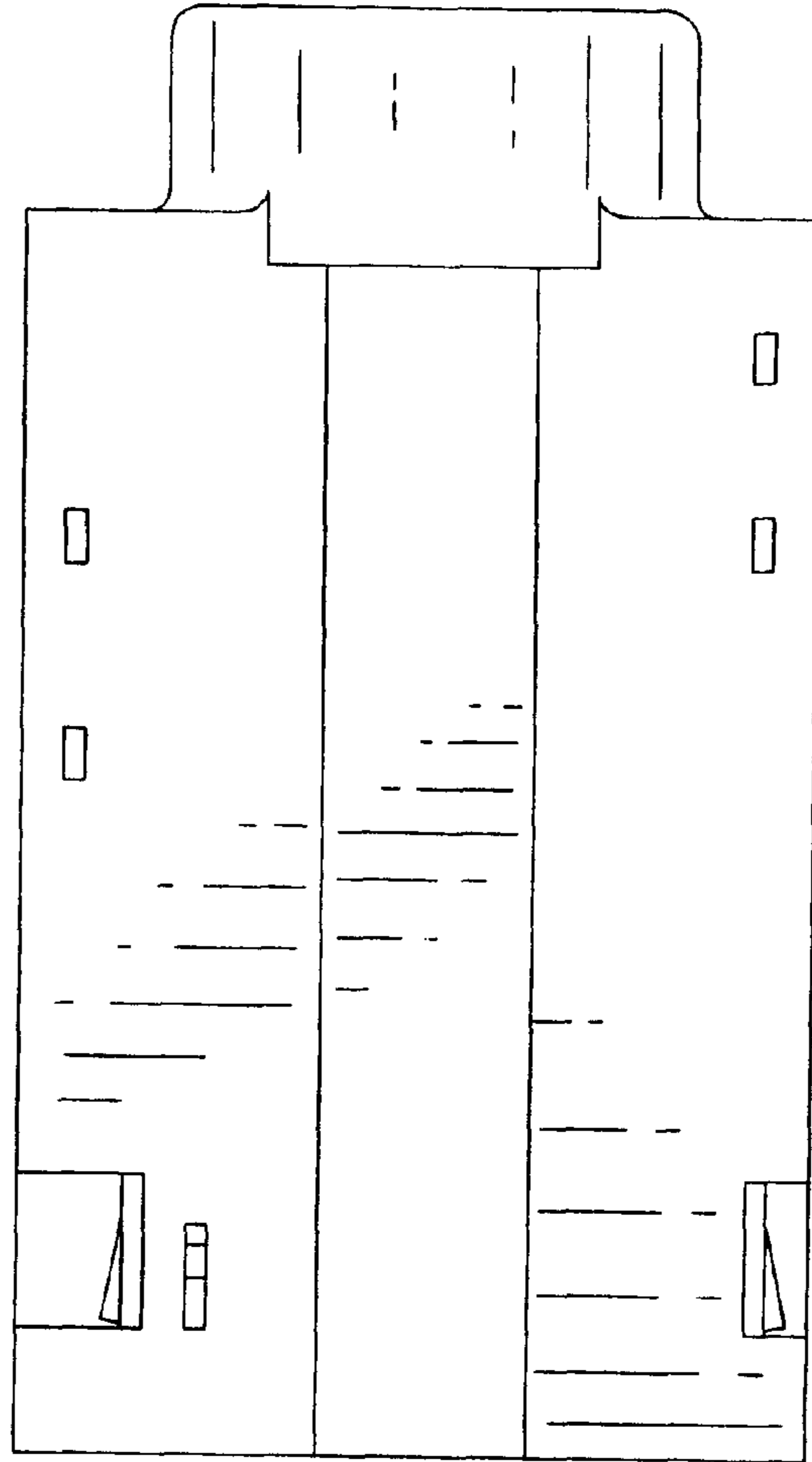


FIG. 7