

US00D543144S

(12) **United States Design Patent**  
**Hussaini et al.**

(10) **Patent No.:** **US D543,144 S**

(45) **Date of Patent:** **\*\* May 22, 2007**

(54) **POWER SUPPLY FOR PORTABLE ELECTRONIC DEVICE**

(75) Inventors: **Saied Hussaini**, Miami, FL (US); **Marc Iacovelli**, Miami, FL (US)

(73) Assignee: **Intec, Inc.**, Miami, FL (US)

(\*\*) Term: **14 Years**

(21) Appl. No.: **29/231,812**

(22) Filed: **Jun. 10, 2005**

(51) **LOC (8) Cl.** ..... **13-02**

(52) **U.S. Cl.** ..... **D13/110**

(58) **Field of Classification Search** ..... D13/110,  
D13/107, 138.1, 199; 307/150, 151; 363/143,  
363/146

See application file for complete search history.

(56) **References Cited**

**U.S. PATENT DOCUMENTS**

D212,233 S	*	9/1968	Mas	.....	D13/110
4,519,015 A	*	5/1985	Lin	.....	361/752
5,160,879 A	*	11/1992	Tortola et al.	.....	320/111
D338,188 S	*	8/1993	Lee et al.	.....	D13/110
D406,259 S	*	3/1999	Lindahl	.....	D13/110
6,086,395 A	*	7/2000	Lloyd et al.	.....	439/172

D430,848 S	*	9/2000	Davi et al.	.....	D13/138.1
D432,986 S	*	10/2000	Krumenacker et al.	....	D13/107
D454,537 S	*	3/2002	O'Connor et al.	.....	D13/110
D456,008 S	*	4/2002	Kawanobe et al.	.....	D13/110

\* cited by examiner

*Primary Examiner*—Prabhakar Deshmukh

*Assistant Examiner*—Derrick Holland

(74) *Attorney, Agent, or Firm*—Berenato, White & Stavish

(57) **CLAIM**

The ornamental design for a power supply for portable electronic device, as shown and described.

**DESCRIPTION**

FIG. 1 is a perspective view of a power supply for portable electric device, showing our new design.

FIG. 2 is a top view of the power supply of FIG. 1.

FIG. 3 is a bottom view of the power supply of FIG. 1.

FIG. 4 is a front view of the power supply of FIG. 1.

FIG. 5 is a rear view of the power supply of FIG. 1.

FIG. 6 is a right side view of the power supply of FIG. 1; and,

FIG. 7 is a left side view of the power supply of FIG. 1.

The broken lines showing are for illustrative purposes and form no part of the claimed design.

**1 Claim, 7 Drawing Sheets**

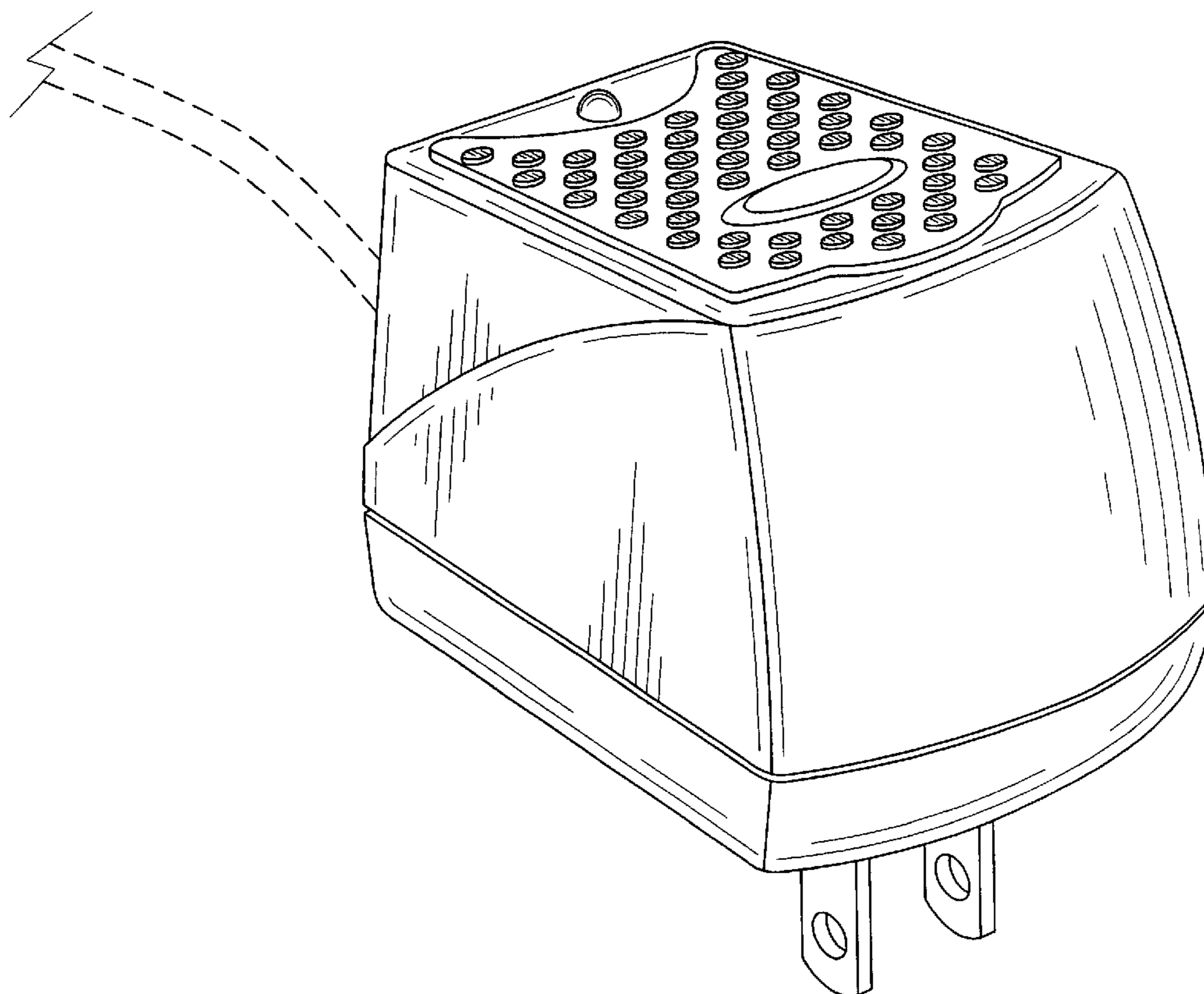


Fig. 1

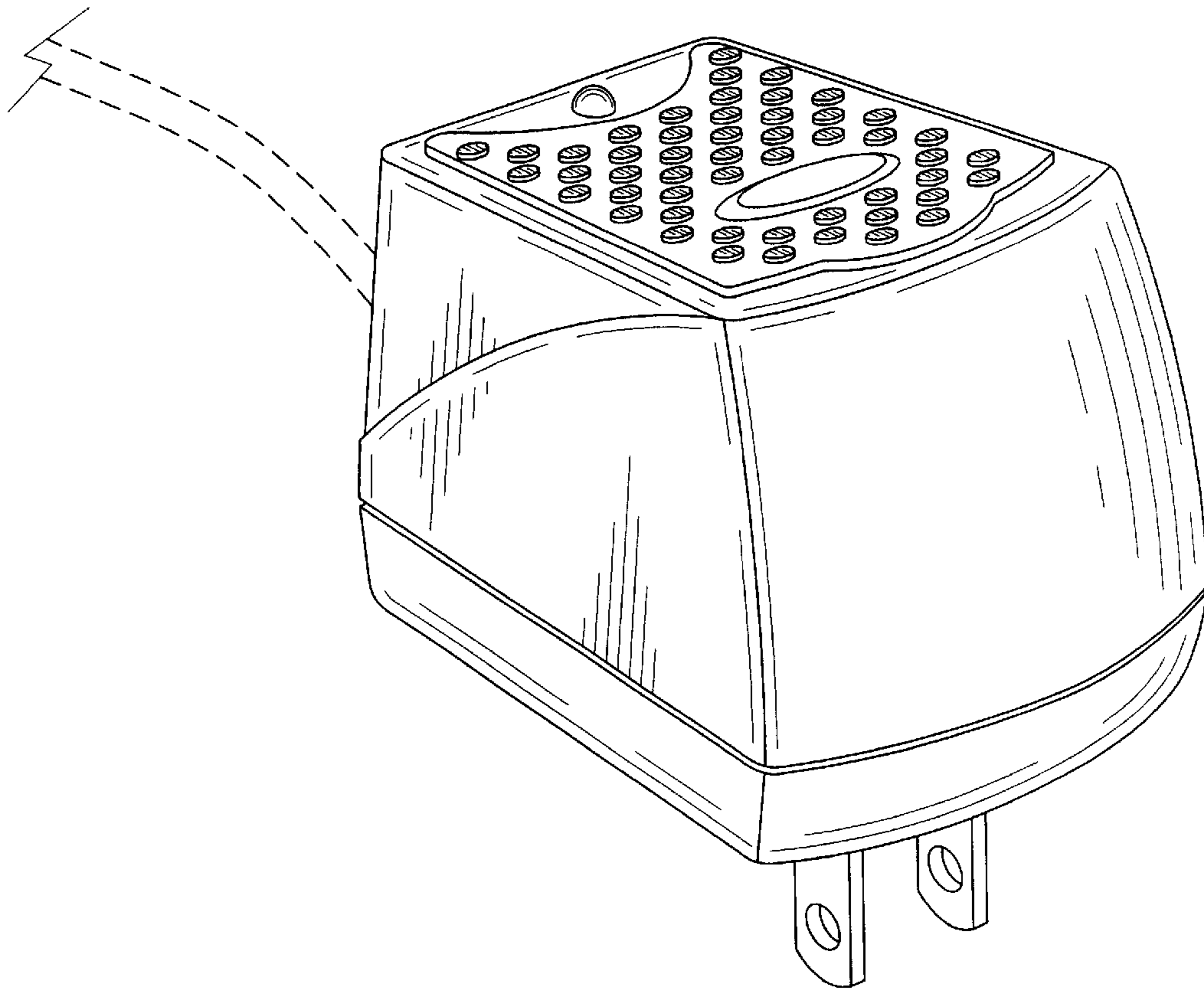


Fig. 2

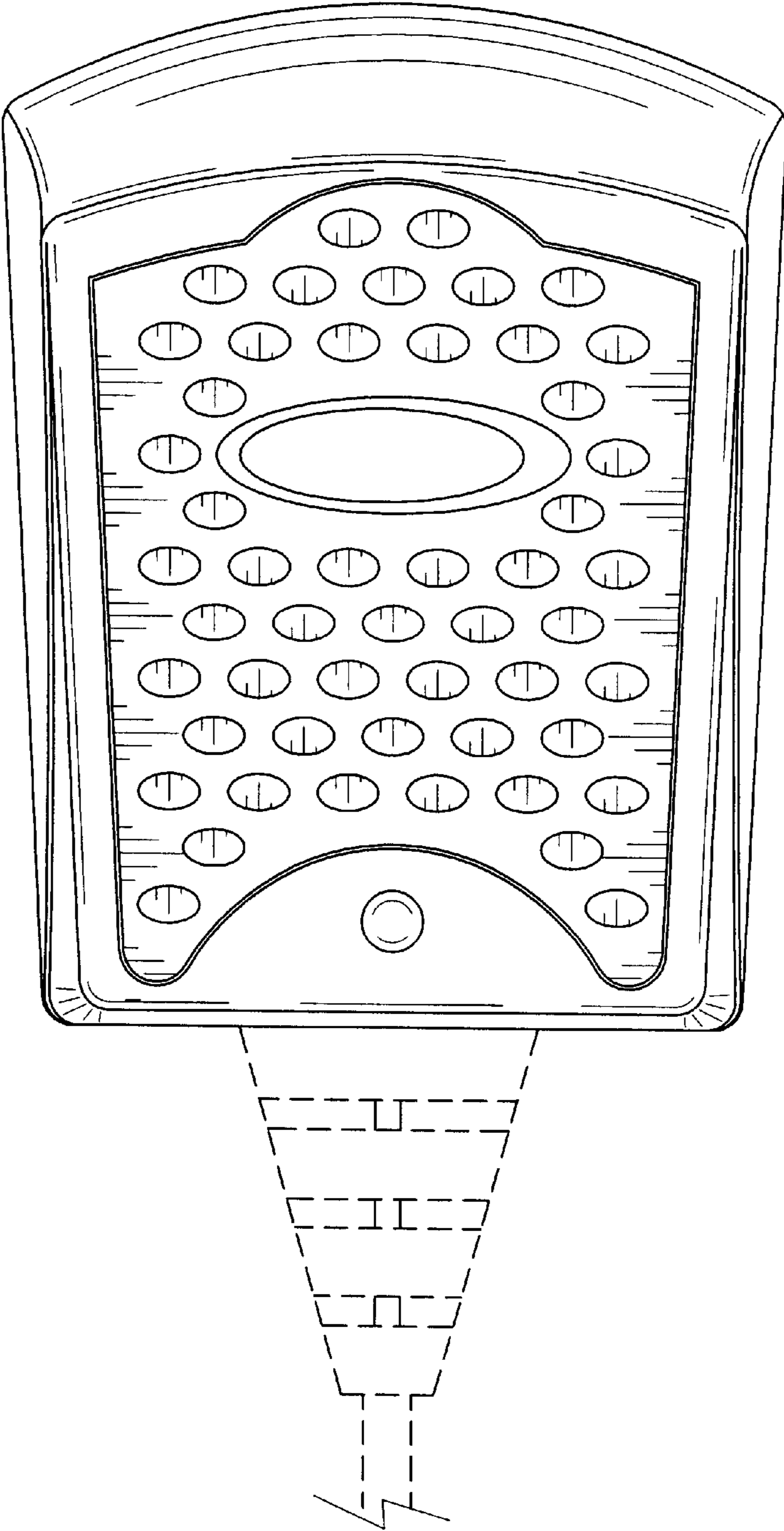


Fig. 3

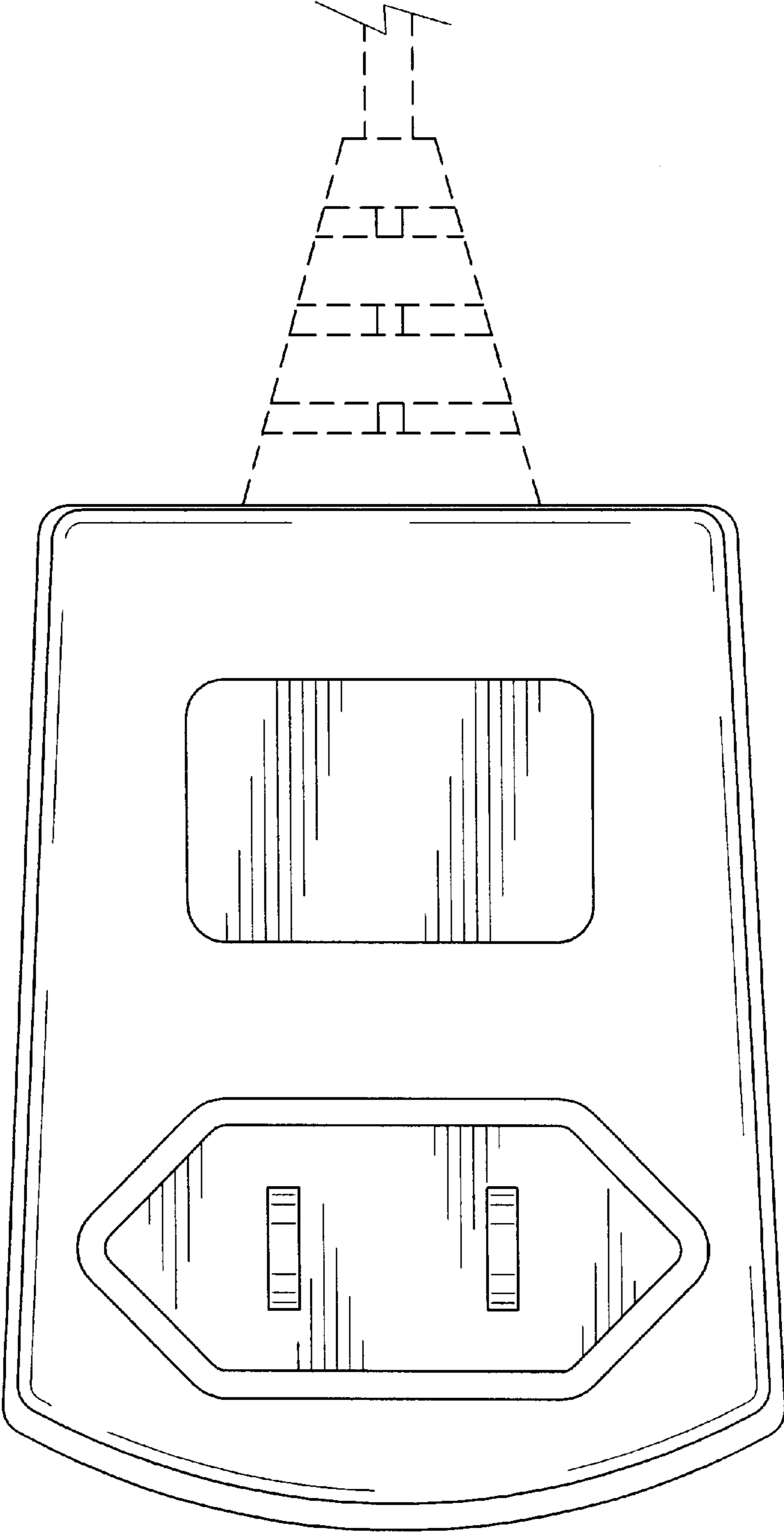


Fig. 4

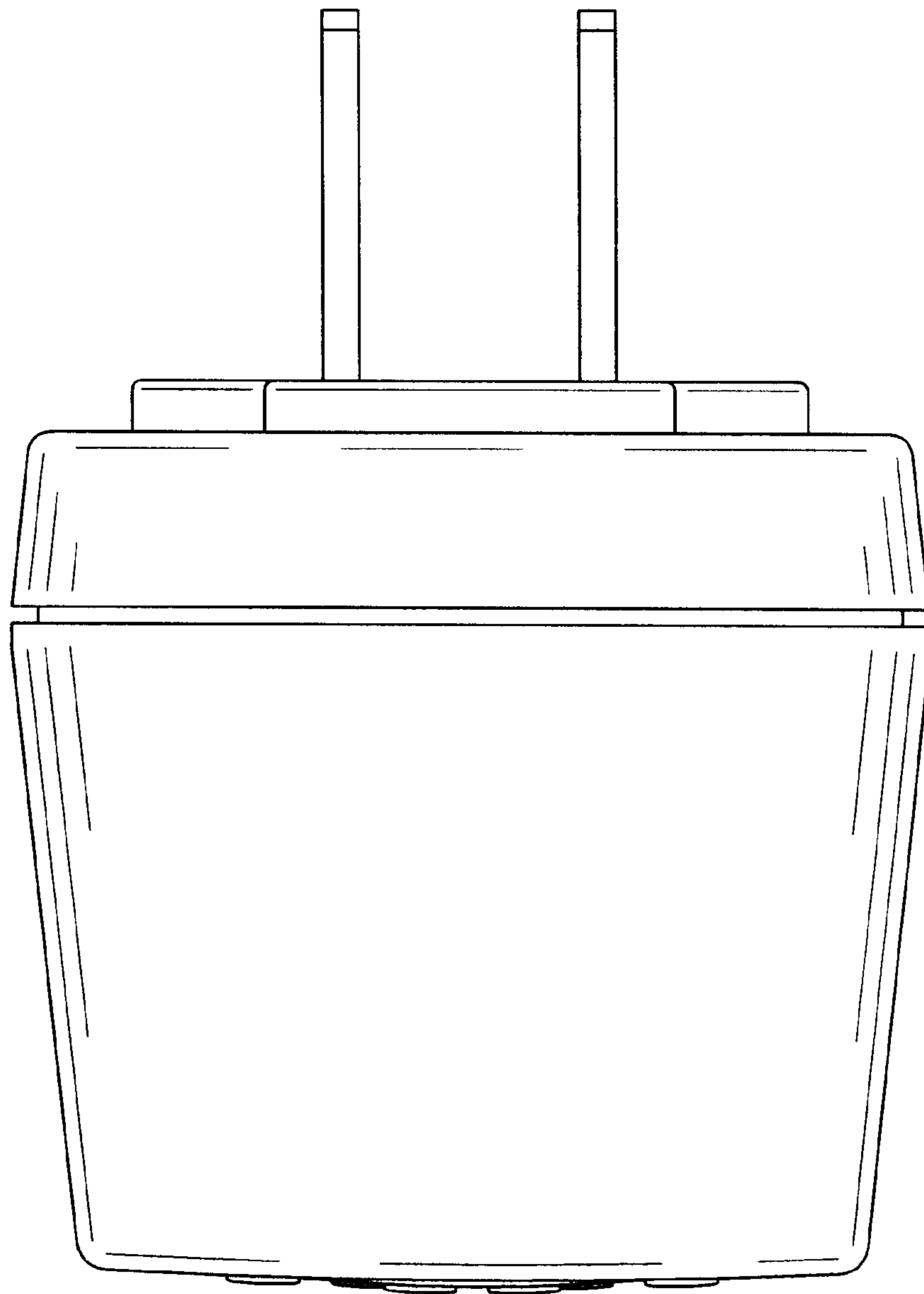


Fig. 5

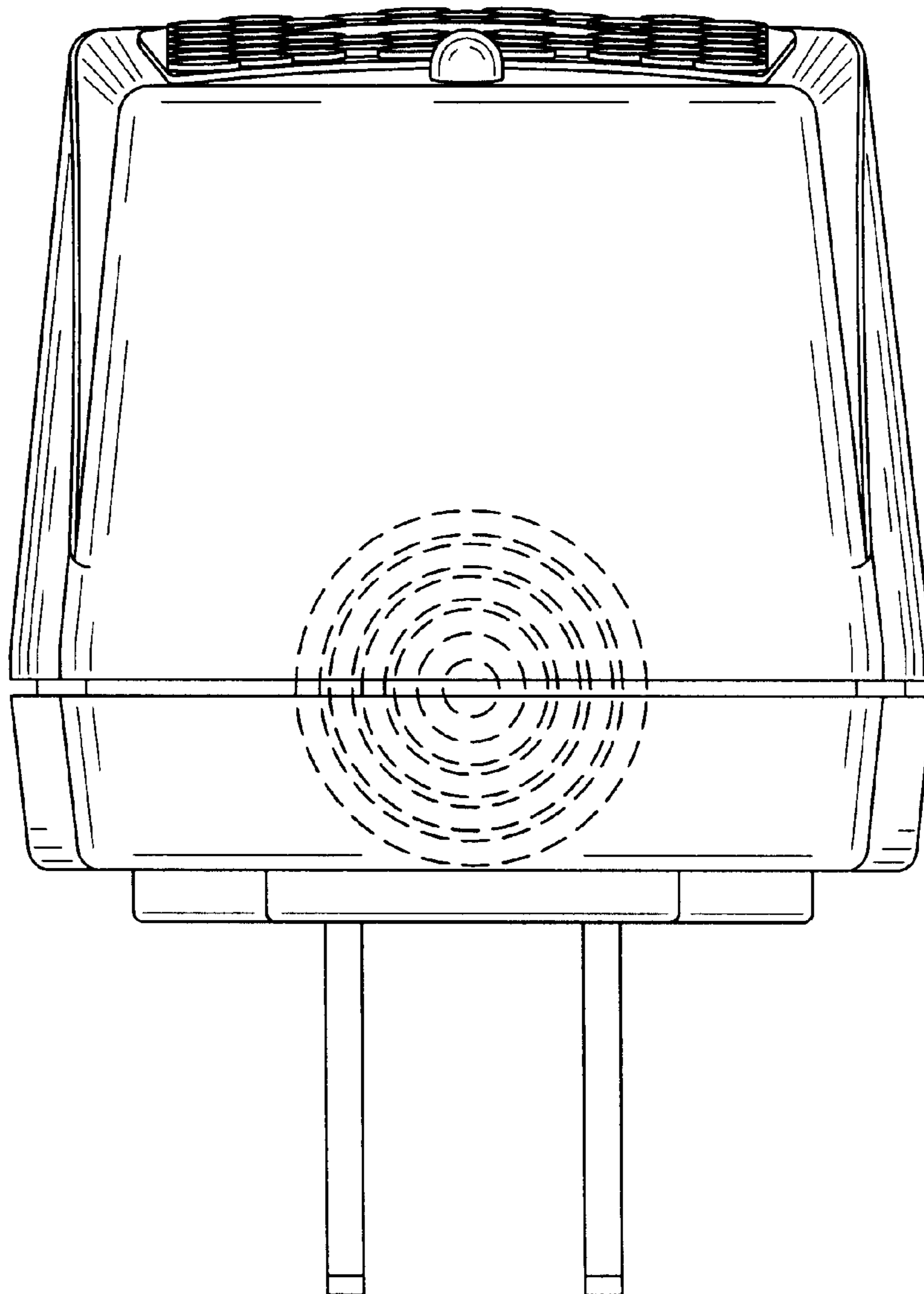


Fig. 6

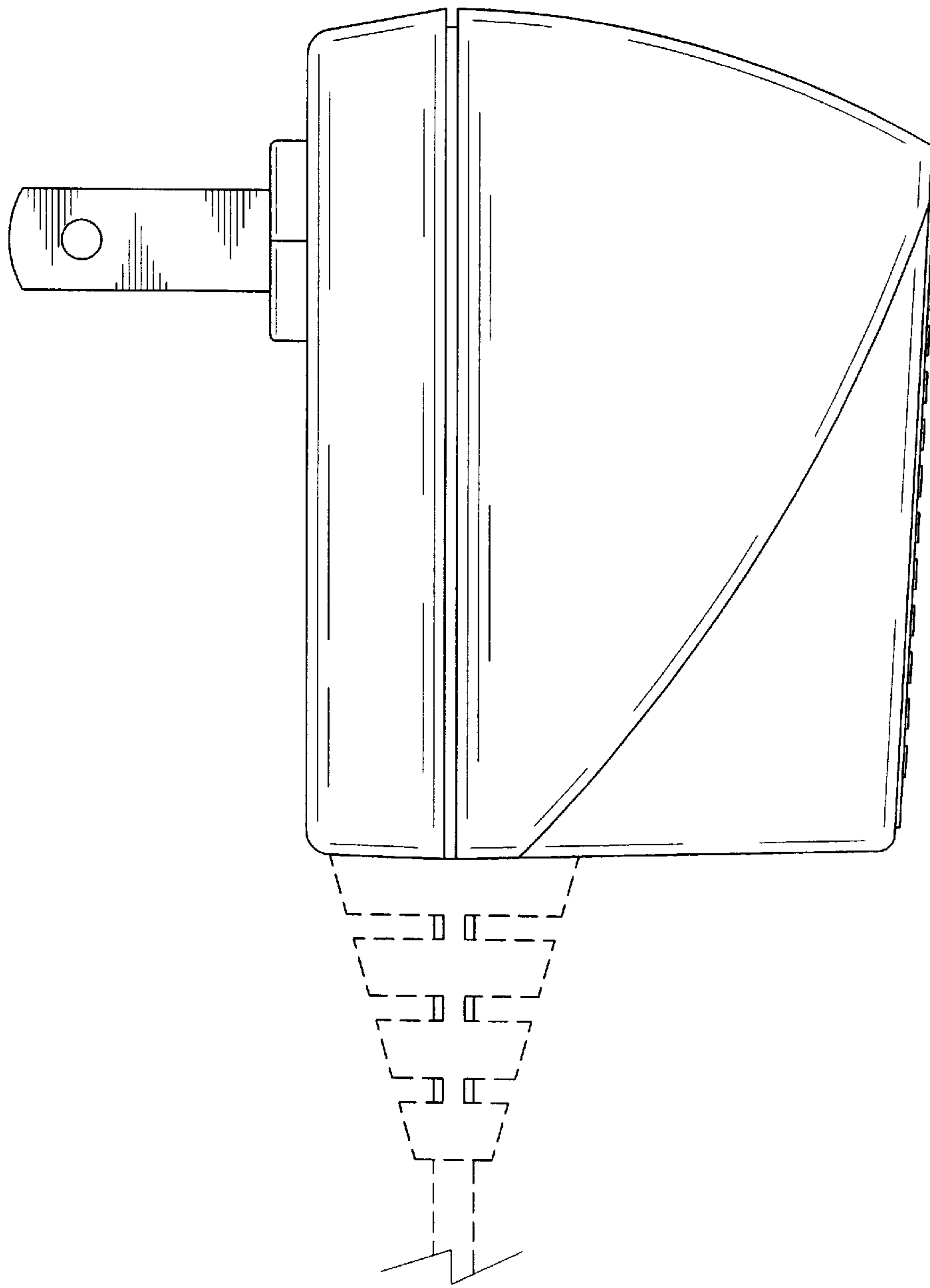


Fig. 7

