



US00D543141S

(12) **United States Design Patent**
Saah

(10) **Patent No.:** **US D543,141 S**
(45) **Date of Patent:** **** May 22, 2007**

(54) **TRANSDUCER MOUNT WITH THUMB-
RELEASE SPRING LOADED LOCK SYSTEM
FOR UP OR DOWN LOCKED POSITIONING**

(76) Inventor: **George Saah**, 940 Alameda Way,
Sarasota, FL (US) 34234

(**) Term: **14 Years**

(21) Appl. No.: **29/259,964**

(22) Filed: **May 18, 2006**

(51) **LOC (8) Cl.** **12-06**

(52) **U.S. Cl.** **D12/317**

(58) **Field of Classification Search** D12/317;
114/53, 343; 440/6, 113; 248/640; 224/501,
224/502, 516, 519, 533; 367/173, 191
See application file for complete search history.

(56) **References Cited**

U.S. PATENT DOCUMENTS

2,592,050	A	*	4/1952	McCharen	224/516
4,136,806	A	*	1/1979	Wisz	224/533
4,676,414	A	*	6/1987	Deguevara	224/535
4,842,239	A	*	6/1989	Kinsey et al.	248/640
5,021,016	A	*	6/1991	Currey	440/113
5,067,641	A	*	11/1991	Johnson et al.	224/501
D322,423	S	*	12/1991	Greenberg	D12/317
5,320,324	A	*	6/1994	Norton	248/640
D363,695	S	*	10/1995	Sargent	D12/317
6,189,754	B1	*	2/2001	Cutajar et al.	224/519
2002/0098752	A1	*	7/2002	Fischer	440/113

* cited by examiner

Primary Examiner—Holly H. Baynham

Assistant Examiner—Cynthia M. Chin

(74) *Attorney, Agent, or Firm*—Dorothy S. Morse

(57) **CLAIM**

The ornamental design for a transducer mount with thumb-release spring loaded lock system for up or down locked positioning, as shown and described.

DESCRIPTION

FIG. 1 is a top end view of the invention with its mounting arm in a down-locked position.

FIG. 2 is a bottom end view of the invention with its mounting arm in a down-locked position.

FIG. 3 is a left side view of the invention with its mounting arm in a down-locked position.

FIG. 4 is a right side view of the invention with its mounting arm in a down-locked position.

FIG. 5 is a front view of the invention with its mounting arm in a down-locked position.

FIG. 6 is a back view of the invention with its mounting arm in a down-locked position.

FIG. 7 is a front view of the invention with its bolt pushed into an unlocked position and its mounting arm in a down-locked position.

FIG. 8 is a front view of the invention with its mounting arm and bolt in unlocked positions and the mounting arm pushed upward.

FIG. 9 is a right side view of the invention with its mounting arm and bolt in unlocked positions, and also with the mounting arm between up-locked and down-locked positions.

FIG. 10 is a left side view of the invention with its mounting arm and bolt in unlocked positions and the mounting arm between up-locked and down-locked positions, and further with broken lines representing a mounted transducer which forms no part of the invention.

FIG. 11 is a right side view of the invention with its mounting arm and bolt in unlocked positions and the mounting arm in an up position.

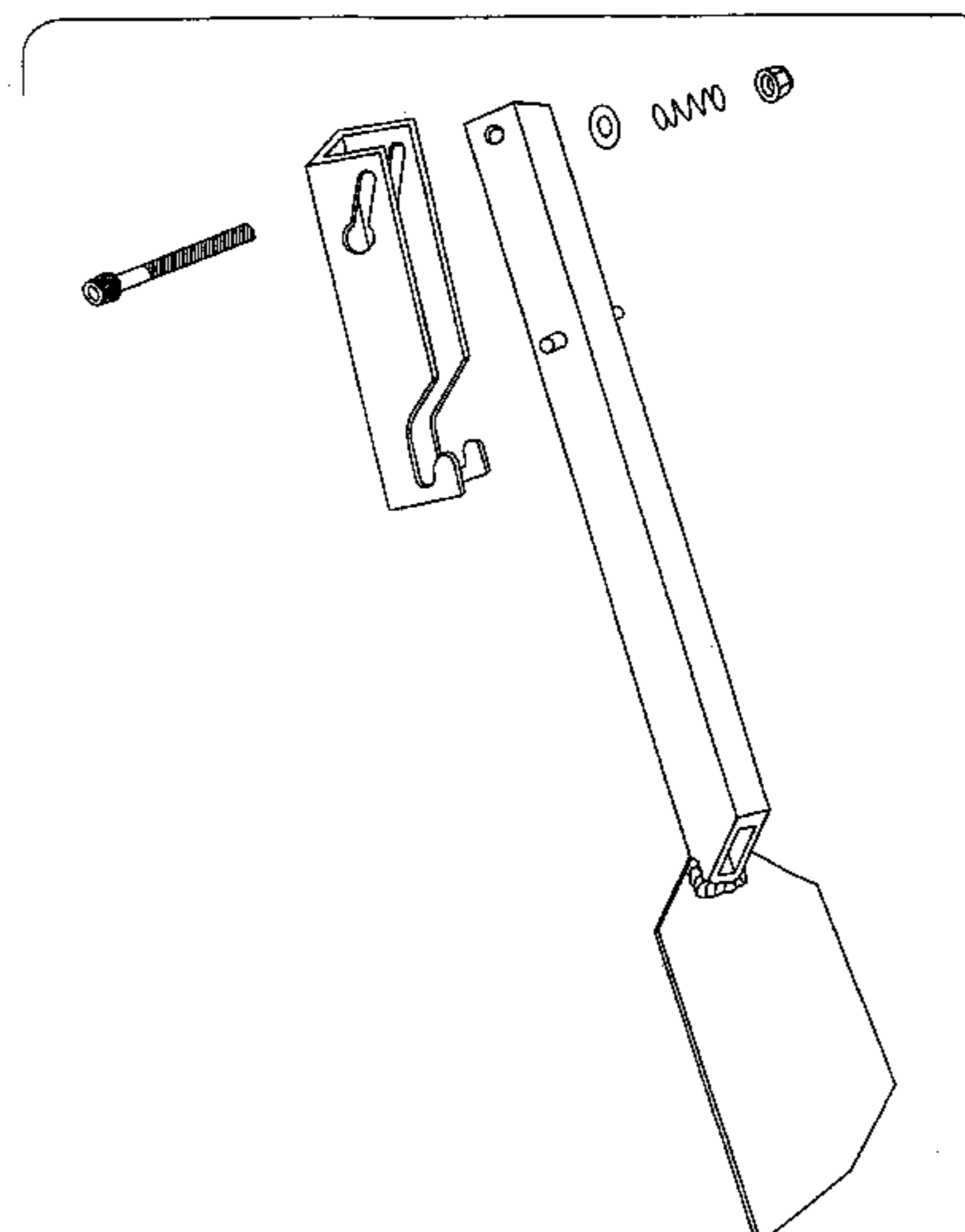
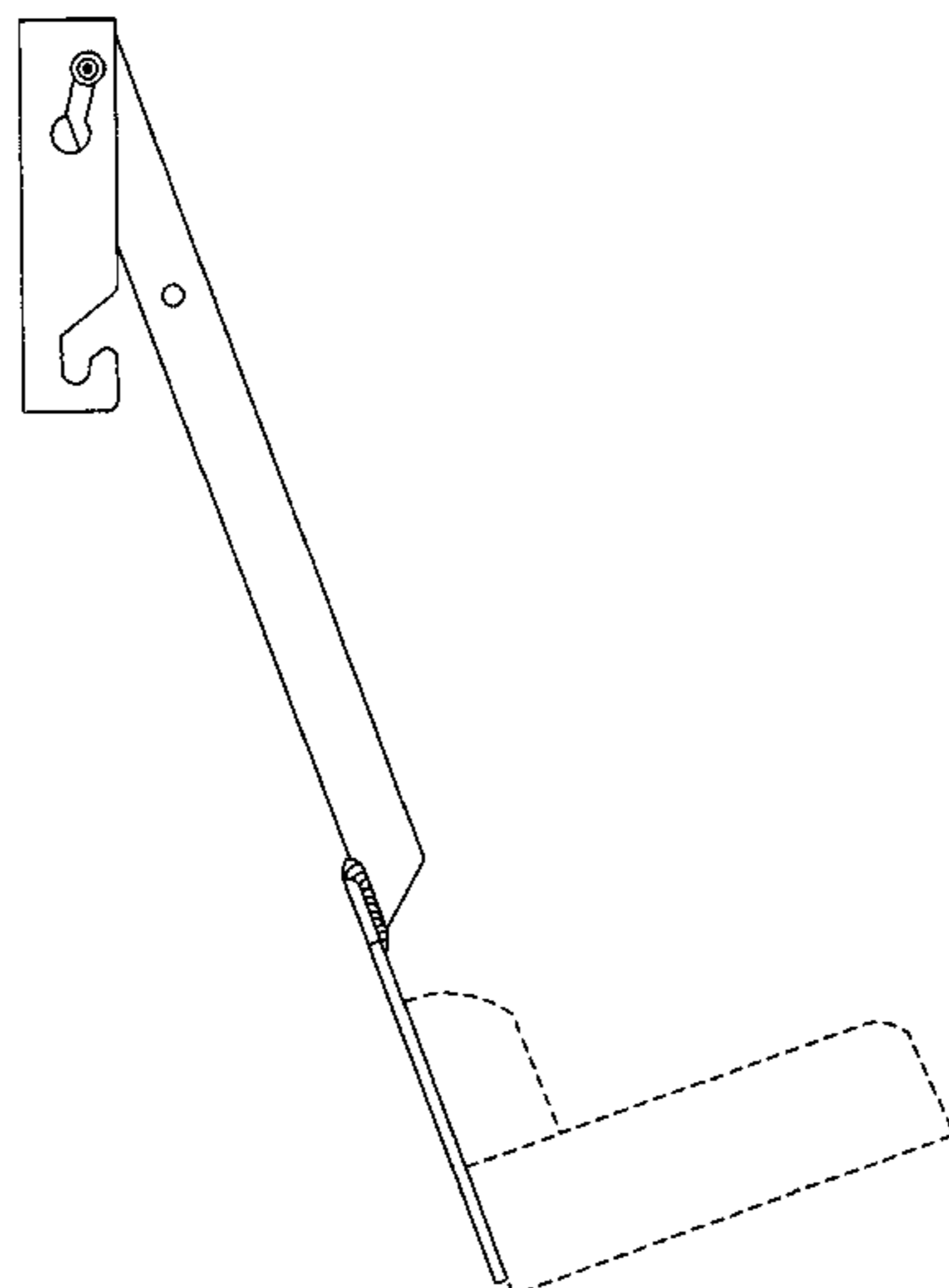
FIG. 12 is a left side view of the invention with its mounting arm and bolt in unlocked positions and the mounting arm in an up position.

FIG. 13 is a right side view of the invention with its arm in a locked up position.

FIG. 14 is a left side view of the invention with its arm in a locked up position; and,

FIG. 15 is an exploded view of the invention.

1 Claim, 13 Drawing Sheets



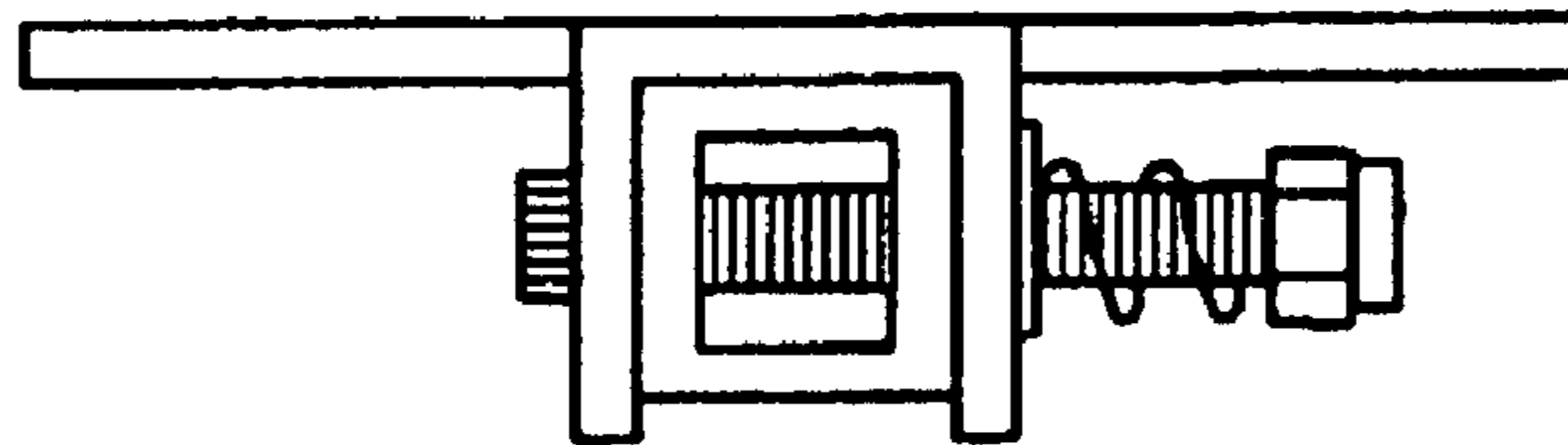


FIG. 1

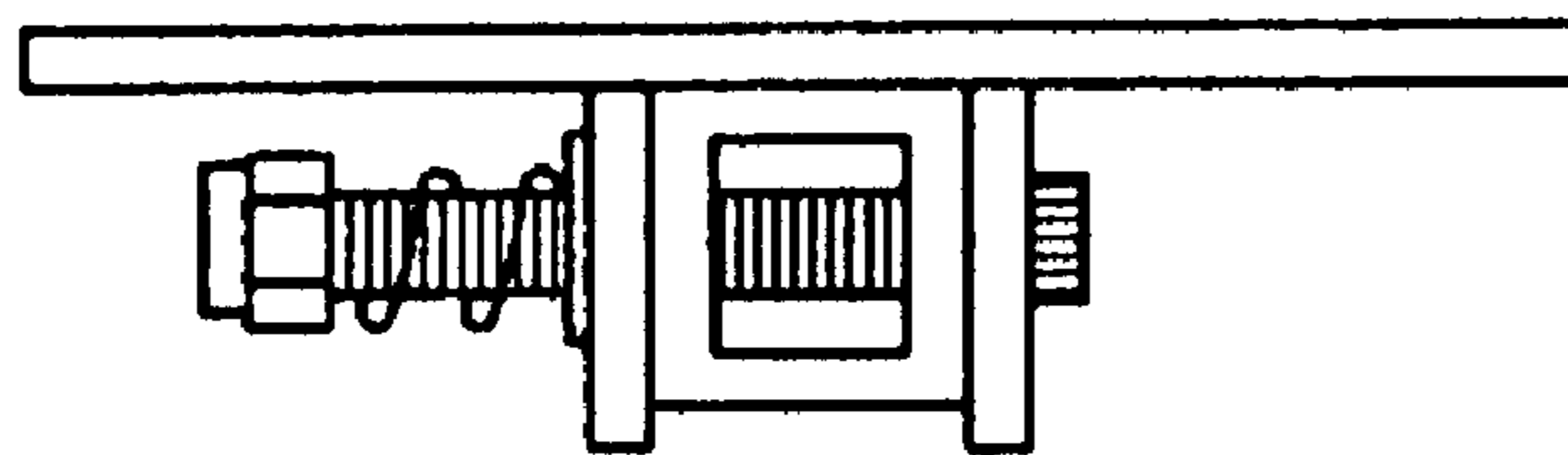


FIG. 2

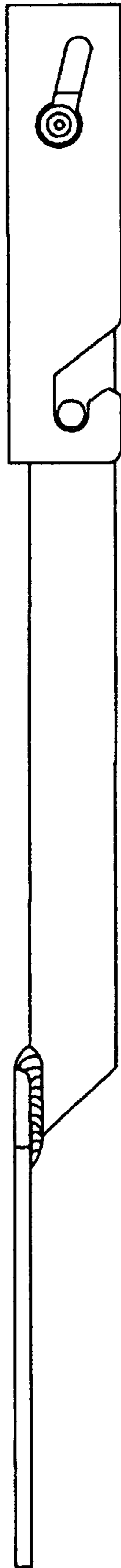


FIG. 3

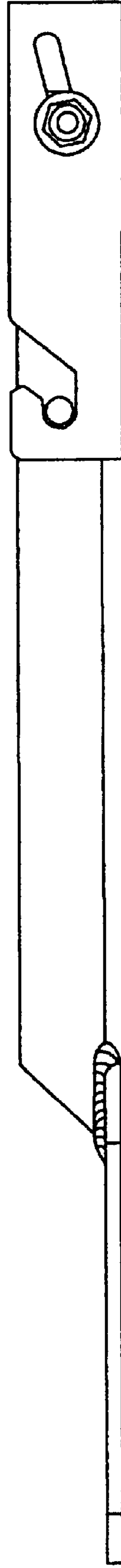


FIG. 4

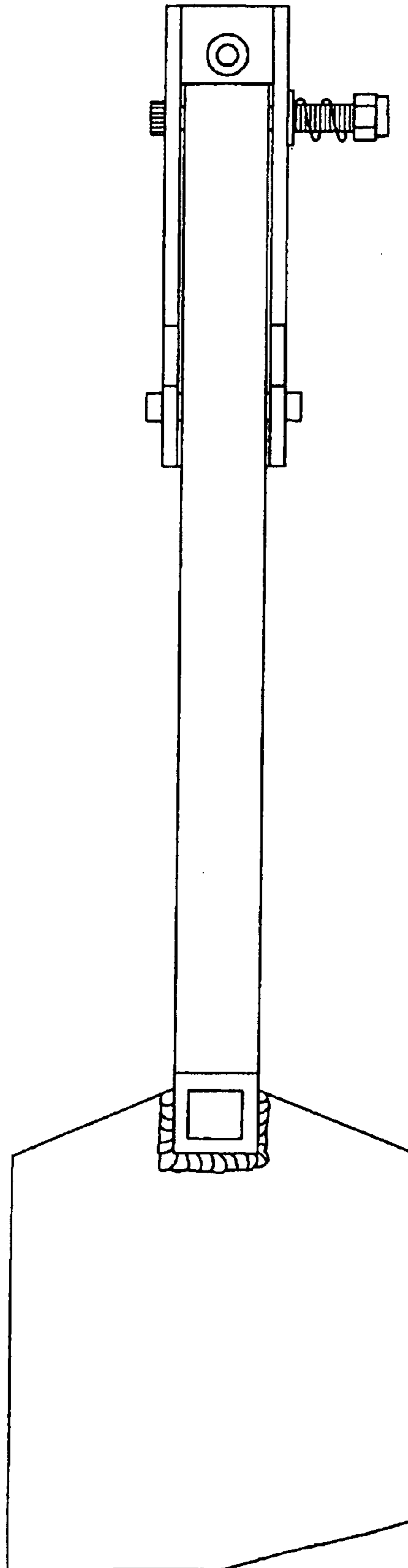


FIG. 5

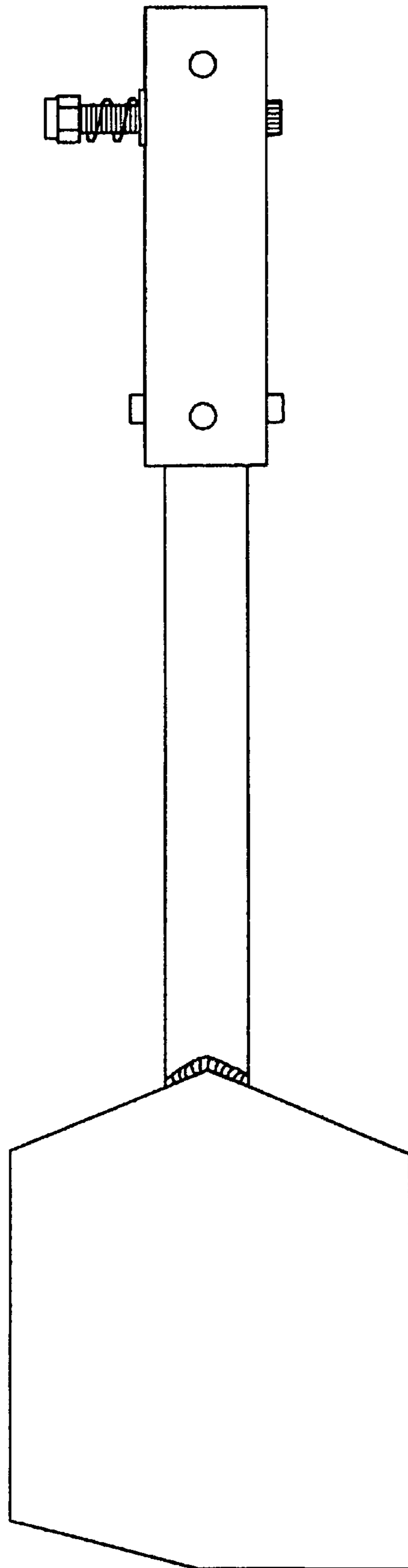


FIG. 6

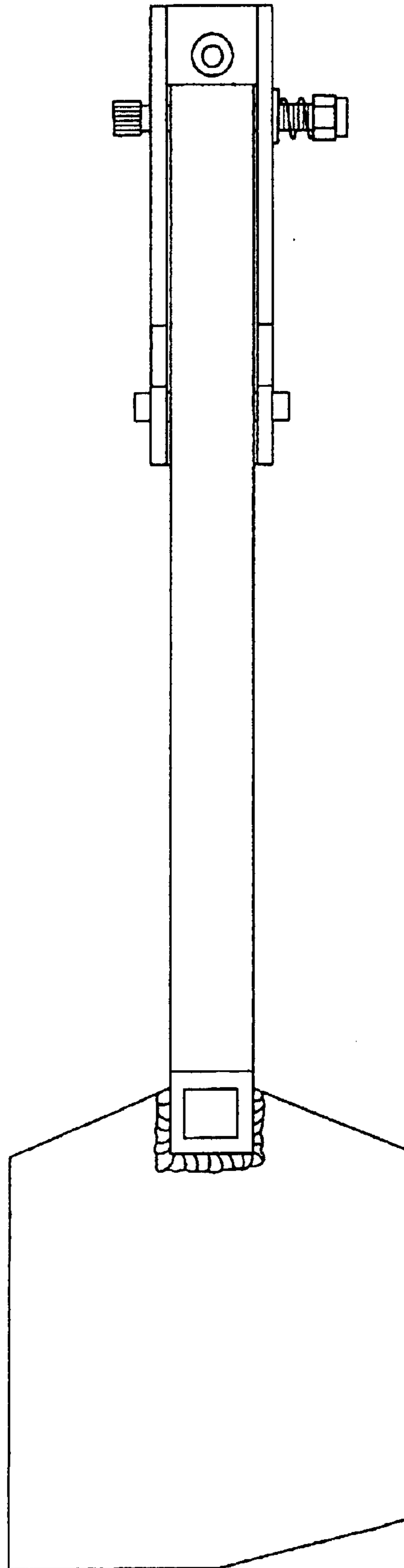


FIG. 7

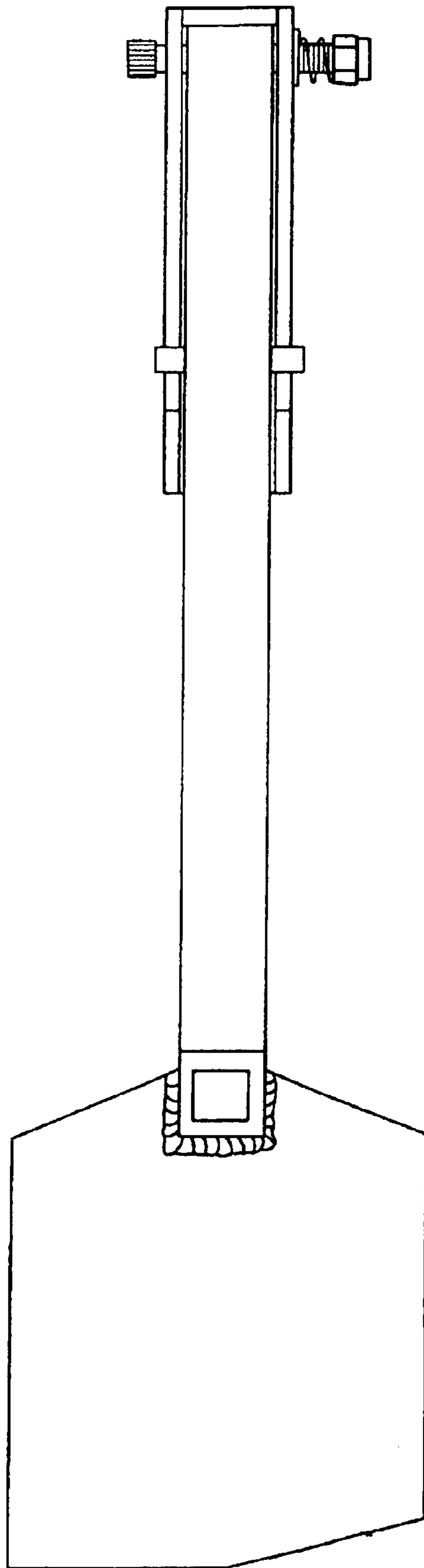


FIG. 8

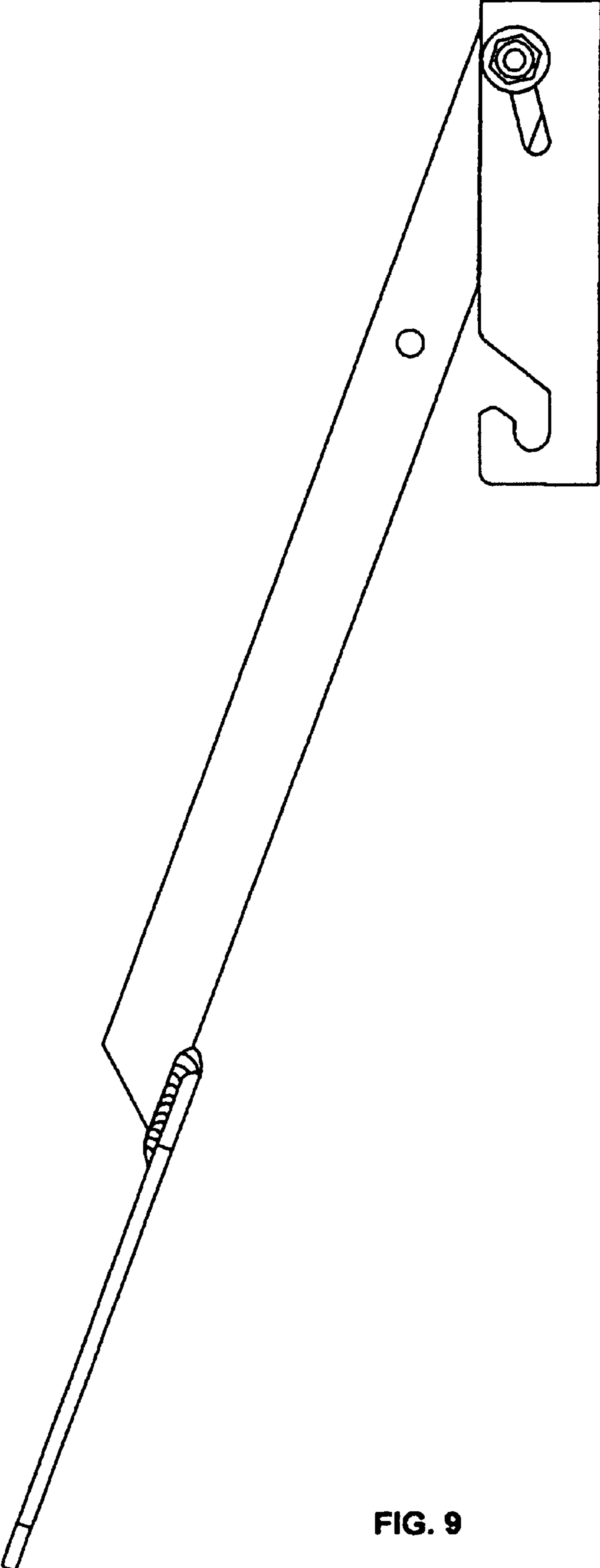


FIG. 9

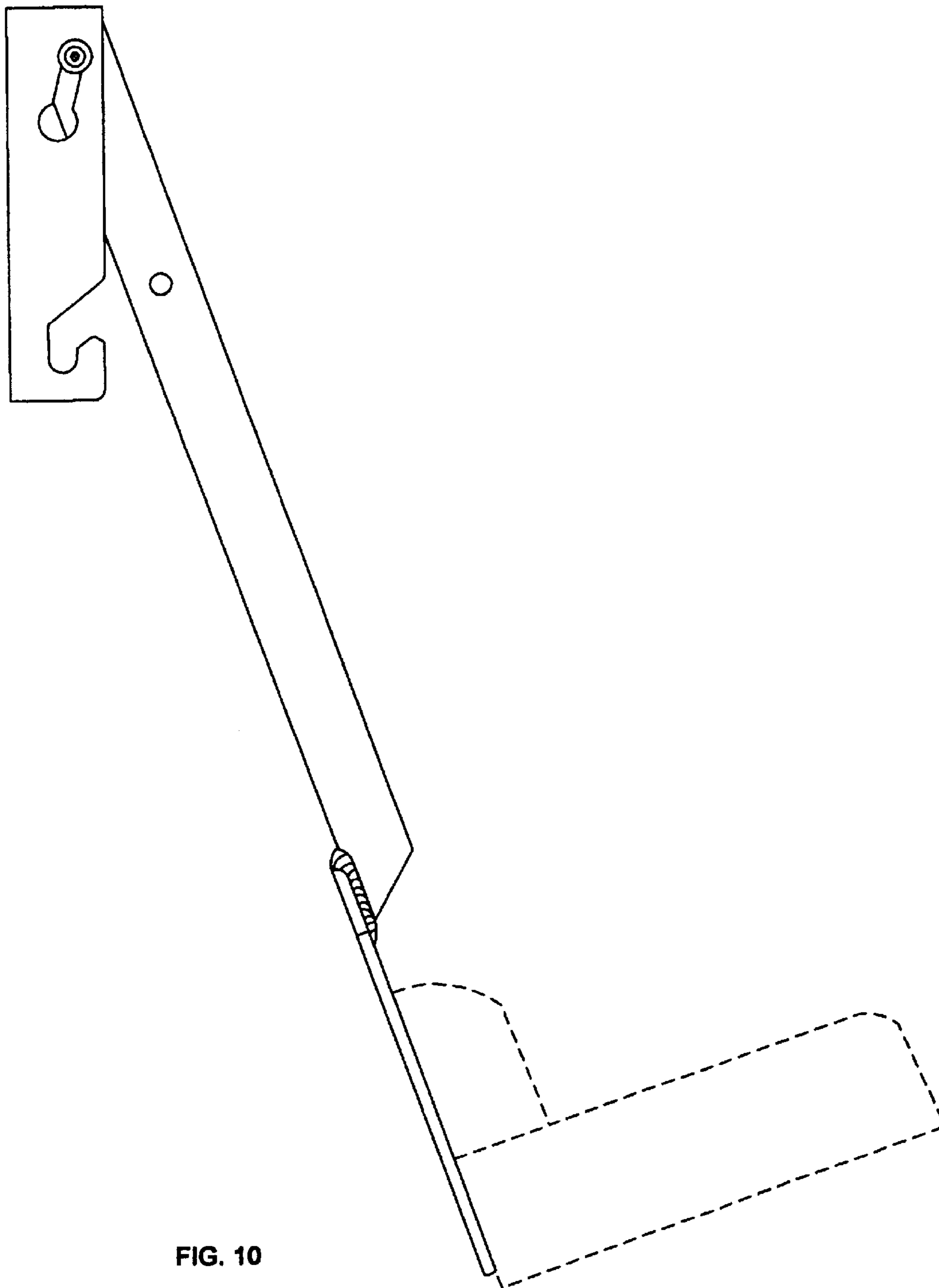


FIG. 10

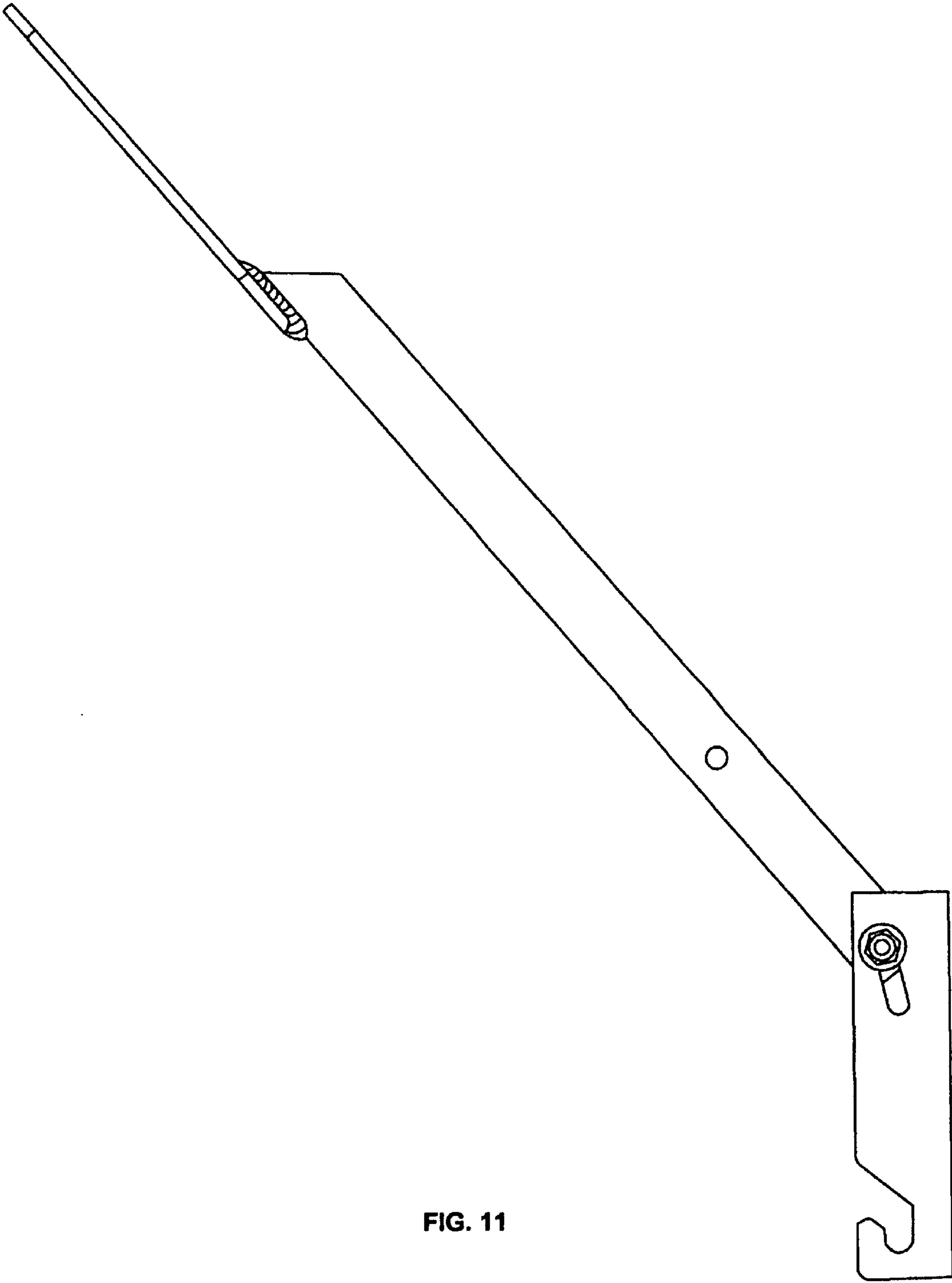


FIG. 11

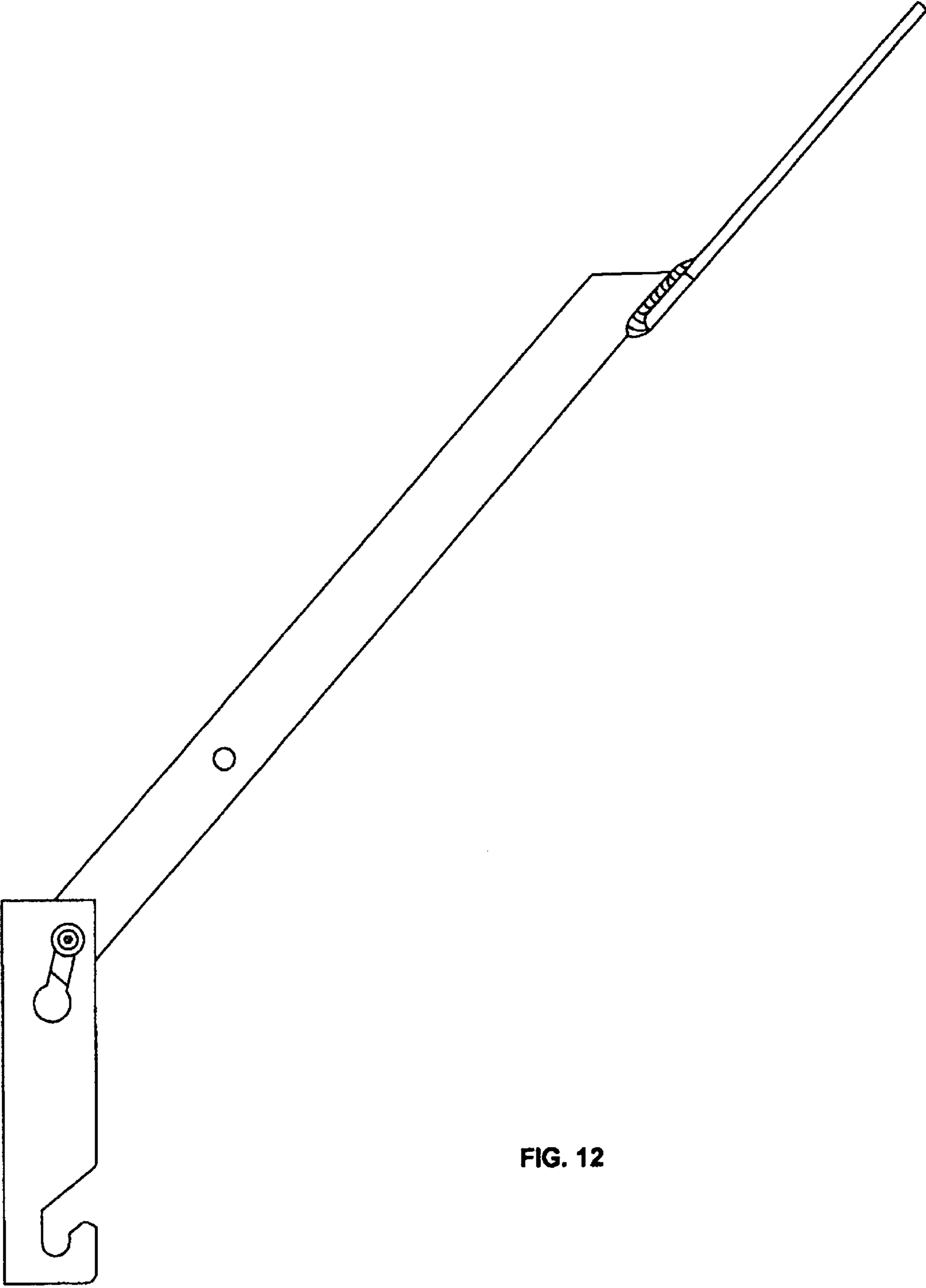


FIG. 12

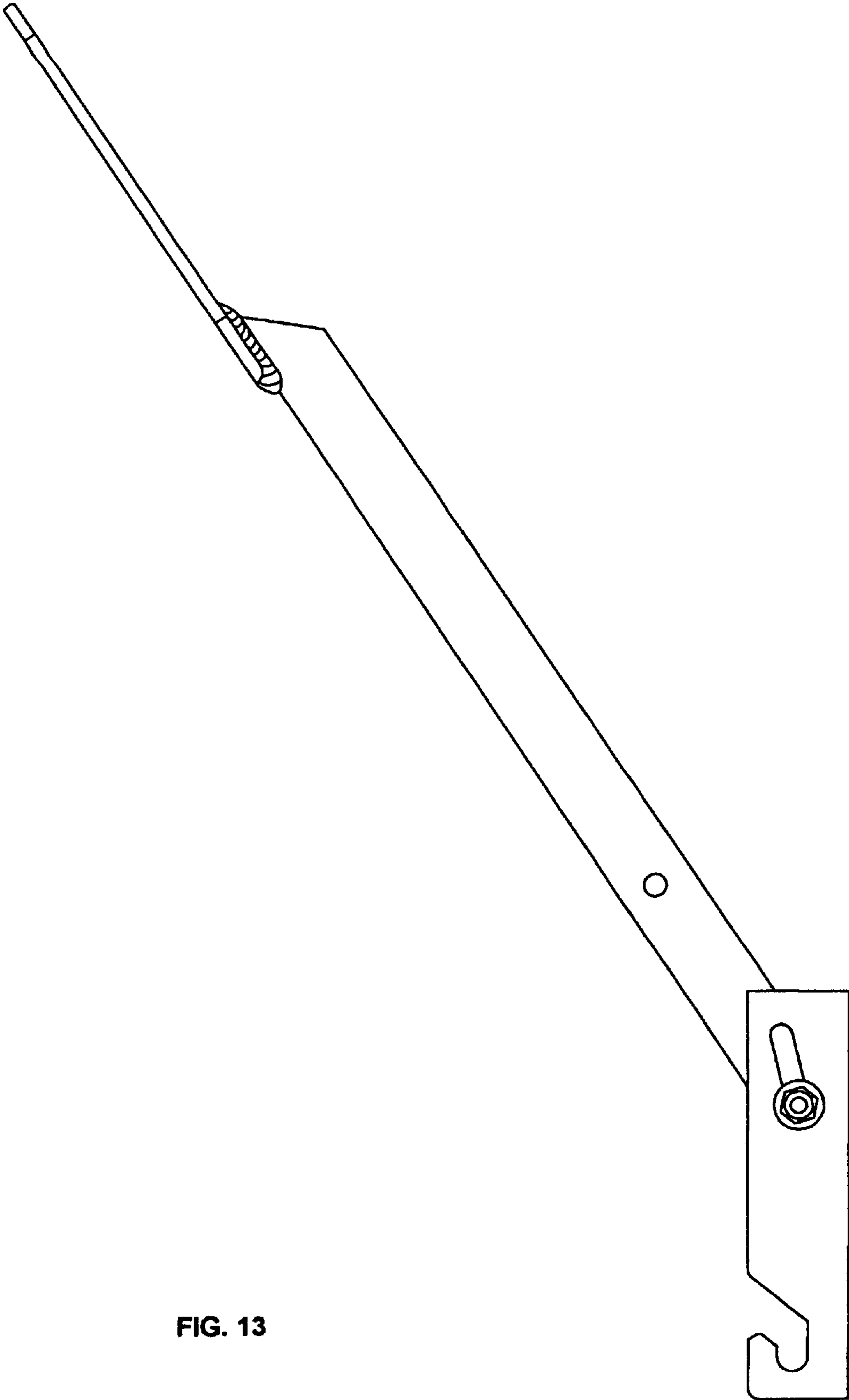


FIG. 13

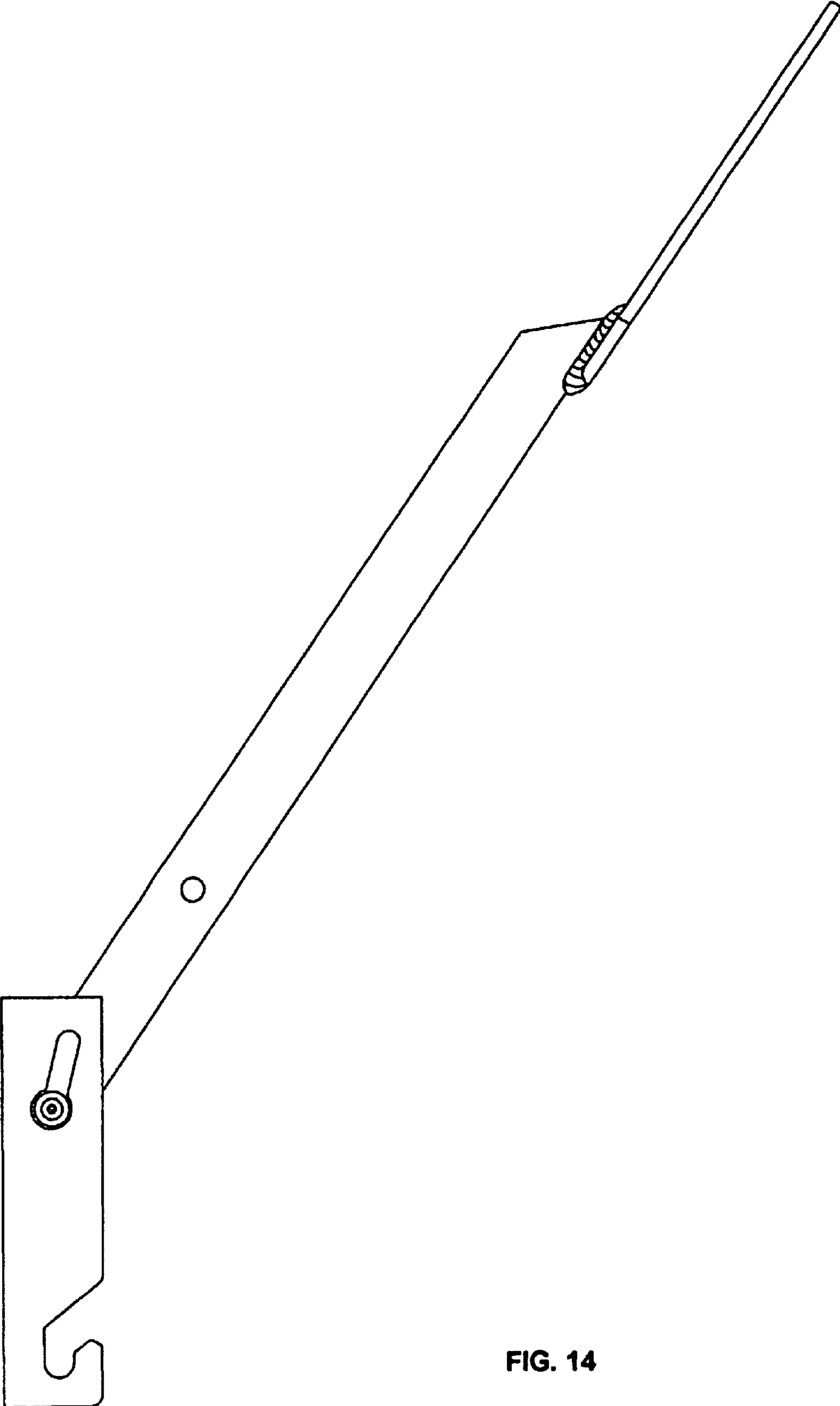


FIG. 14

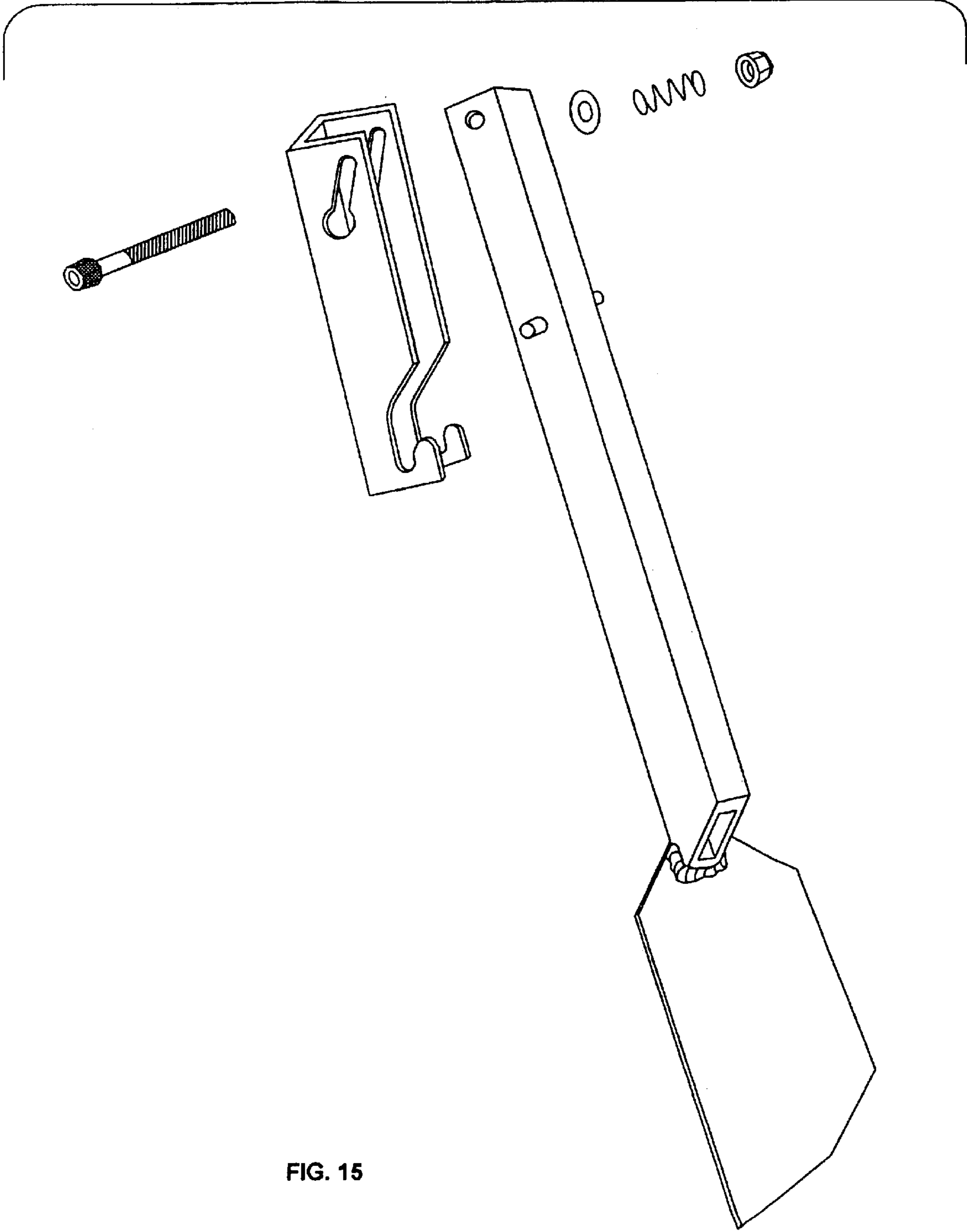


FIG. 15