

US00D543139S

(12) **United States Design Patent**
Kraus

(10) **Patent No.:** **US D543,139 S**

(45) **Date of Patent:** **** May 22, 2007**

(54) **INSTRUMENT CLUSTER FOR A VEHICLE**

(75) Inventor: **Ulrich Kraus**, Trossingen (DE)

(73) Assignee: **Siemens AG**, München (DE)

(**) Term: **14 Years**

(21) Appl. No.: **29/196,996**

(22) Filed: **Jan. 9, 2004**

(30) **Foreign Application Priority Data**

Aug. 6, 2003 (DE) 4 03 04 968

(51) **LOC (8) Cl.** **12-16**

(52) **U.S. Cl.** **D12/192**

(58) **Field of Classification Search** D12/192;
D10/46, 98, 102; D34/35; 296/190.01, 190.02,
296/190.03, 190.04, 190.05, 190.06, 190.07,
296/190.08, 190.09, 70; 180/90; 280/750-752
See application file for complete search history.

(56) **References Cited**

U.S. PATENT DOCUMENTS

1,407,751 A * 2/1922 Jeffers 362/23
1,840,494 A * 1/1932 Eshbaugh 248/27.1
3,282,622 A * 11/1966 Komenda 180/90
D440,925 S * 4/2001 Pfeiffer D12/192
D483,309 S * 12/2003 Wyszogrod D12/192

D489,302 S * 5/2004 Tuzar D12/192
D491,504 S * 6/2004 Sato et al. D12/192
D493,397 S * 7/2004 Tuzar et al. D12/192
D494,905 S * 8/2004 Kraus et al. D12/192
D514,041 S * 1/2006 Pfeiffer D12/192
D516,482 S * 3/2006 Pfeiffer et al. D12/192

* cited by examiner

Primary Examiner—Caron D. Veynar

Assistant Examiner—Katrina A. Kile

(74) *Attorney, Agent, or Firm*—Siemens AG

(57) **CLAIM**

The ornamental design for an instrument cluster for a vehicle, as shown and described.

DESCRIPTION

FIG. 1 is a front view of an instrument cluster for a vehicle showing my new design;

FIG. 2 is a front view of a second embodiment;

FIG. 3 is a top view of the first and second embodiment thereof;

FIG. 4 is a left side view of the first and second embodiment thereof;

FIG. 5 is a right side view of the first and second embodiment thereof; and,

FIG. 6 is a bottom view of the first and second embodiment thereof.

1 Claim, 2 Drawing Sheets

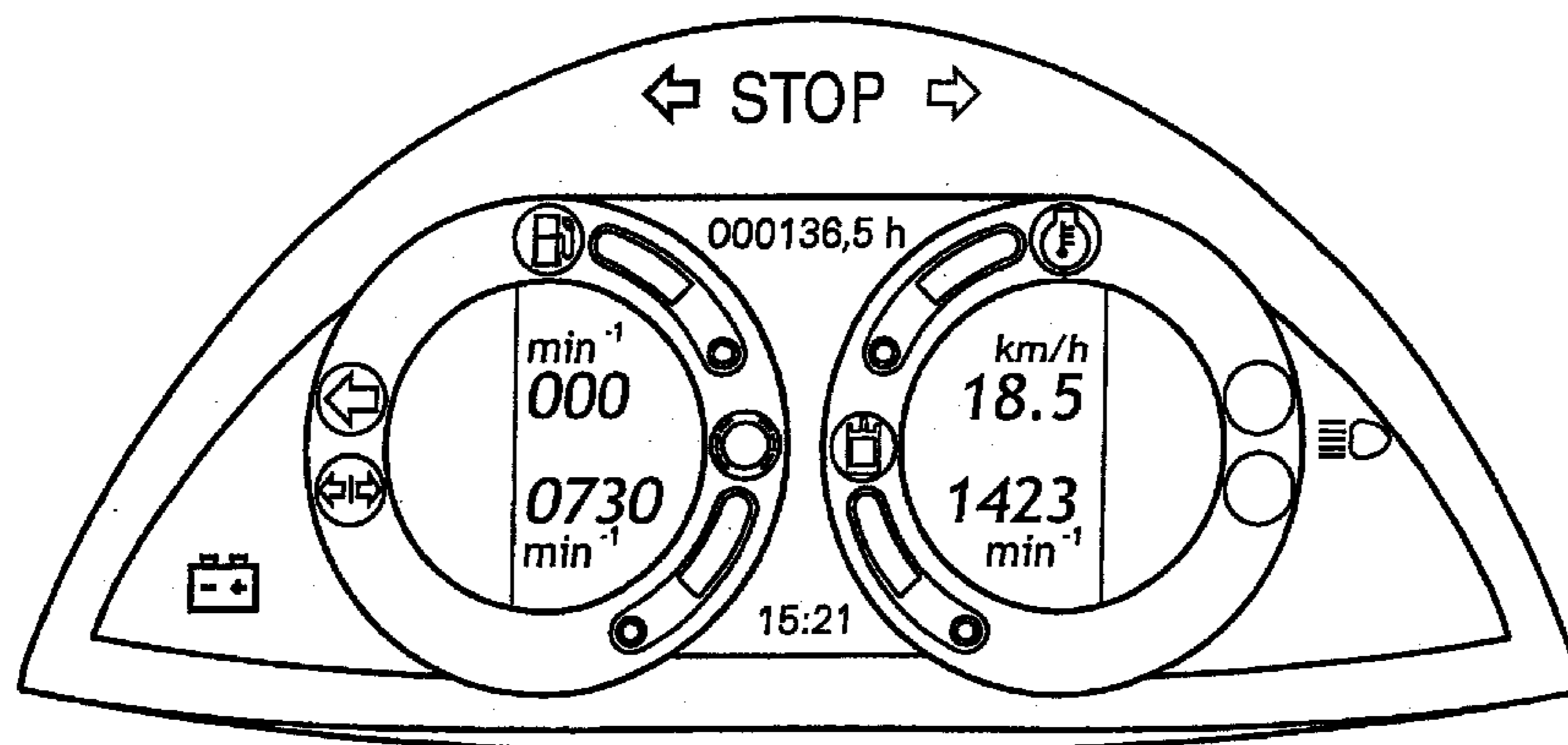
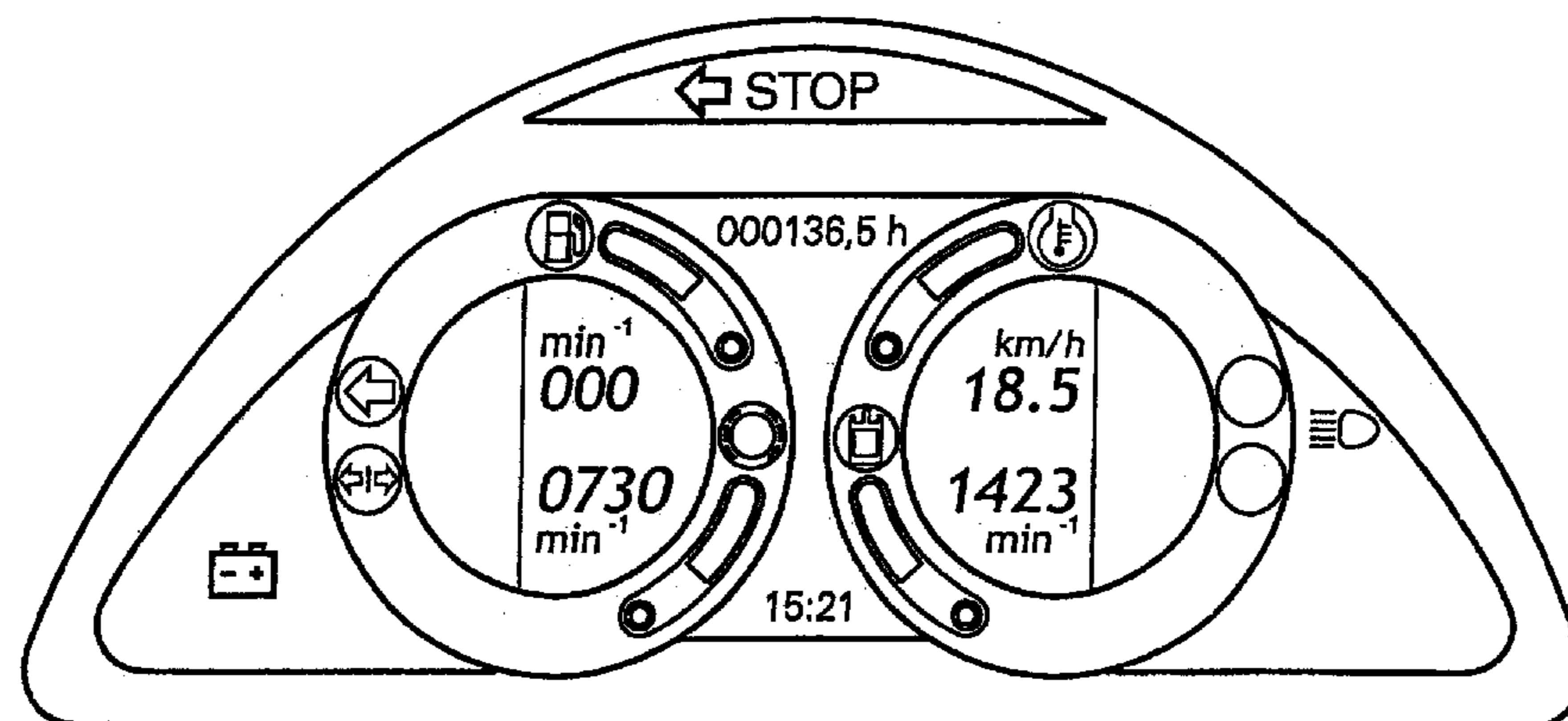


FIG 1

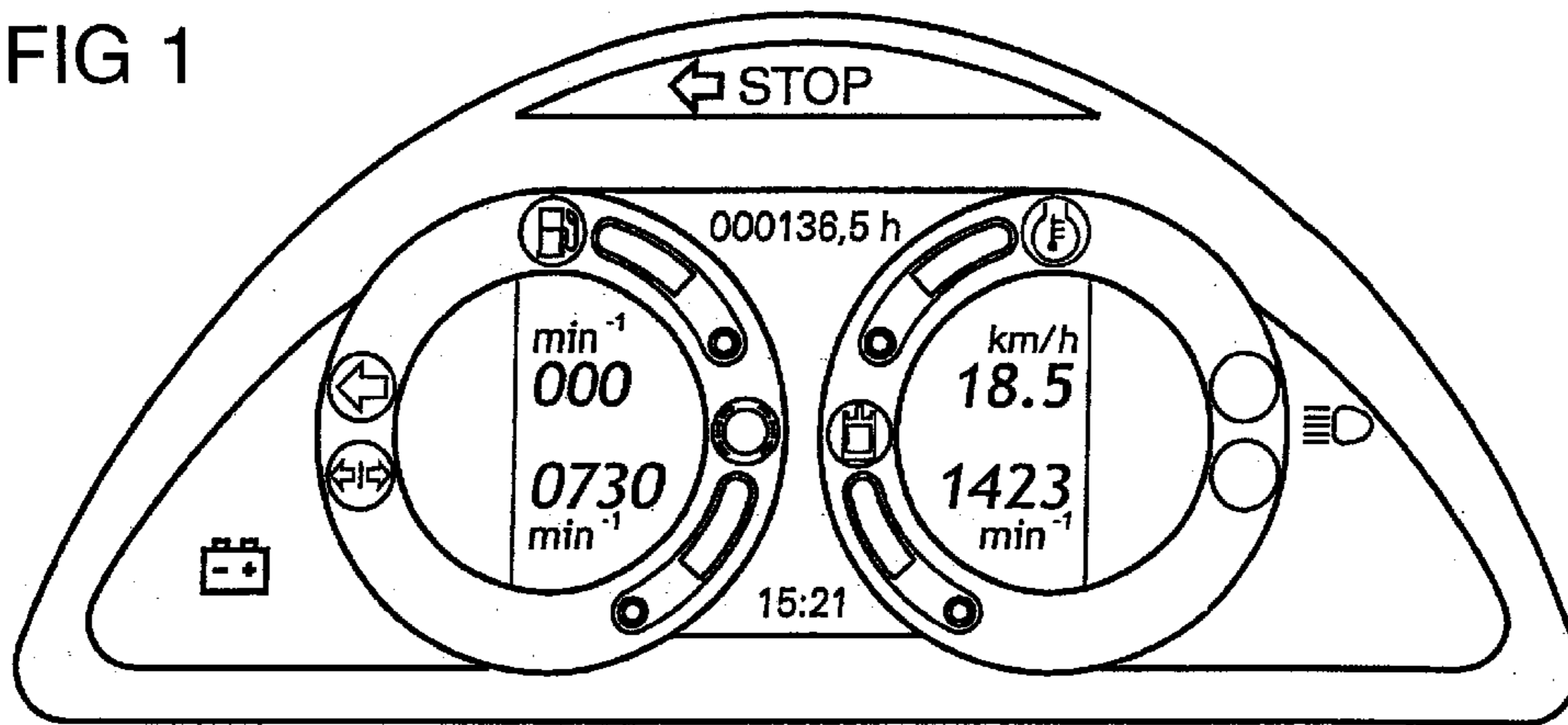


FIG 2

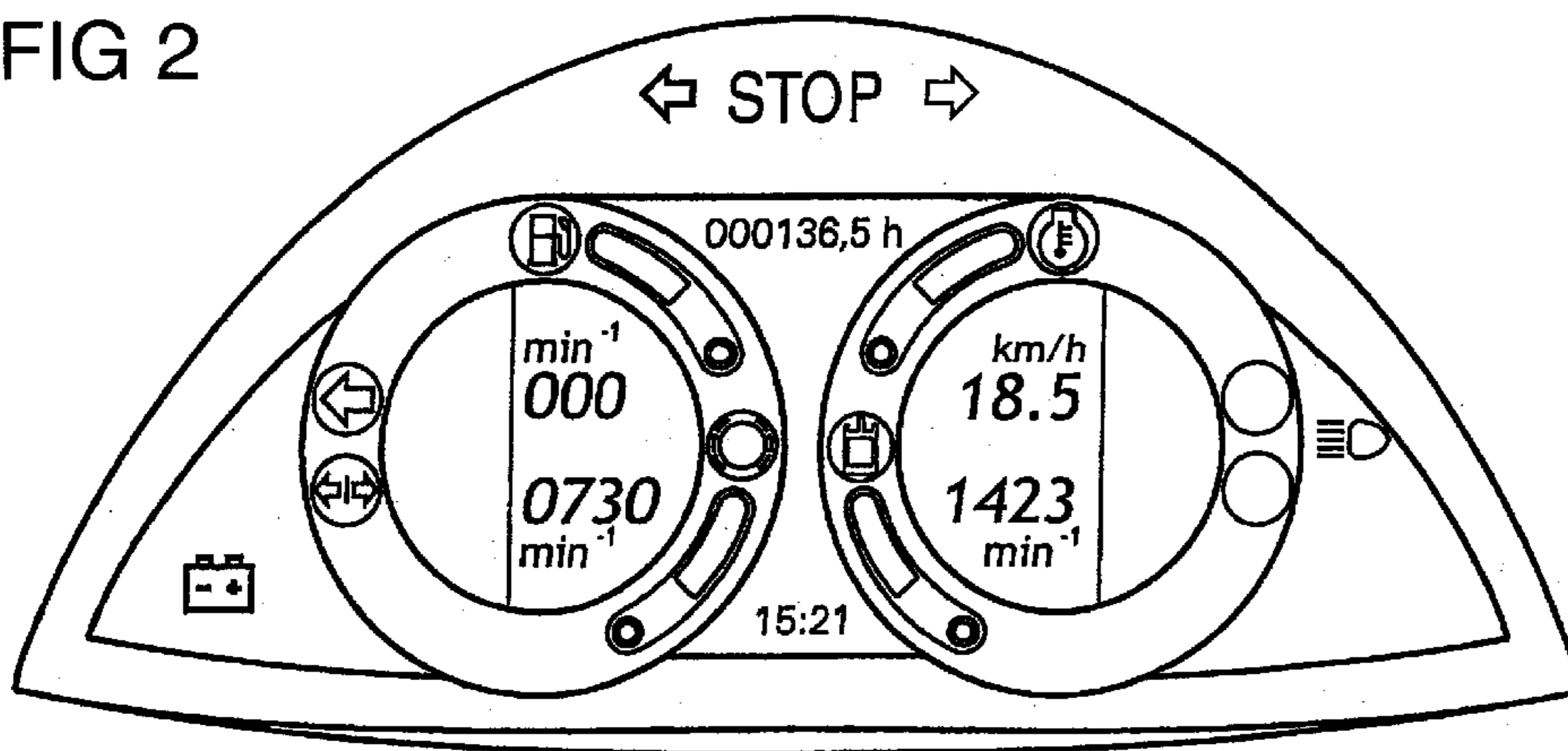


FIG 3

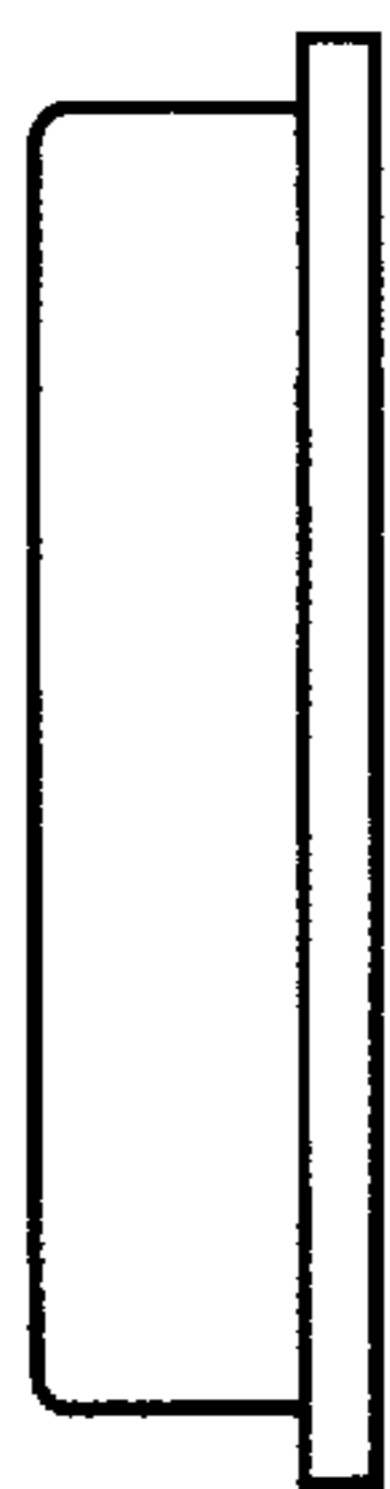
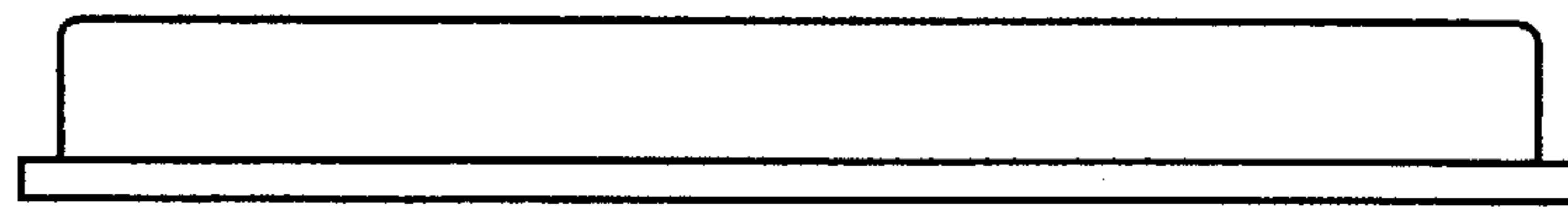


FIG 4

FIG 5



FIG 6

