

US00D543134S

(12) **United States Design Patent** (10) **Patent No.:** **US D543,134 S**
Cox et al. (45) **Date of Patent:** **** May 22, 2007**

(54) **POTTING TRAY**

(76) Inventors: **L. Courtney Cox**, 1406 Dogwood La.,
Wenatchee, WA (US) 98801; **Mary
Joan Brown**, 23842 Alicia Pkwy.,
#260, Mission Viejo, CA (US) 92691

(**) Term: **14 Years**

(21) Appl. No.: **29/241,358**

(22) Filed: **Oct. 26, 2005**

(51) **LOC (8) Cl.** **11-02**

(52) **U.S. Cl.** **D11/156; D7/554.3**

(58) **Field of Classification Search** D11/143-149,
D11/152-156; D6/403, 404, 556-558; D7/515,
D7/518, 521, 523, 549, 554.3, 562, 564;
D19/77, 80-82, 84, 85; D26/9, 16; 47/32.7,
47/33, 39, 41.01, 41, 41.12-41.15, 44-47,
47/65.5, 66.1, 66.6, 66.7, 67-71

See application file for complete search history.

(56) **References Cited**

U.S. PATENT DOCUMENTS

- D173,318 S * 10/1954 Levenhagen D7/554.3
- D173,319 S * 10/1954 Levenhagen D7/554.3
- 2,777,626 A * 1/1957 French D7/545
- D384,778 S * 10/1997 Powers et al. D7/554.3
- D415,656 S * 10/1999 Henry D7/554.3
- D423,983 S * 5/2000 Goldman et al. D11/143
- D432,866 S * 10/2000 Harrison D7/545

OTHER PUBLICATIONS

Product data sheet (i.e. sales or company literature): “Argee Corporation: Garden Supply, Homeowner Products, Salad Spinner, Outdoor Lighting System, The Table-Top Gar-

dener™ Portable Potting Tray” datasheet [online]. Argee Corporation, Santee, California, Updated Jan. 31, 2006 [retrieved on Jan. 31, 2006]. Retrieved from the Internet:<URL:http://www.argeecorp.com/HTML/table-top.htm>; 5 pgs.

Product data sheet (i.e. sales or company literature): “Martha Stewart Living: Program Guide, Gardening, Sep. 18, 2000, Project: Tabletop Potting Box with Paul” datasheet [online]. Martha Stewart Living Omnimedia, New York, New York, Sep. 2000 [retrieved on Sep. 18, 2000]. Retrieved from the Internet:<URL:../TVS5126.asp?intView=1&id-ContentType=2&dtDateSelected=9%2F18%2F00&idContentType_Menu=0&idSchedule-Type=>; 1 pg.

* cited by examiner

Primary Examiner—Robert M. Spear

Assistant Examiner—Garth Rademaker

(74) *Attorney, Agent, or Firm*—Muetting, Raasch, & Gebhardt, P.A.

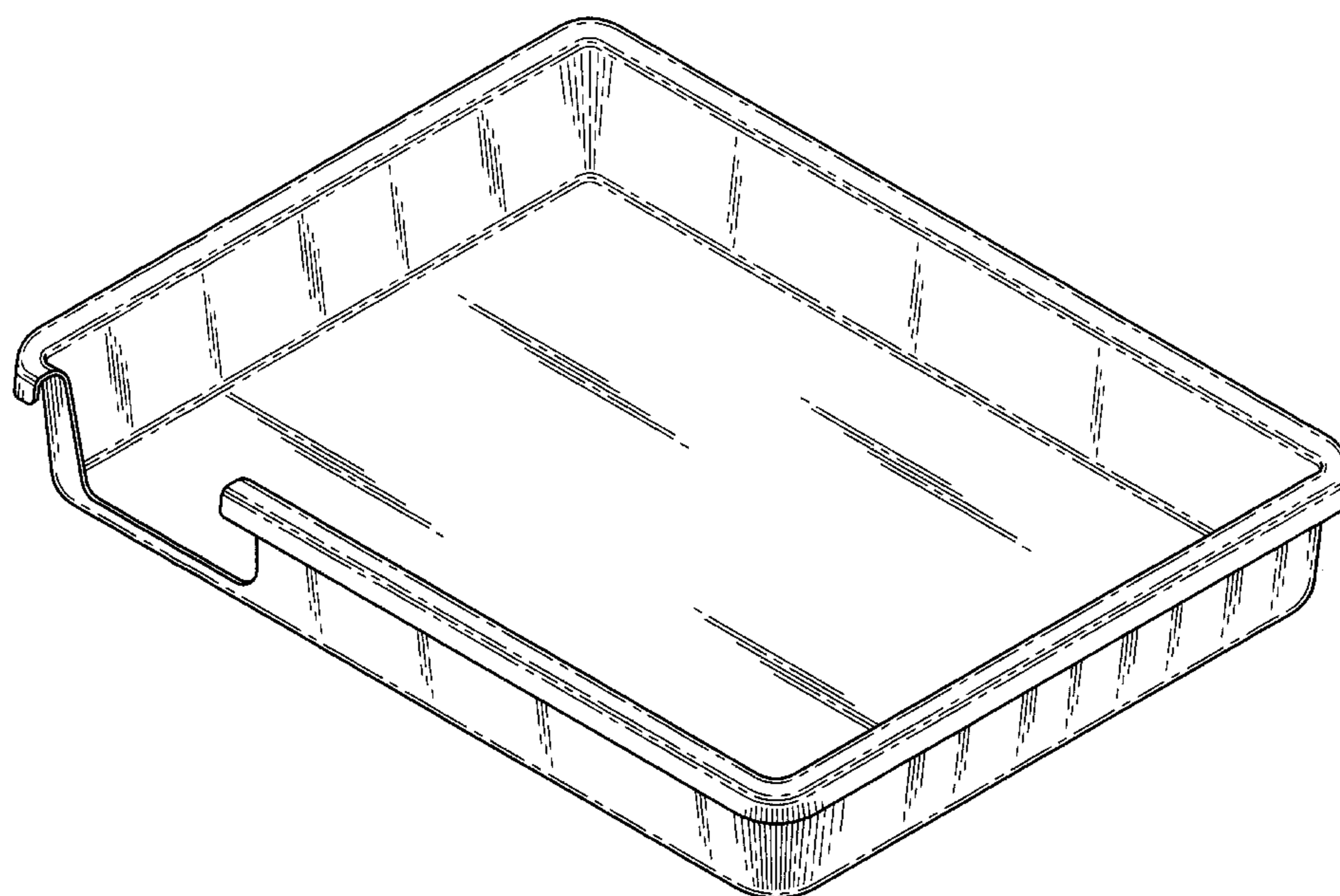
(57) **CLAIM**

The ornamental design for a potting tray, as shown and described.

DESCRIPTION

FIG. 1 is a perspective view of a potting tray, showing our new design;
FIG. 2 is a top plan view thereof;
FIG. 3 is a front elevational view thereof;
FIG. 4 is a rear elevational view thereof;
FIG. 5 is a bottom plan view thereof;
FIG. 6 is left side elevational view thereof; and,
FIG. 7 is a right side elevational view thereof.

1 Claim, 4 Drawing Sheets



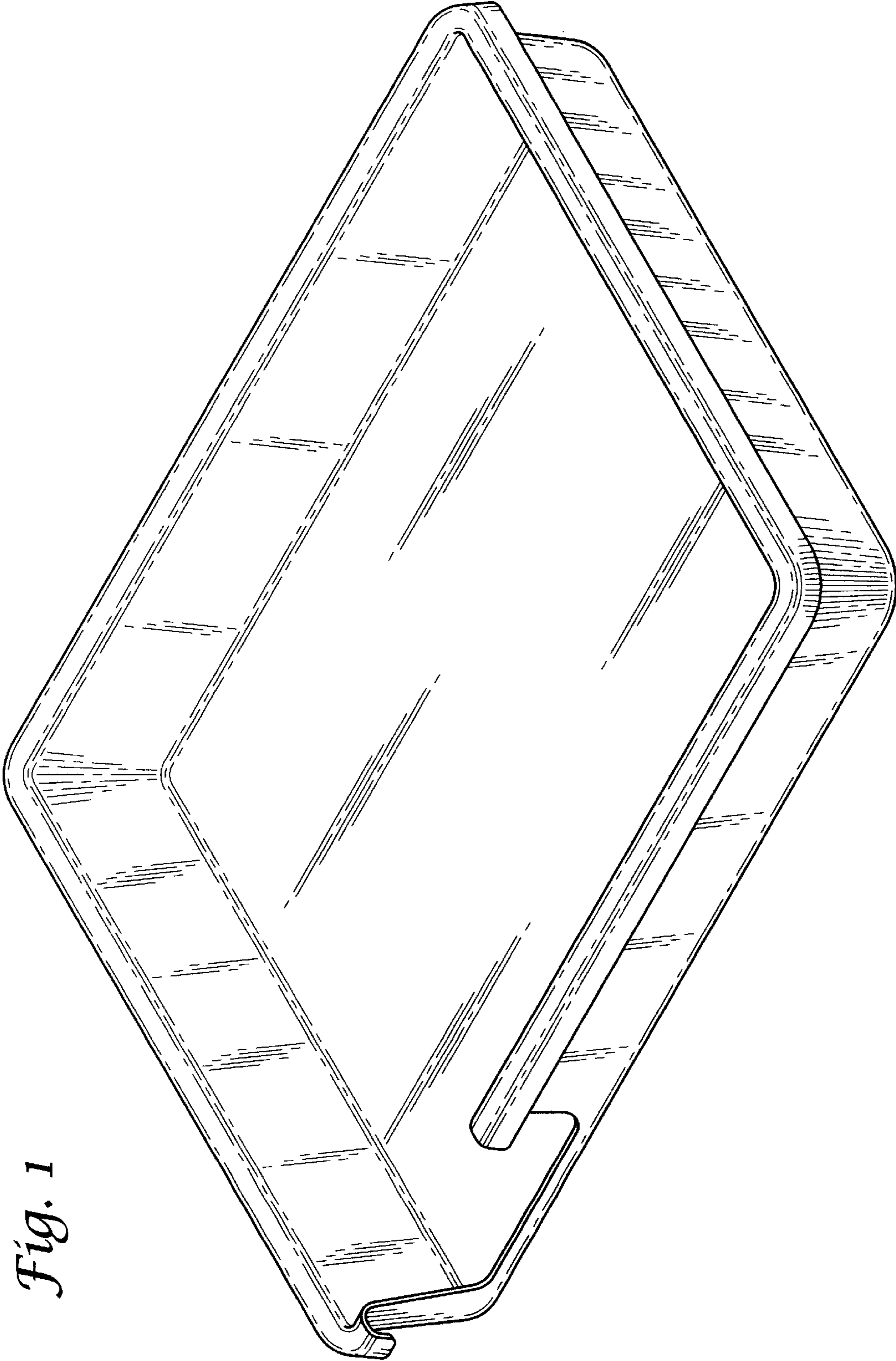


Fig. 1



Fig. 2

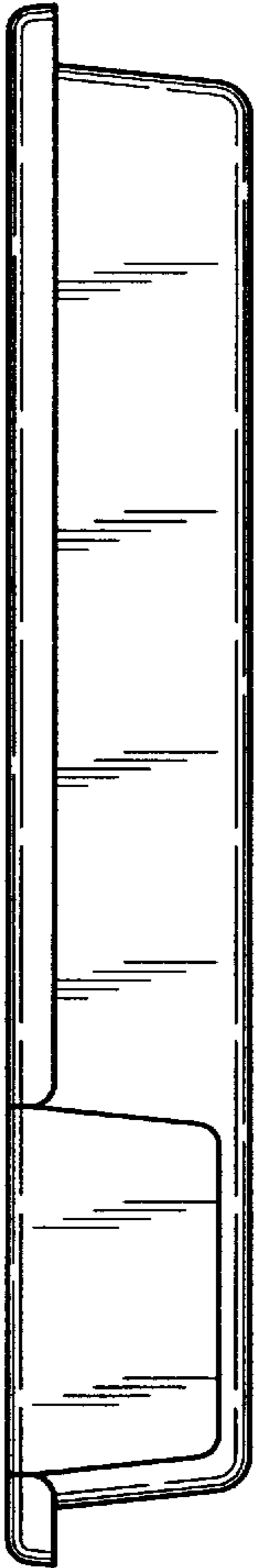


Fig. 3

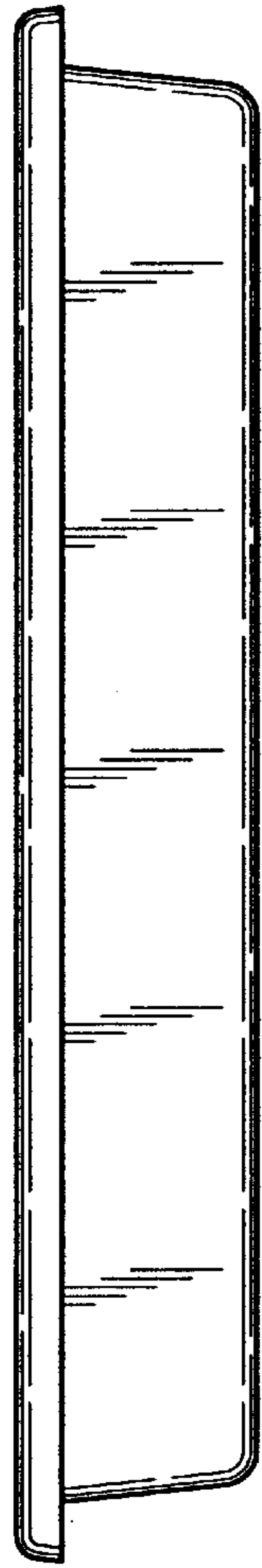


Fig. 4

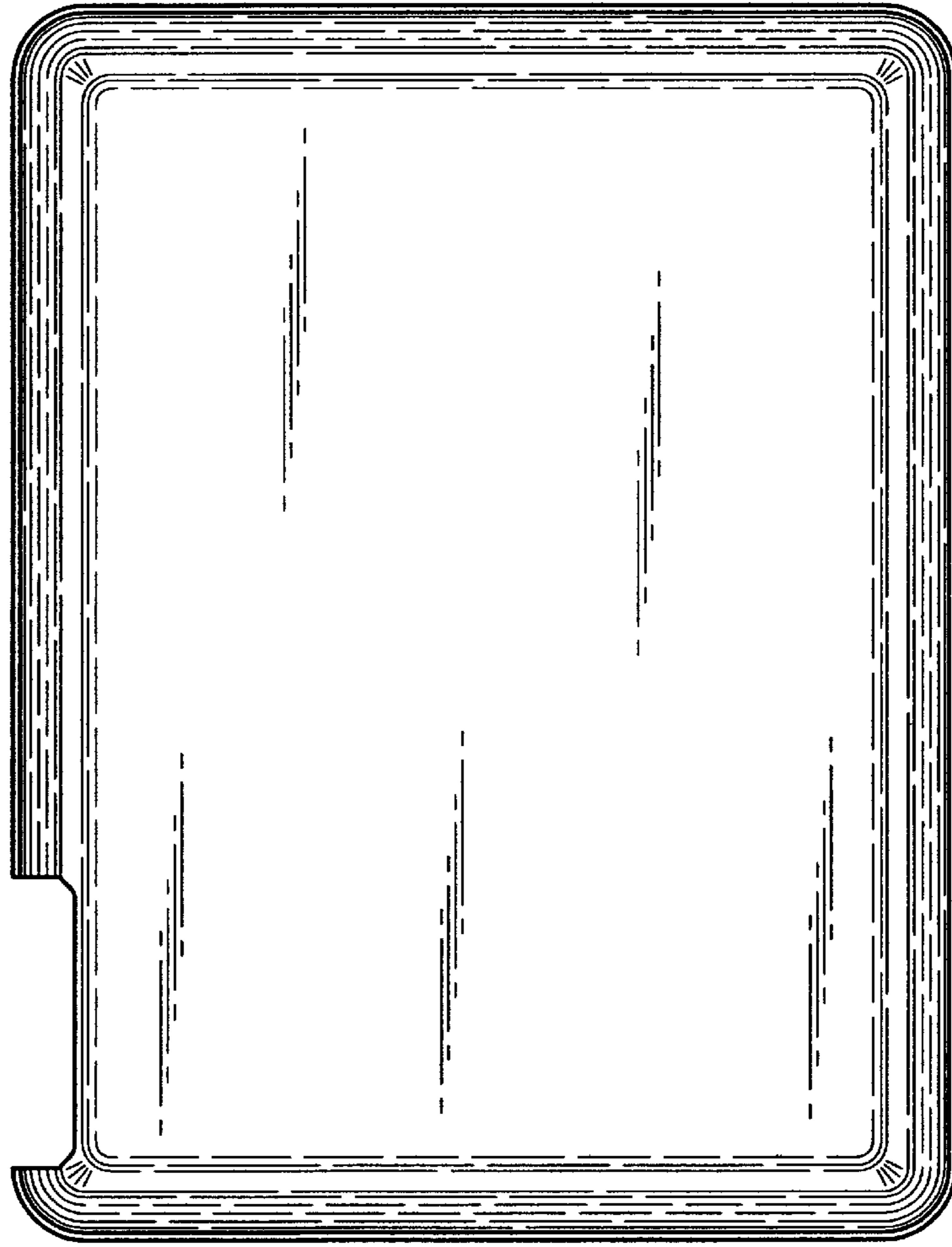


Fig. 5

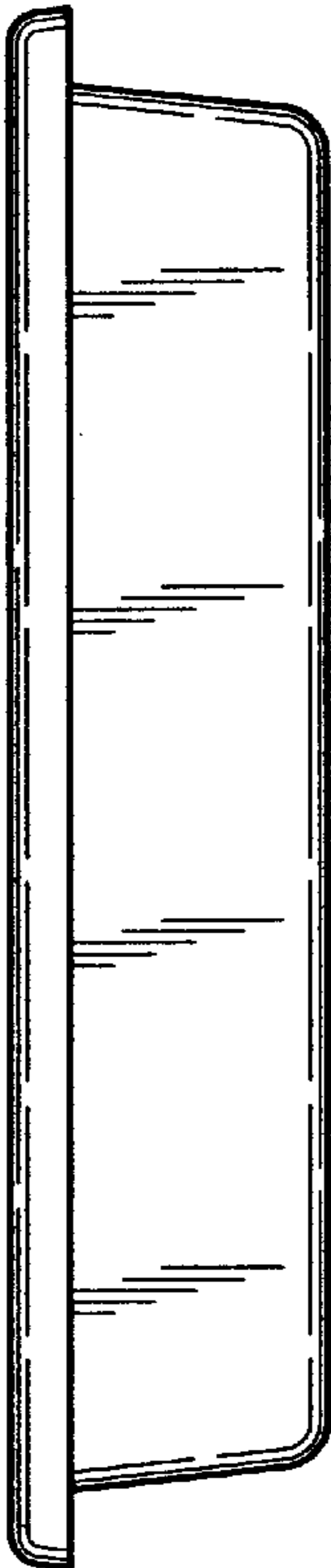


Fig. 6

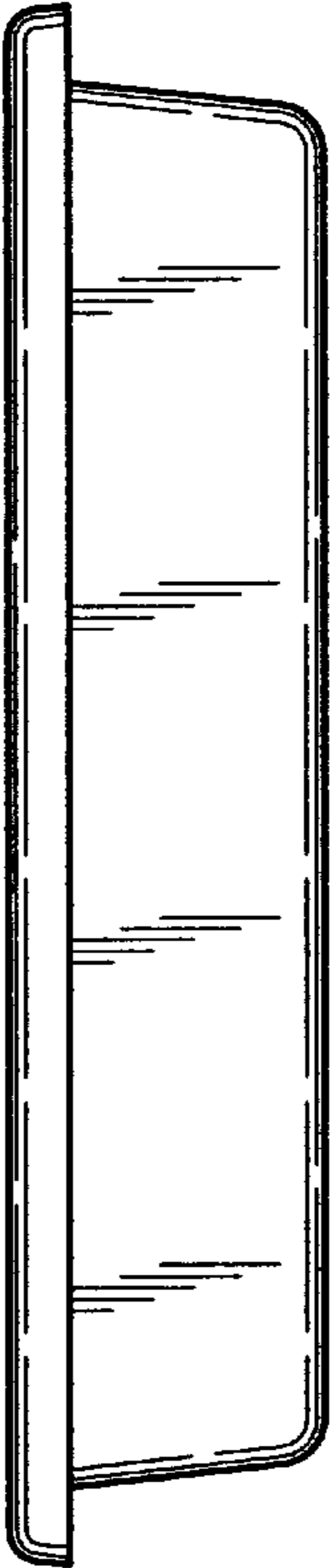


Fig. 7