



US00D543129S

(12) **United States Design Patent**
Buzzelli

(10) **Patent No.:** **US D543,129 S**

(45) **Date of Patent:** **** May 22, 2007**

(54) **BOUQUET HOLDER**

(75) Inventor: **Christine Buzzelli**, Romeoville, IL
(US)

(73) Assignee: **Wilton Industries, Inc.**, Woodridge, IL
(US)

(**) Term: **14 Years**

(21) Appl. No.: **29/225,219**

(22) Filed: **Mar. 10, 2005**

(51) **LOC (8) Cl.** **11-02**

(52) **U.S. Cl.** **D11/43**

(58) **Field of Classification Search** D11/142-149,
D11/152-156; D6/553, 556; D7/503, 509,
D7/514, 560, 564, 565, 571-581, 603; D9/516,
D9/549, 557-561, 600, 601, 643, 644, 653,
D9/655-664, 669, 712; D19/75, 77, 81, 84;
D26/9, 11; 47/41.01, 41.1, 41.12, 65.5, 66.1,
47/66.6, 66.7, 67, 69, 72; 215/376, 382, 387;
220/568, 574

See application file for complete search history.

(56) **References Cited**

U.S. PATENT DOCUMENTS

314,426	A	*	3/1885	Cardell	D11/143
D226,213	S	*	1/1973	Meyer	D11/147
D236,643	S	*	9/1975	Ross	D11/147
D247,616	S	*	3/1978	Meyer	D11/146
4,204,365	A	*	5/1980	Hirvi	47/41.01
4,566,221	A	*	1/1986	Kossin	47/41.12

D308,029	S	*	5/1990	Kladt	D11/147
5,134,858	A	*	8/1992	Abbondanzo	62/457.2
D349,663	S	*	8/1994	Spicer	D11/164
5,414,957	A	*	5/1995	Kenney	47/41.12
5,454,189	A	*	10/1995	Graham et al.	47/41.01
D386,715	S	*	11/1997	Graham et al.	D11/143
5,878,982	A	*	3/1999	Cumby et al.	248/27.8
6,289,631	B1	*	9/2001	Harshman et al.	47/41.12
6,393,762	B1	*	5/2002	Harshman et al.	47/41.12
D508,742	S	*	8/2005	van Bekhoven	D26/9
2002/0153457	A1	*	10/2002	Cumby	248/27.8

* cited by examiner

Primary Examiner—Robert M. Spear

Assistant Examiner—Garth Rademaker

(74) *Attorney, Agent, or Firm*—DLA Piper US LLP; R. Blake Johnston

(57) **CLAIM**

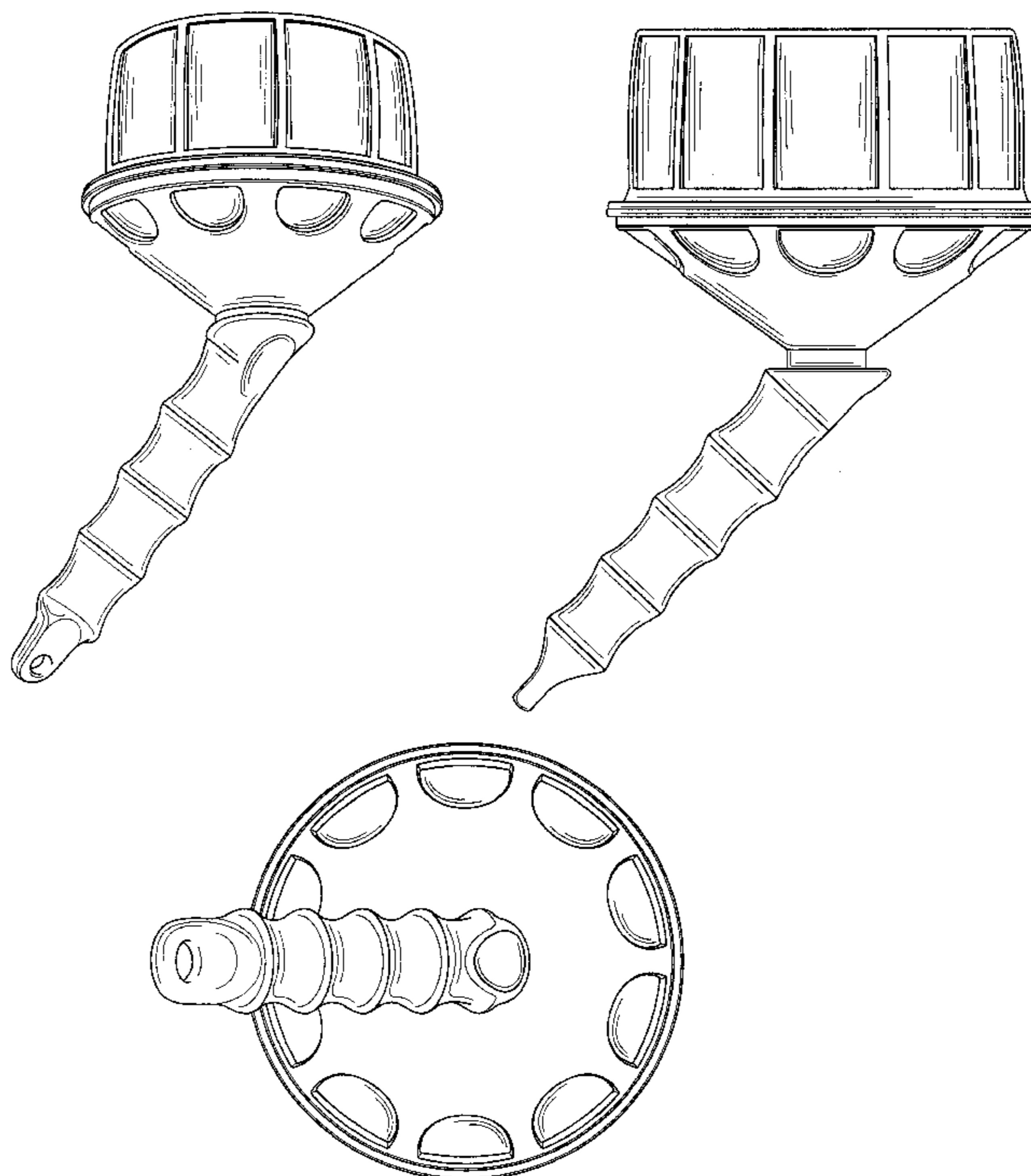
The ornamental design for the bouquet holder, as shown.

DESCRIPTION

FIG. 1 is a perspective view of the bouquet holder;
FIG. 2 is a front elevational view of the bouquet holder;
FIG. 3 is a rear elevational view of the bouquet holder;
FIG. 4 is a right side elevational view of the bouquet holder;
FIG. 5 is a left side elevational view of the bouquet holder;
FIG. 6 is a bottom plan view of the bouquet holder; and,
FIG. 7 is a top plan view of the bouquet holder.

The broken line showing in FIG. 7 is for illustrative purposes only and forms no part of the claimed design.

1 Claim, 6 Drawing Sheets



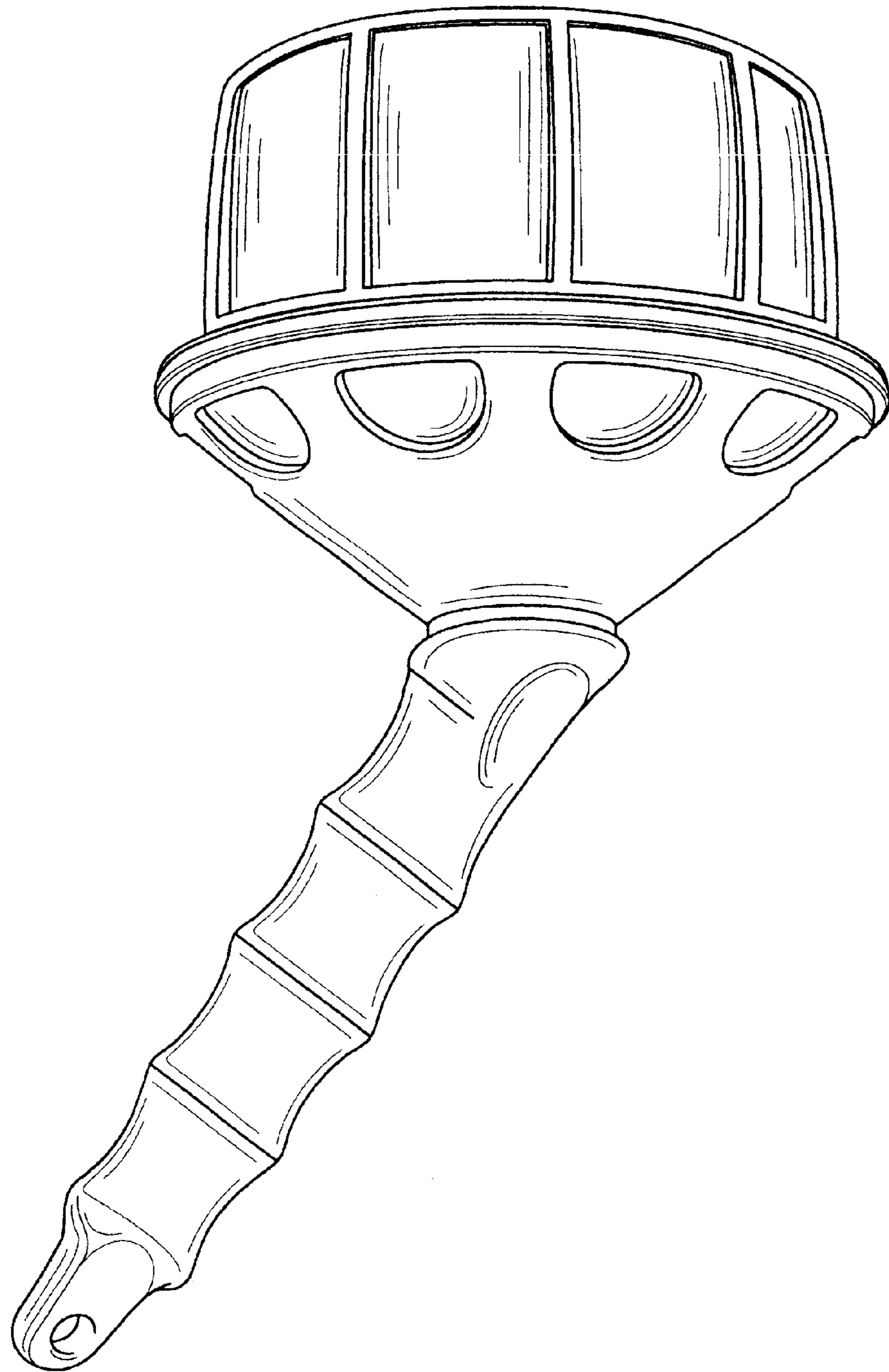


FIG. 1

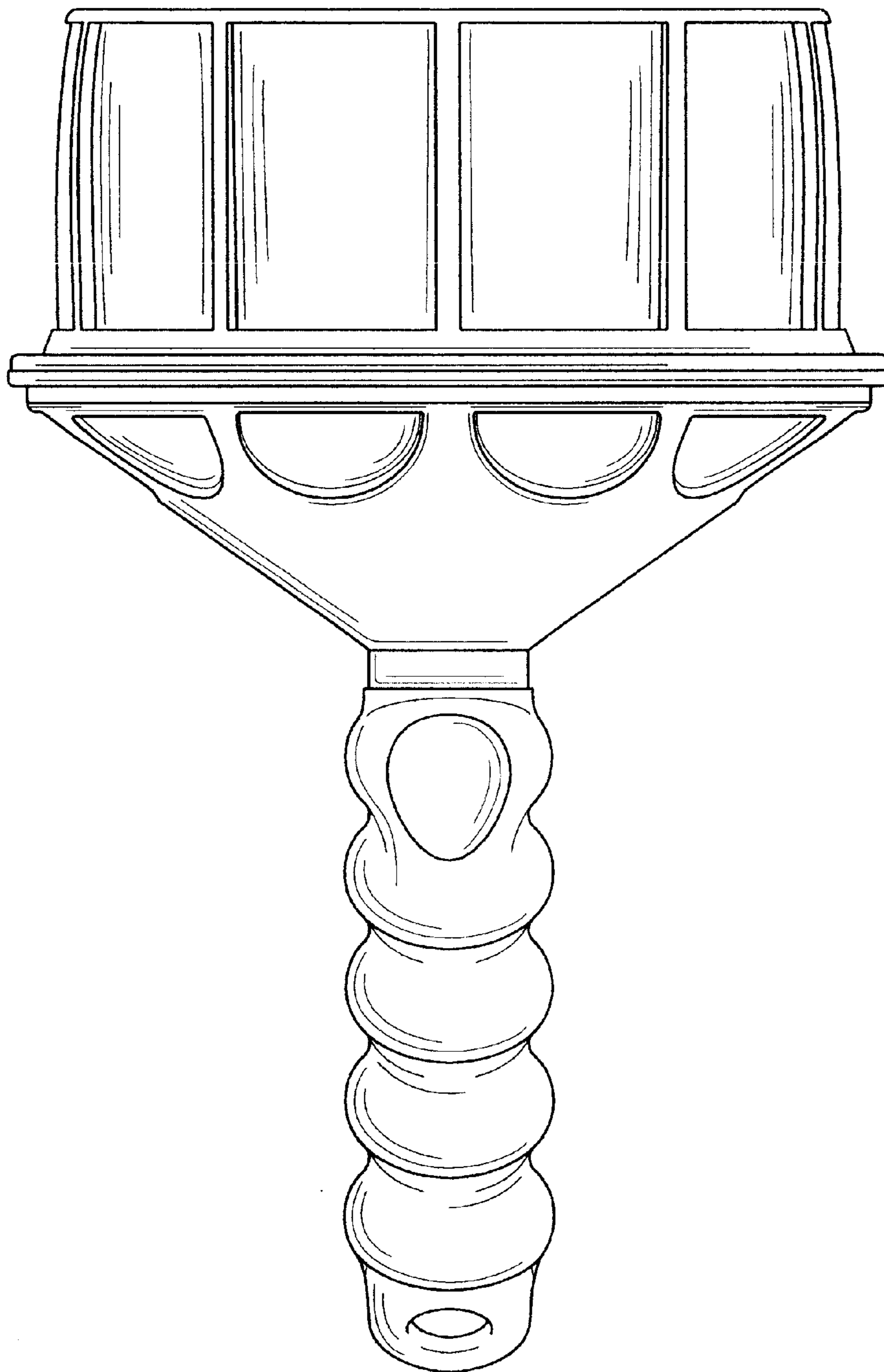


FIG. 2

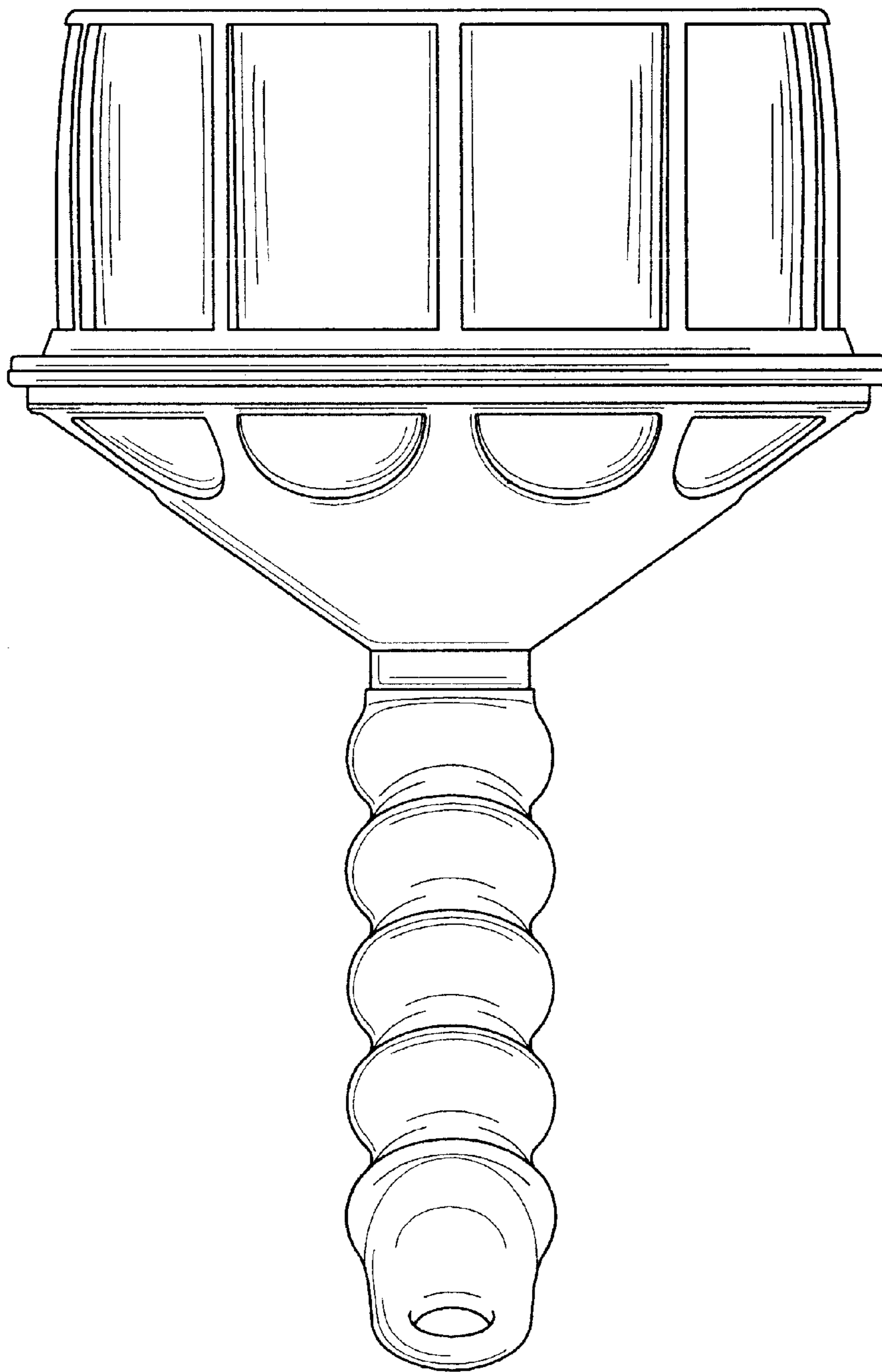


FIG. 3

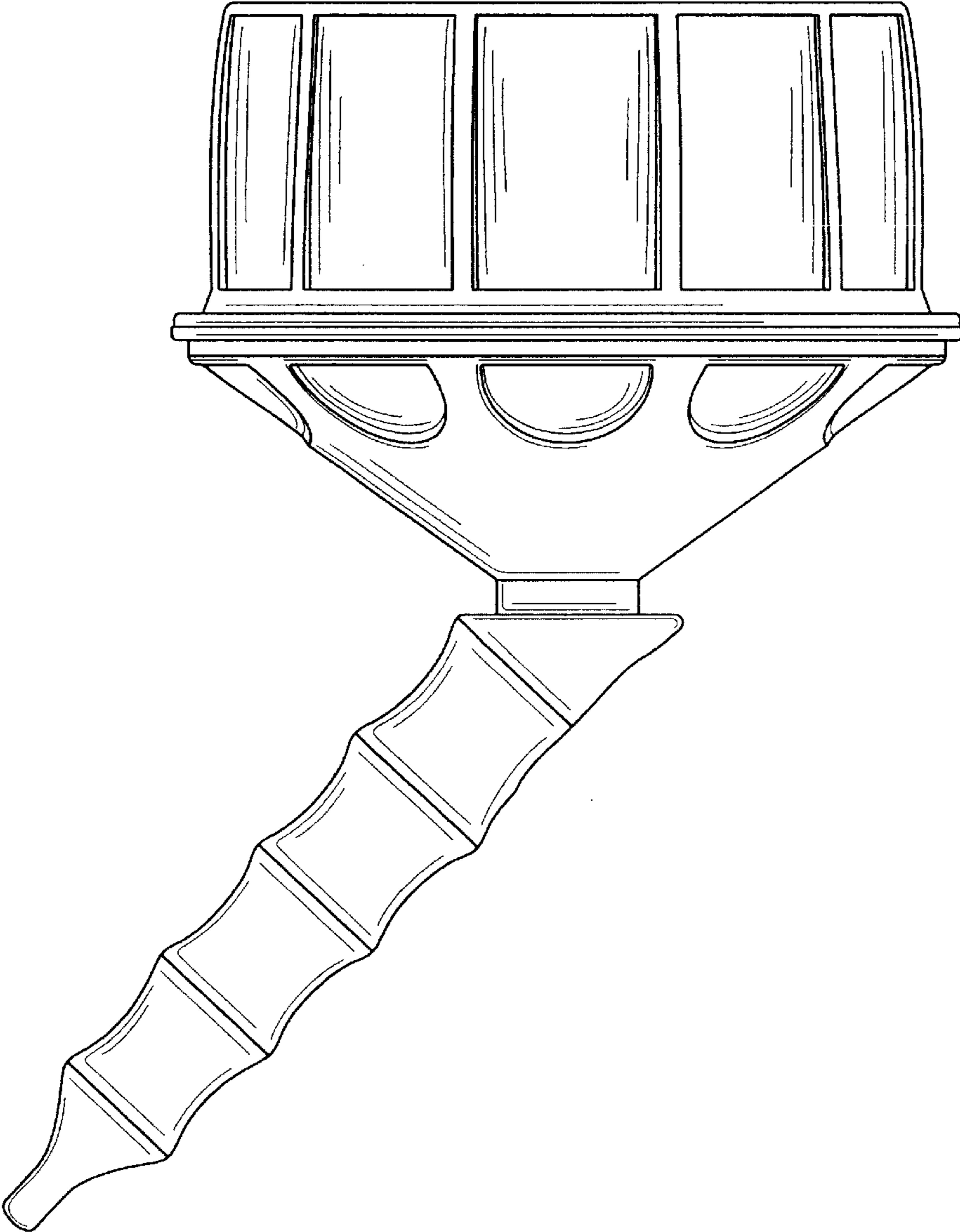


FIG. 4

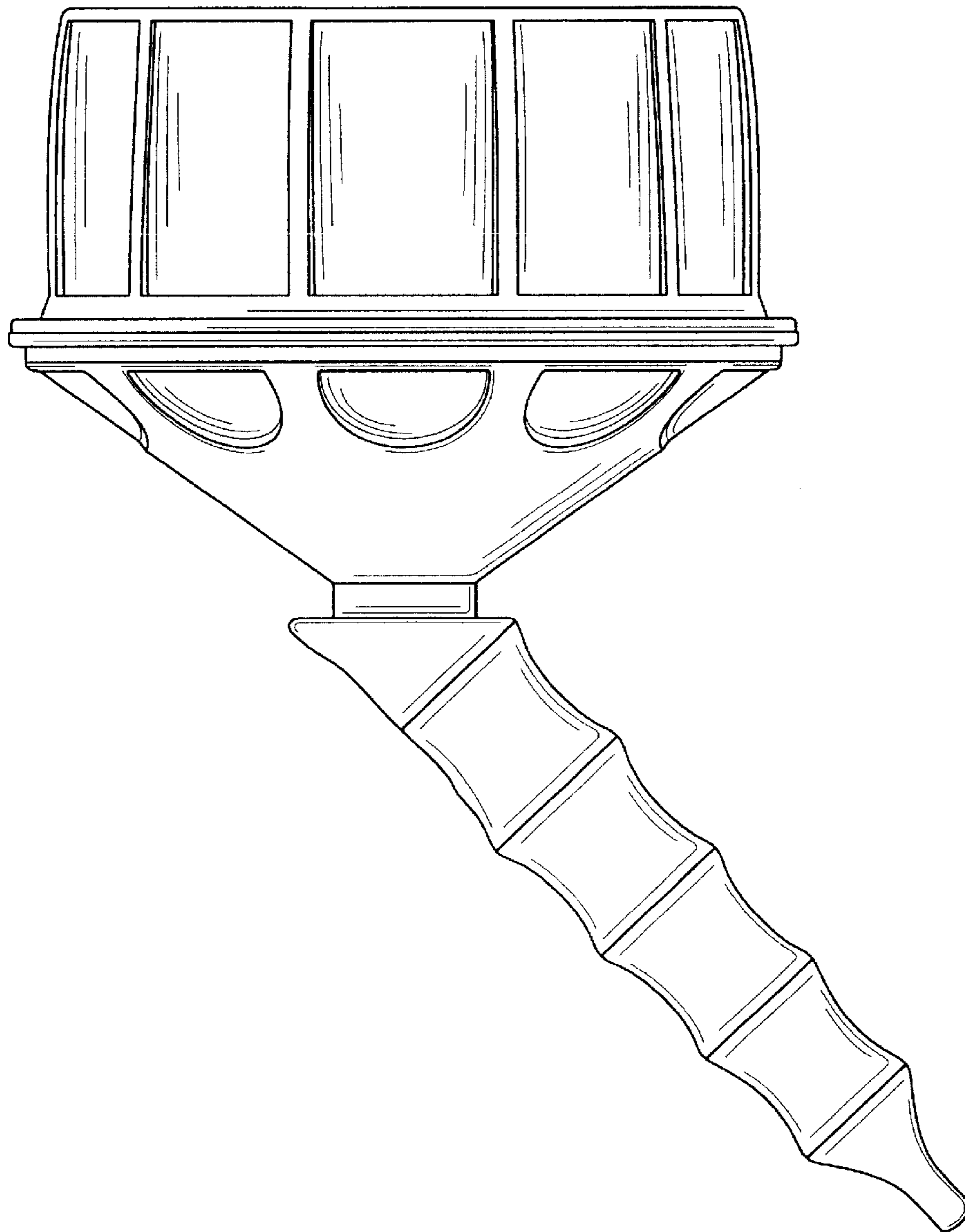


FIG. 5

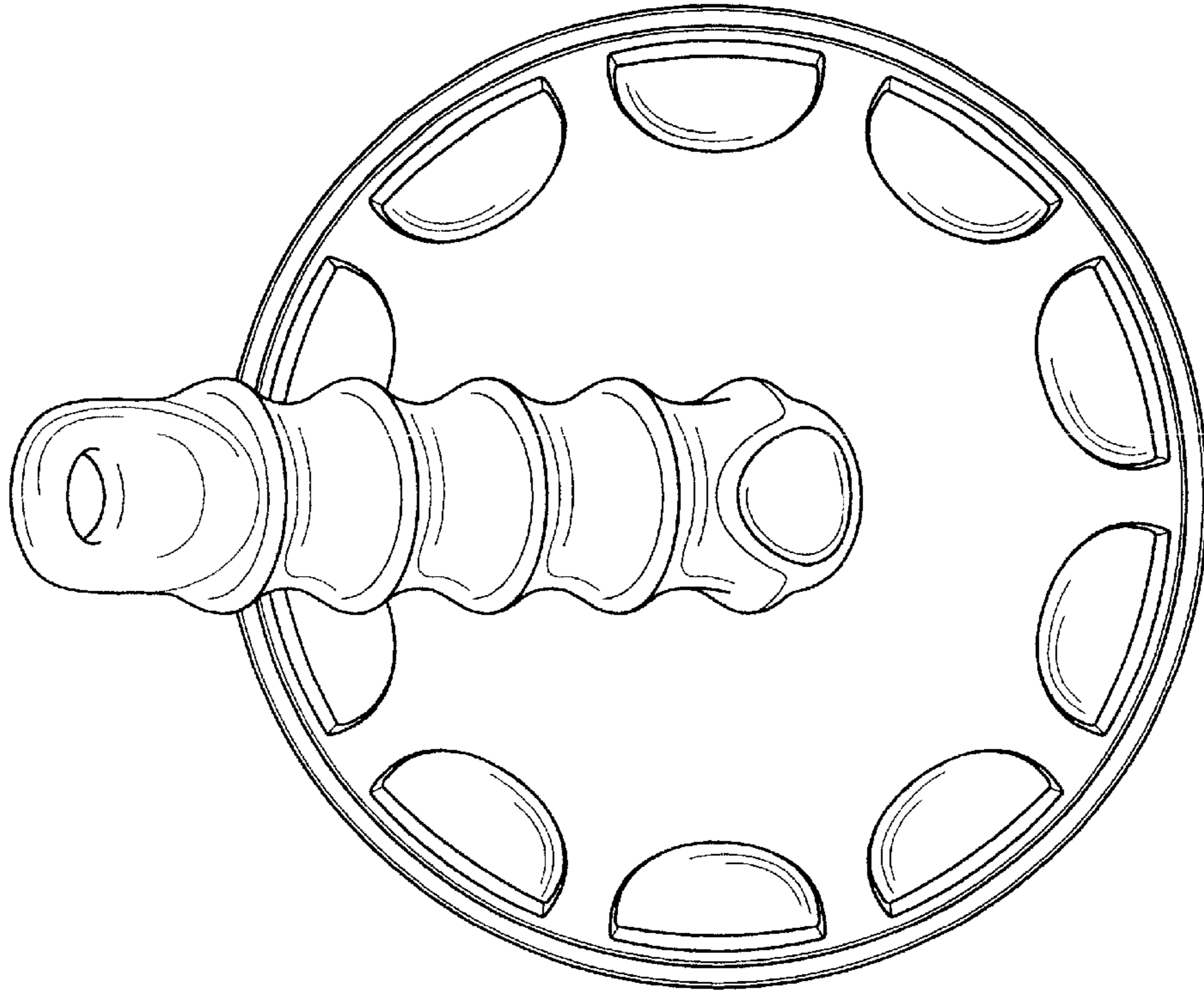


FIG. 6

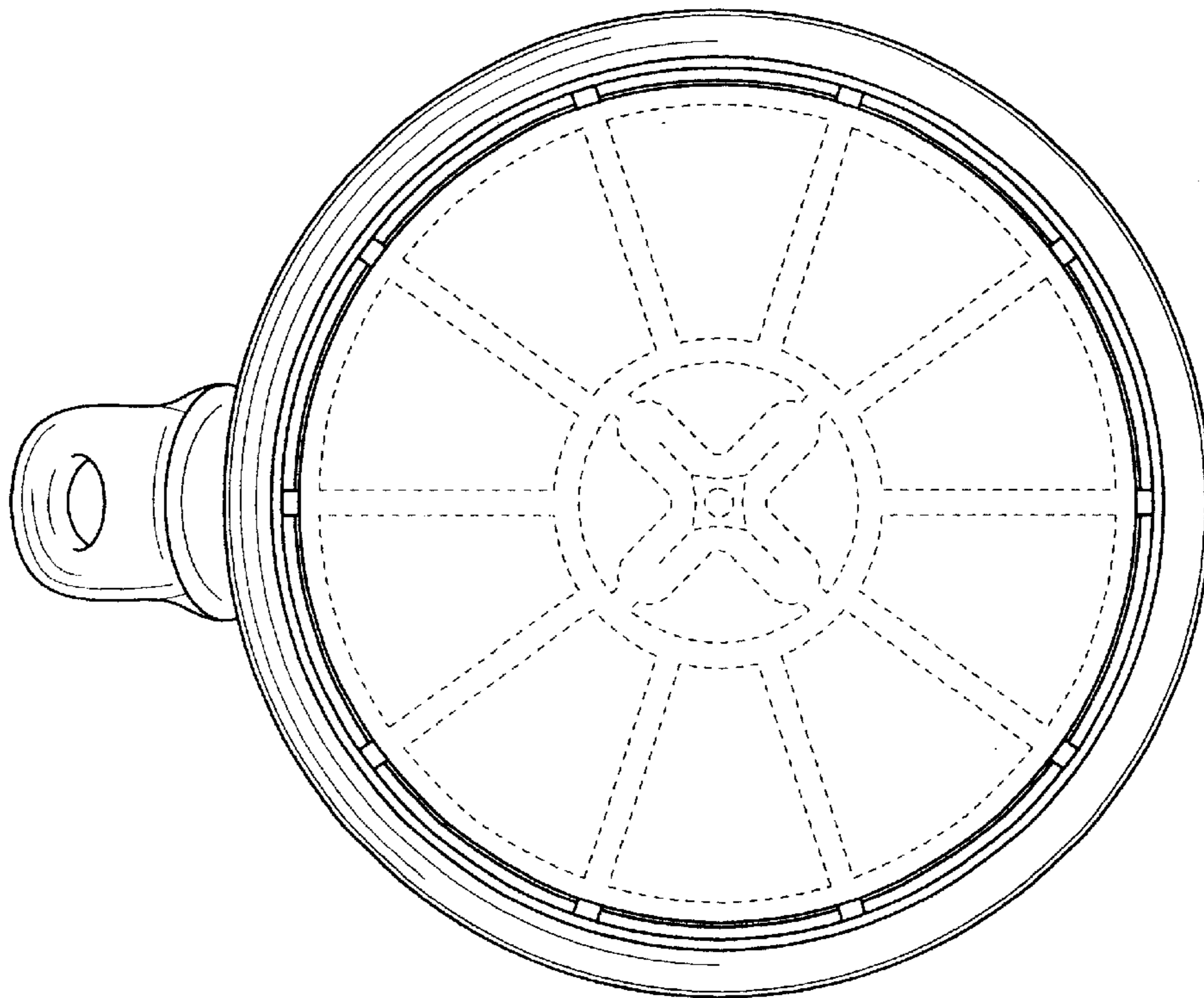


FIG. 7