

US00D543127S

(12) **United States Design Patent** (10) **Patent No.:** **US D543,127 S**
Daas (45) **Date of Patent:** **** May 22, 2007**

(54) **BRACELET**

(75) Inventor: **Robin Daas**, Scarsdale, NY (US)

(73) Assignee: **Heart of Gold US, LLP**, Tenafly, NJ (US)

(**) Term: **14 Years**

(21) Appl. No.: **29/237,494**

(22) Filed: **Aug. 31, 2005**

(51) **LOC (8) Cl.** **11-01**

(52) **U.S. Cl.** **D11/16**

(58) **Field of Classification Search** D11/1-20,
D11/30, 61, 89-92; 63/1.11, 3, 3.1, 3.2, 5.1,
63/5.2, 7-11; D9/252; 40/21, 21 C, 633;
D10/32; 224/175, 219; 24/3.2, 546; D8/44;
D7/633; D2/6; 59/78, 79.2, 80-84; 2/162
See application file for complete search history.

(56) **References Cited**

U.S. PATENT DOCUMENTS

D12,579 S	*	11/1881	Reynolds	D11/90
813,084 A	*	2/1906	Dover	63/26
1,054,274 A	*	2/1913	Burleigh	362/456
1,085,103 A	*	1/1914	Bonner	24/616
1,276,607 A	*	8/1918	Anderson	59/80
1,422,819 A	*	7/1922	Blaicher	63/15
1,822,392 A	*	9/1931	Esterman et al.	63/15.4
2,102,746 A	*	12/1937	Reilly	383/34
D108,123 S	*	1/1938	Granat	D11/91
D158,752 S	*	5/1950	Katz	D11/4
D175,089 S	*	7/1955	Newmark	D24/195
D243,411 S	*	2/1977	Johnson	D30/152
D260,620 S	*	9/1981	Blum	D11/3
D271,187 S	*	11/1983	Bulgari	D11/3
D293,561 S	*	1/1988	Bulgari	D11/3
D329,992 S	*	10/1992	Dostourian	D11/34
D394,411 S	*	5/1998	Gozlan	D11/4
D402,583 S	*	12/1998	Beard	D11/91

D412,681 S	*	8/1999	Canale	D11/92
D430,060 S	*	8/2000	Kavalek	D11/90
D442,881 S	*	5/2001	Kavalek	D11/90
D460,014 S	*	7/2002	Williams et al.	D11/1
D470,429 S	*	2/2003	Bonnet	D11/3
D491,833 S	*	6/2004	Flynn	D11/26
D505,878 S	*	6/2005	Zucchi	D11/34
D521,878 S	*	5/2006	Sivriere	D10/26
D528,456 S	*	9/2006	Thompson et al.	D11/27

OTHER PUBLICATIONS

Commercial product seen in public domain; author, title, date, etc. unknown. This product was seen more than one year before the filing of U.S. Appl. No. 29/237,494.

* cited by examiner

Primary Examiner—Louis Zarfaz

Assistant Examiner—Michael Pratt

(74) *Attorney, Agent, or Firm*—Orrick, Herrington & Sutcliffe LLP

(57) **CLAIM**

The ornamental design for a bracelet, as shown and described.

DESCRIPTION

FIG. 1 is an elevated perspective view of a bracelet showing my new design;

FIG. 2 is a front view of the bracelet of FIG. 1;

FIG. 3 is a rear view of the bracelet of FIG. 1;

FIG. 4 is a side view, taken from the right, of the bracelet of FIG. 1;

FIG. 5 is a side view, taken from the left, of the bracket of FIG. 1;

FIG. 6 is a top view of the bracelet of FIG. 1; and,

FIG. 7 is a bottom view of the bracelet of FIG. 1.

The objects shown in broken lines form no part of the claimed design and are shown for illustrative purposes.

1 Claim, 3 Drawing Sheets

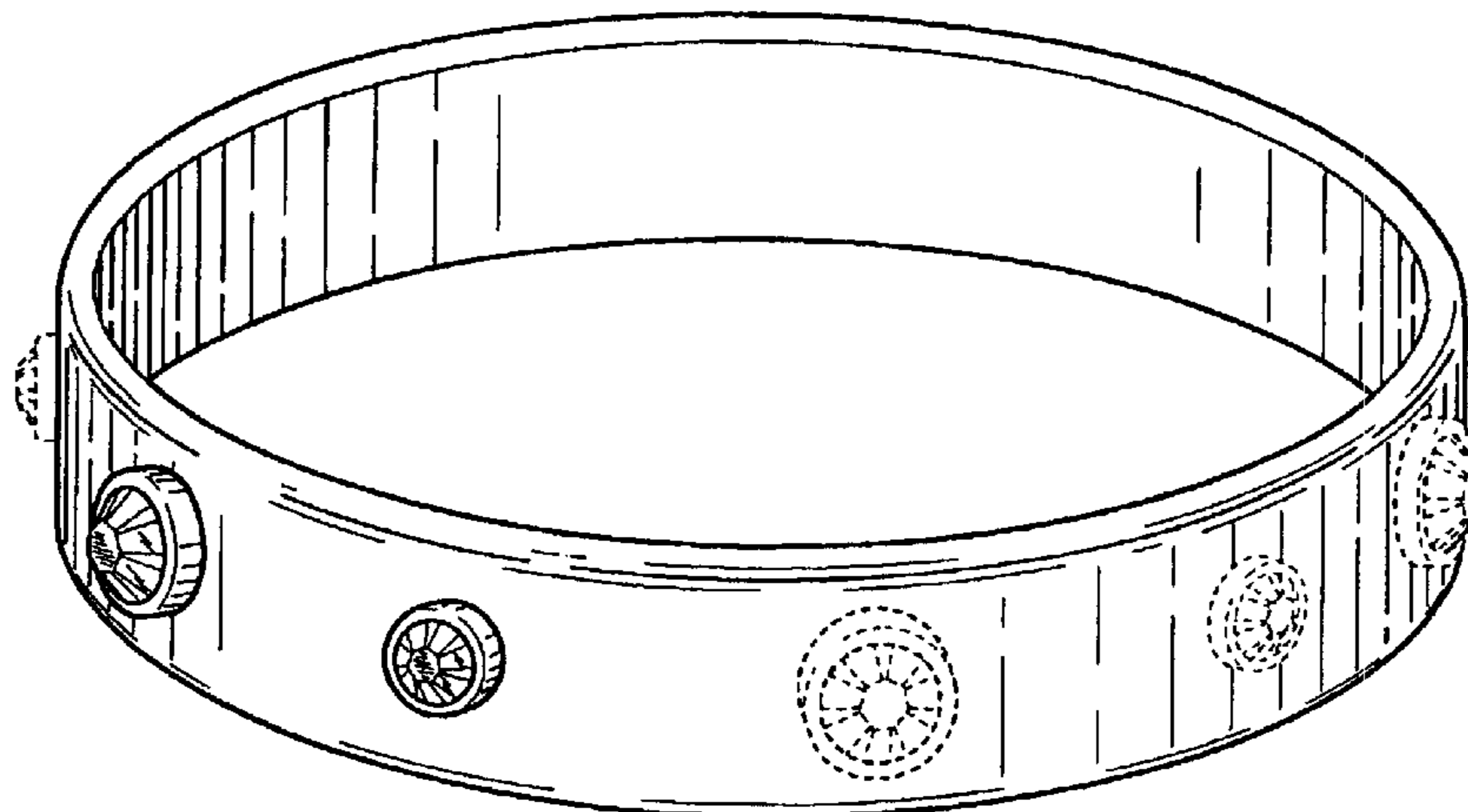


FIG. 1

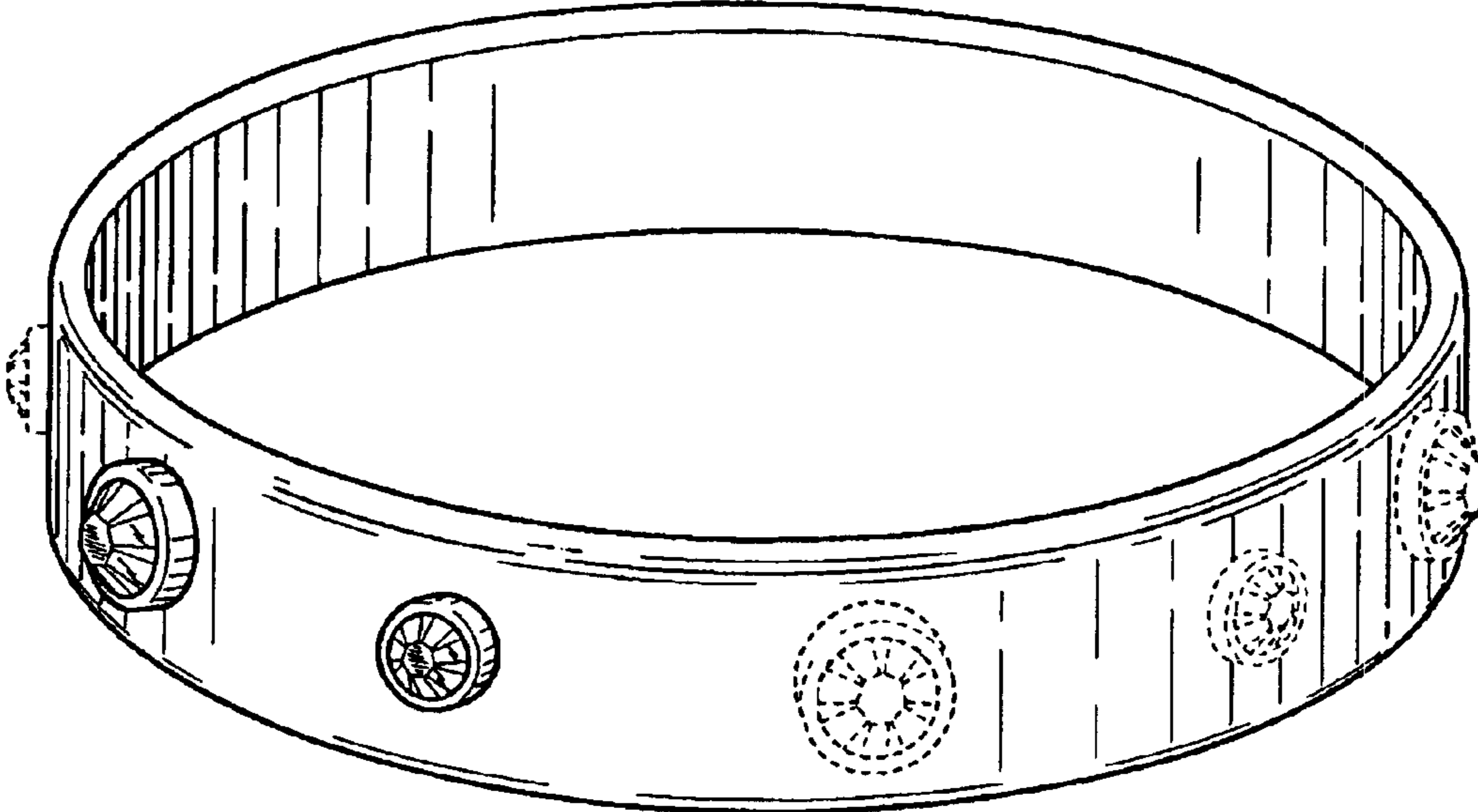


FIG. 2

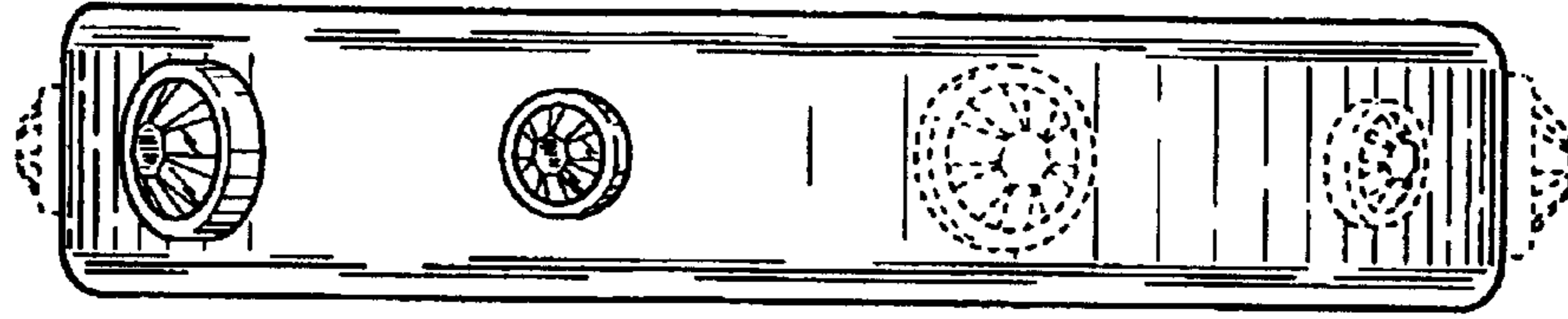


FIG. 3

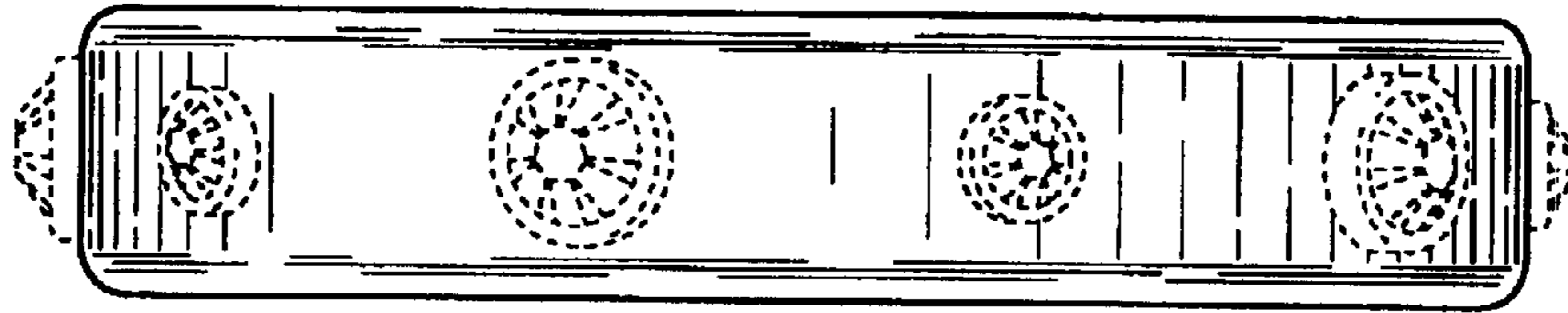


FIG. 4

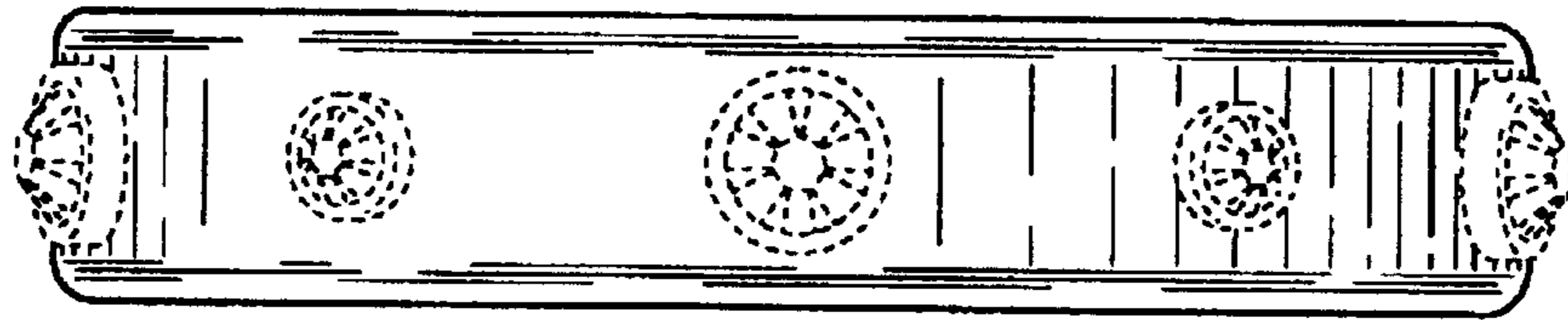


FIG. 5

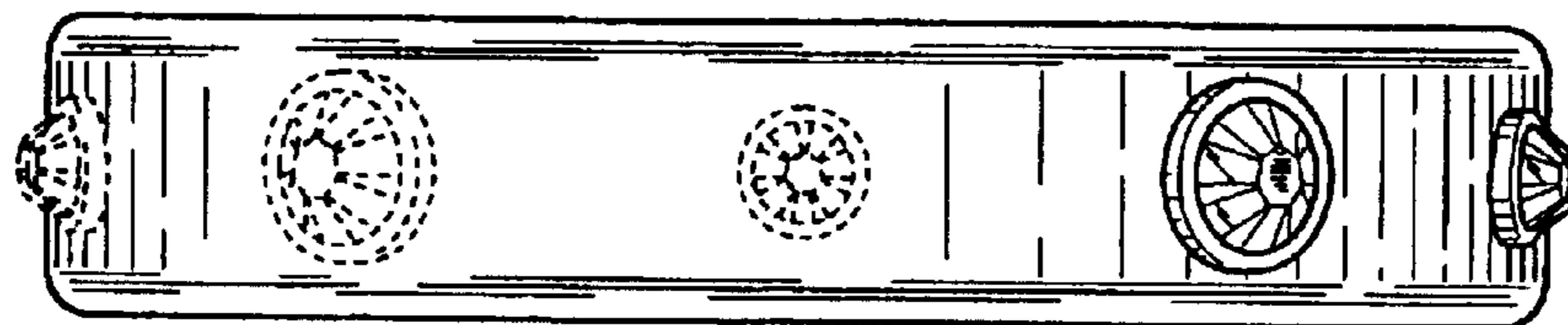


FIG. 6

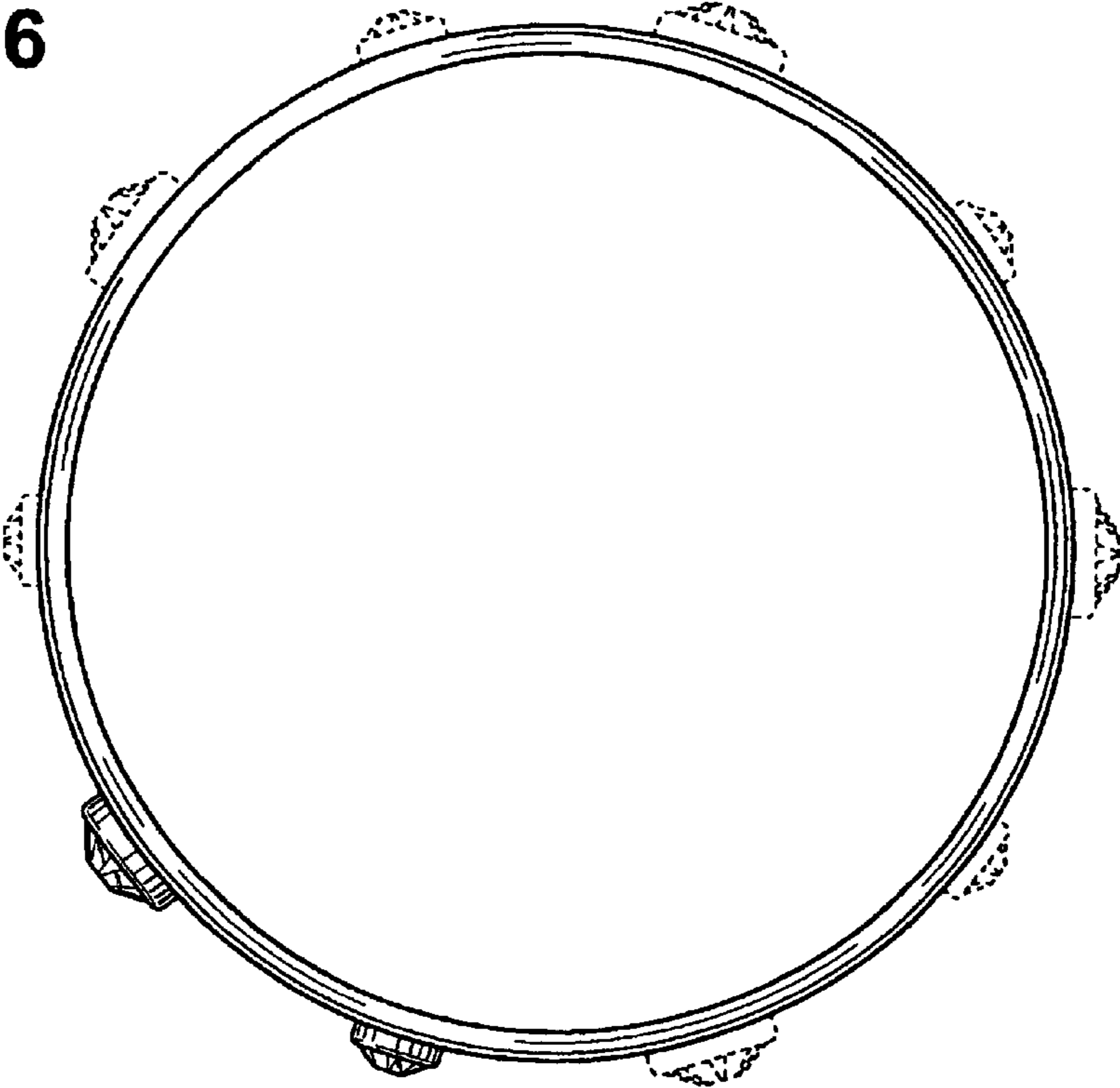


FIG. 7

