



US00D543125S

(12) **United States Design Patent**
Feibelman

(10) **Patent No.:** **US D543,125 S**

(45) **Date of Patent:** **** May 22, 2007**

(54) **FALSE BATTERY ELECTRONIC ARTICLE SURVEILLANCE DEVICE**

(75) Inventor: **Jeffrey A. Feibelman**, Providence, RI (US)

(73) Assignee: **Display Technologies, Inc.**, Johnston, RI (US)

(**) Term: **14 Years**

(21) Appl. No.: **29/222,618**

(22) Filed: **Feb. 2, 2005**

(51) **LOC (8) Cl.** **10-05**

(52) **U.S. Cl.** **D10/106**

(58) **Field of Classification Search** D6/449, D6/349, 352, 483, 490, 495, 601; D13/103, D13/119; D25/38, 164, 122; D23/267, 259; D10/78, 65, 47, 106, 103; 33/286; 324/262, 324/228

See application file for complete search history.

(56) **References Cited**

U.S. PATENT DOCUMENTS

691,744 A	*	1/1902	Carr	52/11
909,027 A	*	1/1909	Sanders	138/173
D47,140 S	*	3/1915	Newkirk	D6/601
D215,157 S	*	9/1969	Gutter	D23/267
D286,513 S	*	11/1986	Au	D10/106
D292,934 S	*	11/1987	Alberico	D23/259
4,777,527 A	*	10/1988	Camps et al.	348/143
4,936,037 A	*	6/1990	Holcomb et al.	42/106
D309,593 S	*	7/1990	Bailey	D12/167
4,996,787 A	*	3/1991	Holcomb et al.	42/7
5,001,772 A	*	3/1991	Holcomb et al.	455/90
5,015,036 A	*	5/1991	Fergie	297/397
D317,664 S	*	6/1991	Bakic	D28/85
5,130,698 A	*	7/1992	Rauscher	340/551
D335,353 S	*	5/1993	Baker	D25/38
D342,055 S	*	12/1993	Wakefield	D13/160
5,317,304 A	*	5/1994	Choi	340/571
5,319,805 A	*	6/1994	Holcomb et al.	455/128
D353,189 S	*	12/1994	Crowley	D23/267
D353,466 S	*	12/1994	McCue et al.	D25/38

D353,467 S	*	12/1994	Raynes	D25/38
D363,055 S	*	10/1995	Kobayashi et al.	D13/103
D378,432 S	*	3/1997	Raynes	D25/164
5,757,271 A	*	5/1998	Andrews	340/568
D403,298 S	*	12/1998	Hall et al.	D13/103
D406,486 S	*	3/1999	Ogilvie	D6/596
D406,561 S	*	3/1999	Goto	D13/103
6,011,471 A	*	1/2000	Huang	340/568.1
6,014,079 A	*	1/2000	Huang	340/571
D427,141 S	*	6/2000	Luh et al.	D13/103
D439,447 S	*	3/2001	Diekman	D6/486
D448,340 S	*	9/2001	Hall et al.	D13/119
D472,164 S	*	3/2003	Newton	D10/47
6,609,656 B1	*	8/2003	Elledge	235/382
6,628,198 B2	*	9/2003	Fieschi et al.	340/568.1
D498,965 S	*	11/2004	Thompson	D6/601
D509,906 S	*	9/2005	Enersen	D25/38
2003/0043039 A1	*	3/2003	Salemi et al.	340/572.8
2003/0052785 A1	*	3/2003	Gisselberg et al.	340/572.8
2003/0082440 A1	*	5/2003	Mrotek et al.	429/123
2004/0131897 A1	*	7/2004	Jenson et al.	429/7
2004/0207528 A1	*	10/2004	Fabian et al.	340/572.6

* cited by examiner

Primary Examiner—Cathron C. Brooks

Assistant Examiner—Austin Murphy

(74) *Attorney, Agent, or Firm*—Bowditch & Dewey, LLP

(57) **CLAIM**

The ornamental design for a false battery electronic article surveillance device, as shown and described.

DESCRIPTION

FIG. 1 is a perspective view of the false battery electronic article surveillance device showing my new design;

FIG. 2 is a top plan view thereof;

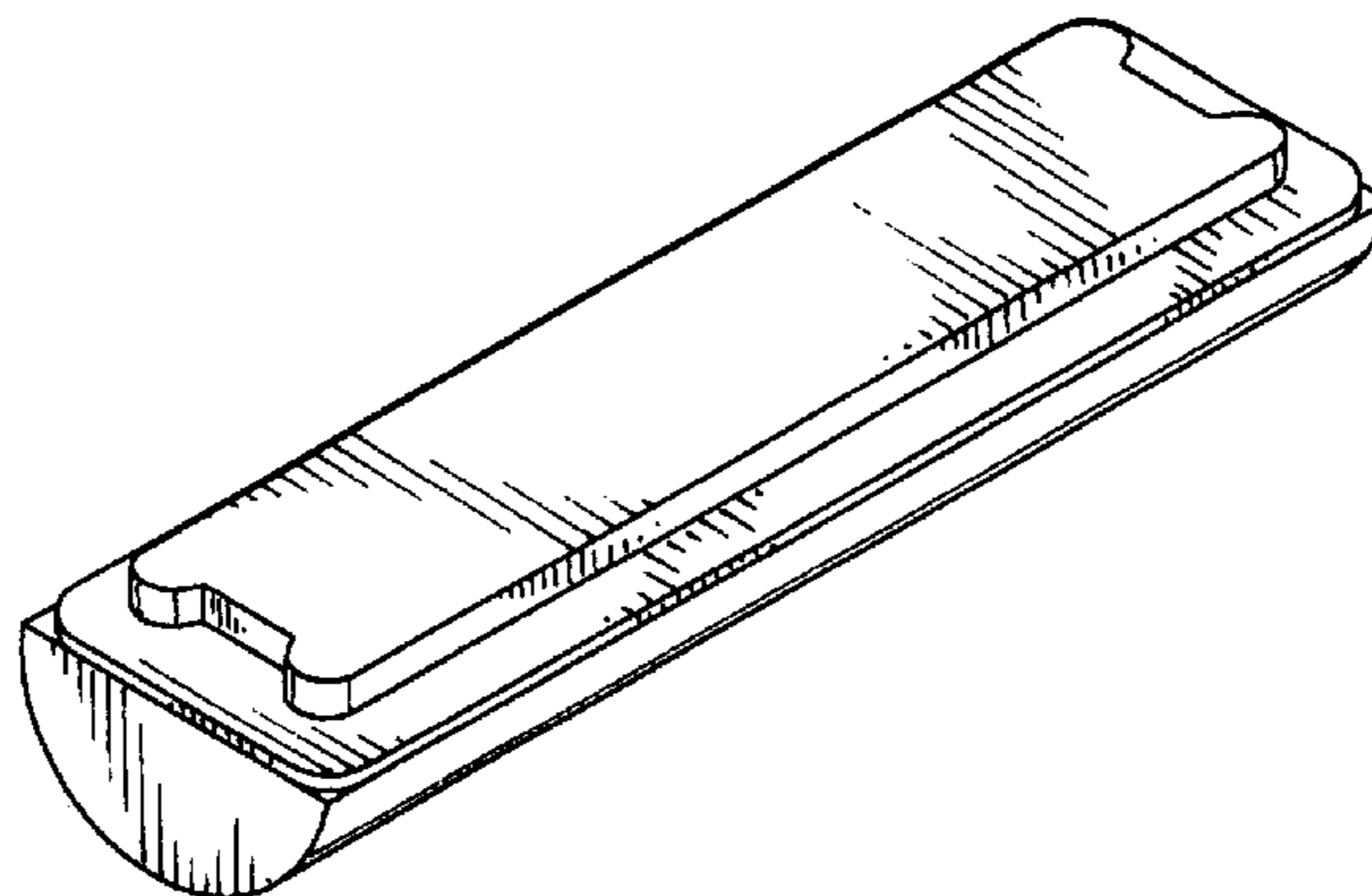
FIG. 3 is a bottom plan view thereof;

FIG. 4 is a front view thereof with the rear view being identical;

FIG. 5 is a left side view thereof with the right side view being identical; and,

FIG. 6 is a perspective view thereof shown in a position of use within a portable CD player.

The portions shown in broken lines are included for illustrative purposes only and form no part of the claimed designs.



1 Claim, 3 Drawing Sheets

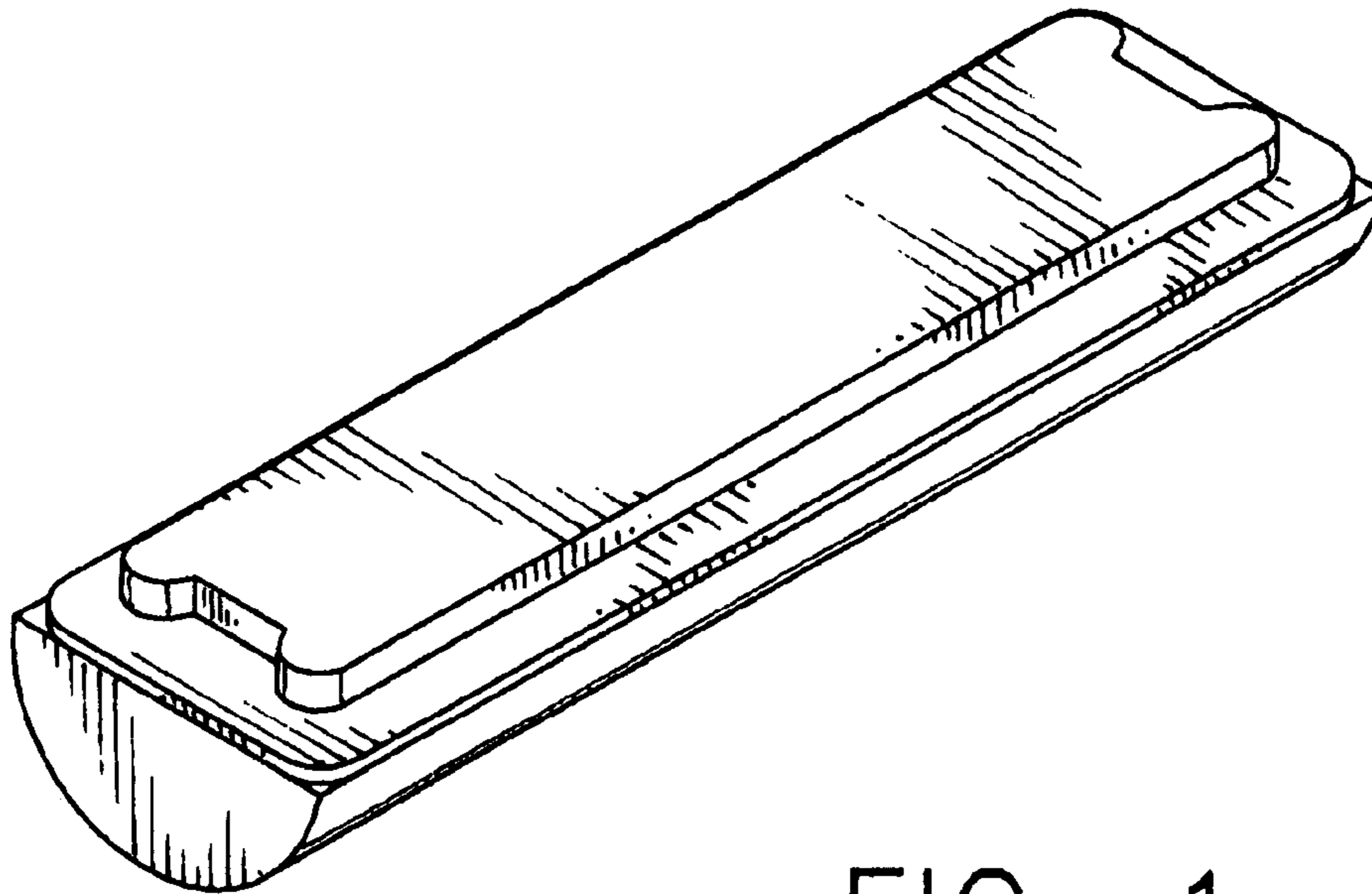


FIG. 1

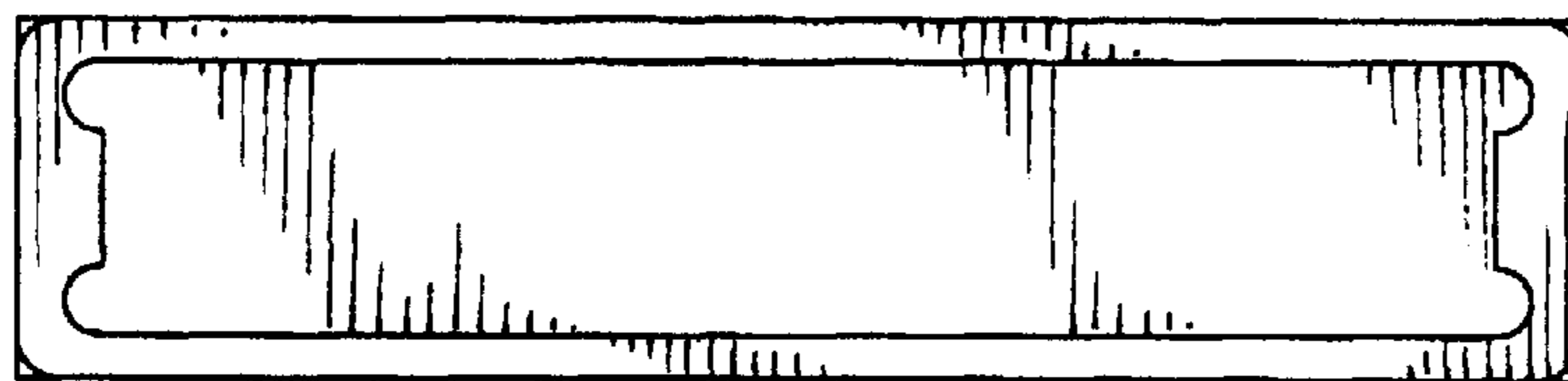


FIG. 2

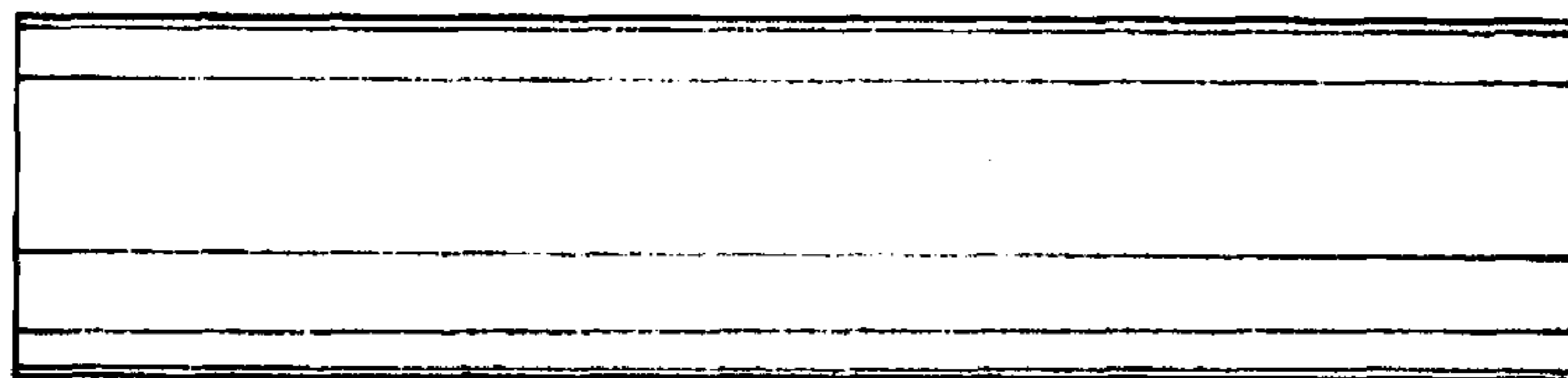


FIG. 3

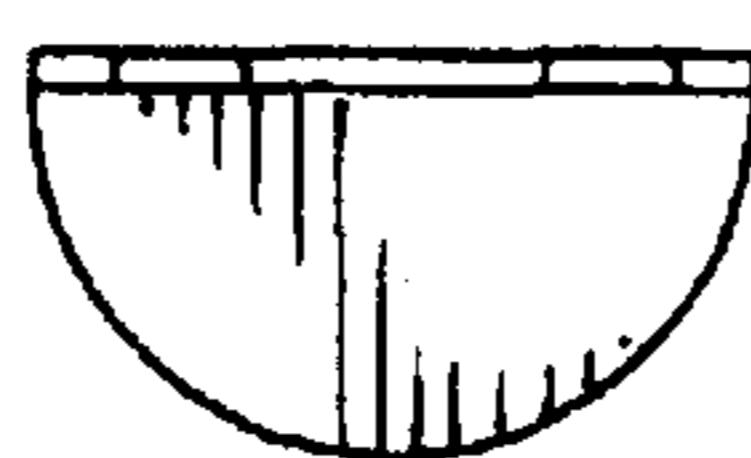


FIG. 4

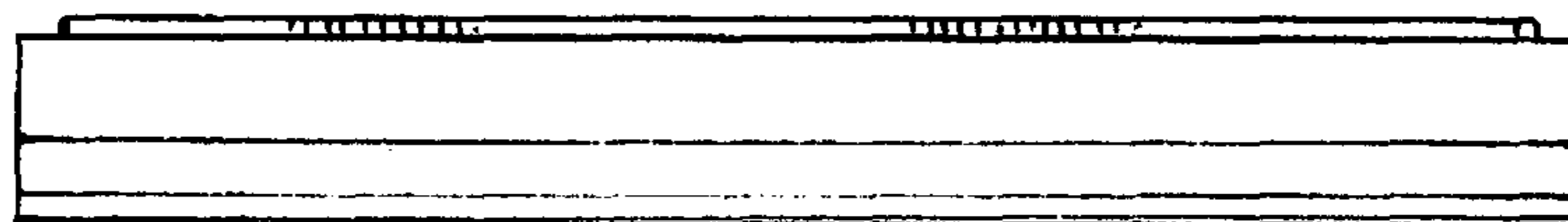


FIG. 5

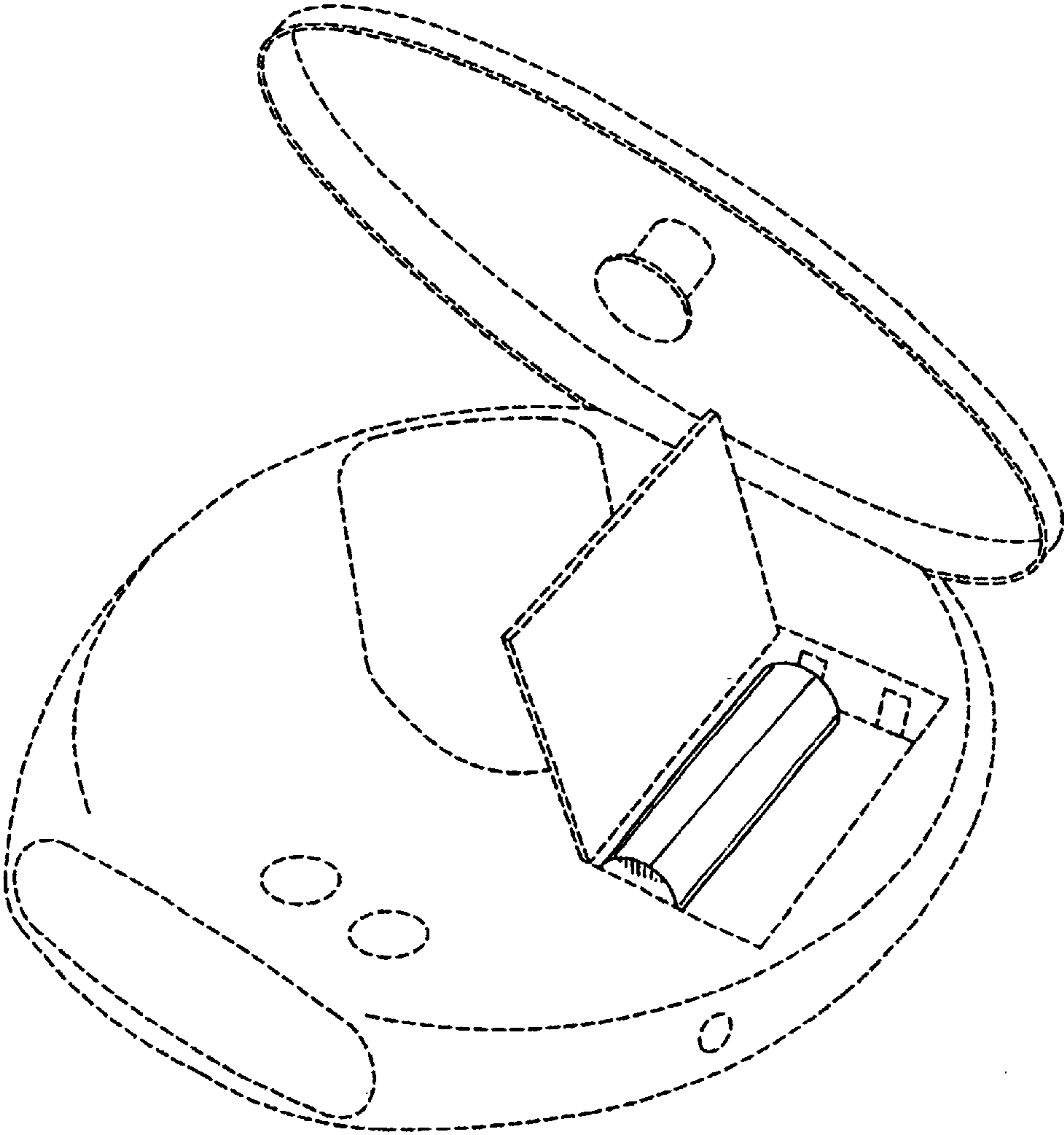


FIG. 6