

US00D543123S

(12) **United States Design Patent** (10) **Patent No.:** **US D543,123 S**
Min (45) **Date of Patent:** **** May 22, 2007**

(54) **WATCH CASE**
(75) Inventor: **Wang San Min**, Dong Guan (CN)
(73) Assignee: **New Heritage Ltd.**, Kowloon (HK)
(**) Term: **14 Years**

D403,249 S * 12/1998 Murphy et al. D10/32
D432,925 S * 10/2000 Lassigne D10/32
D443,214 S * 6/2001 Bodino D10/32
D497,111 S * 10/2004 Modolo D10/32
D521,394 S * 5/2006 Tang D10/30

* cited by examiner

Primary Examiner—Lucy Lieberman
(74) *Attorney, Agent, or Firm*—Thomas I. Rozsa

(21) Appl. No.: **29/239,975**
(22) Filed: **Oct. 5, 2005**

(57) **CLAIM**

(51) **LOC (8) Cl.** **10-02**
(52) **U.S. Cl.** **D10/38**
(58) **Field of Classification Search** D10/30–39,
D10/128; 368/276–278, 281–283, 285, 294,
368/295

The ornamental design for a watch case, as shown and described.

See application file for complete search history.

DESCRIPTION

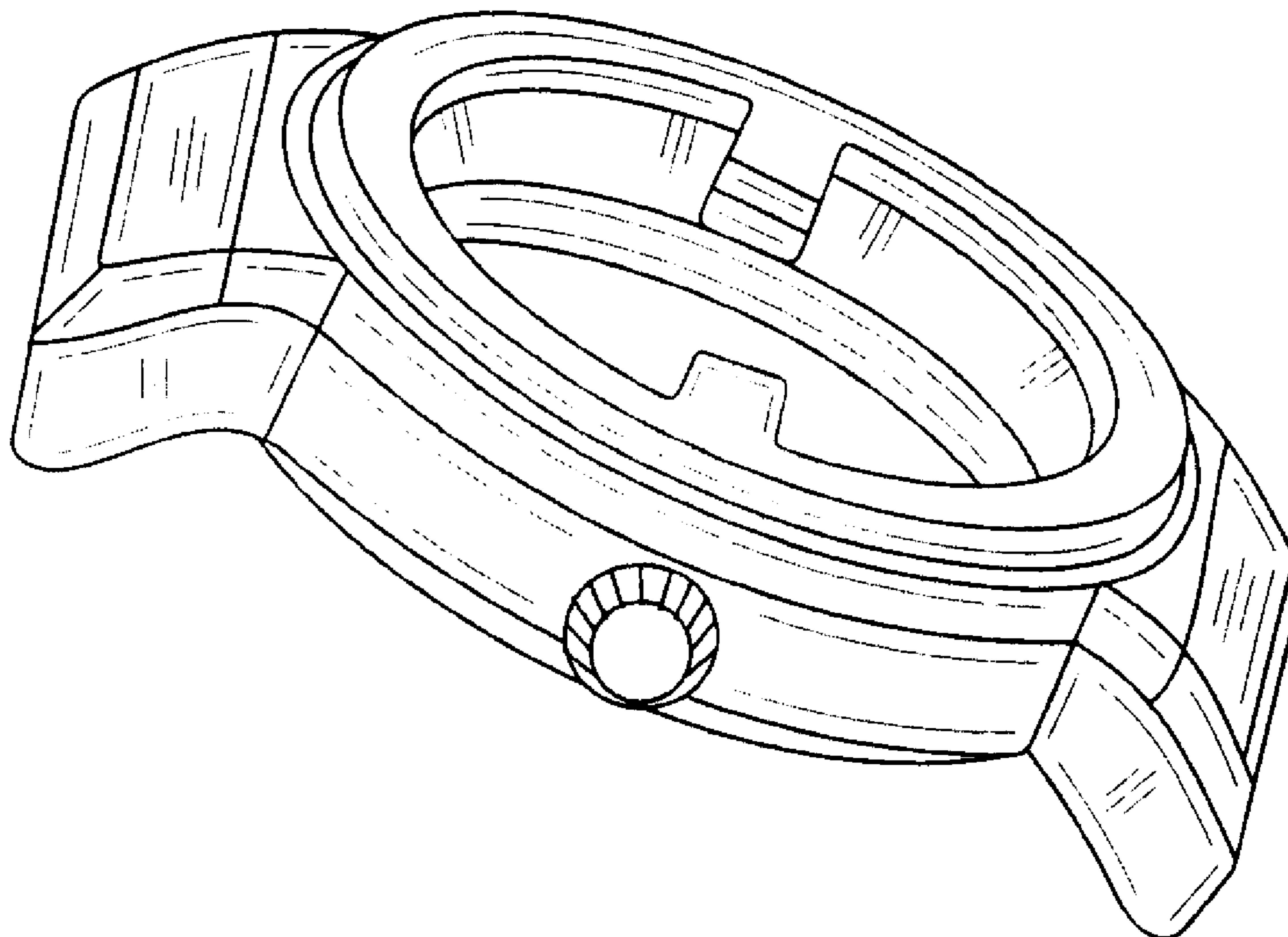
(56) **References Cited**

U.S. PATENT DOCUMENTS

2,629,981 A * 3/1953 Melik-Minassiantz 368/281
3,039,263 A * 6/1962 Wyler et al. 368/282
3,242,664 A * 3/1966 Lederrey 368/281
D286,754 S * 11/1986 Manfredi D10/39
D312,793 S * 12/1990 Fujiwara D10/39
D323,624 S * 2/1992 Moriai D10/38
D325,535 S * 4/1992 Yamamoto D10/39
D348,010 S * 6/1994 Riley D10/30

FIG. 1 is a perspective view from the right side of a watch case, showing my new design;
FIG. 2 is a perspective view when viewed from the left side;
FIG. 3 is a top plan view;
FIG. 4 is a bottom plan view;
FIG. 5 is an end view when viewed from the bottom;
FIG. 6 is an end view when viewed from the top;
FIG. 7 is a side elevational view when viewed from the right side; and,
FIG. 8 is a side elevational view when viewed from the left side.

1 Claim, 3 Drawing Sheets



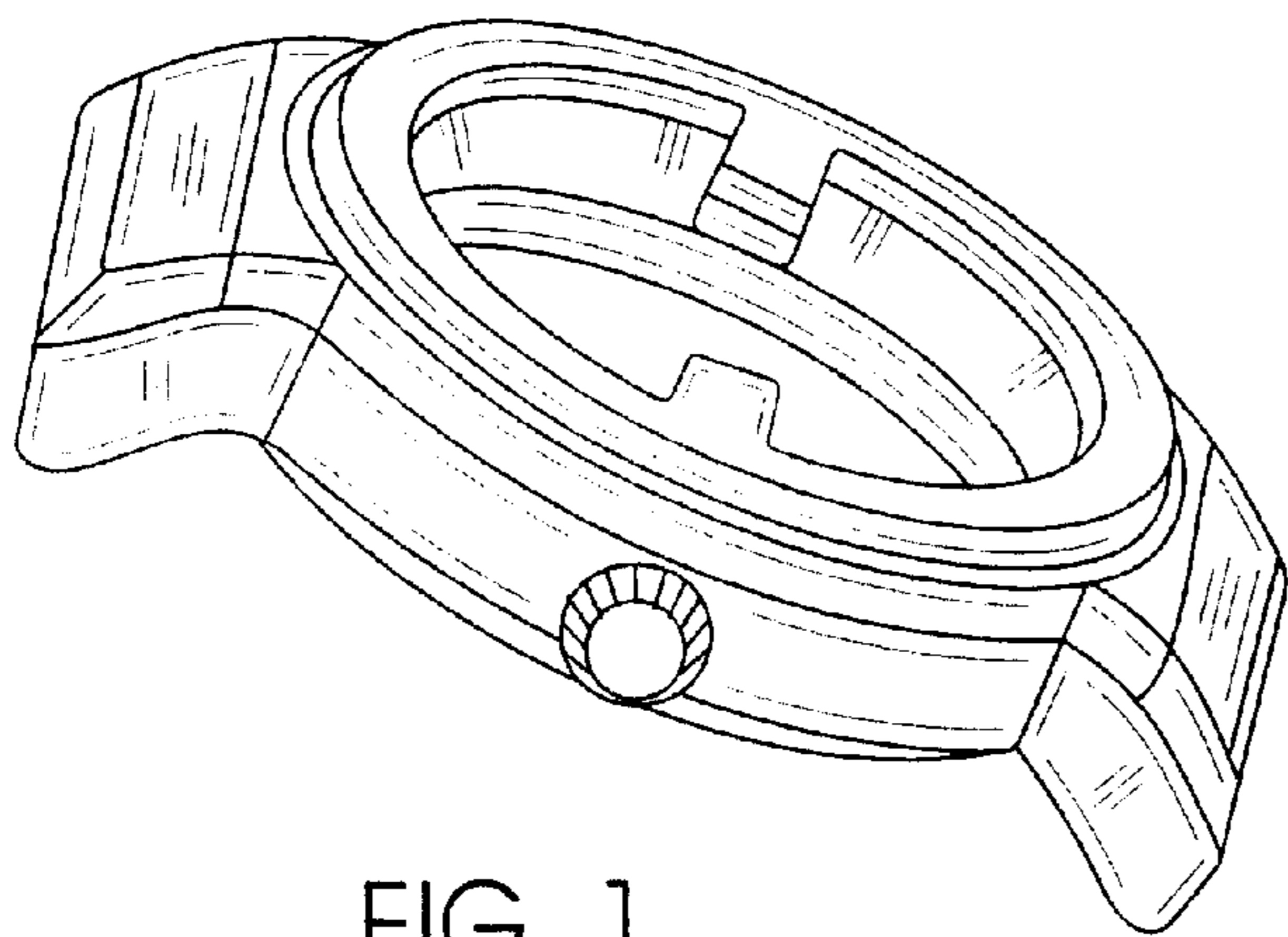


FIG. 1

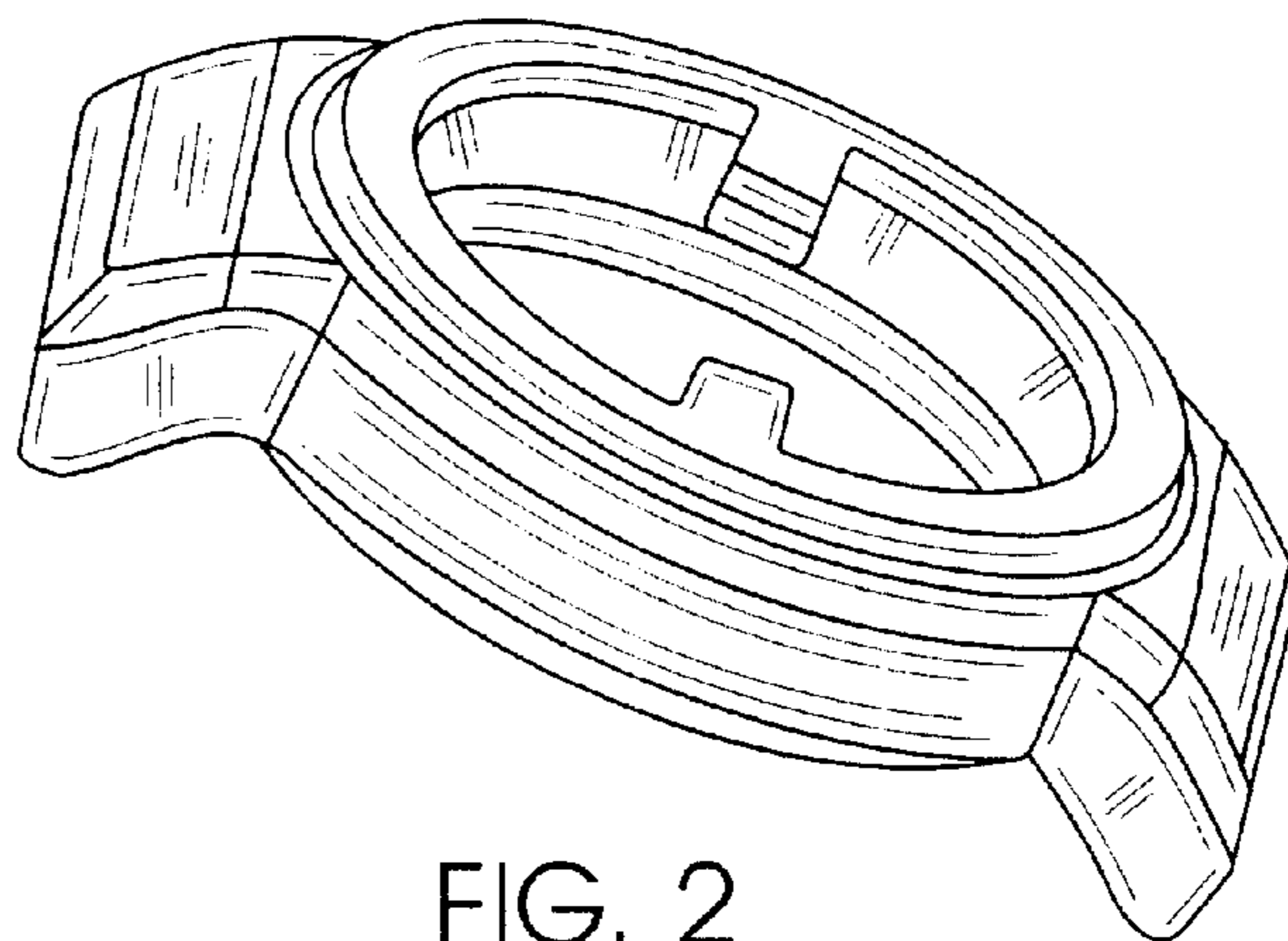


FIG. 2

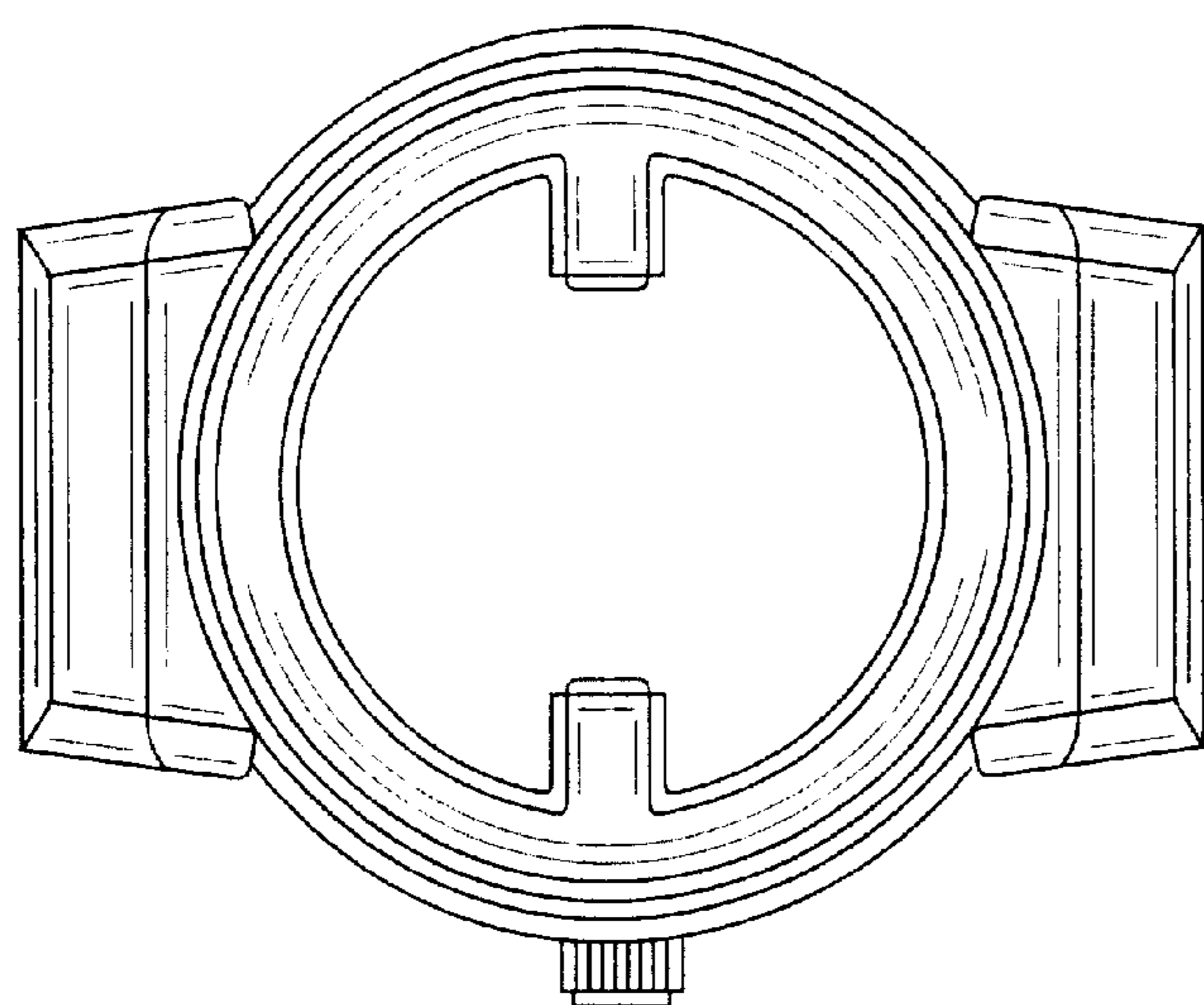


FIG. 3

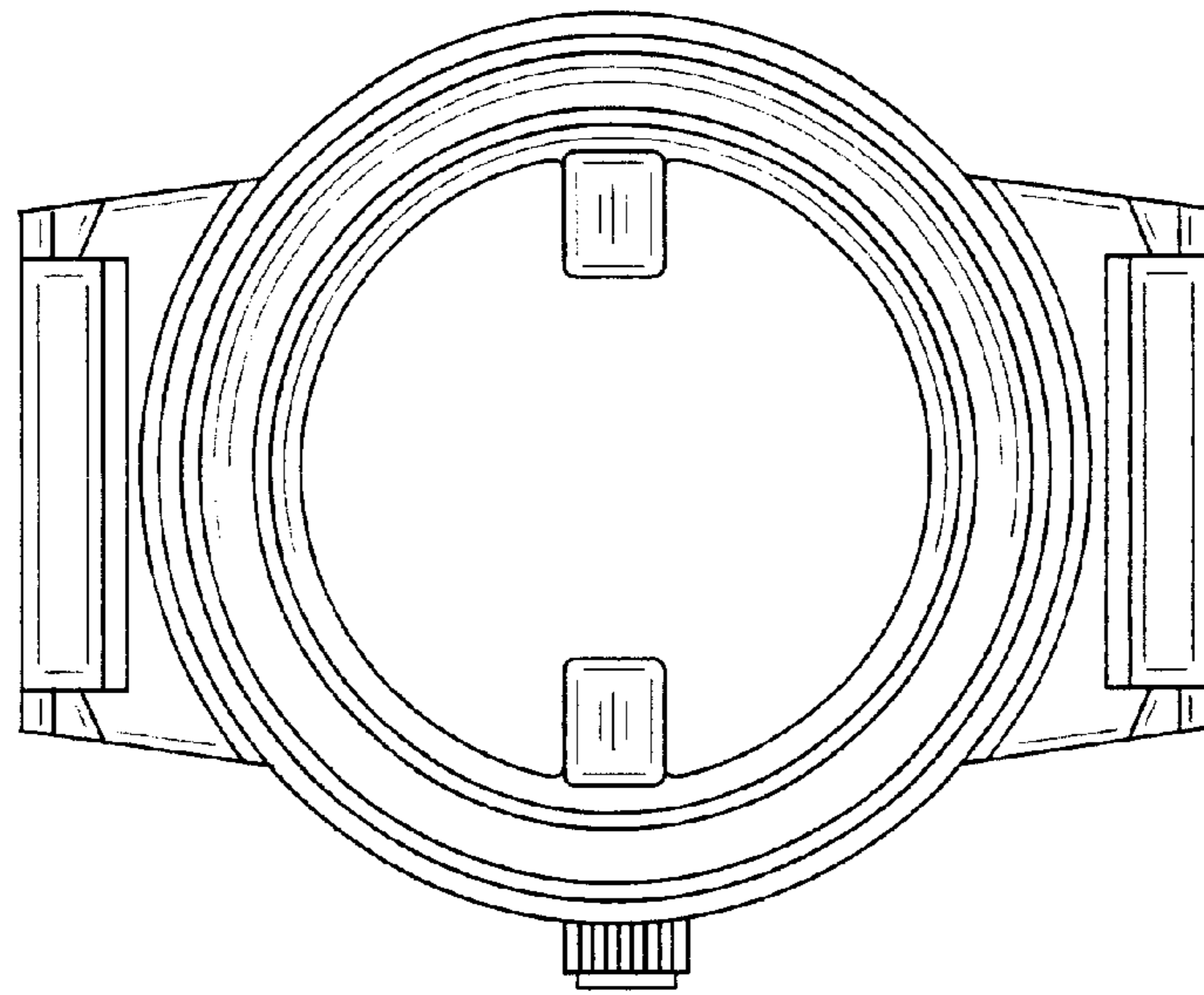


FIG. 4

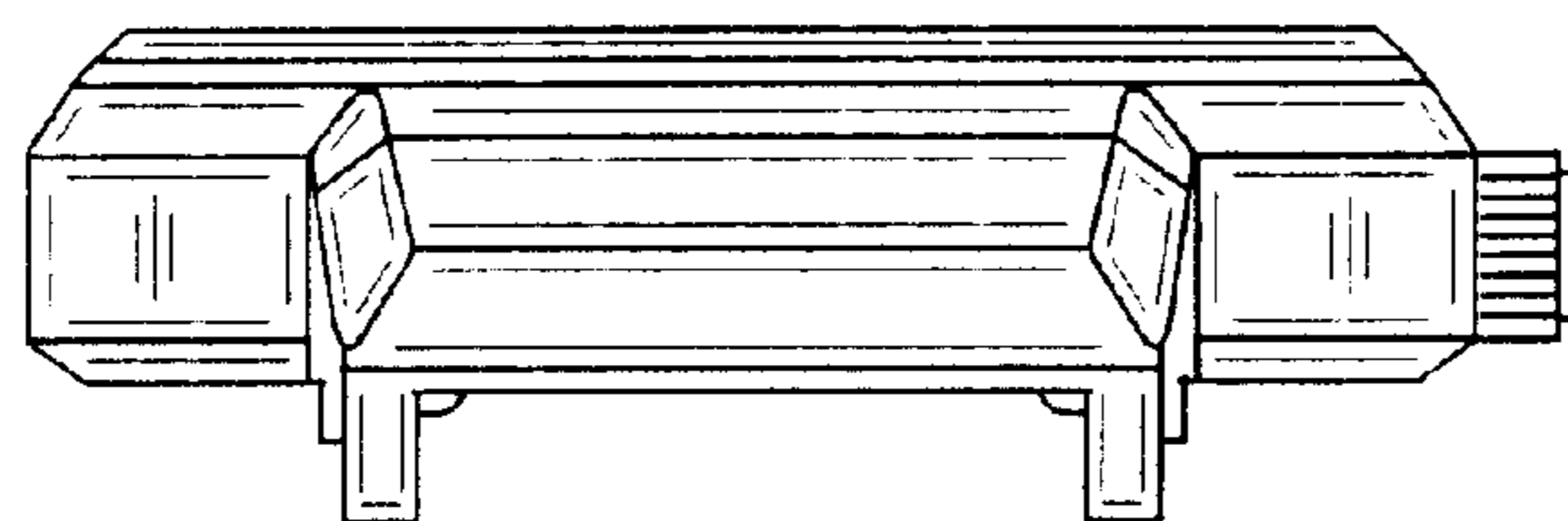


FIG. 5

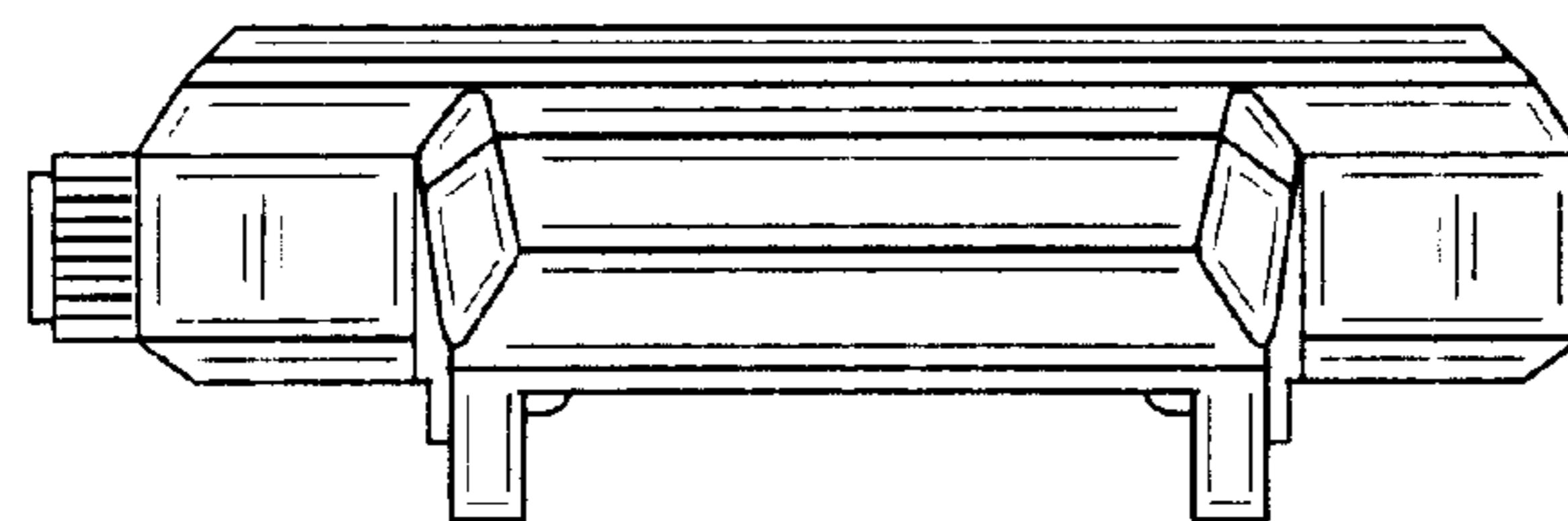


FIG. 6

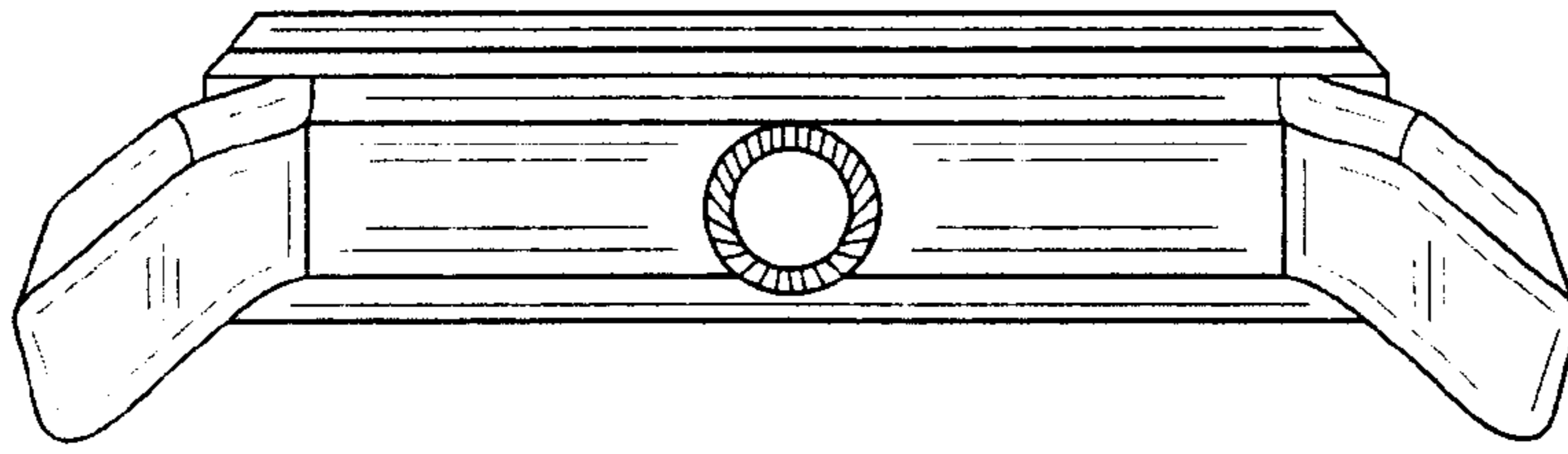


FIG. 7

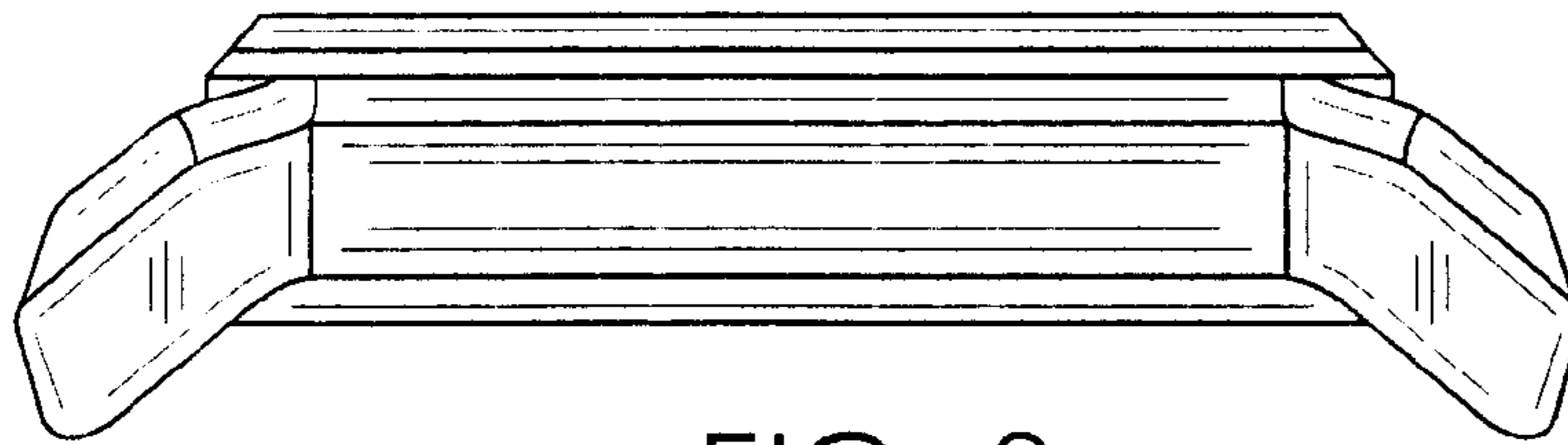


FIG. 8