

US00D543122S

(12) **United States Design Patent**
Lafever et al.

(10) **Patent No.:** **US D543,122 S**

(45) **Date of Patent:** **** May 22, 2007**

(54) **COMBINED FLEXIBLE BAND AND CLIP-ON WATCH**

(76) Inventors: **Ronald Lafever**, 340 Cypress Dr., No. 6, Laguna Beach, CA (US) 92651; **William C. Green**, 2036 Norton Rd., Charlotte, NC (US) 28207; **Guy Johnson**, 18101 Von Karman Ave. Suite 1050, Irvine, CA (US) 92612; **Jon Christopher Lake**, 1212 Nevlet Ct., Sunnyvale, CA (US) 94087; **Hiroshi Ono**, 20026 Novate Milanese (MI), Via Buozzi Bruno (IT), 10

(**) Term: **14 Years**

(21) Appl. No.: **29/259,508**

(22) Filed: **May 10, 2006**

(51) **LOC (8) Cl.** **10-02**

(52) **U.S. Cl.** **D10/32**

(58) **Field of Classification Search** D10/30-39;
368/276-278, 281-283, 285, 316, 223, 228,
368/232, 28, 239-242, 21, 82-84; 224/164,
224/170

See application file for complete search history.

(56) **References Cited**

U.S. PATENT DOCUMENTS

1,260,278	A	*	3/1918	Smith	368/281
1,264,650	A	*	4/1918	Horcasitas	368/288
D59,740	S	*	11/1921	Gruen	D10/39
D111,863	S	*	10/1938	Stegeman	D10/38
D113,771	S	*	3/1939	Stegeman	D10/38
2,629,981	A	*	3/1953	Melik-Minassiantz	368/281
4,700,874	A	*	10/1987	Mock et al.	224/178
4,742,503	A	*	5/1988	Braun et al.	368/282

4,964,092	A	*	10/1990	Brida	368/282
D350,288	S	*	9/1994	Giardiello	D10/30
D353,107	S	*	12/1994	Ricci	D10/32
D360,142	S	*	7/1995	Polenberg	D10/39
D362,396	S	*	9/1995	Chester	D10/32
5,617,377	A	*	4/1997	Perret, Jr.	368/282
D389,416	S	*	1/1998	Borel	D10/32
D409,504	S	*	5/1999	Collier	D10/34
D417,158	S	*	11/1999	Krauss	D10/30
D455,356	S	*	4/2002	Saffer	D10/32

* cited by examiner

Primary Examiner—Lucy Lieberman

(74) *Attorney, Agent, or Firm*—David A. Belasco; Belasco Jacobs & Townsley, LLP

(57) **CLAIM**

The ornamental design for a combined flexible band and clip-on watch, as shown and described.

DESCRIPTION

FIG. 1 is a perspective view of a combined flexible band and clip-on watch showing our new design;

FIG. 2 is a top view of the combined flexible band and clip-on watch;

FIG. 3 is a right side elevation of the combined flexible band and clip-on watch;

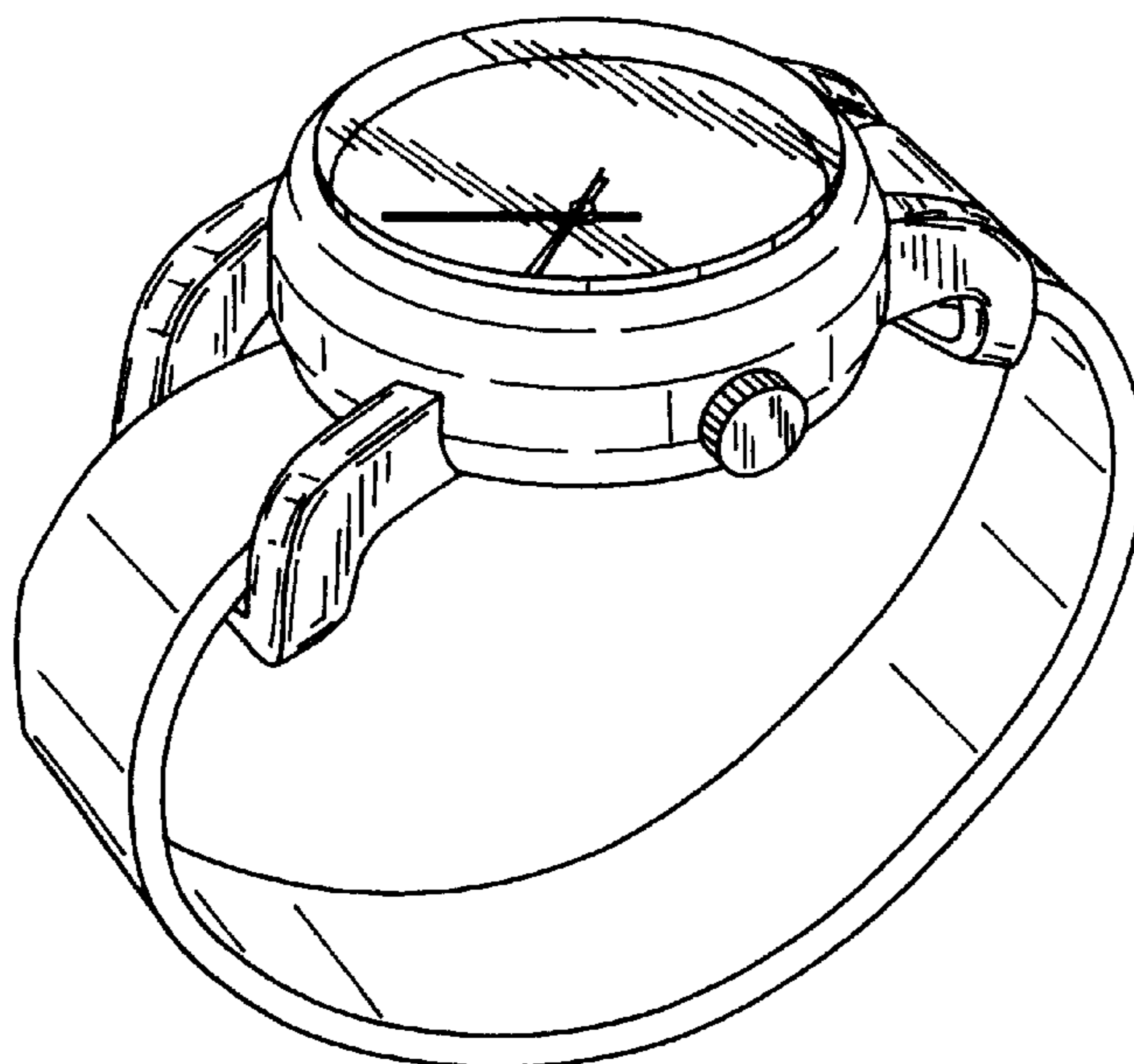
FIG. 4 is a rear view of the combined flexible band and clip-on watch;

FIG. 5 is a left side elevation of the combined flexible band and clip-on watch;

FIG. 6 is a front view of the combined flexible band and clip-on watch; and,

FIG. 7 is a bottom view of the combined flexible band and clip-on watch.

1 Claim, 2 Drawing Sheets



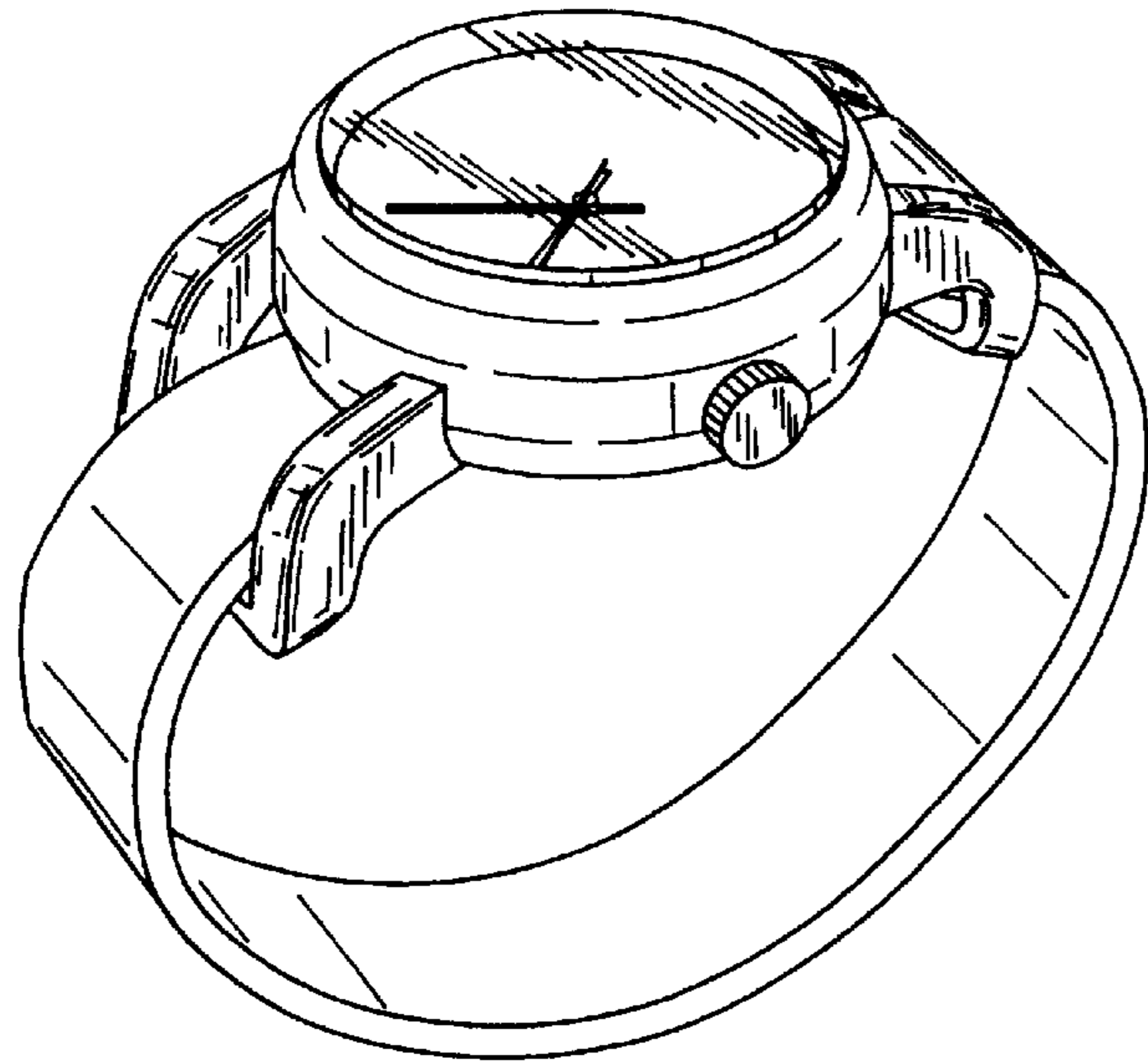


FIG. 1

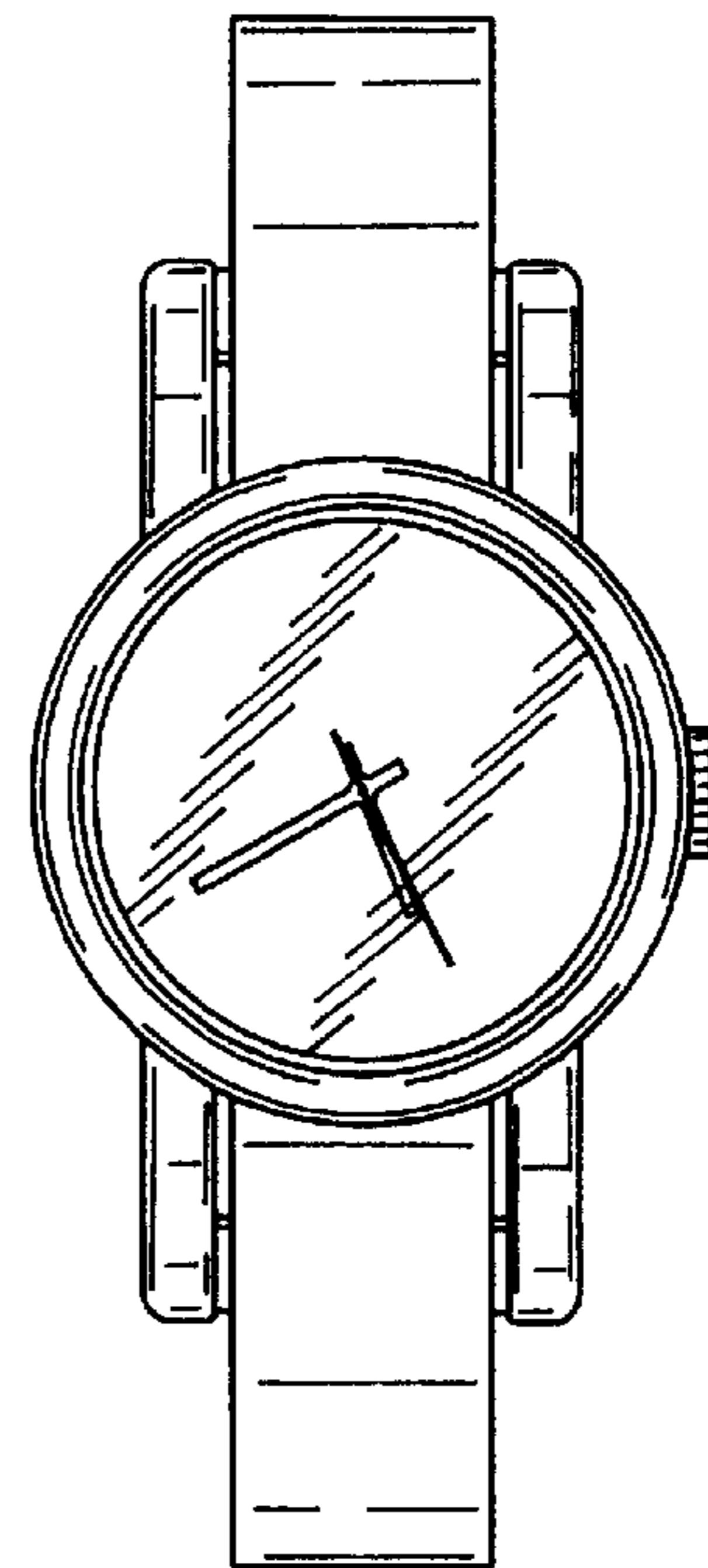


FIG. 2

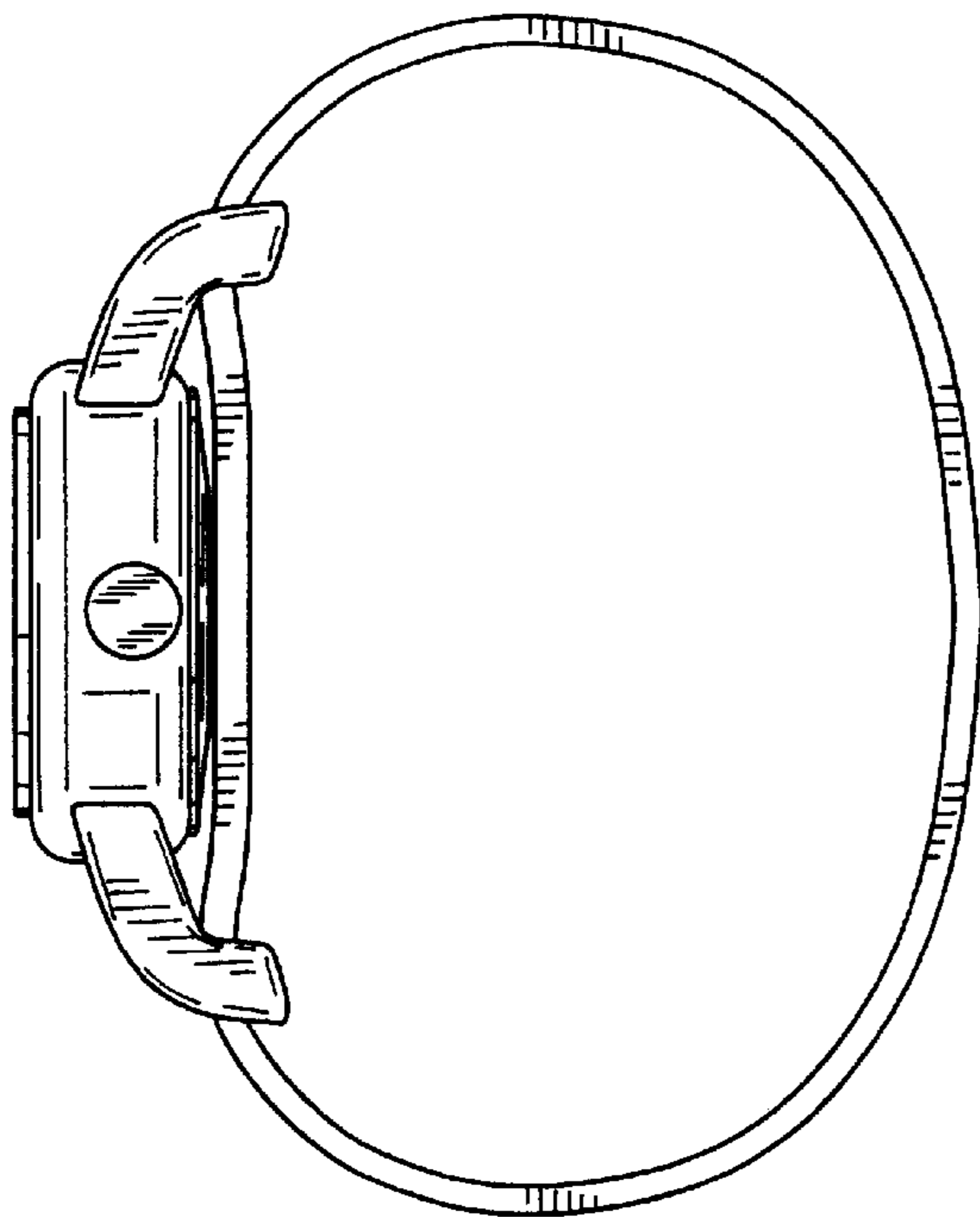


FIG. 3

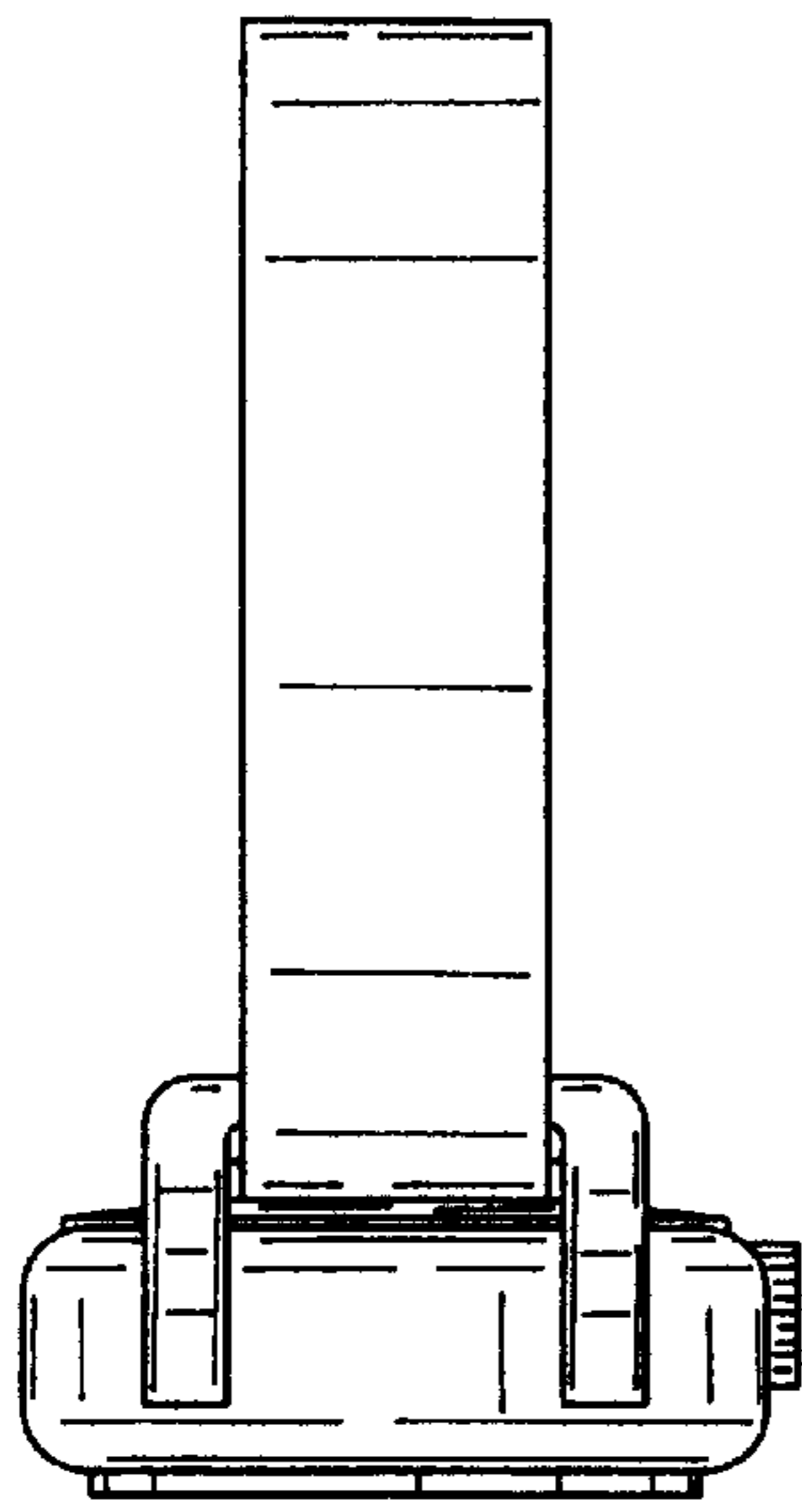


FIG. 4

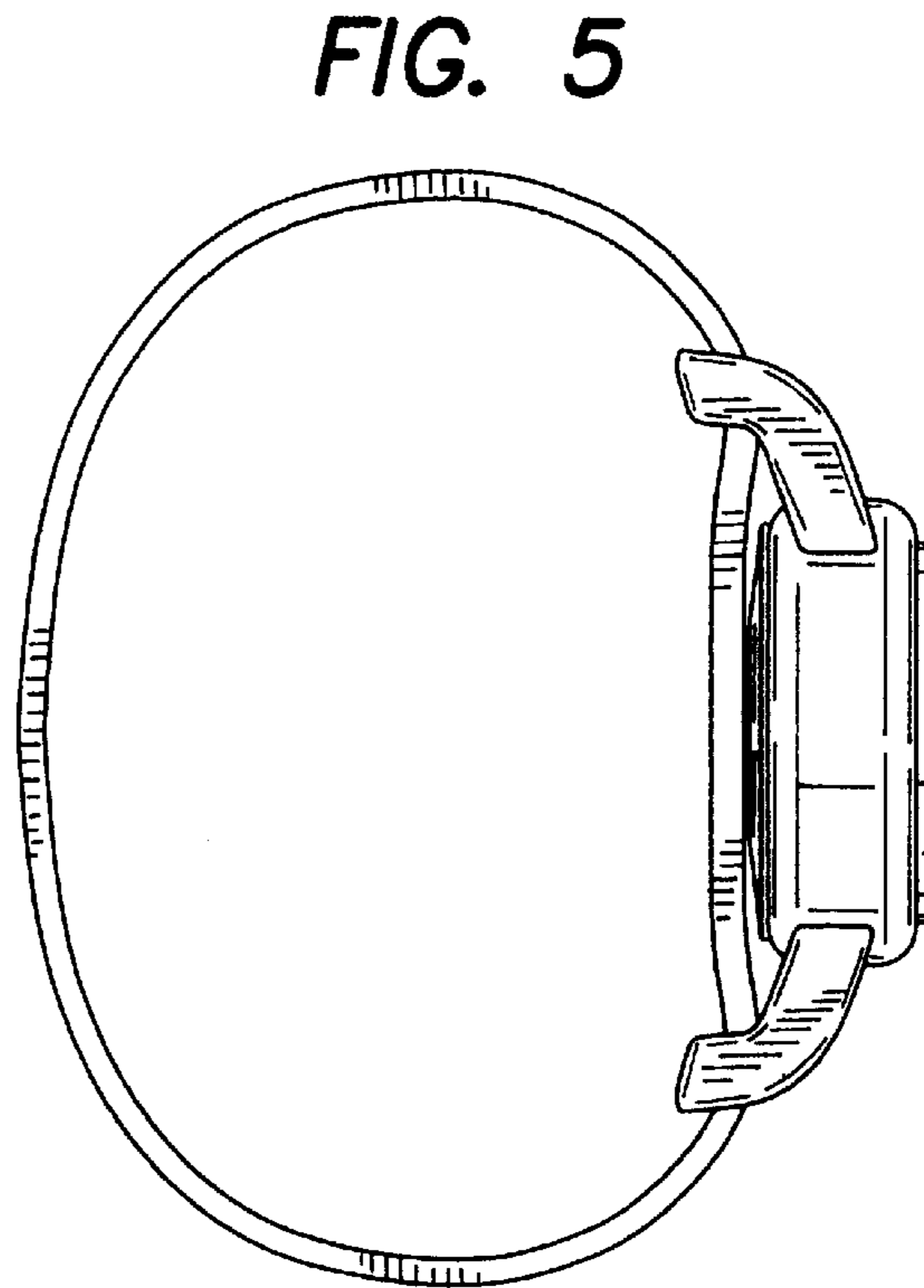


FIG. 5

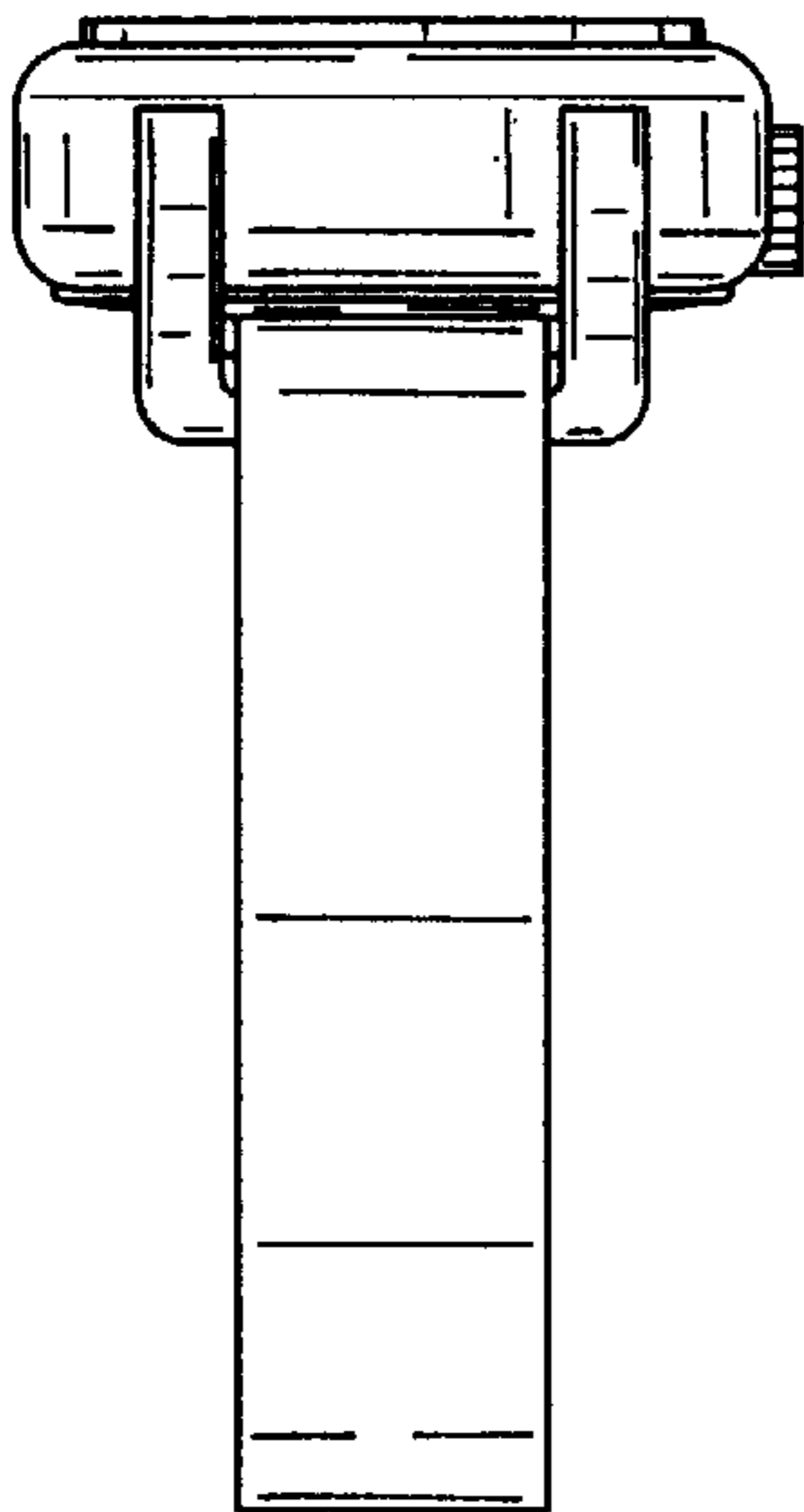


FIG. 6

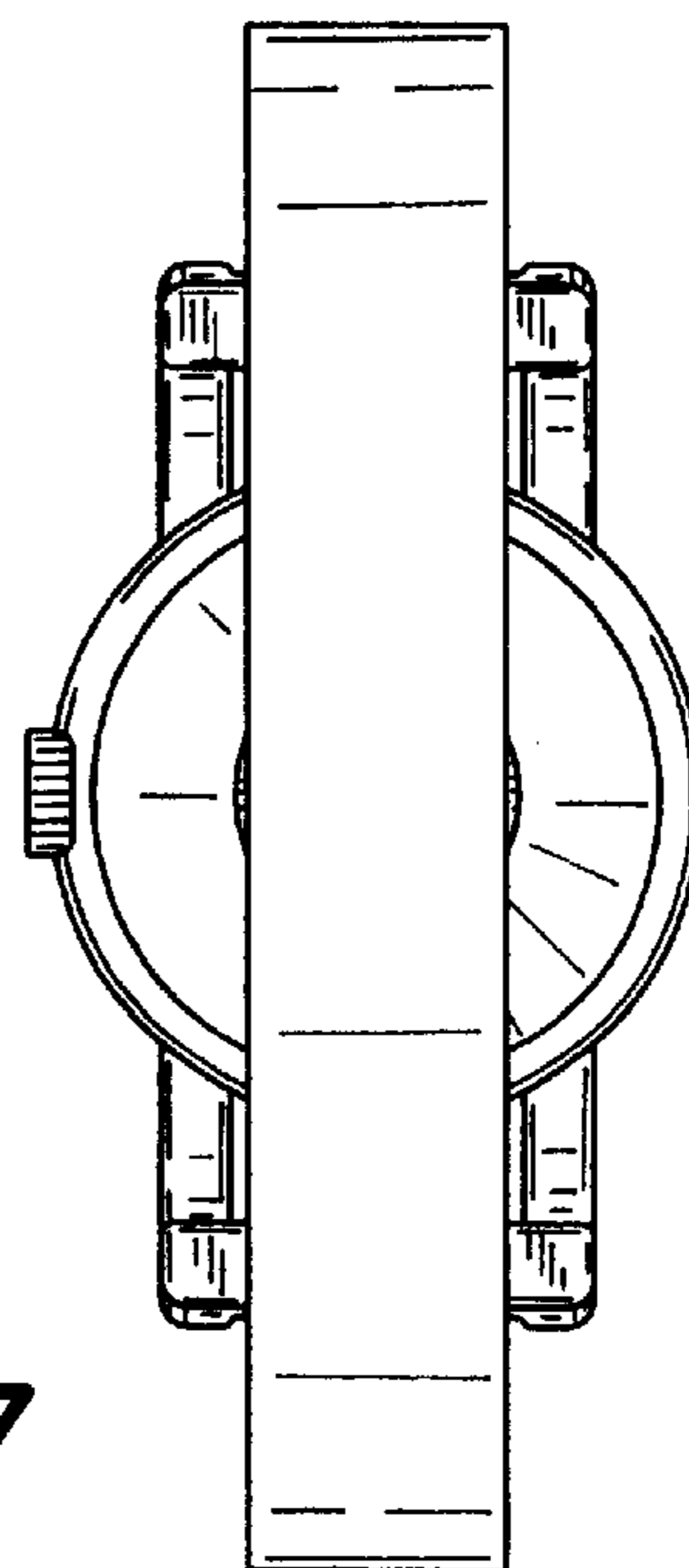


FIG. 7