



US00D543118S

(12) **United States Design Patent** (10) **Patent No.:** **US D543,118 S**
Poisson et al. (45) **Date of Patent:** **** May 22, 2007**

(54) **DROP DISPENSER**

(75) Inventors: **Patrick Poisson**, Crystal Lake, IL (US);
Lyle M. Bowman, Pleasanton, CA (US)

(73) Assignees: **R.P. Scherer Technologies, Inc.**, Las Vegas, NV (US); **Insitevision, Incorporated**, Alameda, CA (US)

(**) Term: **14 Years**

(21) Appl. No.: **29/257,372**

(22) Filed: **Apr. 3, 2006**

(51) **LOC (8) Cl.** **09-01**

(52) **U.S. Cl.** **D9/724**

(58) **Field of Classification Search** D9/529,
D9/723-727; D19/65, 66; D3/263; 206/204,
206/205, 812, 823; 221/1, 9, 135, 208, 282,
221/303; 222/1, 52, 173, 630, 566; 604/294,
604/295, 298, 300; 116/280

See application file for complete search history.

(56) **References Cited**

U.S. PATENT DOCUMENTS

D264,938 S *	6/1982	Stock	D9/724
D264,939 S *	6/1982	Stock	D9/724
D264,940 S *	6/1982	Stock	D9/724
D264,941 S *	6/1982	Stock	D9/724
D328,244 S *	7/1992	Hamilton et al.	D9/724
D355,844 S *	2/1995	Bishop et al.	D9/724
6,065,474 A *	5/2000	Coe	116/280

D491,469 S *	6/2004	Horie et al.	D9/529
D528,925 S *	9/2006	Barone et al.	D9/724
2005/0159715 A1 *	7/2005	Kusu	604/295
2006/0116649 A1 *	6/2006	Hagele	604/295

OTHER PUBLICATIONS

Declaration of Lyle M. Bowman; dated May 23, 2006 including Exhibits A and B.

* cited by examiner

Primary Examiner—Stella Reid

Assistant Examiner—Shanda C. Hill

(74) *Attorney, Agent, or Firm*—Donald O. Nickey; Michael Messina

(57) **CLAIM**

The ornamental design for a drop dispenser, as shown and described.

DESCRIPTION

FIG. 1 is a side perspective view of the drop dispenser showing the new design;

FIG. 2 is a first side view of the drop dispenser;

FIG. 3 is a second side view of the drop dispenser;

FIG. 4 is a third side view of the drop dispenser;

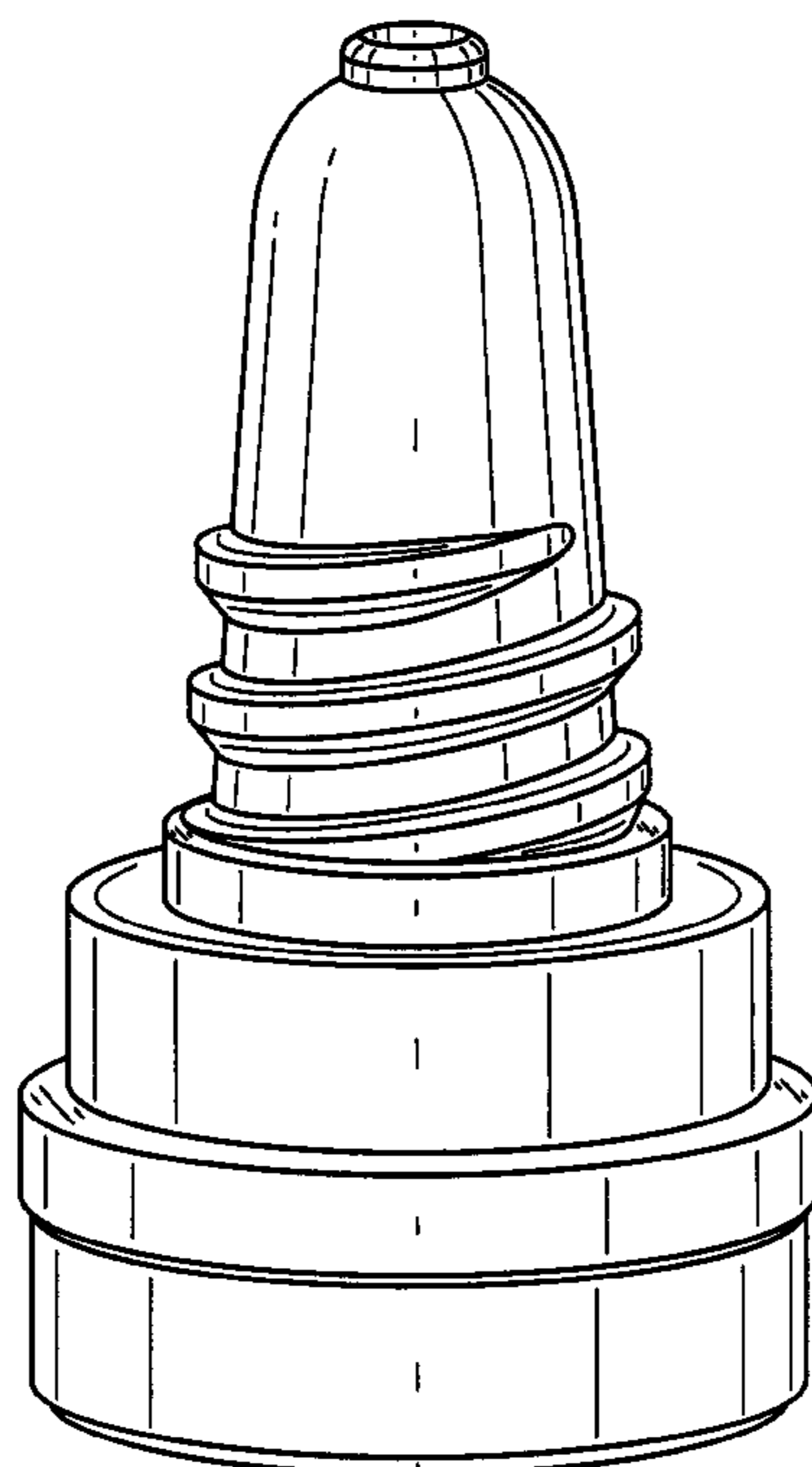
FIG. 5 is a fourth side view of the drop dispenser;

FIG. 6 is a top view of the drop dispenser;

FIG. 7 is a bottom view of the drop dispenser; and,

FIG. 8 is a cross-sectional view thereof, view taken along line 8—8 of FIG. 2.

1 Claim, 8 Drawing Sheets



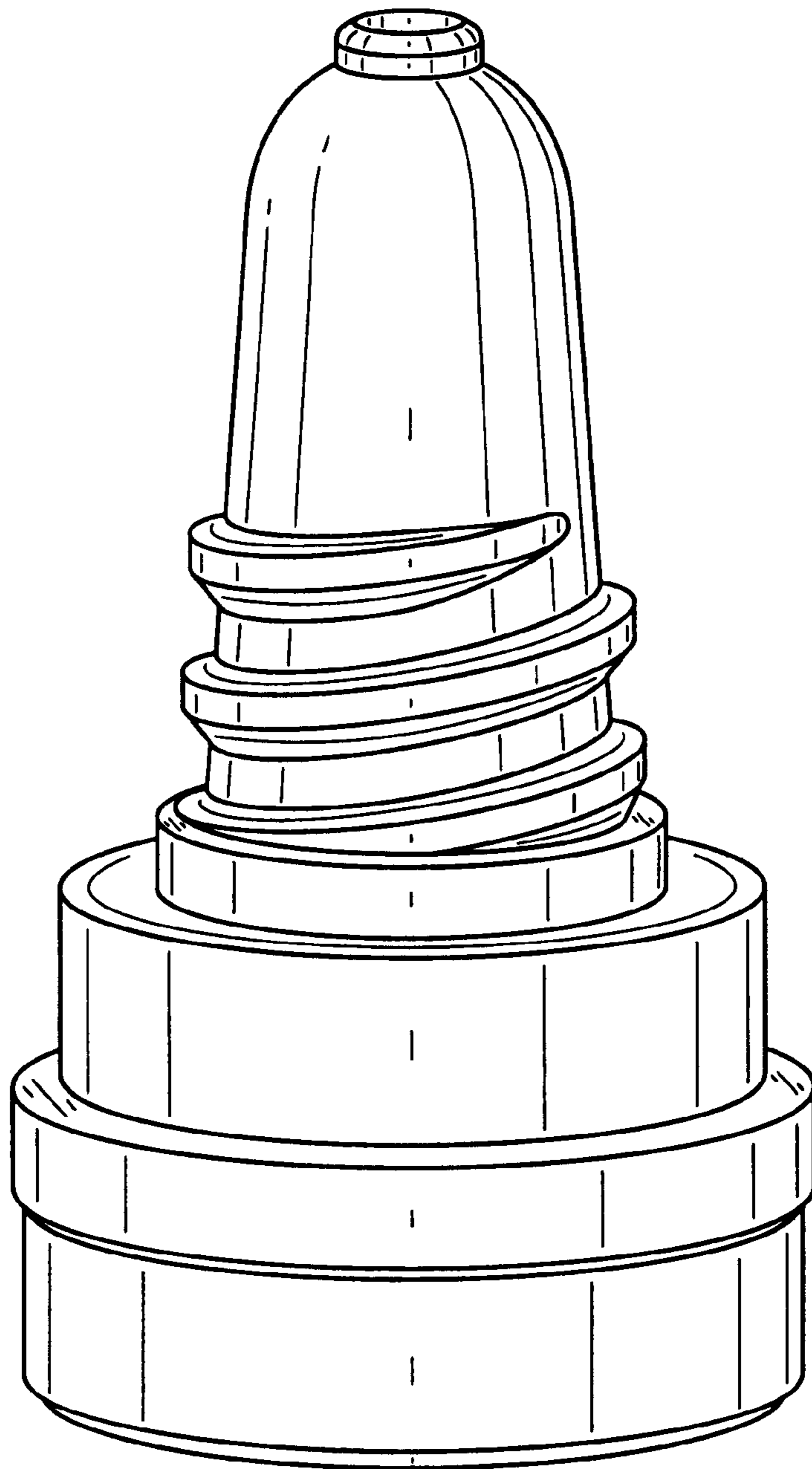


FIG. 1

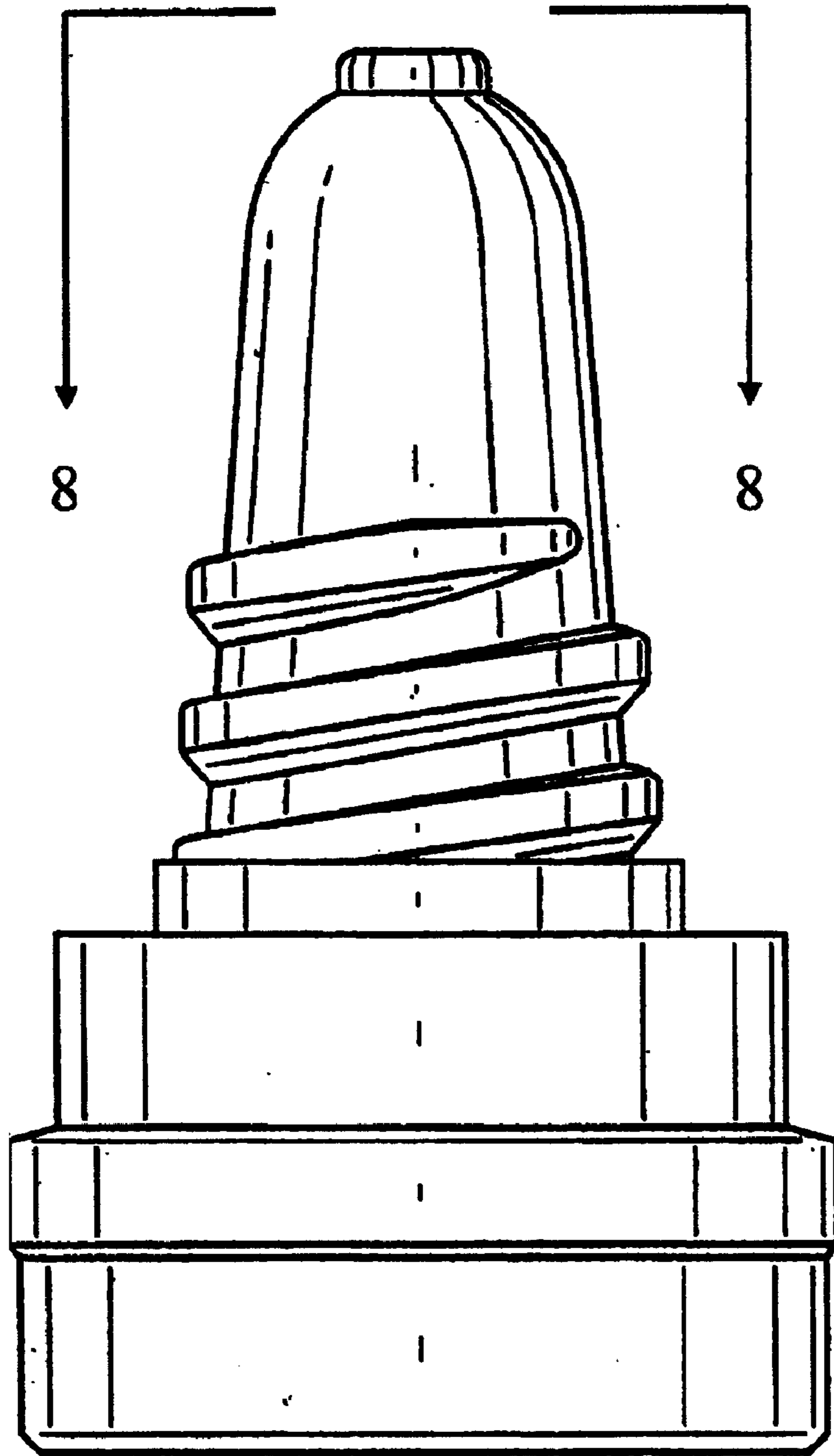


FIG. 2

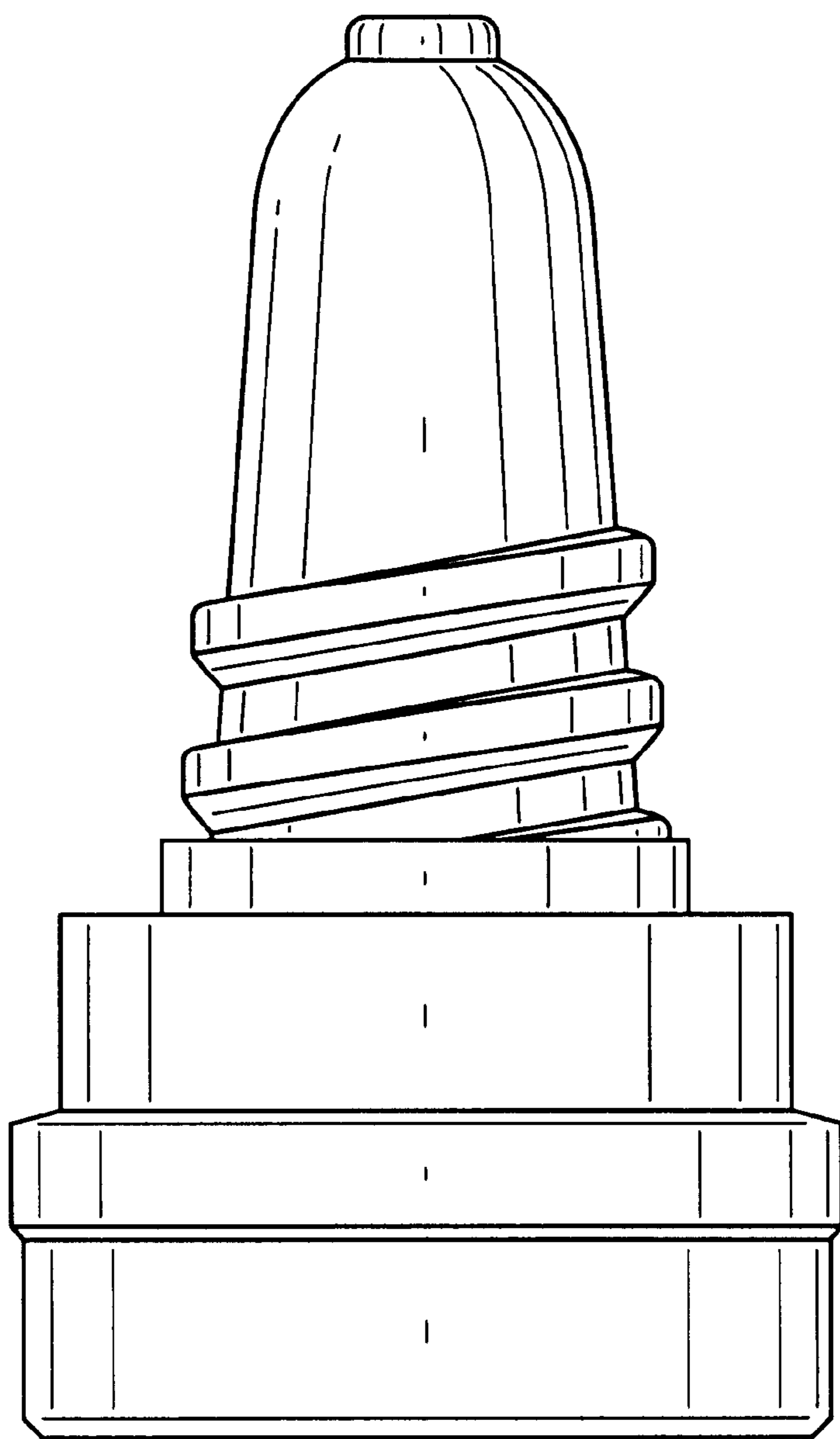


FIG. 3

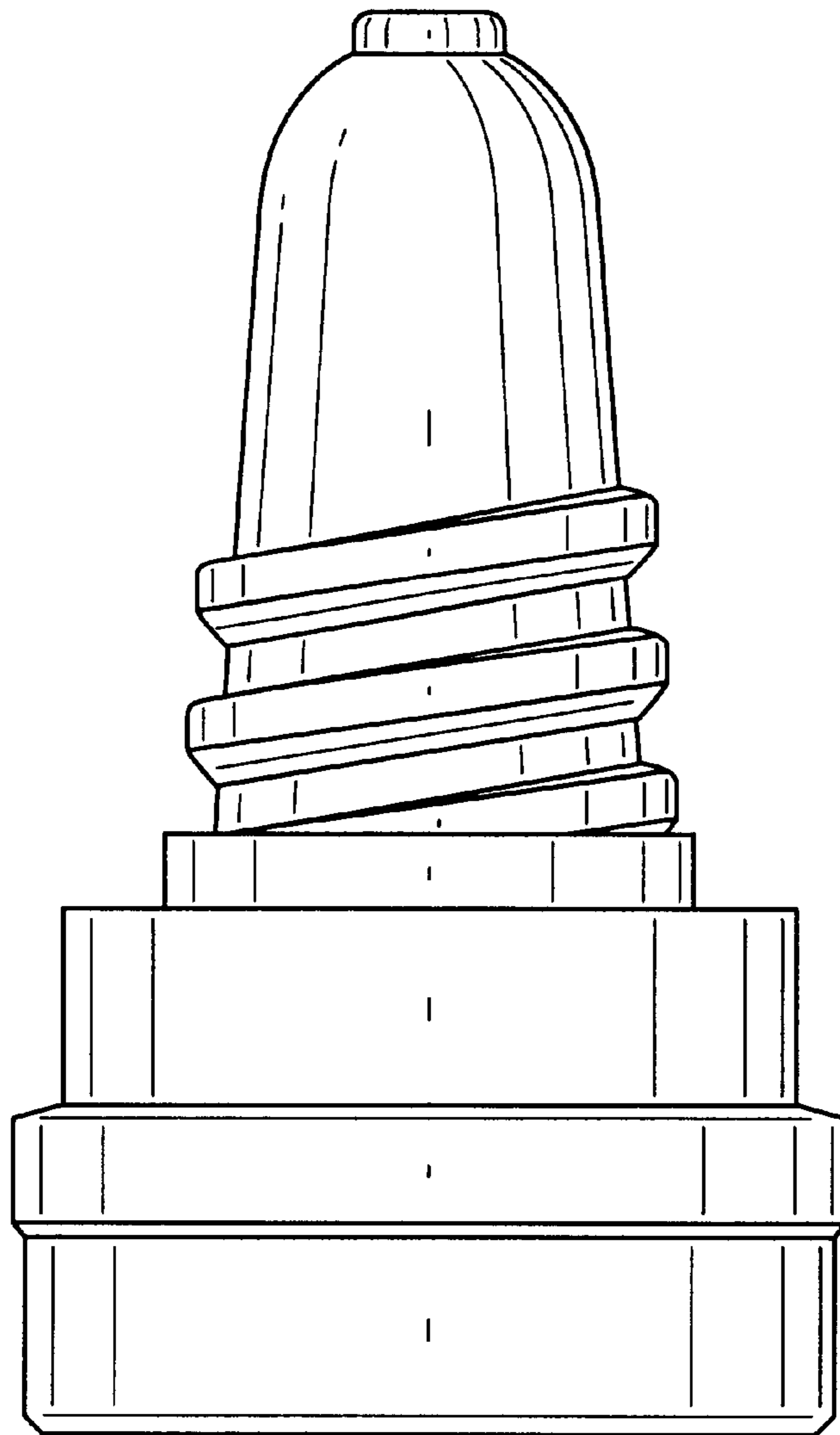


FIG. 4

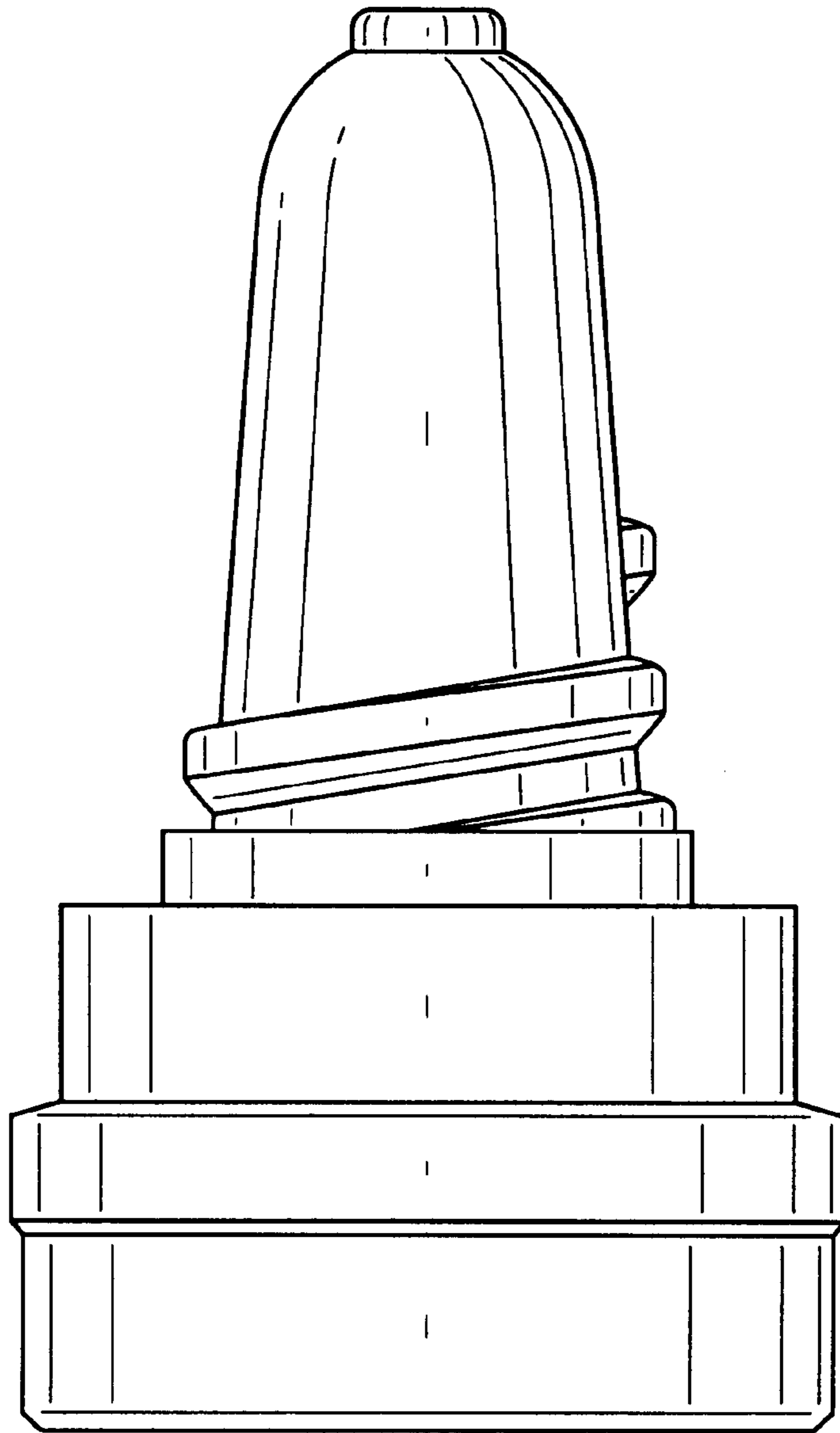


FIG. 5

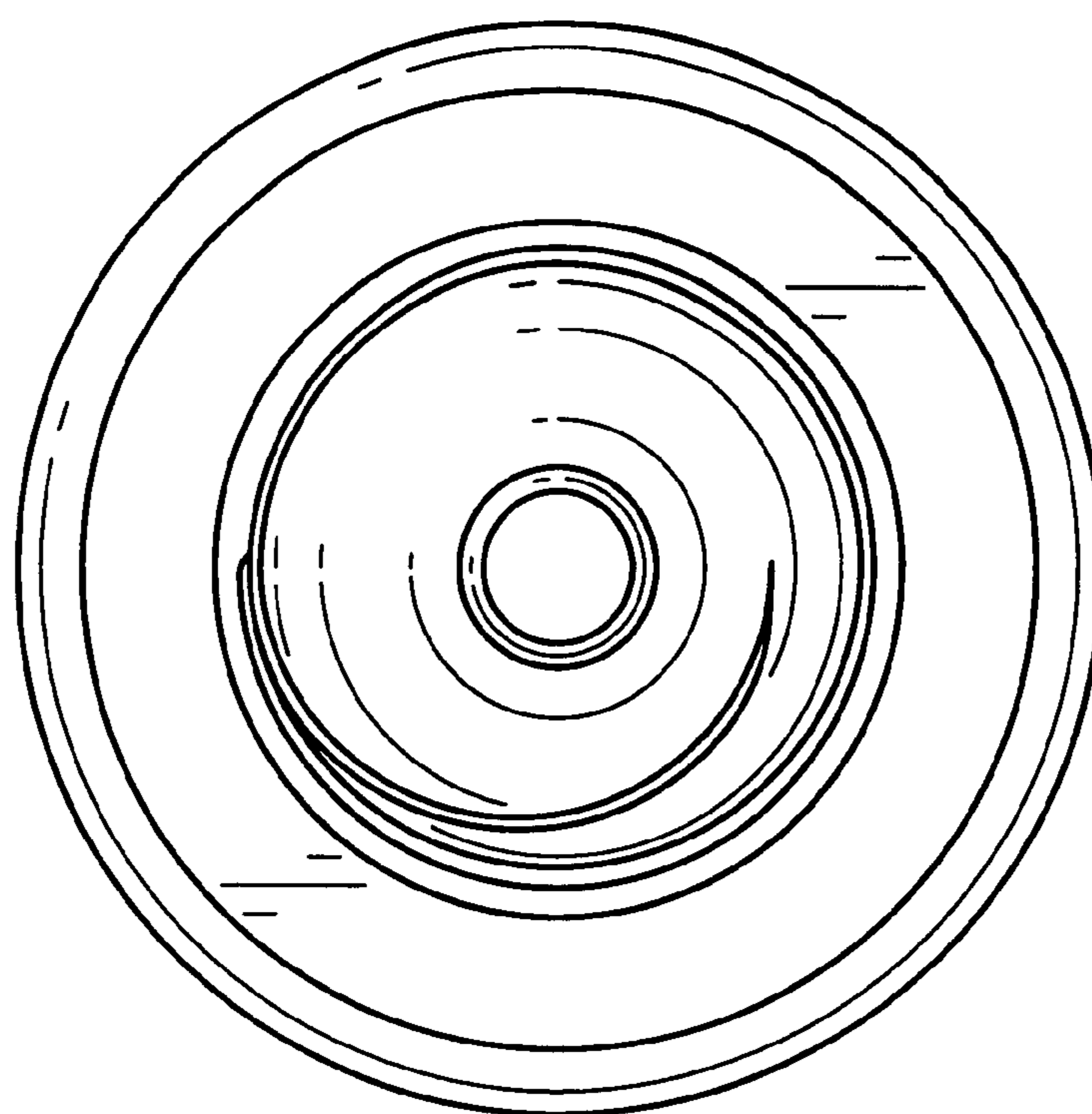


FIG. 6

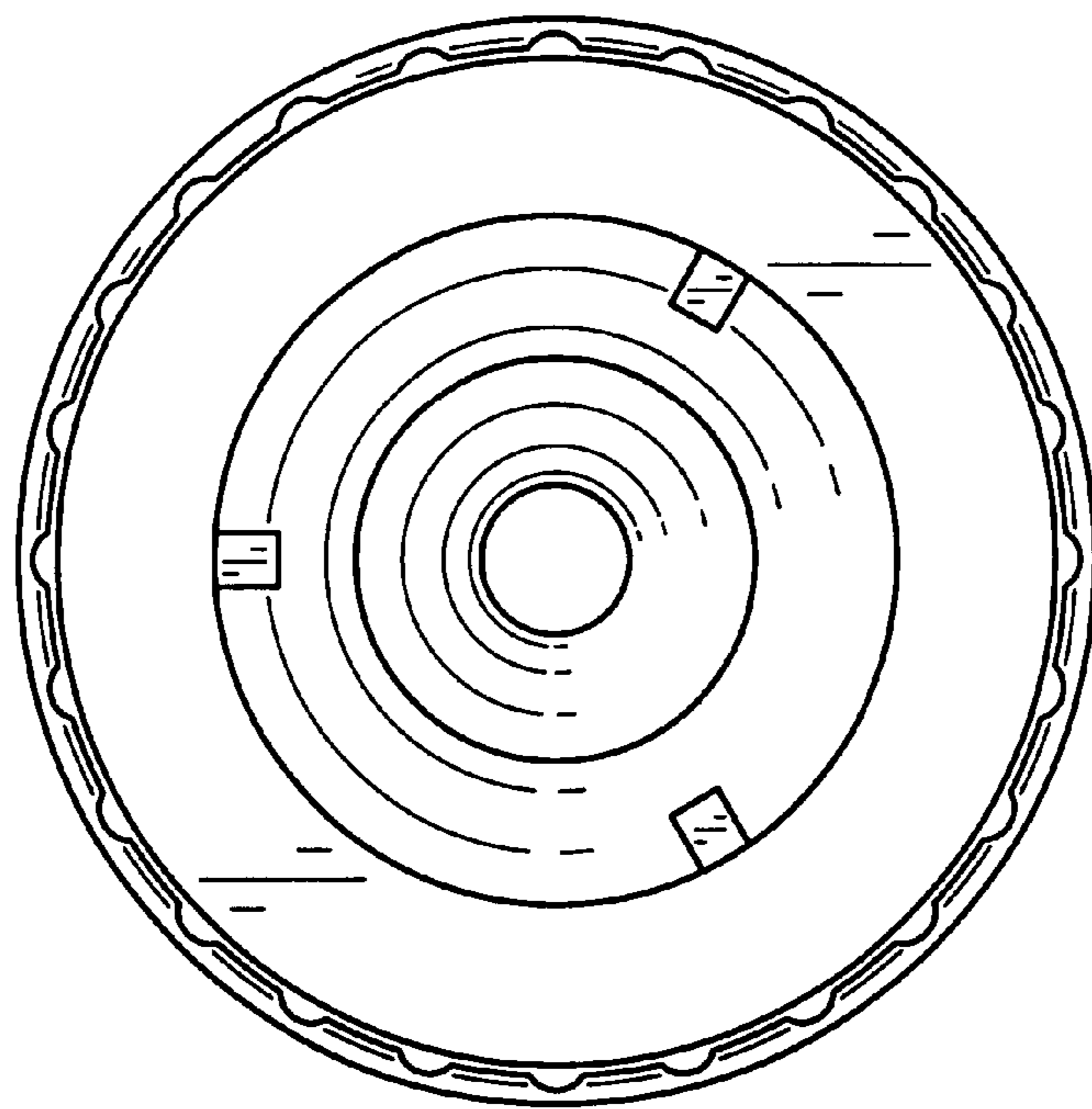


FIG. 7

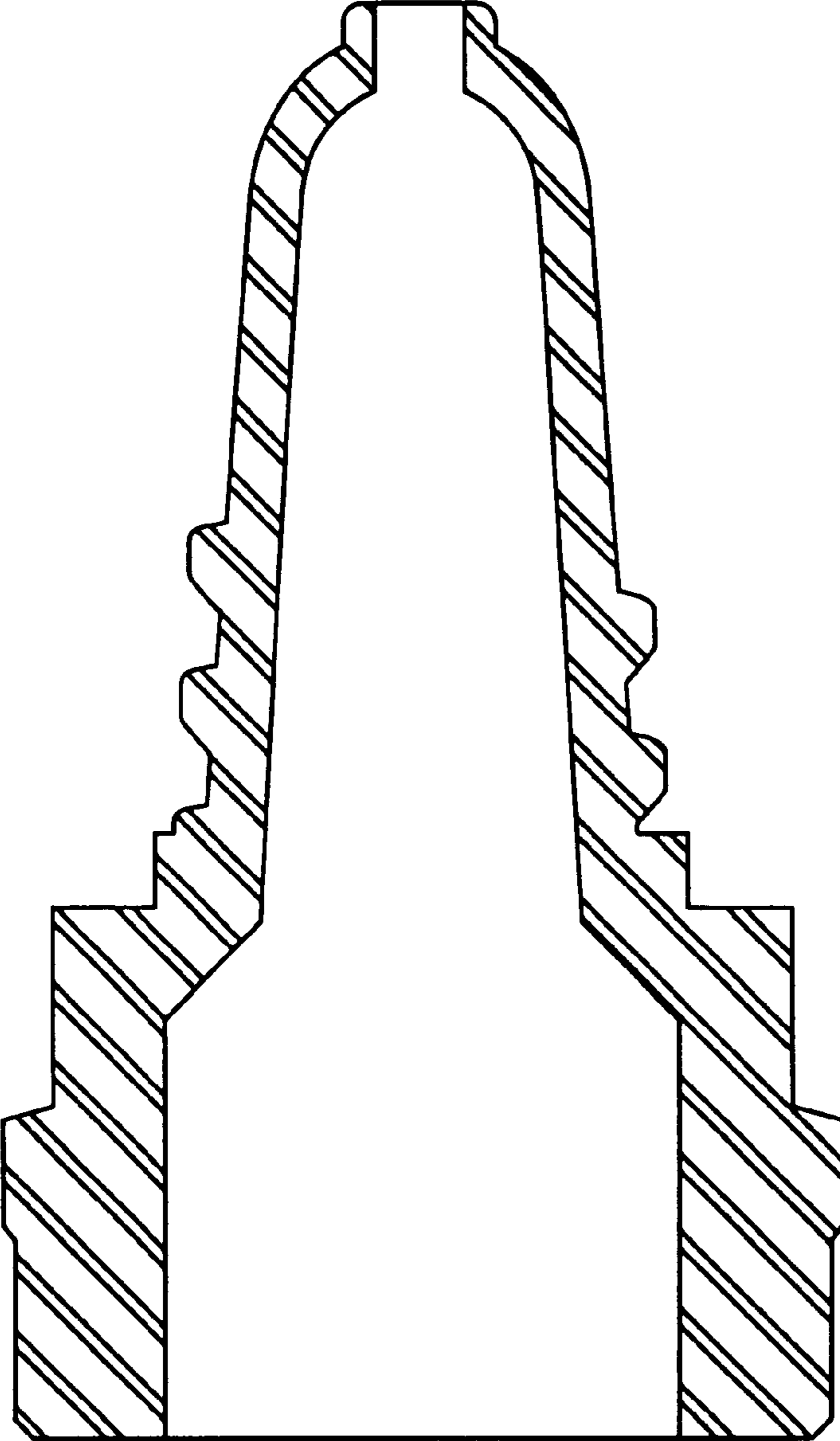


FIG. 8