



US00D543111S

(12) **United States Design Patent**
Höglund

(10) **Patent No.:** **US D543,111 S**

(45) **Date of Patent:** **** May 22, 2007**

(54) **JAR**

(75) Inventor: **Göran Höglund**, Nykarleby (FI)

(73) Assignee: **KWH Mirka Ltd**, Jeppo (FI)

(**) Term: **14 Years**

(21) Appl. No.: **29/226,319**

(22) Filed: **Mar. 28, 2005**

(30) **Foreign Application Priority Data**

Oct. 5, 2004 (EM) 000246871

(51) **LOC (8) Cl.** **09-01**

(52) **U.S. Cl.** **D9/504; D9/420**

(58) **Field of Classification Search** D9/500,
D9/502-505, 516, 523-524, 526, 529, 549-550,
D9/556-558, 655-656, 658-659, 737-738,
D9/741, 901-905; D24/121, 224; 215/379,
215/306; 220/660

See application file for complete search history.

(56) **References Cited**

U.S. PATENT DOCUMENTS

D182,779 S * 5/1958 Tupper D9/503
2,852,054 A * 9/1958 Motley 220/834
4,930,690 A * 6/1990 Angeloz et al. 222/490

4,982,880 A * 1/1991 Angeloz et al. 222/490
5,133,470 A * 7/1992 Abrams et al. 215/250
5,667,094 A * 9/1997 Rapchak et al. 220/834
6,360,909 B1 * 3/2002 Bridge 220/258.2
D472,145 S * 3/2003 Nottingham et al. D9/443

* cited by examiner

Primary Examiner—Ian Simmons

Assistant Examiner—Dana Sipos

(74) *Attorney, Agent, or Firm*—Ladas & Parry

(57) **CLAIM**

I claim the ornamental design for a jar, as shown and described.

DESCRIPTION

FIG. 1 is a top, right side, rear perspective view of a jar showing my new design;

FIG. 2 is a right side elevational view thereof, the left side elevational view being a mirror image;

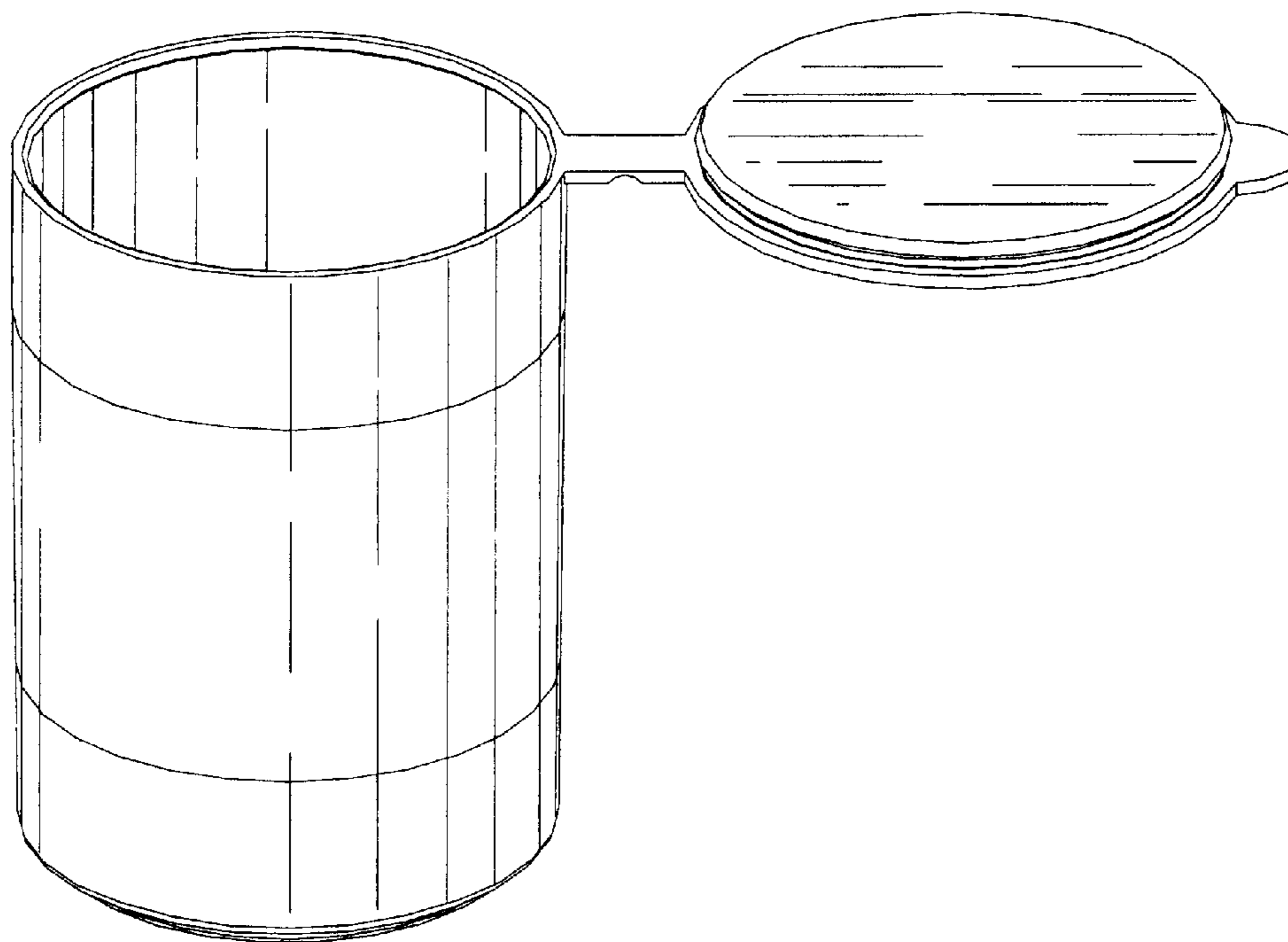
FIG. 3 is a top, right side perspective view thereof, showing the jar in an open position;

FIG. 4 is a bottom, right side, rear perspective view thereof;

FIG. 5 is a right side elevational view thereof, the left side elevational view being a mirror image; and,

FIG. 6 is a top plan view thereof.

1 Claim, 3 Drawing Sheets



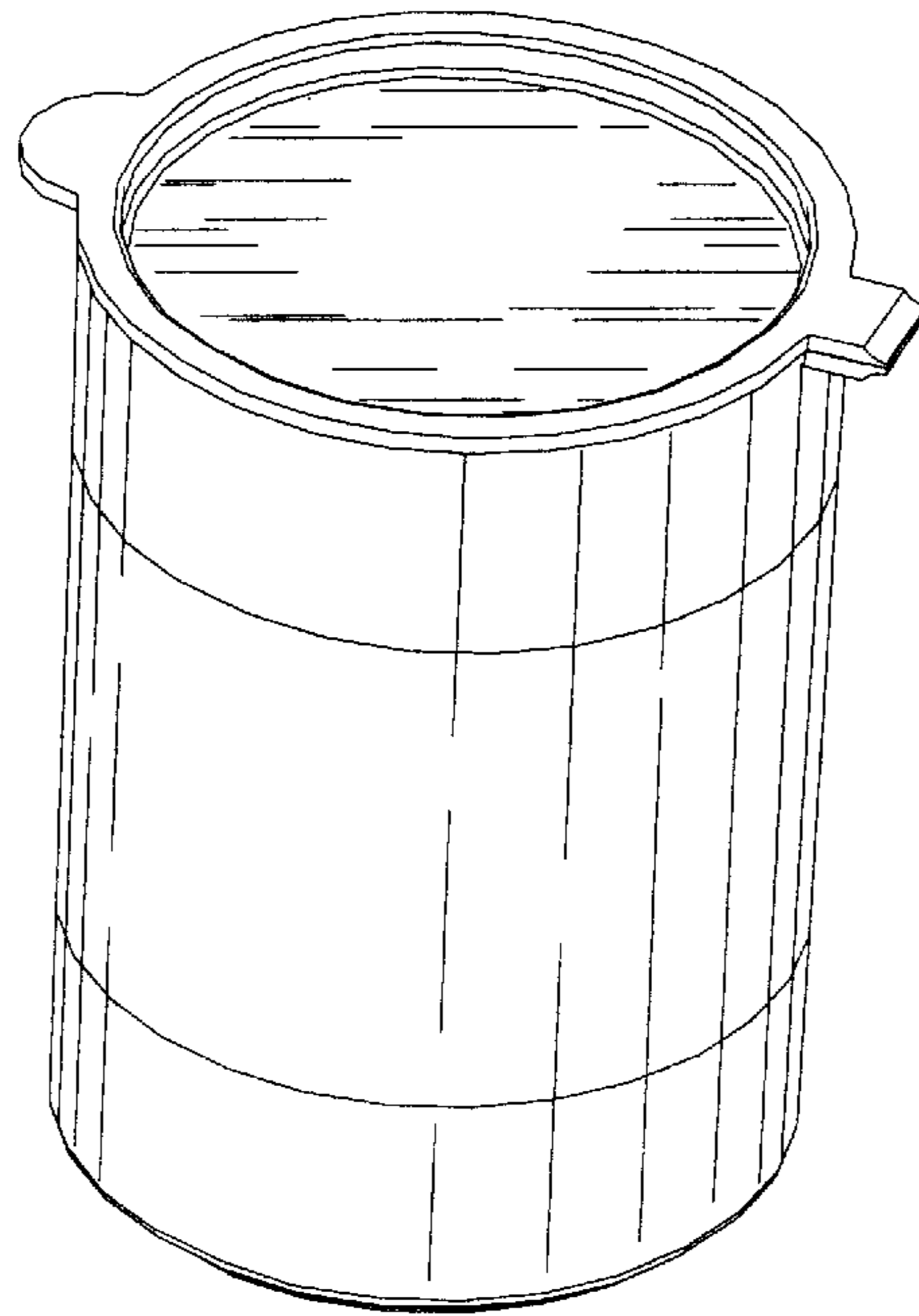


Fig. 1

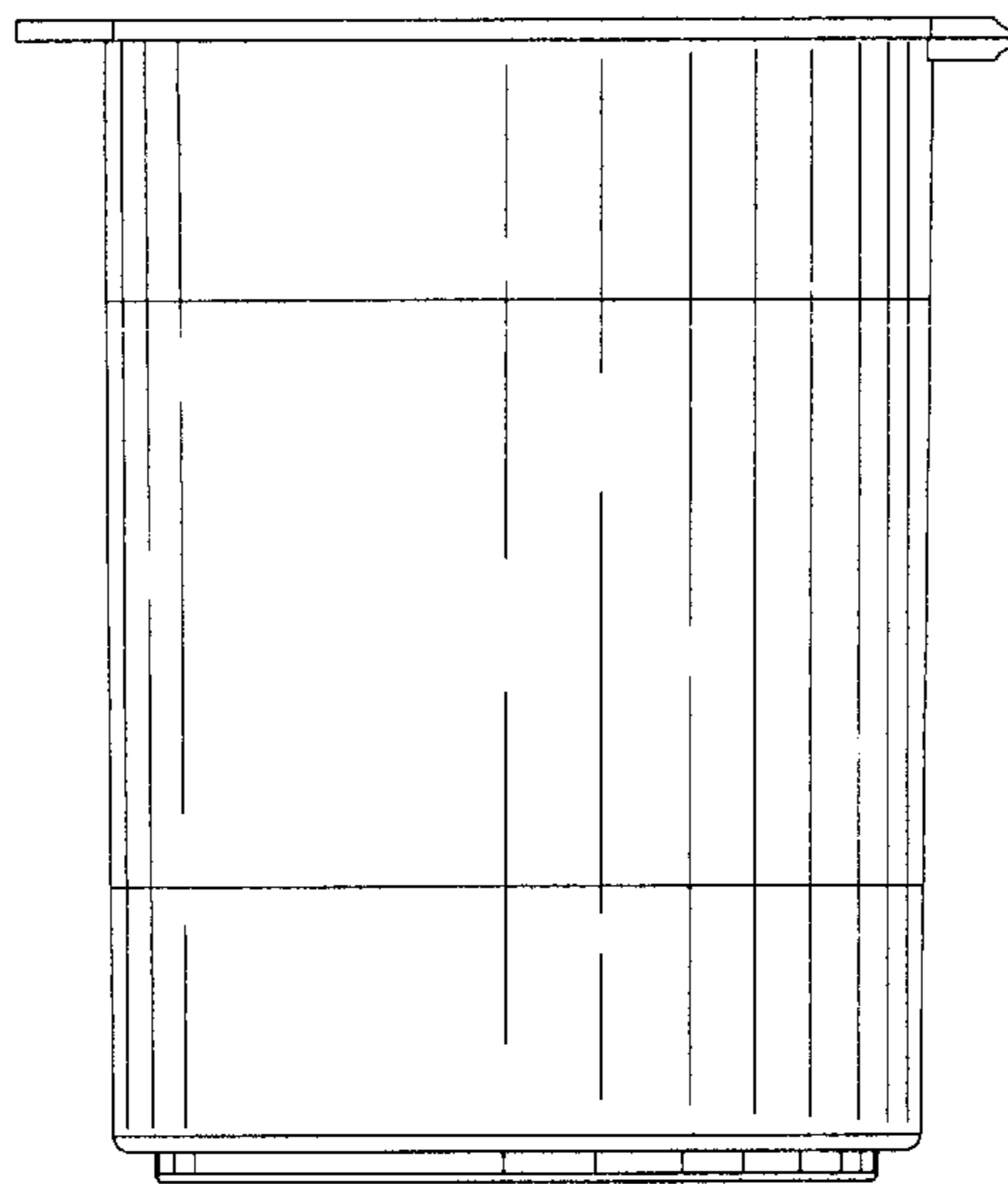


Fig. 2

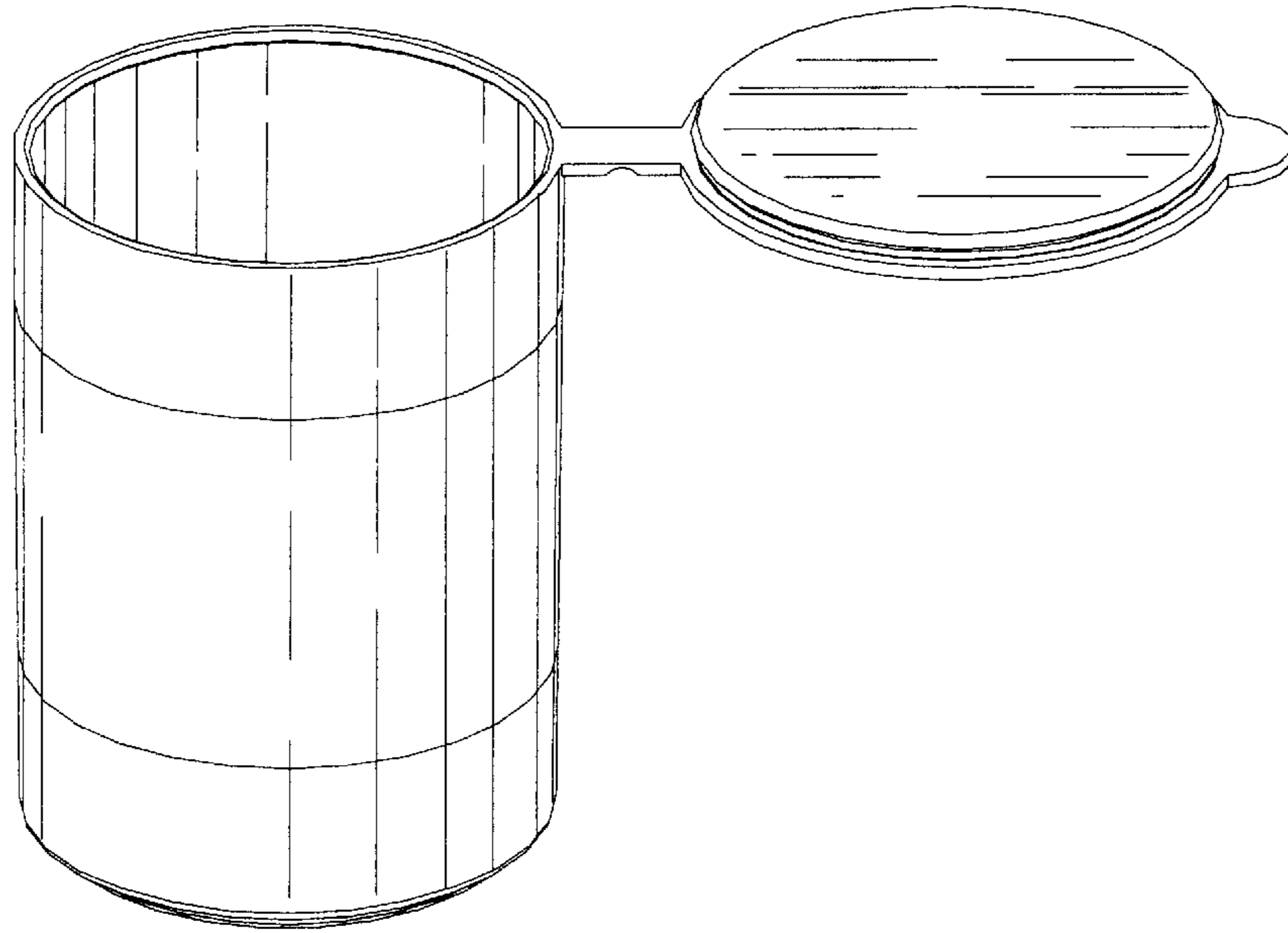


Fig. 3

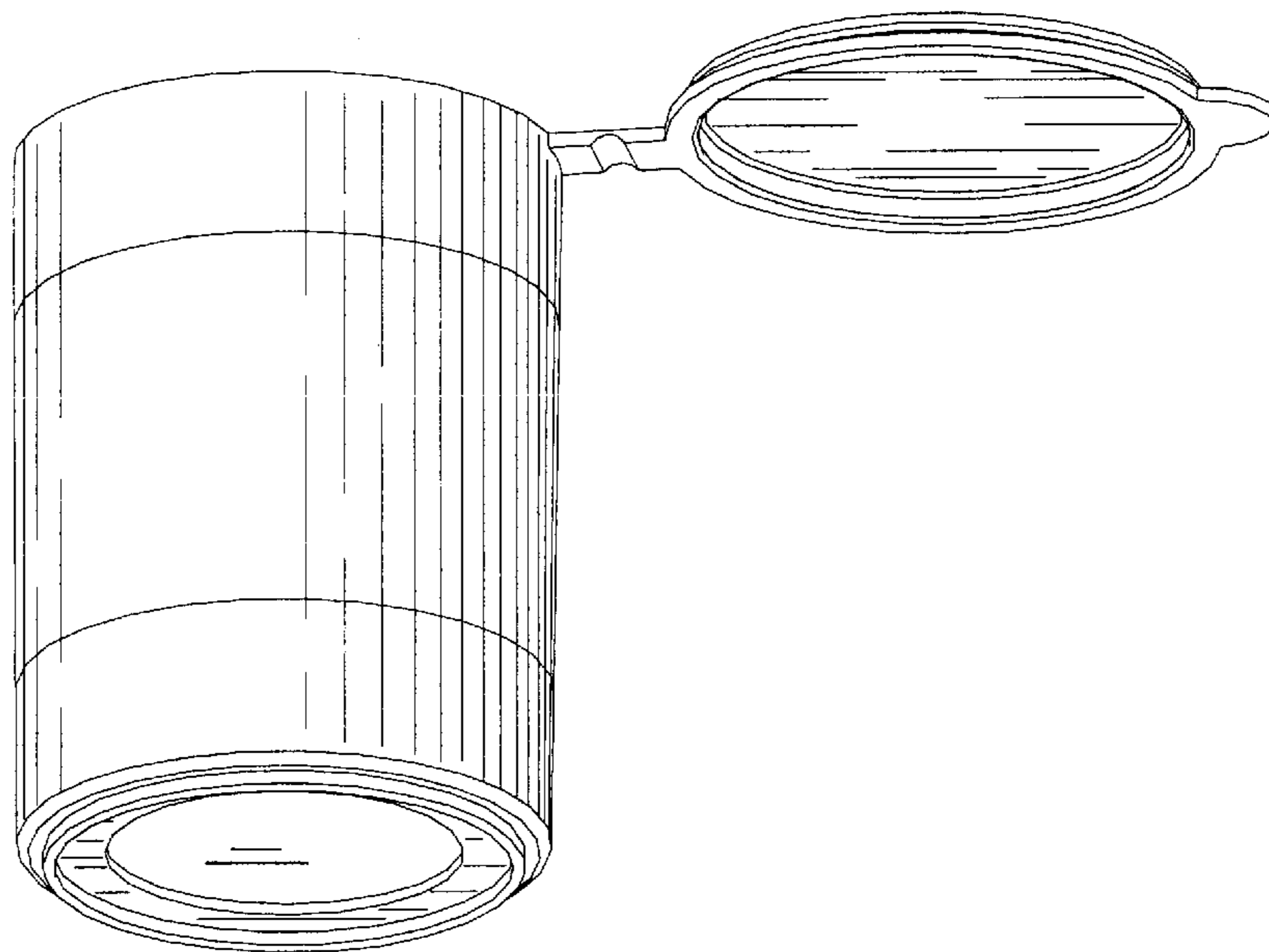


Fig. 4

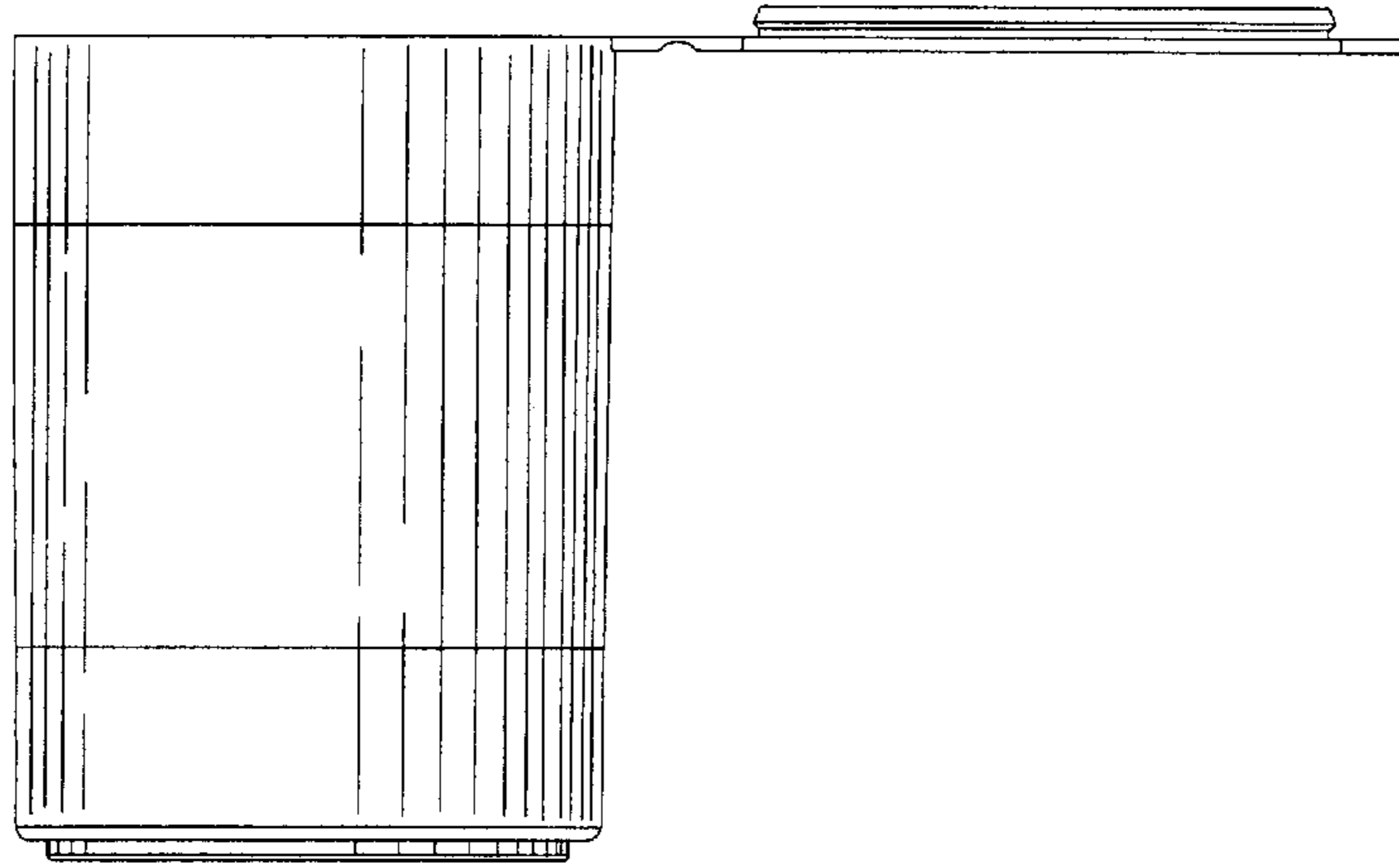


Fig. 5

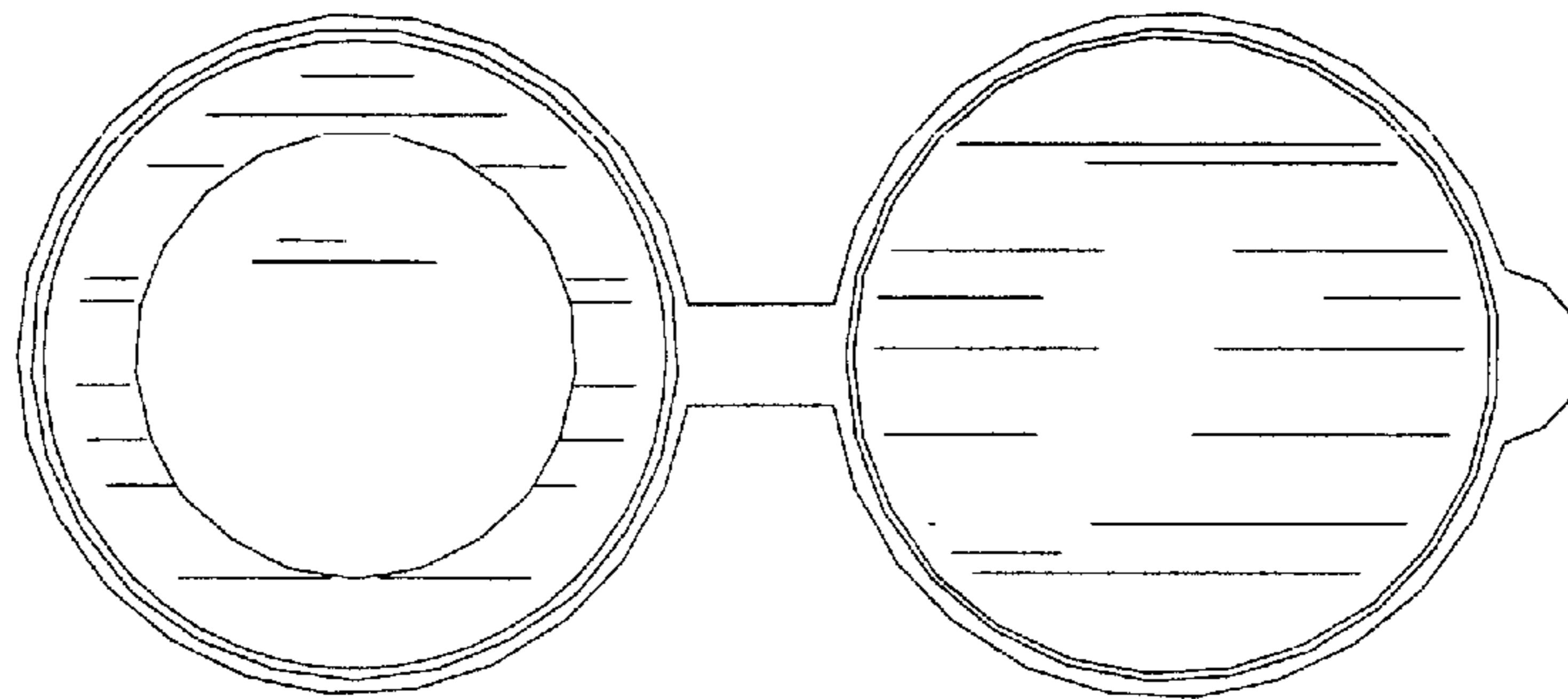


Fig. 6