



US00D543109S

(12) **United States Design Patent**  
**Carlson et al.**

(10) **Patent No.:** **US D543,109 S**

(45) **Date of Patent:** **\*\* May 22, 2007**

(54) **DESKTOP DISPENSER HOLDER**

(75) Inventors: **Jess P. Carlson**, Bay Village, OH (US);  
**David M. Pehar**, Willoughby, OH (US)

(73) Assignee: **Joseph S. Kanfer**, Richfield, OH (US)

(\*\*) Term: **14 Years**

(21) Appl. No.: **29/255,851**

(22) Filed: **Mar. 14, 2006**

(51) **LOC (8) Cl.** ..... **09-07**

(52) **U.S. Cl.** ..... **D9/455**

(58) **Field of Classification Search** ..... D9/455,  
D9/434, 414, 456; D6/536, 532, 529; D3/901;  
D19/75; 206/63.5, 581, 576, 557, 307, 449,  
206/456, 562, 486-490, 564, 371, 229, 210,  
206/205

See application file for complete search history.

(56) **References Cited**

**U.S. PATENT DOCUMENTS**

- 1,659,315 A \* 2/1928 Dailey ..... 206/63.5
- D130,224 S \* 11/1941 Guttman ..... D9/455
- D207,808 S \* 5/1967 Coulthurst ..... D9/455
- D424,443 S \* 5/2000 Panetti ..... D9/455

- D434,600 S \* 12/2000 Garcia et al. .... D7/397
- D469,692 S \* 2/2003 Meeker et al. .... D9/432
- D508,595 S \* 8/2005 Reiter ..... D34/6
- 2006/0180494 A1 \* 8/2006 Avery ..... 206/557

\* cited by examiner

*Primary Examiner*—Robert M. Spear

*Assistant Examiner*—Susan Bennett Hattan

(74) *Attorney, Agent, or Firm*—Renner, Kenner, Greive,  
Bobak, Taylor & Weber

(57) **CLAIM**

The ornamental design for a desktop dispenser holder, as shown and described.

**DESCRIPTION**

FIG. 1 is a perspective view of a new design for a desktop dispenser holder shown in FIG. 1;

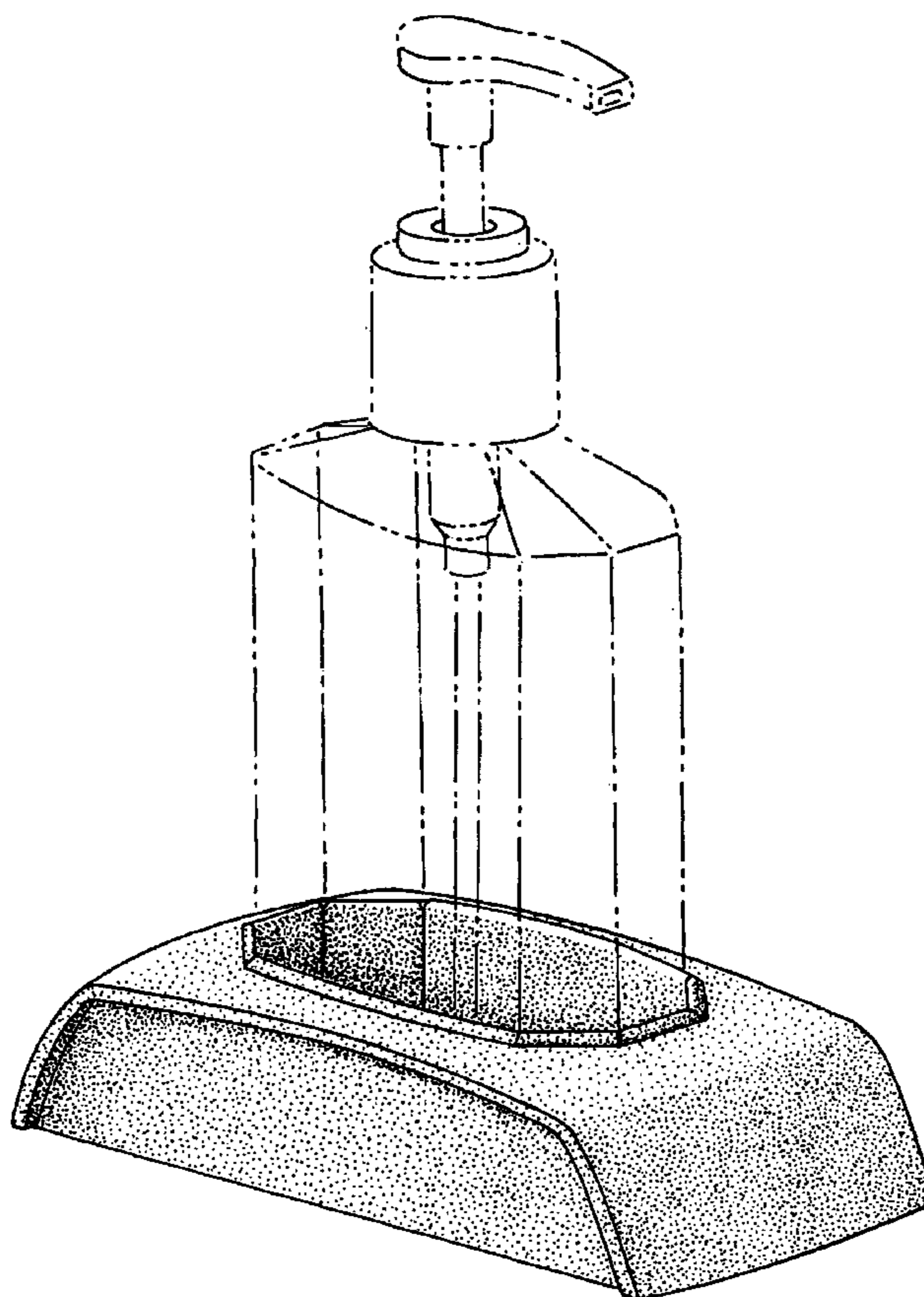
FIG. 2 is an end elevational view of the desktop dispenser holder shown in FIG. 1;

FIG. 3 is a side elevational view of the desktop dispenser holder shown in FIG. 1; and,

FIG. 4 is a top view.

The broken lines on the drawing are included for illustrative purposes only and form no part of the claimed design.

**1 Claim, 3 Drawing Sheets**



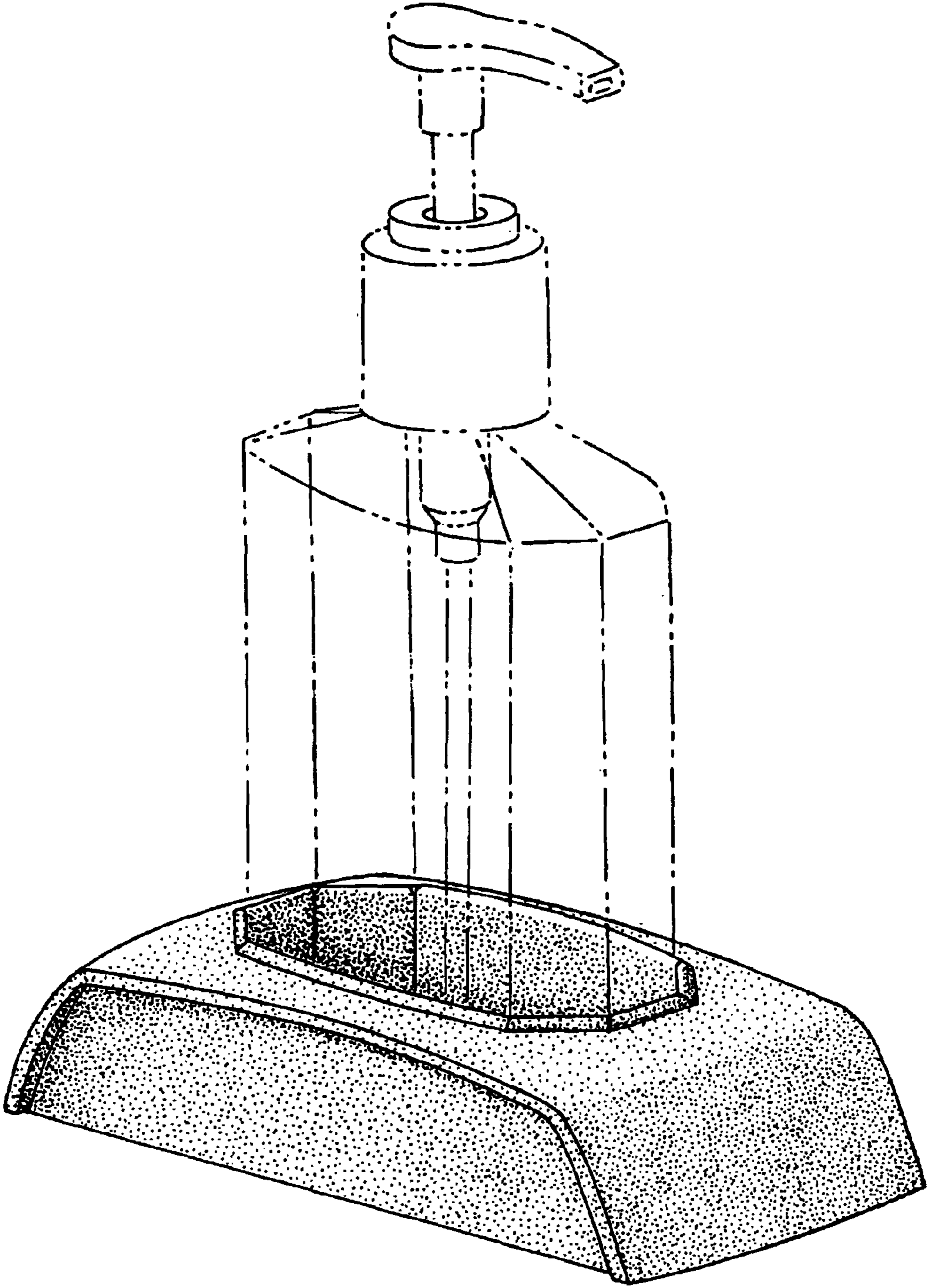


FIG. - 1

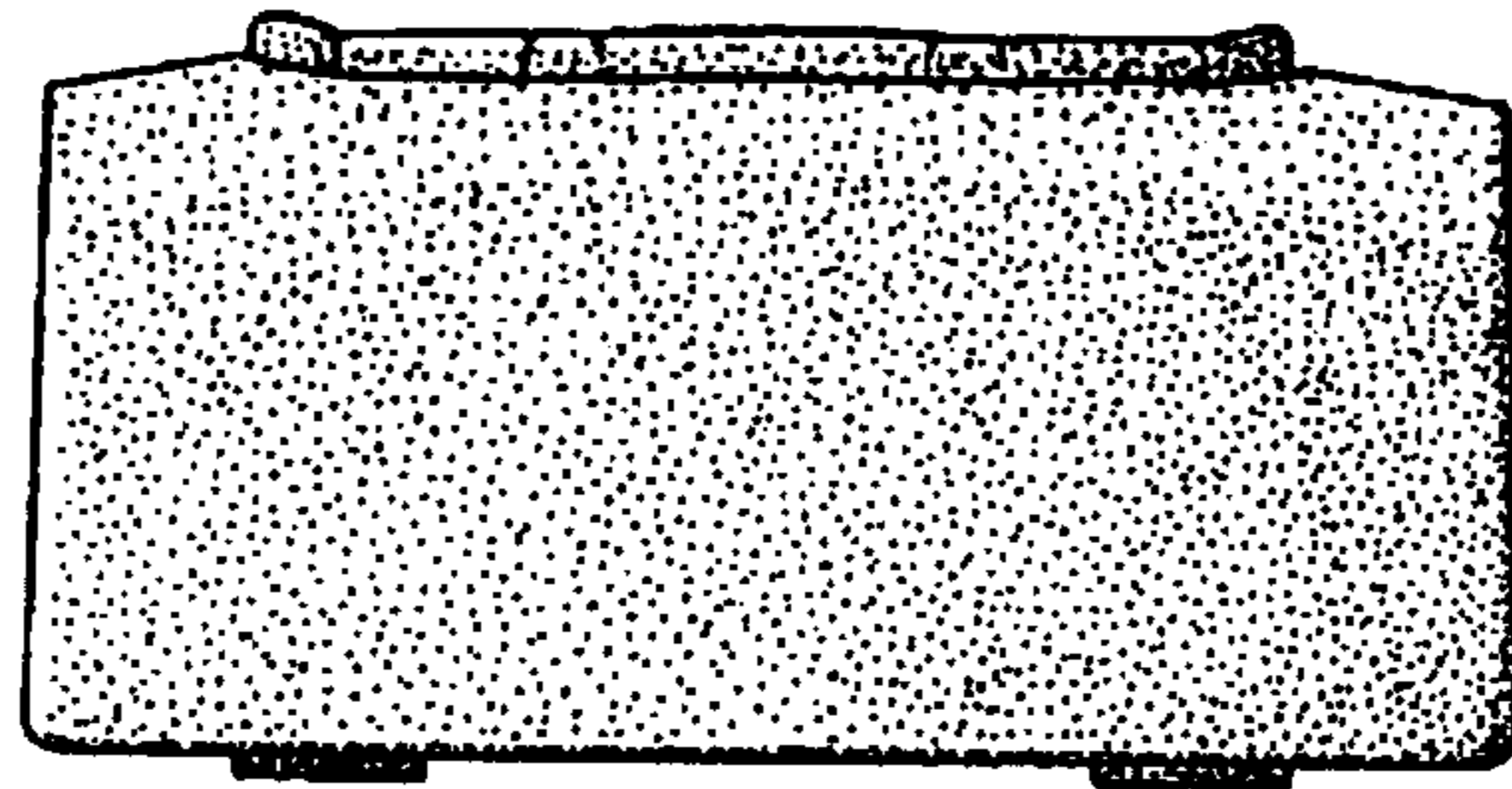


FIG. - 2

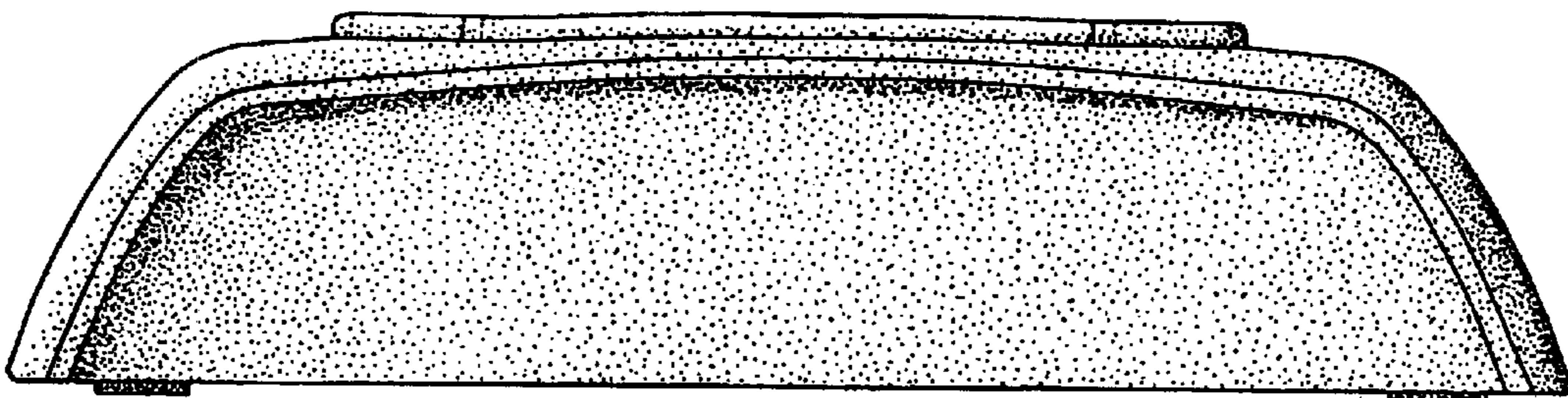


FIG. - 3

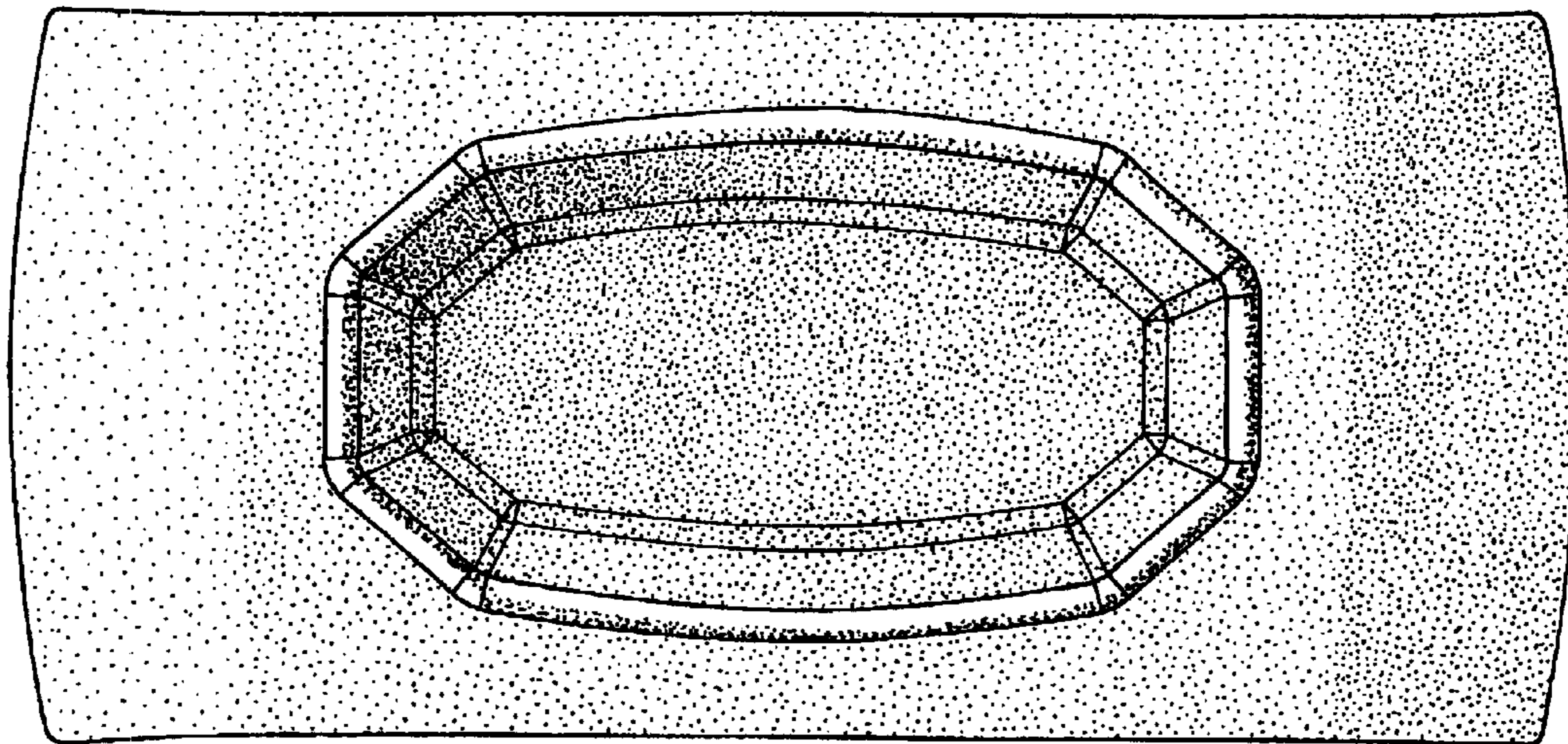


FIG.-4