

US00D543107S

(12) **United States Design Patent**  
**Reed et al.**

(10) **Patent No.: US D543,107 S**

(45) **Date of Patent: \*\* May 22, 2007**

(54) **CONTAINER CAP**

(75) Inventors: **David F. Reed**, Wheeling, WV (US);  
**Louis S. Comadena**, Burr Ridge, IL (US)

(73) Assignee: **Penn-Wheeling Closure, LLC**, Glen Dale, WV (US)

(\*\*) Term: **14 Years**

(21) Appl. No.: **29/247,555**

(22) Filed: **Jun. 26, 2006**

(51) **LOC (8) Cl.** ..... **09-07**

(52) **U.S. Cl.** ..... **D9/453; D9/454**

(58) **Field of Classification Search** ..... D9/690,  
D9/688, 686, 569, 529, 503, 454, 453, 452,  
D9/447, 436, 435, 429; 215/331, 330, 329,  
215/317, 316, 272; D12/197; D7/629  
See application file for complete search history.

(56) **References Cited**

**U.S. PATENT DOCUMENTS**

1,793,024 A	*	2/1931	Scofield	.....	215/317
D105,723 S	*	8/1937	Wheaton	.....	D9/453
D201,320 S	*	6/1965	Hirohama	.....	D9/453
D266,906 S	*	11/1982	Guerette	.....	D9/453
D304,424 S	*	11/1989	Dawson	.....	D9/453

D315,507 S	*	3/1991	Ochs	.....	D9/453
D318,804 S	*	8/1991	Ochs	.....	D9/453
D359,451 S	*	6/1995	Dees	.....	D9/443
D437,228 S	*	2/2001	Collins	.....	D9/453
D460,357 S	*	7/2002	Kras et al.	.....	D9/435
D471,813 S	*	3/2003	Shenkar	.....	D9/452
D515,429 S	*	2/2006	Pace	.....	D9/529
D518,717 S	*	4/2006	German	.....	D9/453

\* cited by examiner

*Primary Examiner*—Robert M. Spear

*Assistant Examiner*—Susan Bennett Hattan

(74) *Attorney, Agent, or Firm*—Schwegman, Lundberg, Woessner & Kluth P.A.

(57) **CLAIM**

The ornamental design for a container cap, as shown and described.

**DESCRIPTION**

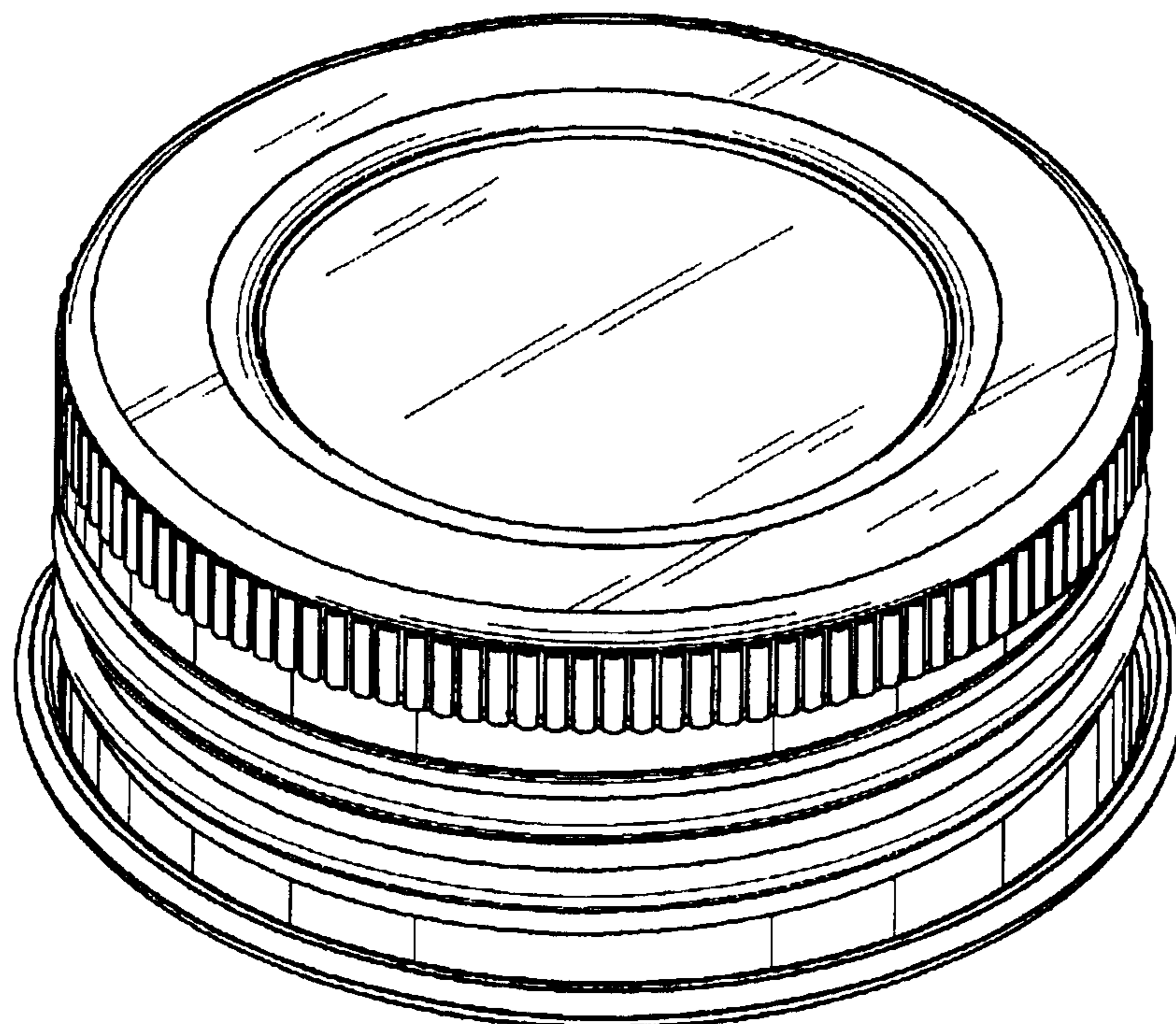
FIG. 1 is a top perspective view of a container cap, incorporating the new design.

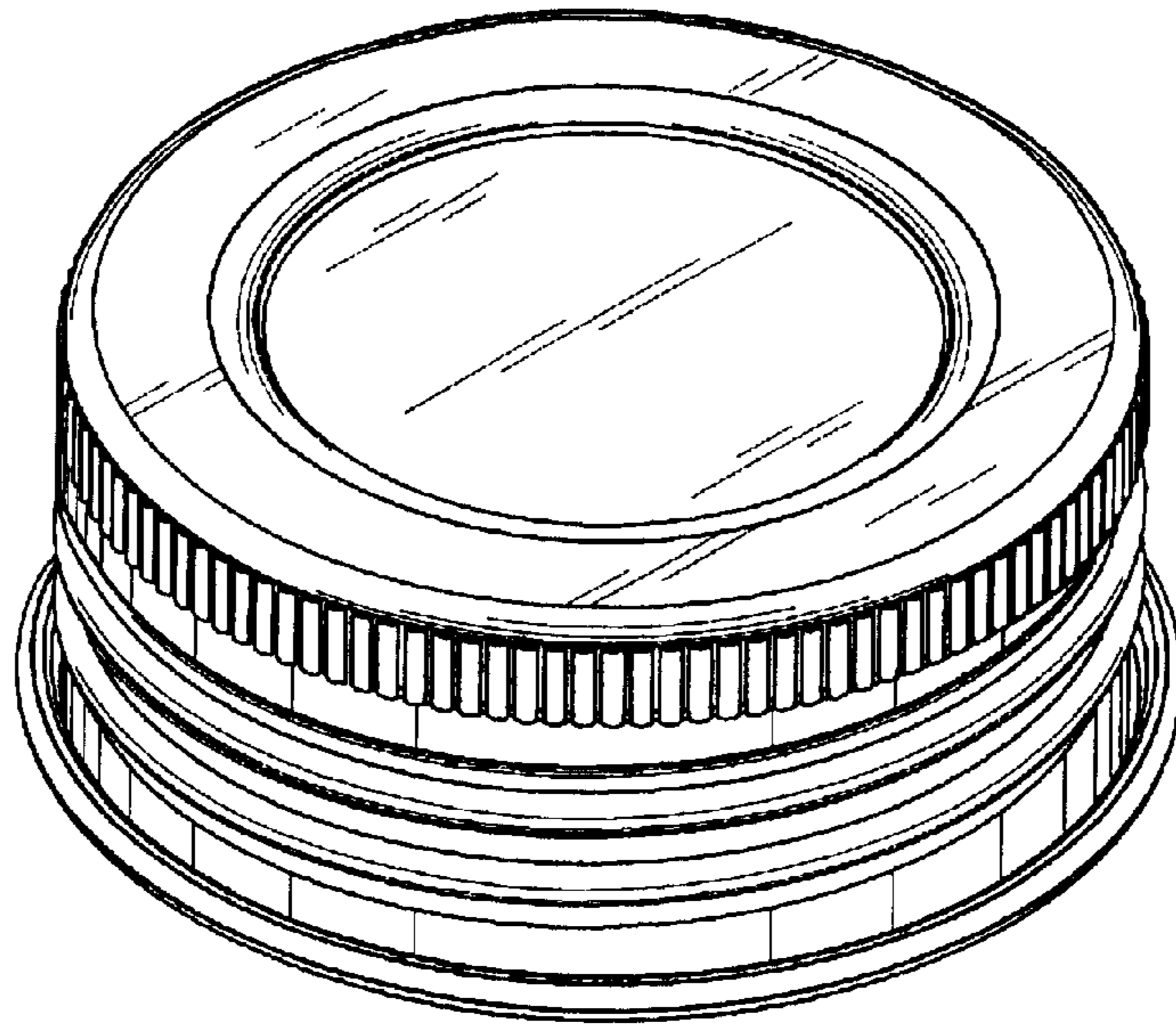
FIG. 2 is a bottom perspective view of the container cap of FIG. 1.

FIG. 3 is a top view of the container cap of FIG. 1.

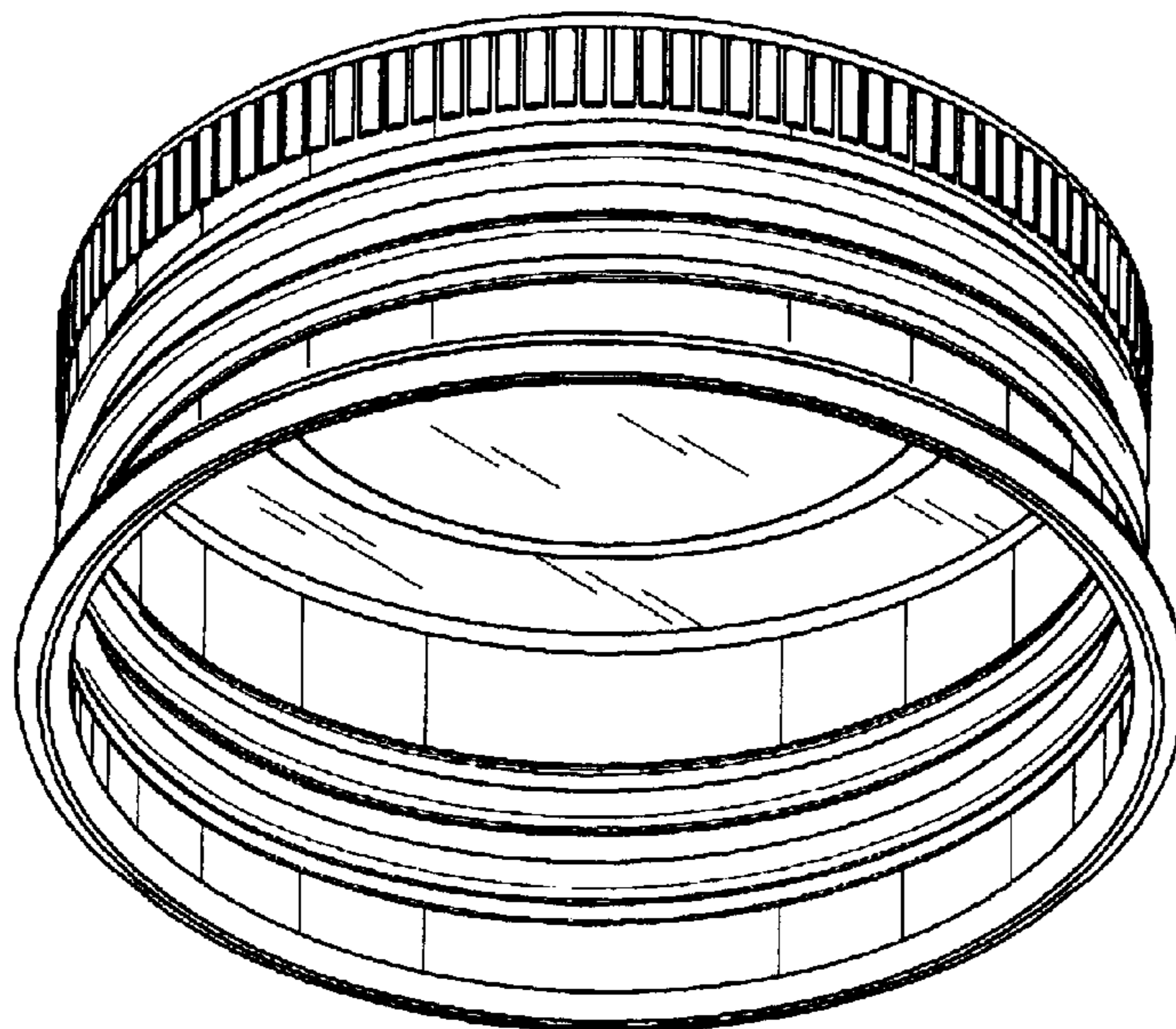
FIG. 4 is a bottom view of the container cap of FIG. 1; and, FIG. 5 is a side elevational view of the container cap of FIG. 1.

**1 Claim, 2 Drawing Sheets**

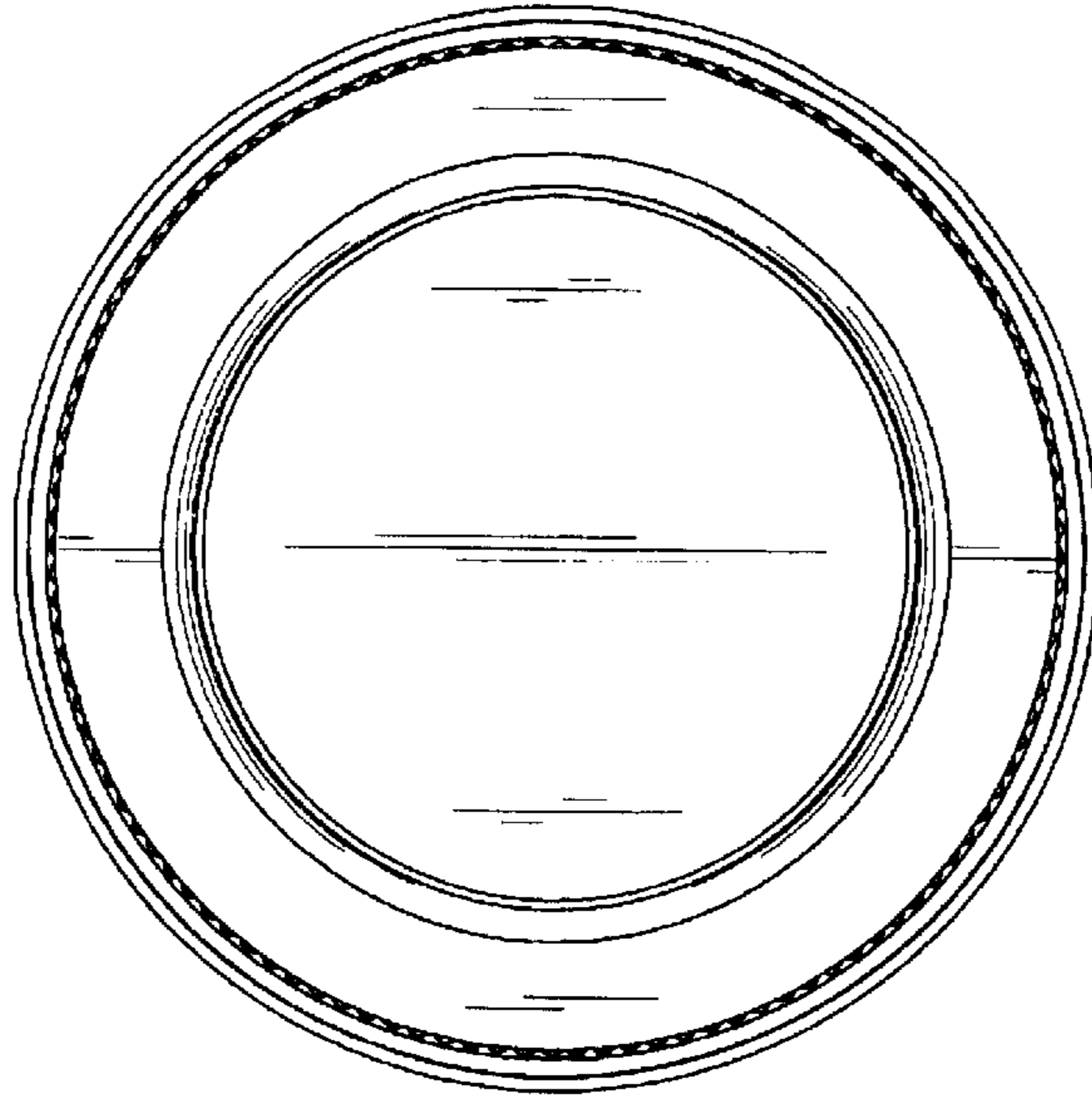




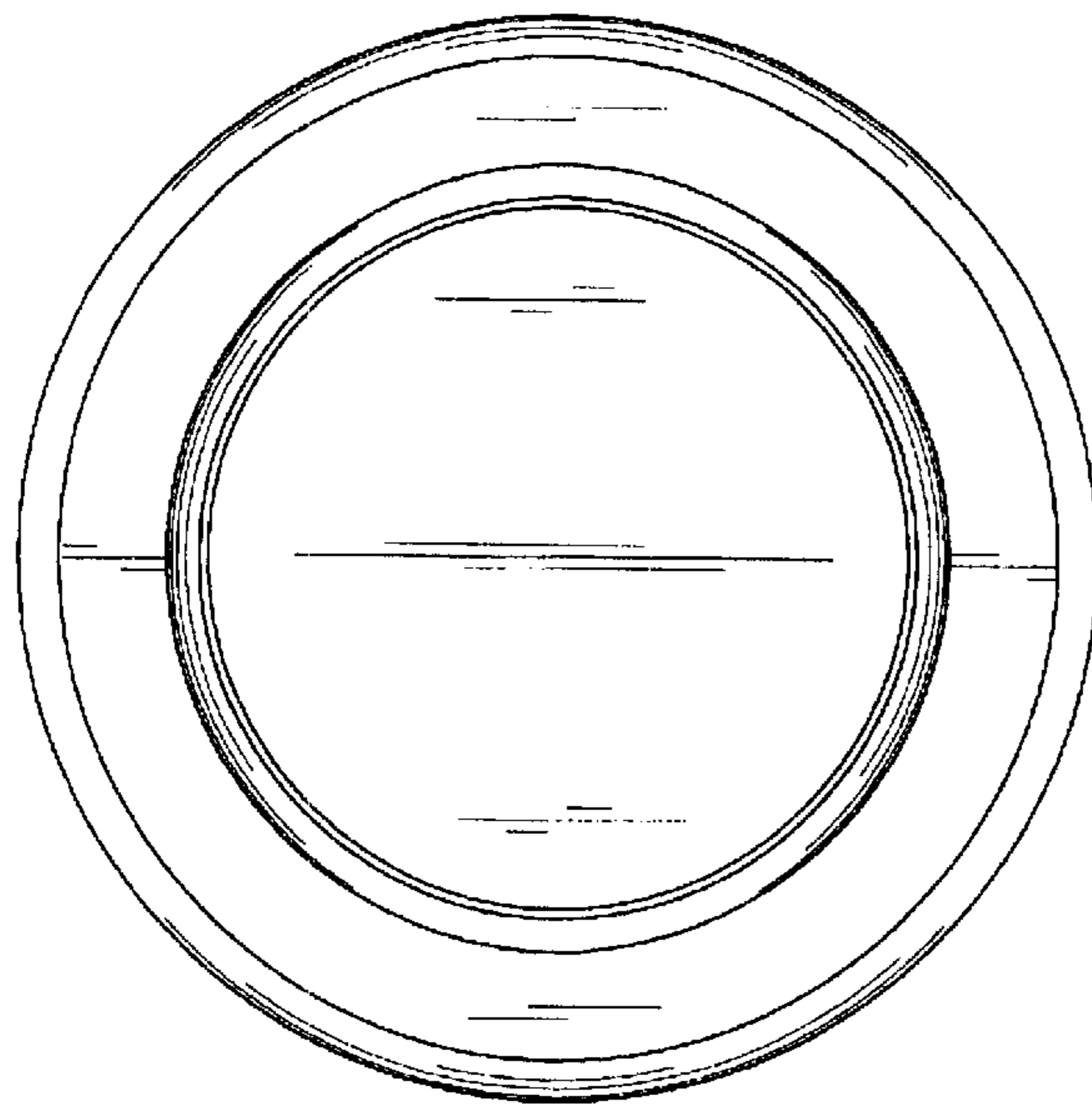
*FIG. 1*



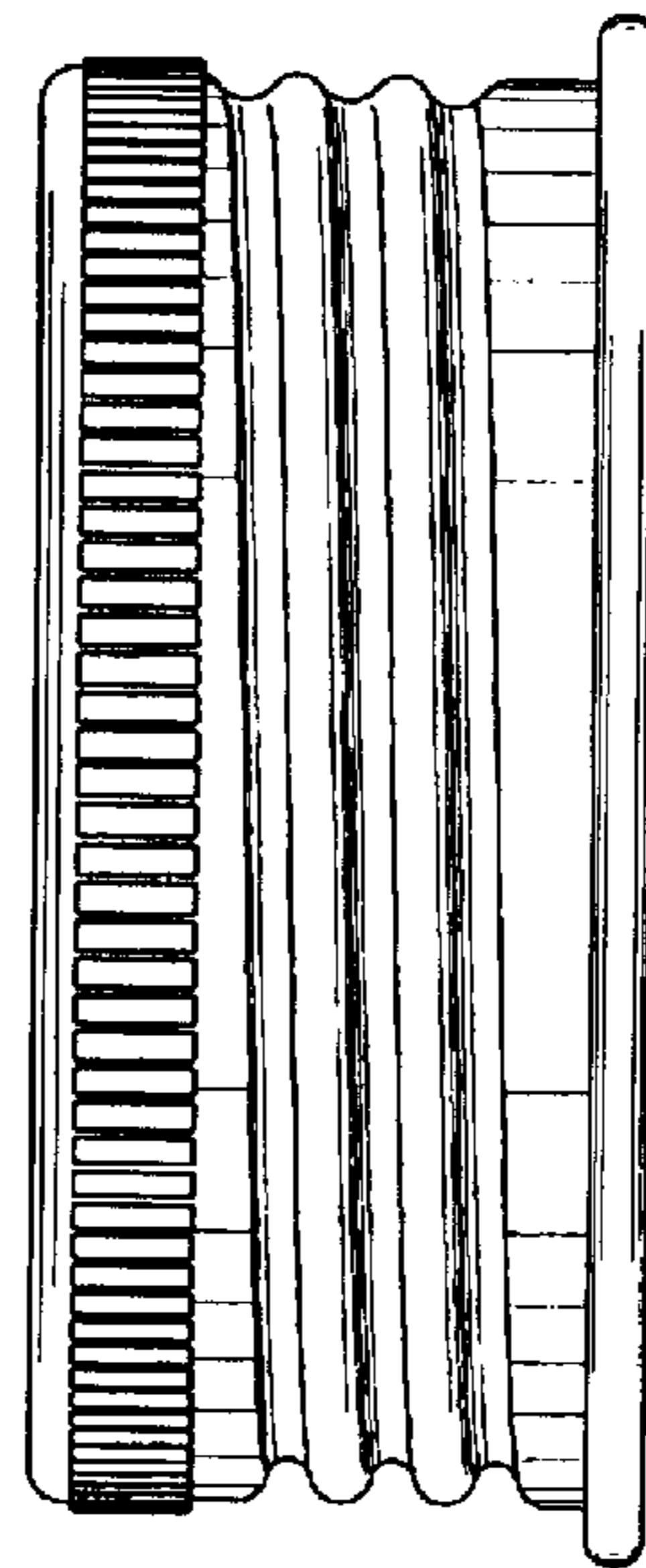
*FIG. 2*



*FIG. 3*



*FIG. 4*



*FIG. 5*