



US00D543103S

(12) **United States Design Patent** (10) **Patent No.:** **US D543,103 S**
Roche et al. (45) **Date of Patent:** **** May 22, 2007**

(54) **CONTACT LENS BLISTER PACKAGE**

(75) Inventors: **Eoin Roche**, Waterford (IE); **Neil Hirst**, Letchworth Garden (GB); **Tanja Langgner**, London (GB)

(73) Assignee: **Bausch & Lomb Incorporated**, Rochester, NY (US)

(**) Term: **14 Years**

(21) Appl. No.: **29/225,890**

(22) Filed: **Mar. 22, 2005**

(30) **Foreign Application Priority Data**

Sep. 23, 2004 (GB) 3018839

(51) **LOC (8) Cl.** **09-03**

(52) **U.S. Cl.** **D9/417**

(58) **Field of Classification Search** D9/341,
D9/414-433, 499, 744, 760, 901, 902; D3/210,
D3/219, 263, 264, 203.1-203.2, 207, 212,
D3/273, 294

See application file for complete search history.

(56) **References Cited**

U.S. PATENT DOCUMENTS

D239,413 S	*	3/1976	Hoogensteger et al.	D3/264
5,467,868 A	*	11/1995	Abrams et al.	206/5.1
D371,678 S	*	7/1996	Borghorst et al.	D3/264
5,609,246 A	*	3/1997	Borghorst et al.	206/5.1
5,722,536 A	*	3/1998	Pierce et al.	206/5.1
6,029,808 A	*	2/2000	Peck et al.	206/210
RE37,558 E	*	2/2002	Abrams et al.	206/5.1
D462,900 S	*	9/2002	Yamada et al.	D9/416
7,086,526 B2	*	8/2006	Newman	206/5.1

* cited by examiner

Primary Examiner—Stella Reid
Assistant Examiner—Thomas Johannes
(74) *Attorney, Agent, or Firm*—John E. Thomas

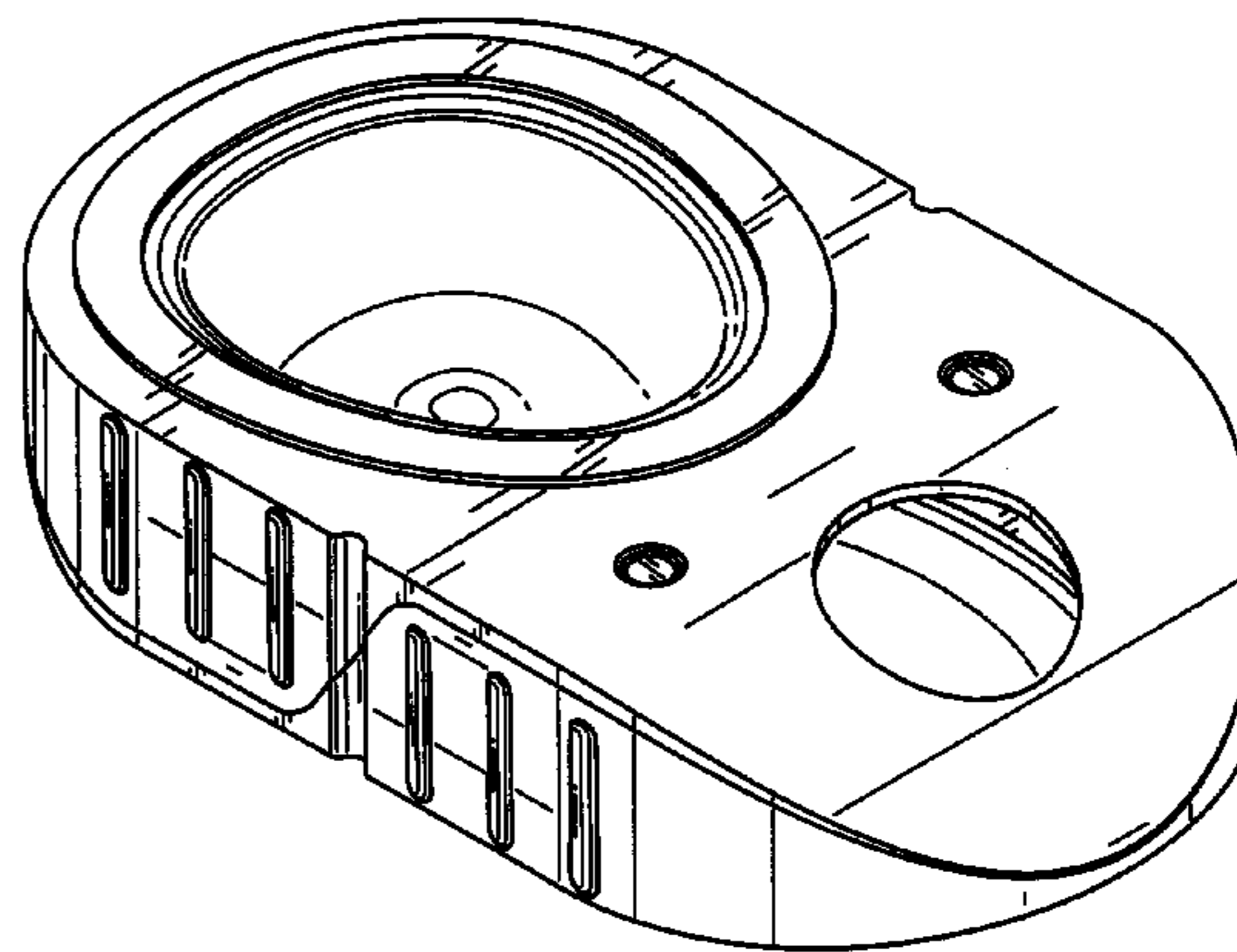
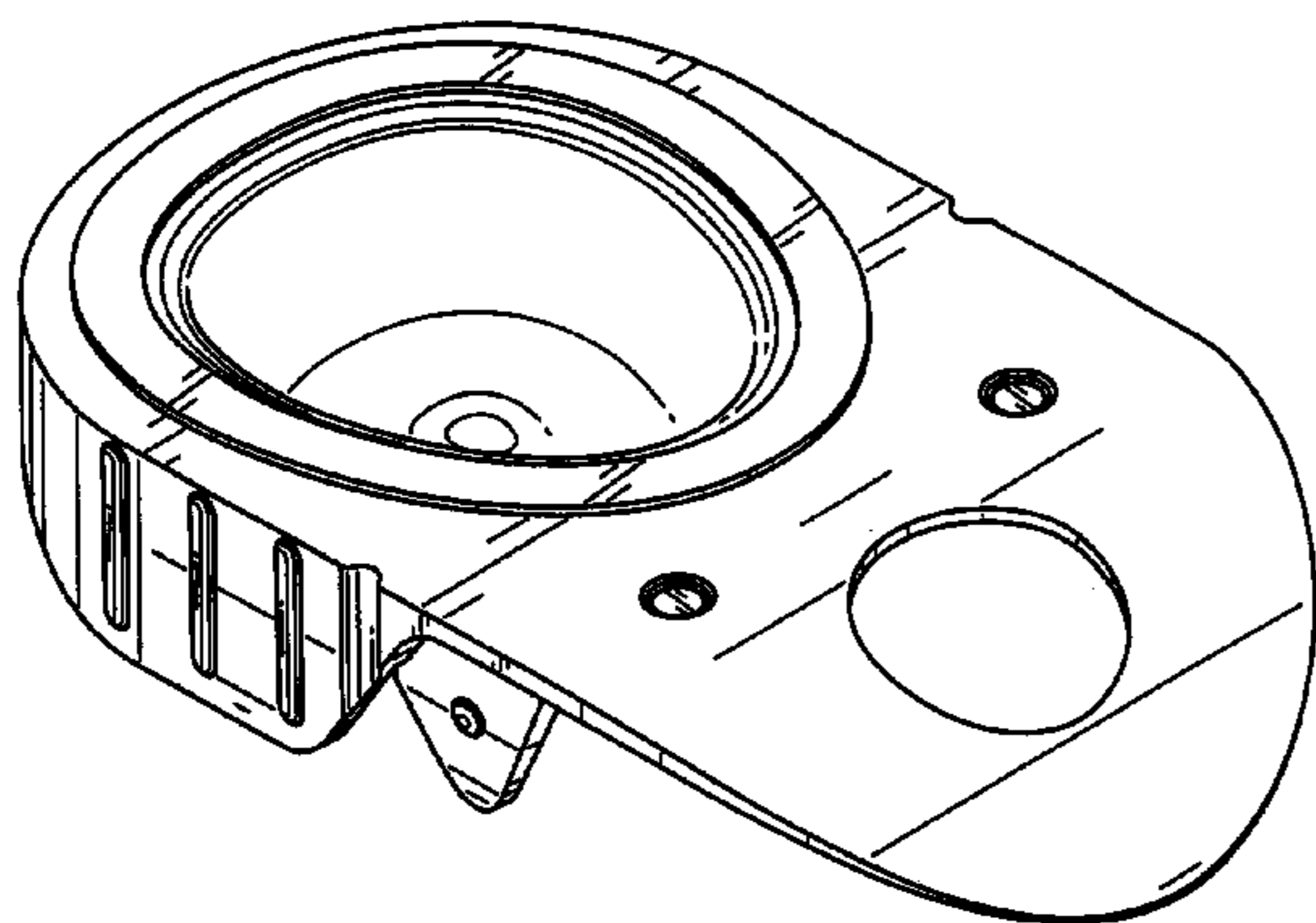
(57) **CLAIM**

The ornamental design for a contact lens blister package, as shown and described.

DESCRIPTION

FIG. 1 is a top perspective view of a contact lens blister package showing our new design; FIG. 2 is a front view thereof; FIG. 3 is a back view thereof; FIG. 4 is a left side view thereof; FIG. 5 is a right side view thereof; FIG. 6 is a top plan view thereof; FIG. 7 is a bottom plan view thereof; FIG. 8 is a top perspective view of a second embodiment of the contact lens blister package showing two contact lens blister packages nested together; FIG. 9 is a front view thereof; FIG. 10 is a back view thereof; FIG. 11 is a left side view thereof; FIG. 12 is a right side view thereof; FIG. 13 is a top plan view thereof; FIG. 14 is a bottom plan view thereof; FIG. 15 is a top perspective view of the contact lens blister package with a cover sheet attached to its top; and, FIG. 16 is a perspective view of the contact lens blister package with a cover sheet shown in relation to other blister packages in a carton. The broken line showing of FIGS. 15 and 16 is included for the purpose of illustrating environment and forms no part of the claimed design.

1 Claim, 16 Drawing Sheets



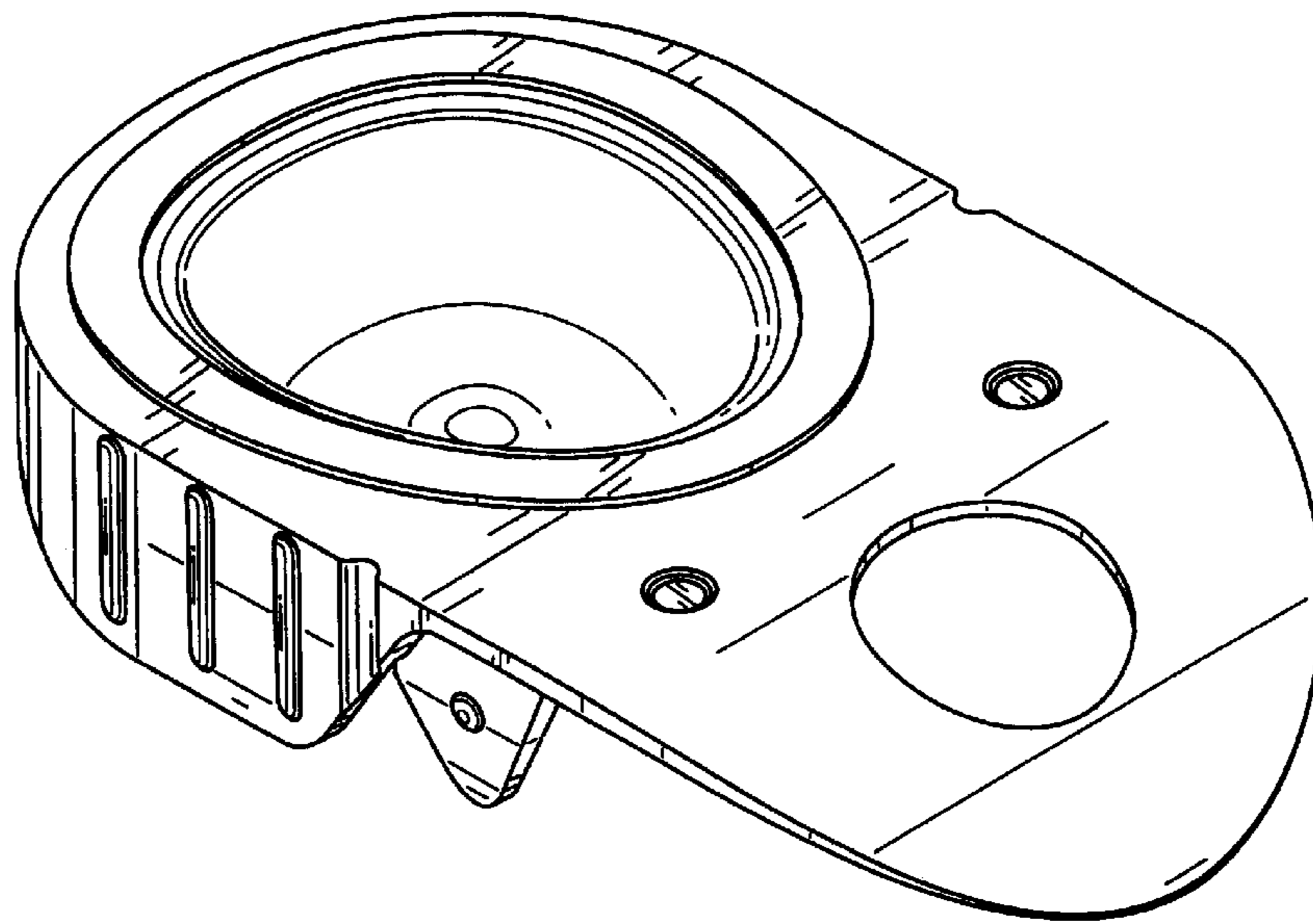


FIG. 1

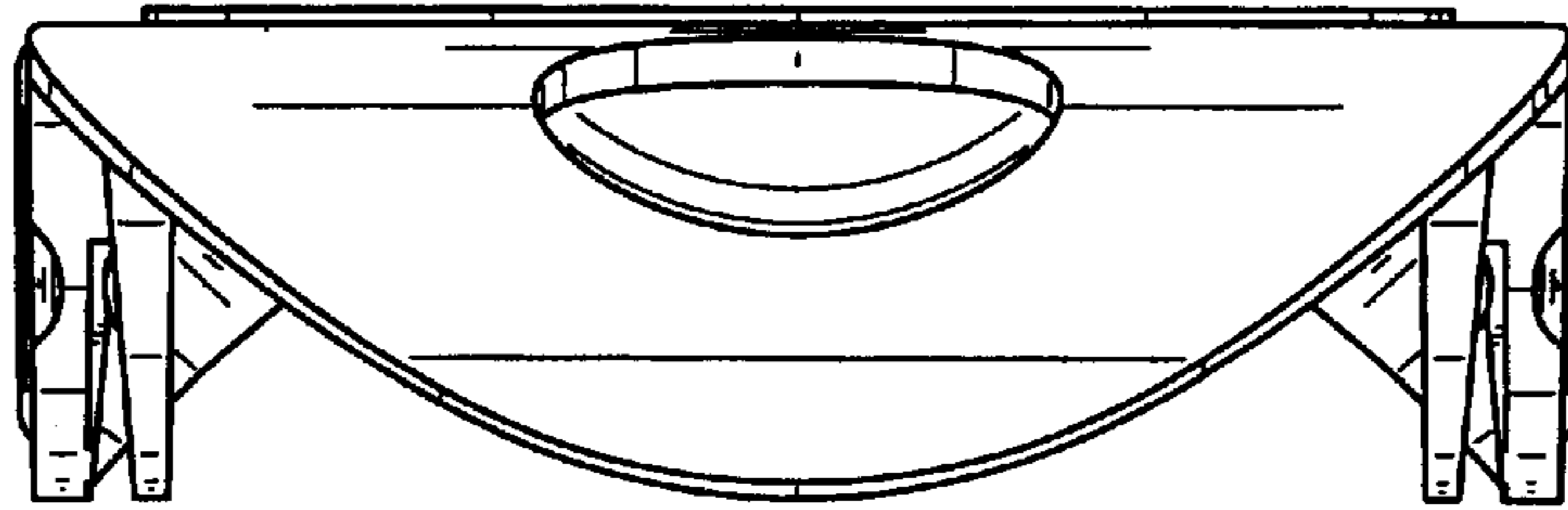


FIG. 2

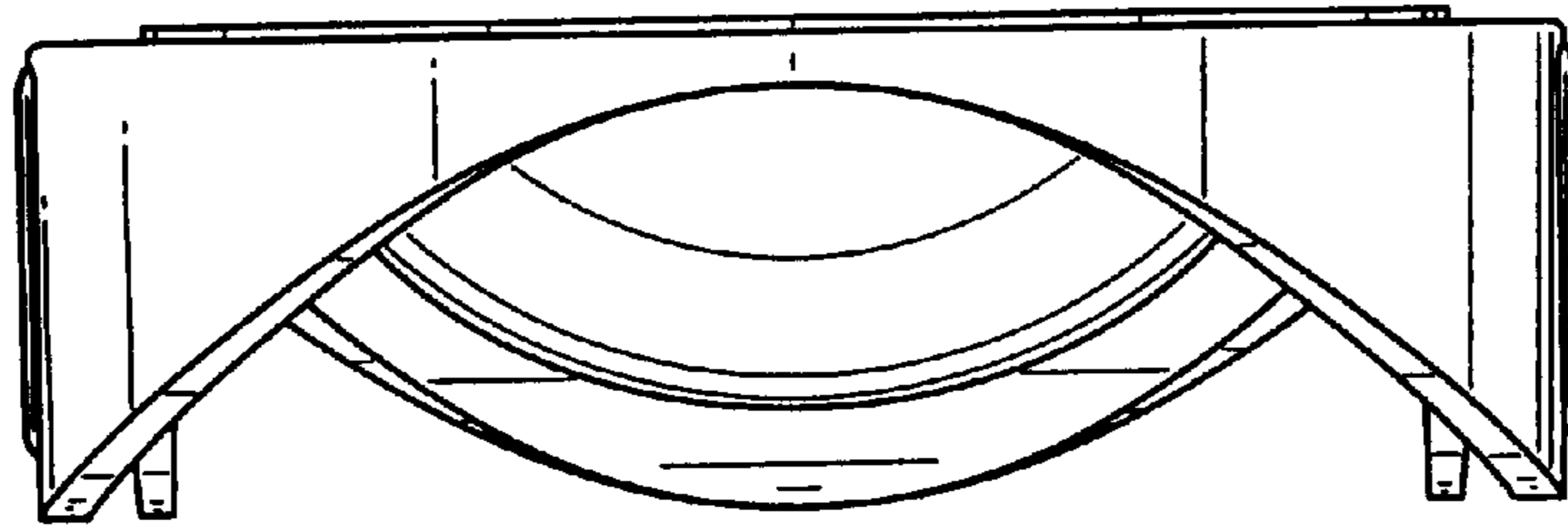


FIG. 3

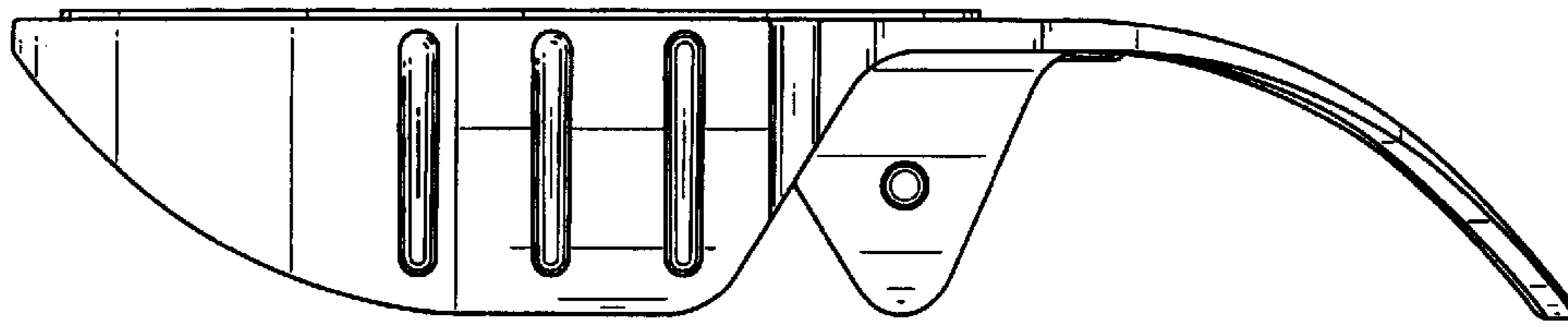


FIG. 4

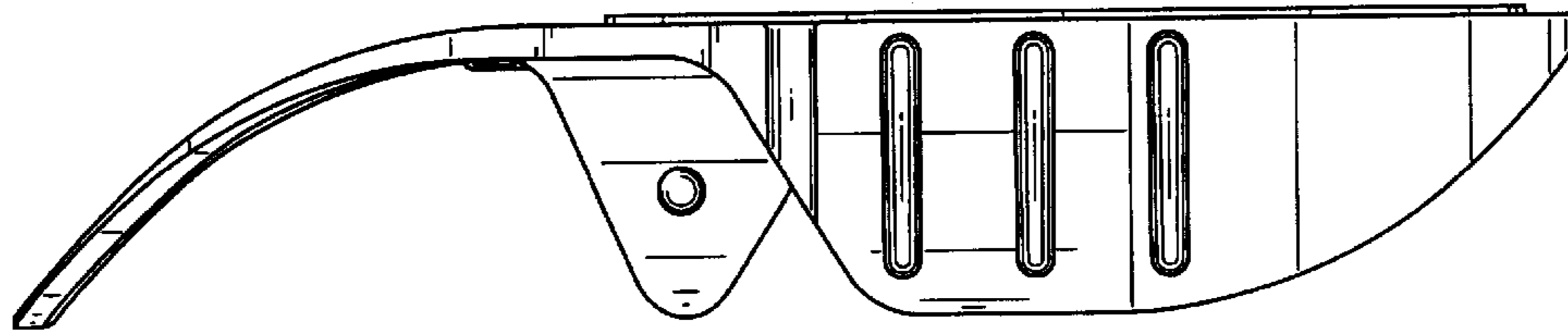


FIG. 5

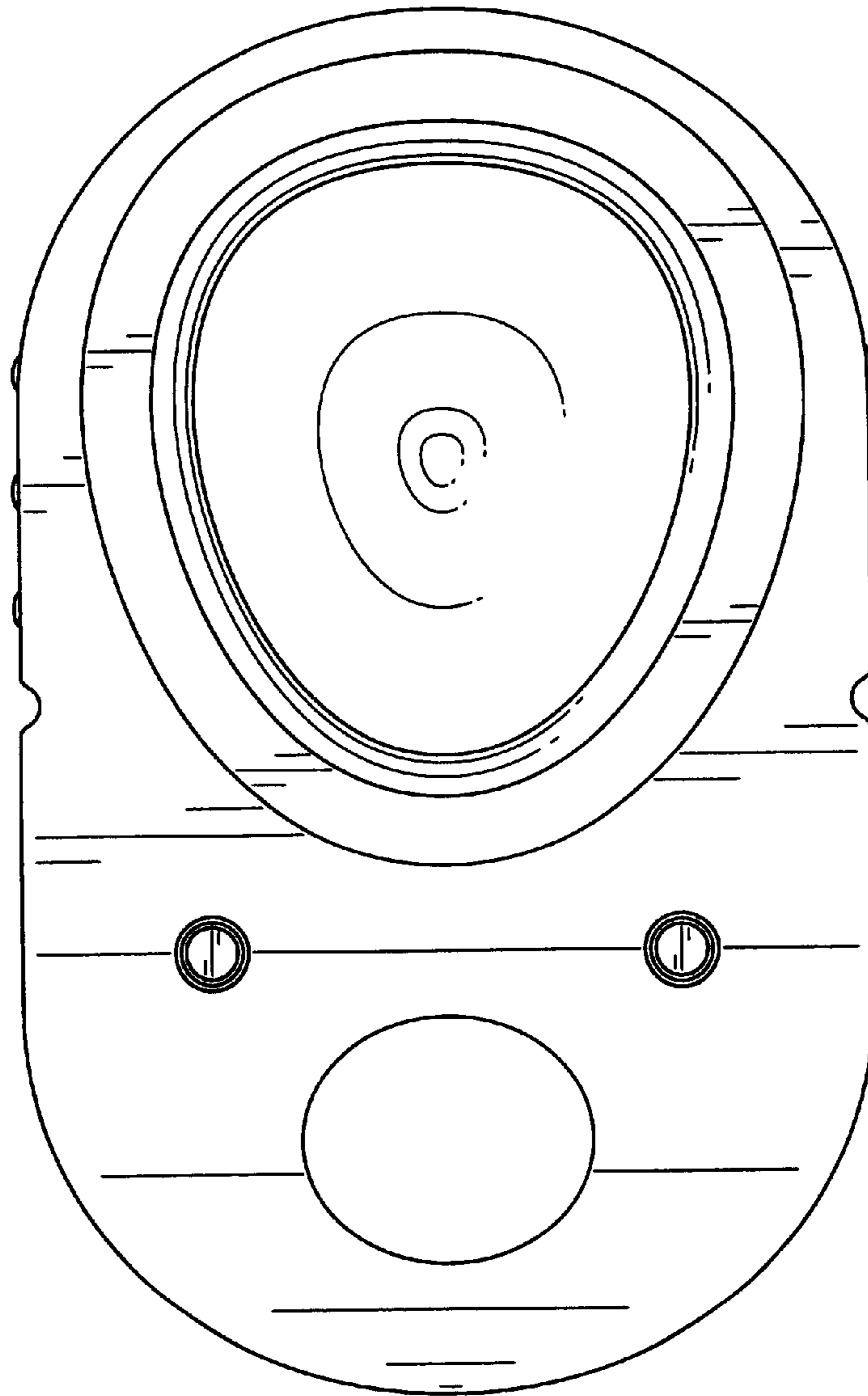


FIG. 6

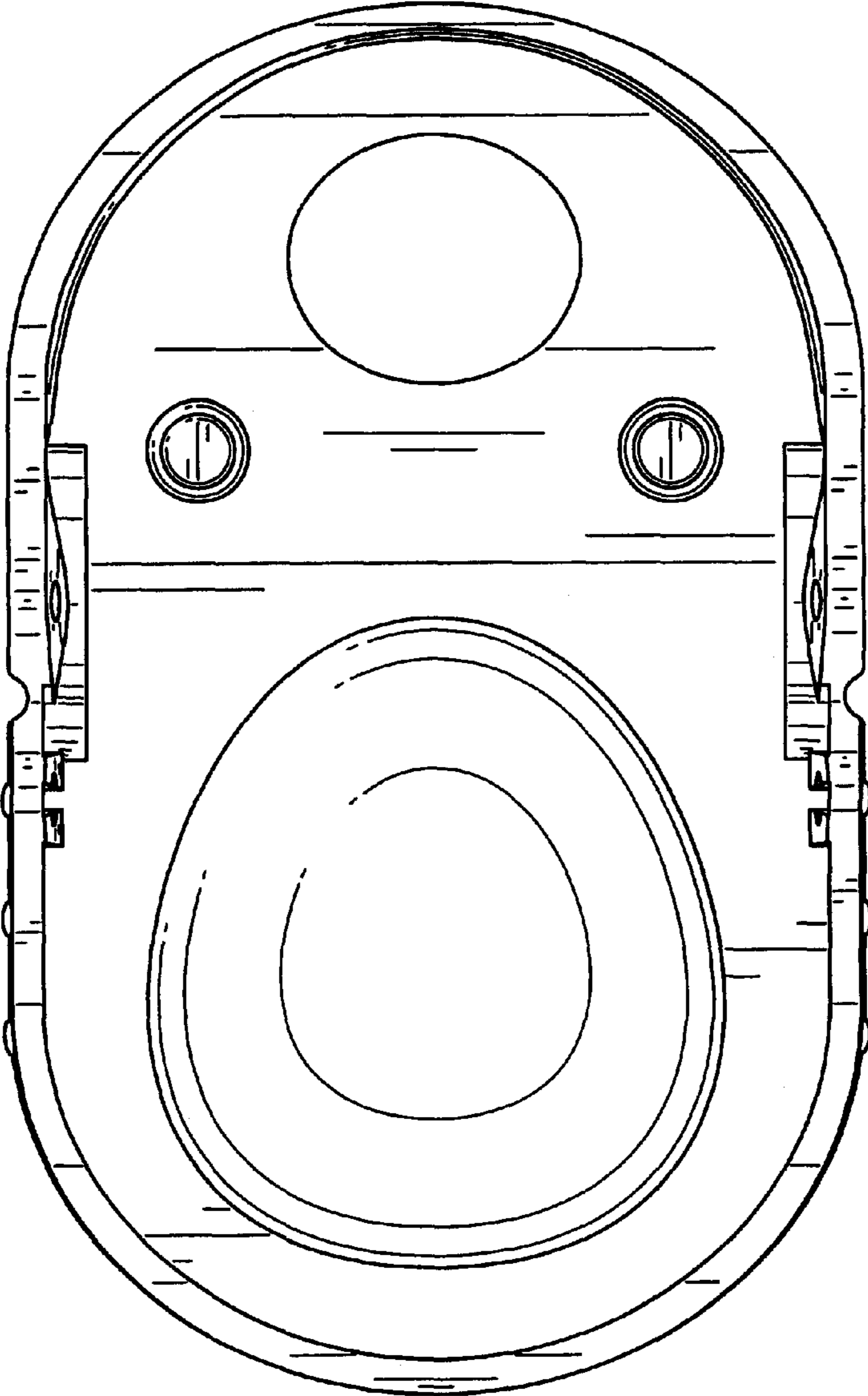


FIG. 7

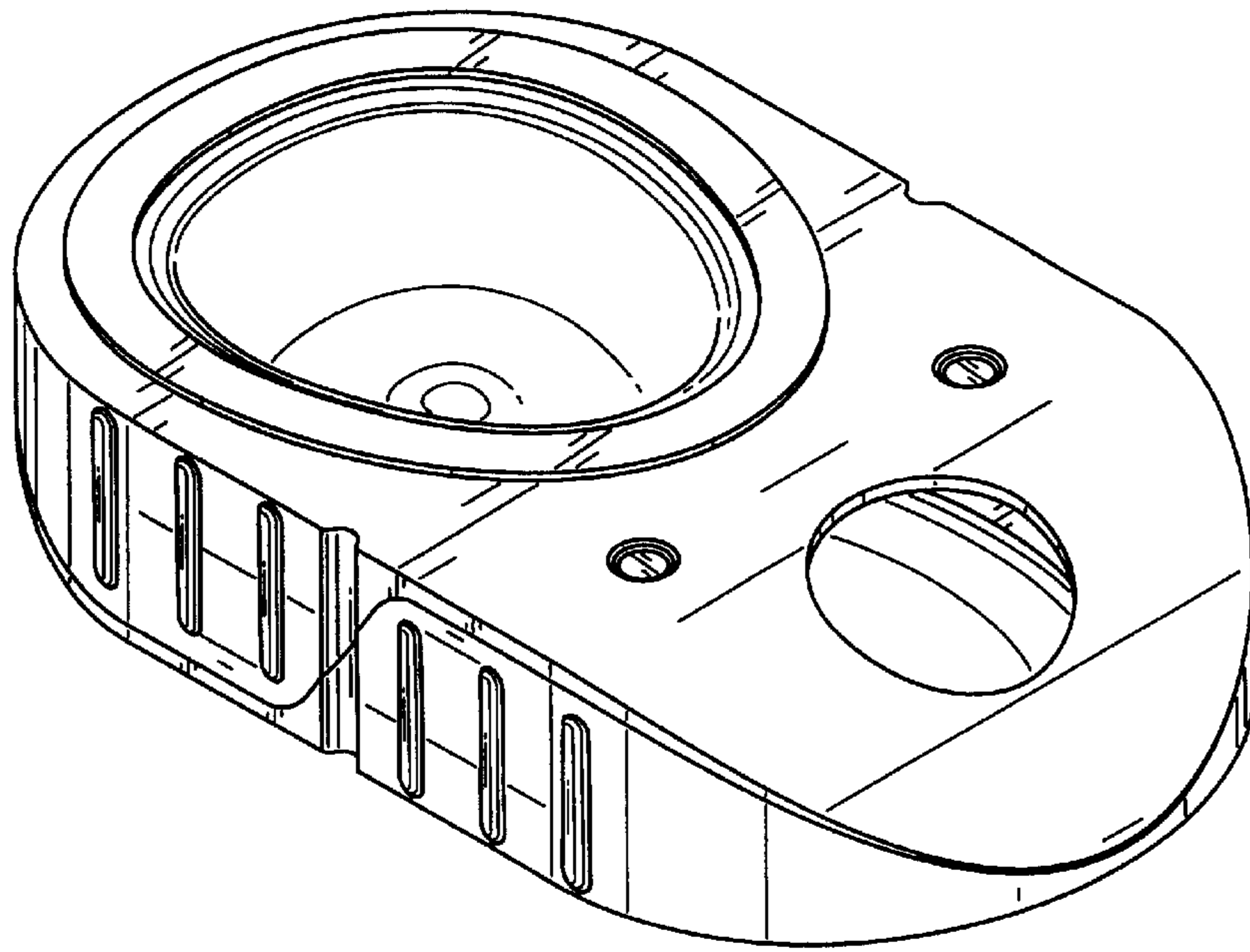


FIG. 8

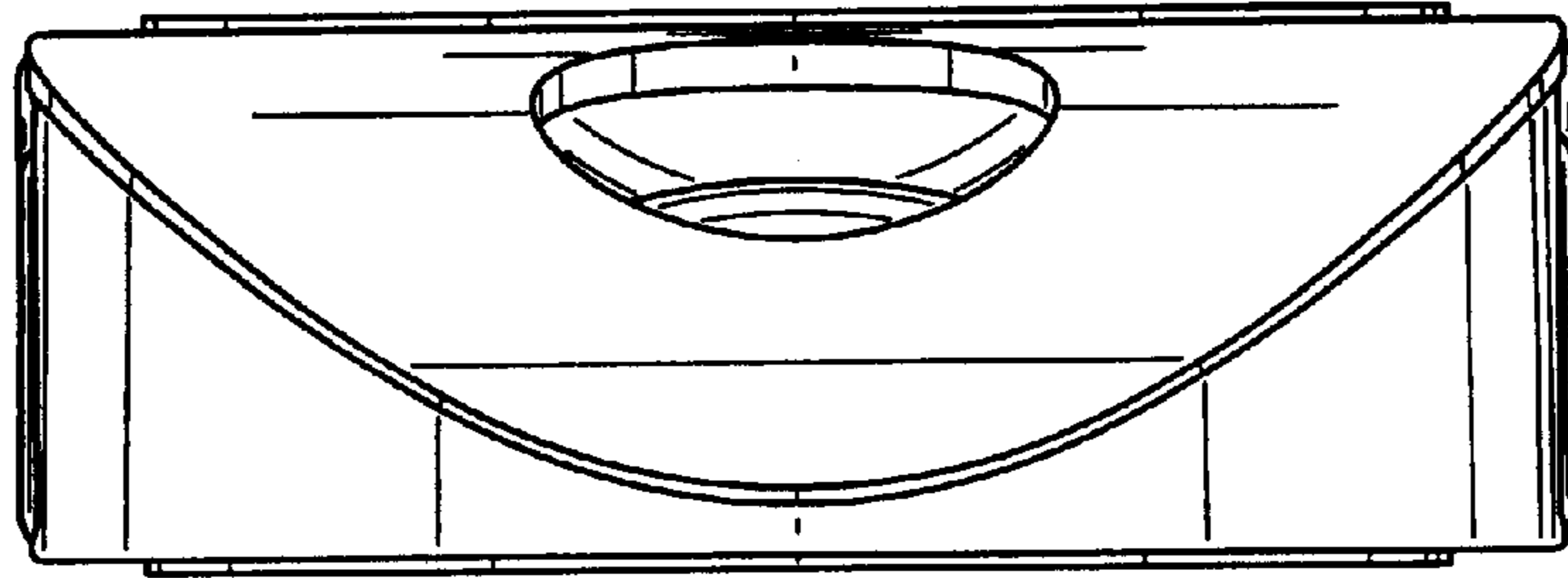


FIG. 9

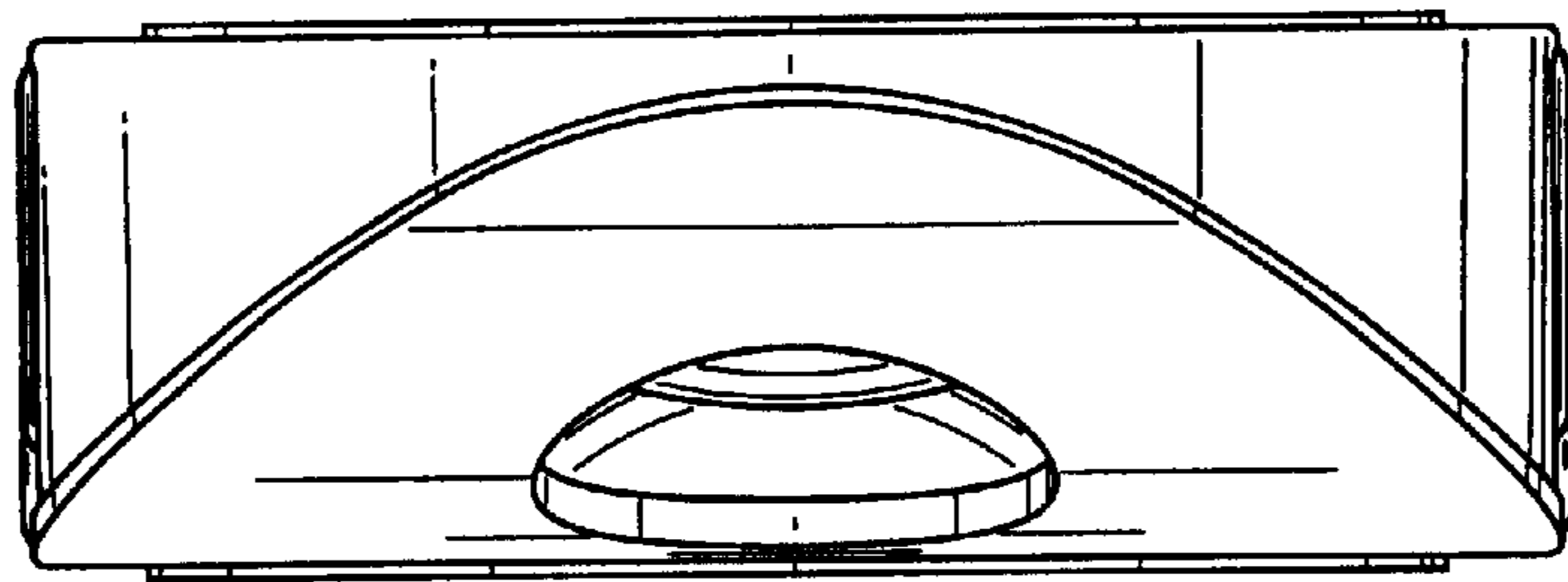


FIG. 10

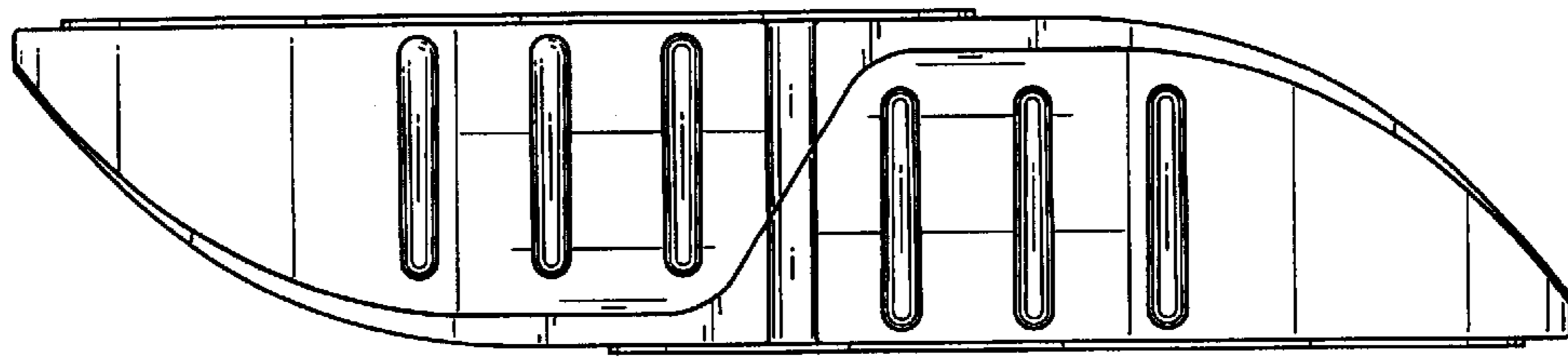


FIG. 11

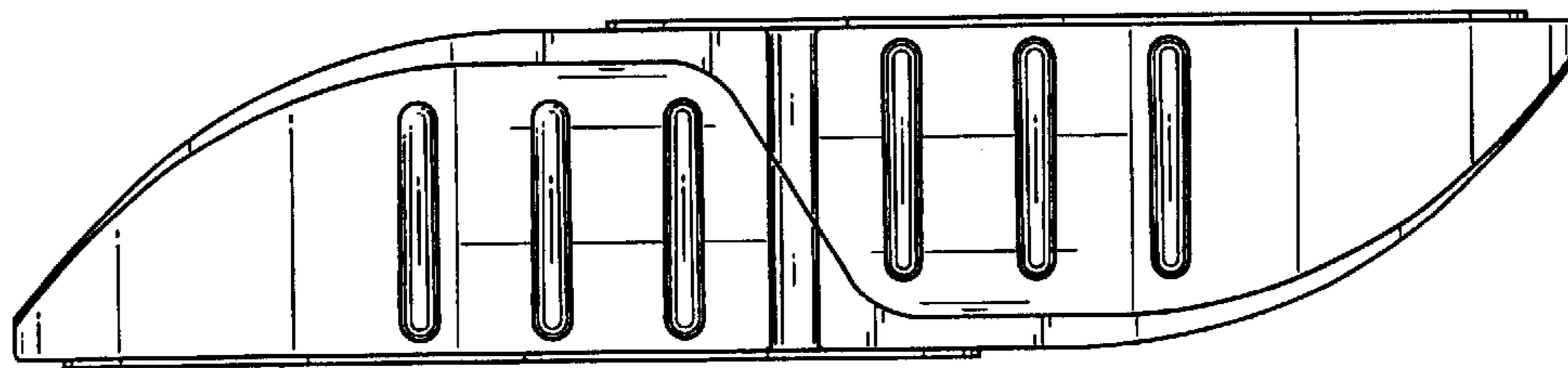


FIG. 12

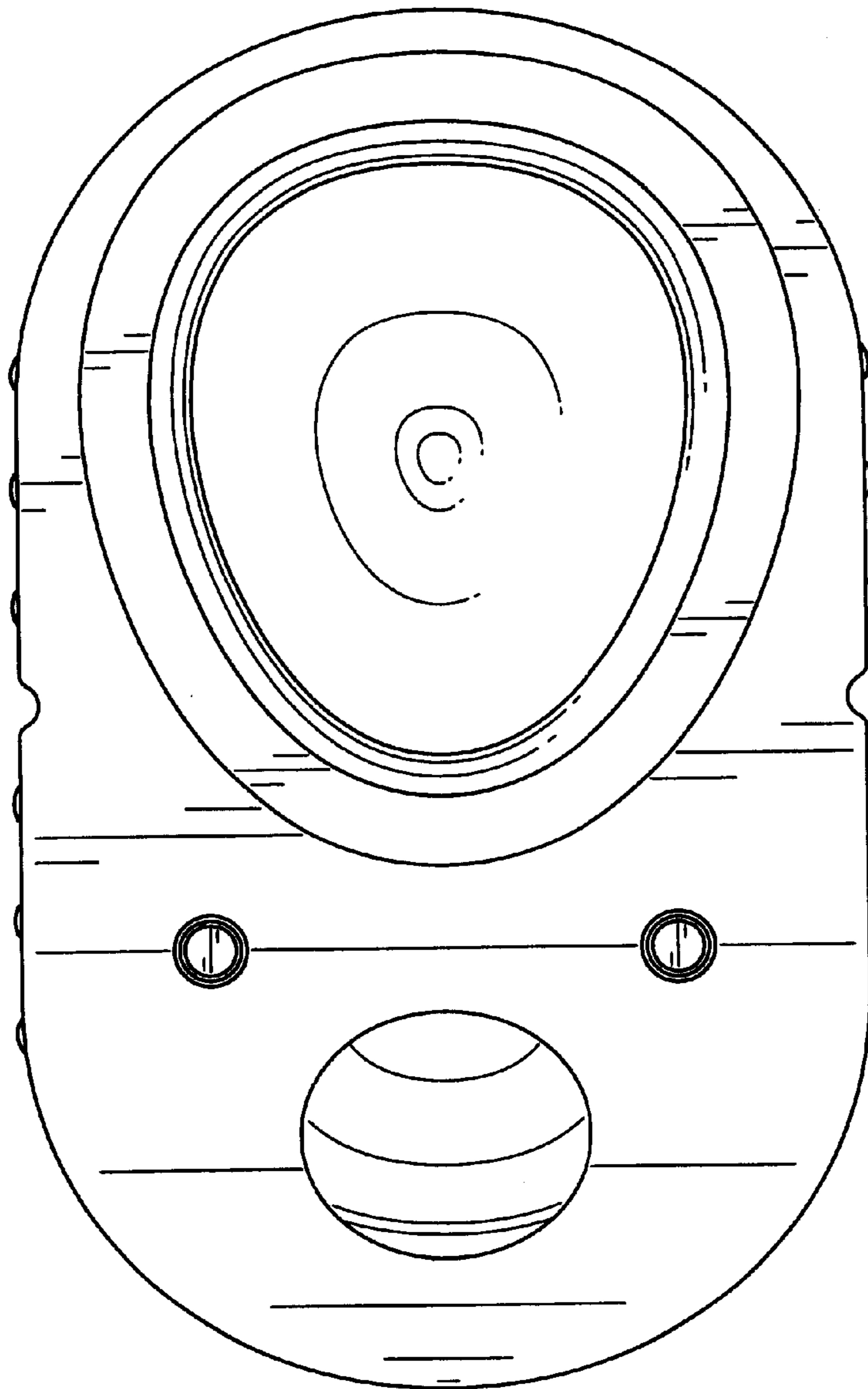


FIG. 13

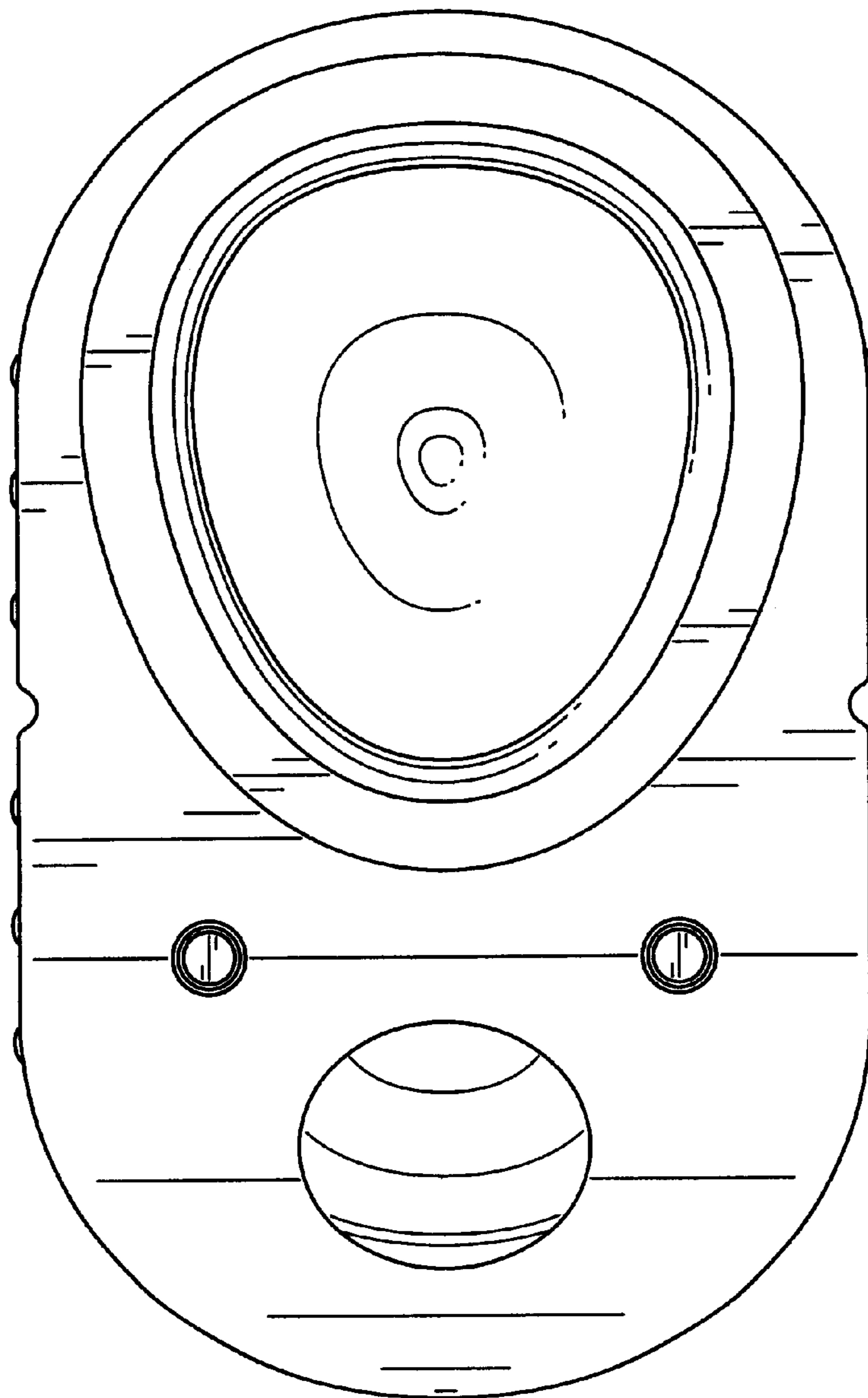


FIG. 14

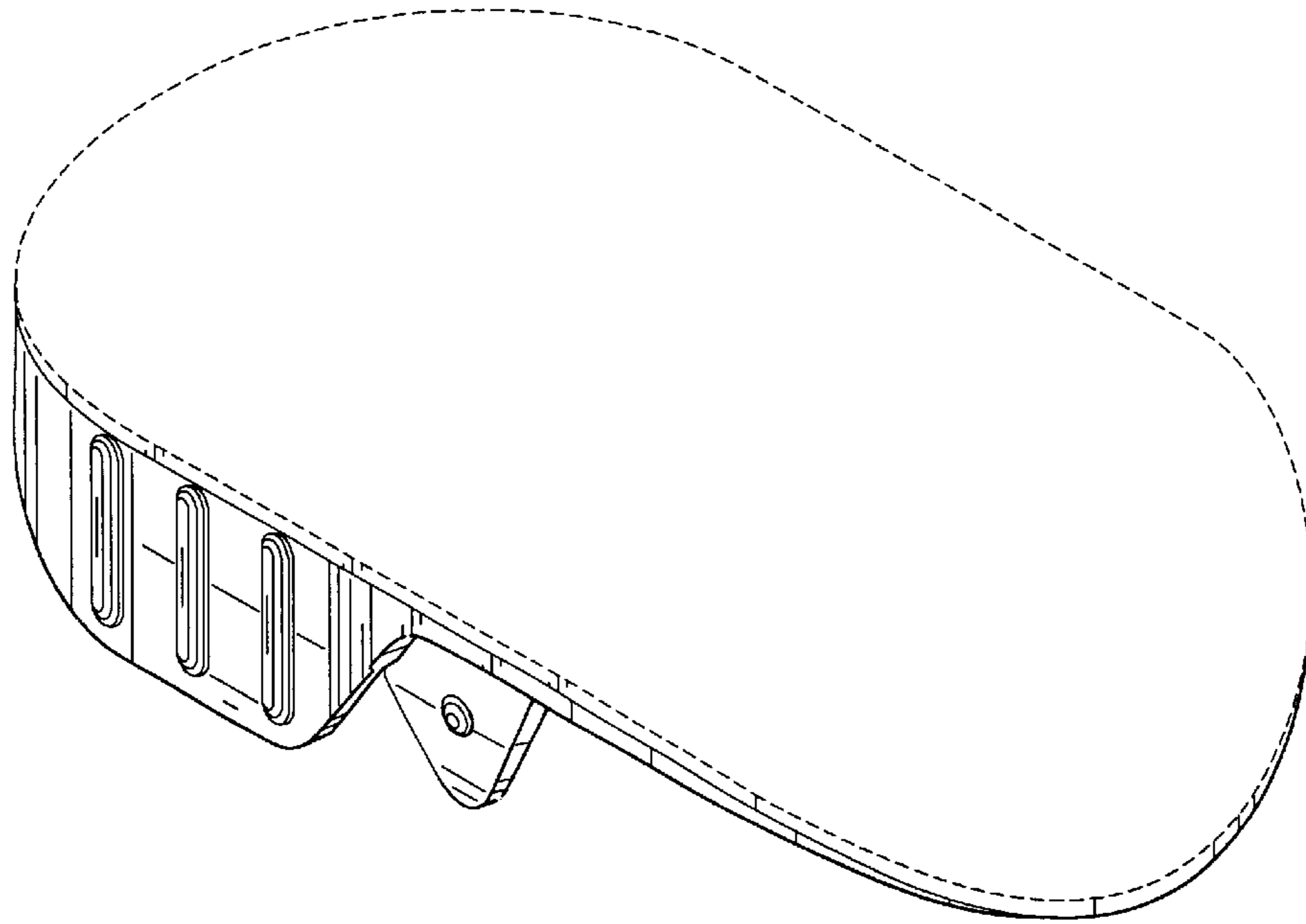


FIG. 15

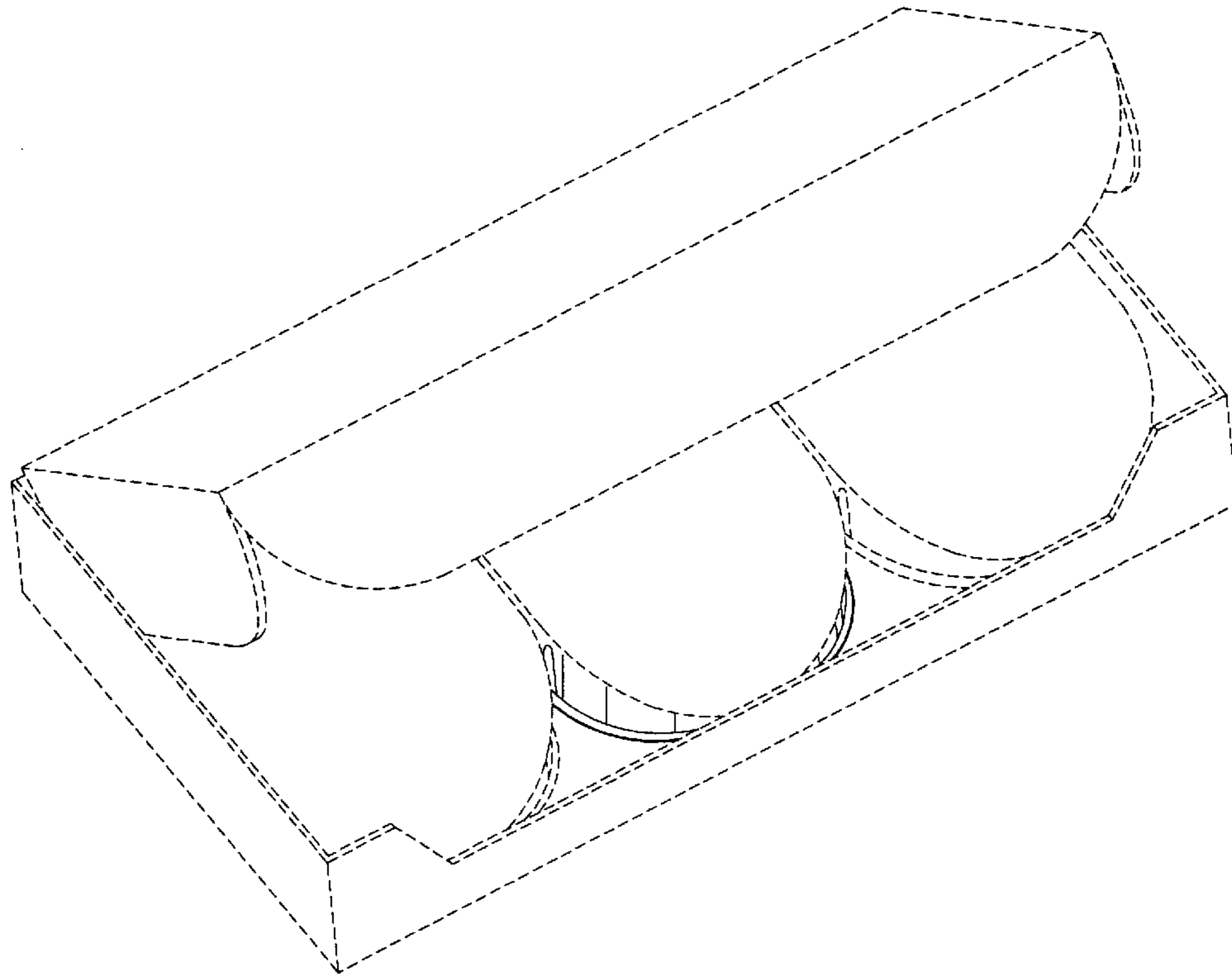


FIG. 16