

US00D543095S

(12) **United States Design Patent**
Eriksson

(10) **Patent No.:** **US D543,095 S**

(45) **Date of Patent:** **** May 22, 2007**

(54) **OVER CENTER FASTENER**

(76) Inventor: **Lars Eriksson**, Hättinge 3445, S-635
05 Eskilstuna (SE)

(**) Term: **14 Years**

(21) Appl. No.: **29/205,619**

(22) Filed: **May 19, 2004**

(30) **Foreign Application Priority Data**

Nov. 19, 2003 (EM) 106851

(51) **LOC (8) Cl.** **08-08**

(52) **U.S. Cl.** **D8/382**

(58) **Field of Classification Search** D8/382,
D8/394, 395; 24/599.9, 599.8, 600.1, 16 PB;
292/247

See application file for complete search history.

(56) **References Cited**

U.S. PATENT DOCUMENTS

1,492,860 A * 5/1924 Skaff 24/599.5

D212,715 S * 11/1968 Fox D8/394

4,428,608 A * 1/1984 Cooke et al. 292/247

D365,512 S * 12/1995 Mason D8/394

5,694,668 A * 12/1997 Rohlf 24/599.5

FOREIGN PATENT DOCUMENTS

EP 1179393 A1 * 2/2002

* cited by examiner

Primary Examiner—Holly H. Baynham

(74) *Attorney, Agent, or Firm*—Birch, Stewart, Kolasch &
Birch, LLP

(57) **CLAIM**

The ornamental design for an over center fastener, as shown
and described.

DESCRIPTION

FIG. 1 is a bottom plan view of an over center fastener,
showing my new design;

FIG. 2 is a left side view thereof, showing the over center
fastener in an extended position;

FIG. 3 is a left side view thereof;

FIG. 4 is a front elevational view thereof;

FIG. 5 is right side view thereof;

FIG. 6 is a rear elevational view thereof; and

FIG. 7 is a top plan view thereof;

FIG. 8 is a bottom plan view of a second embodiment of an
over center fastener with a safety catch, showing my new
design;

FIG. 9 is a left side view of the second embodiment,
showing the over center fastener in an extended position;

FIG. 10 is a left side view of the second embodiment;

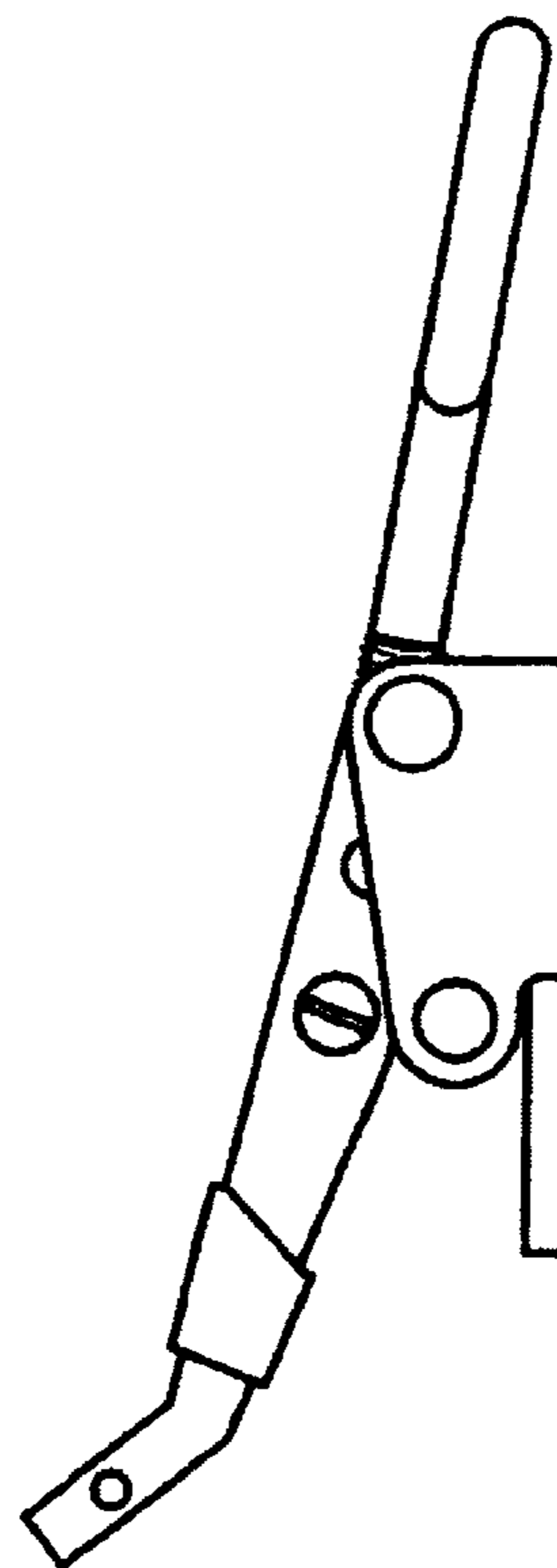
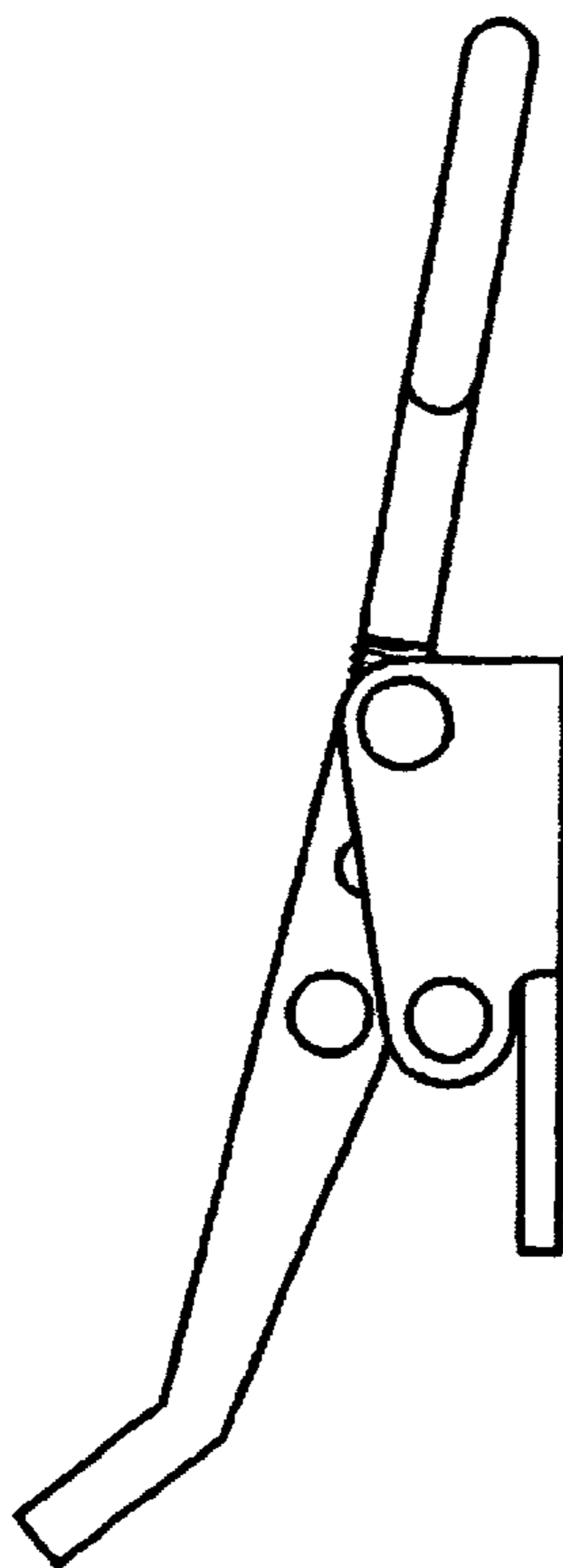
FIG. 11 is a front elevational view of the second embodi-
ment;

FIG. 12 is a right side view of the second embodiment;

FIG. 13 is a rear elevational view of the second embodiment;
and,

FIG. 14 is a top plan view of the second embodiment.

1 Claim, 4 Drawing Sheets



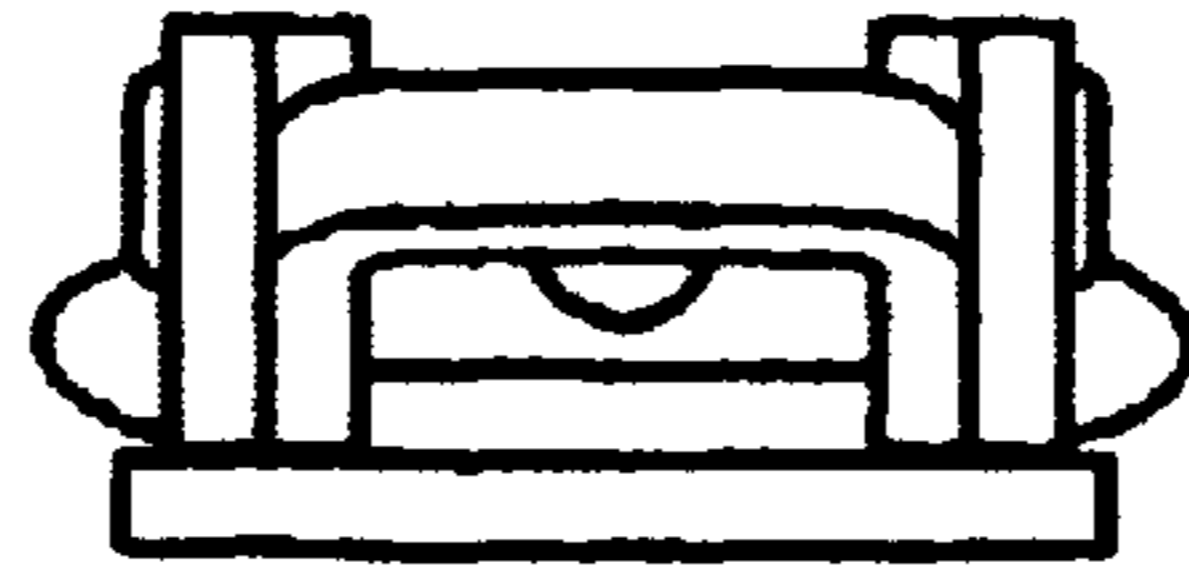


Fig. 1

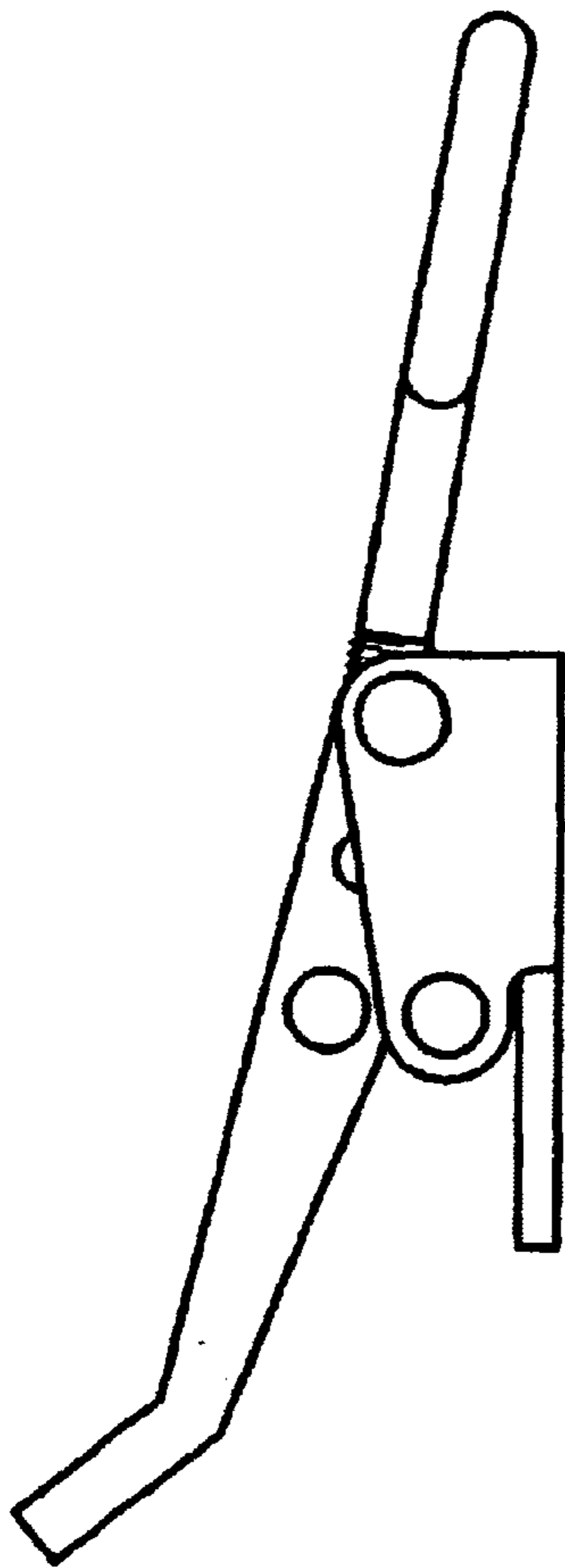


Fig. 2



Fig. 3

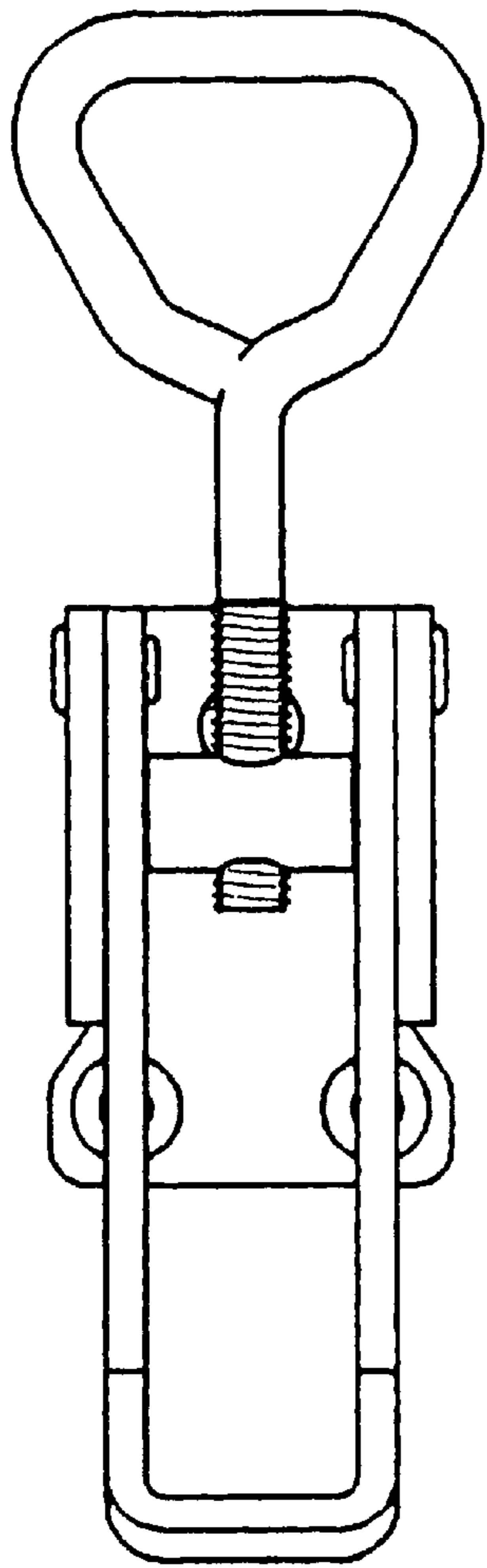


Fig. 4

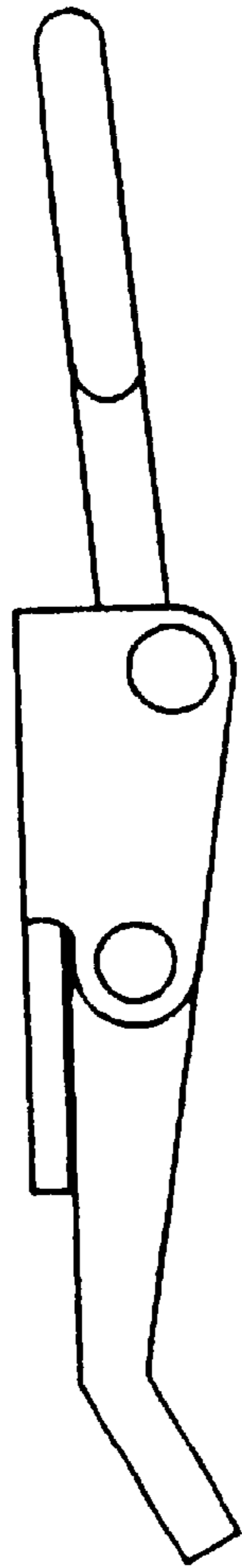


Fig. 5

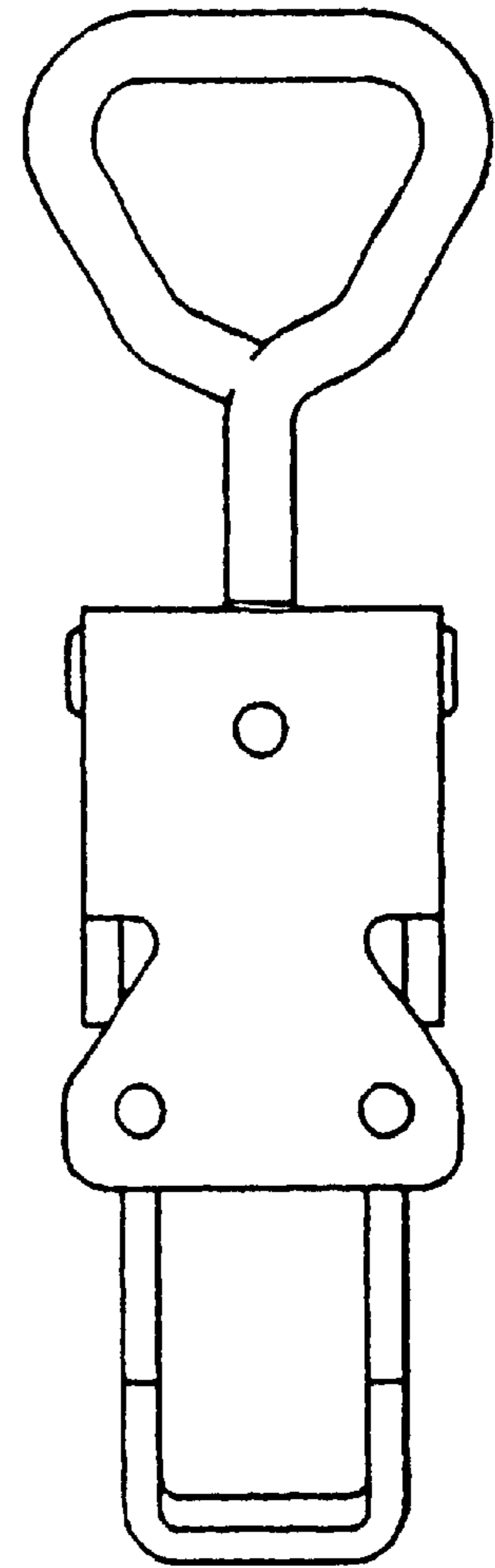


Fig. 6

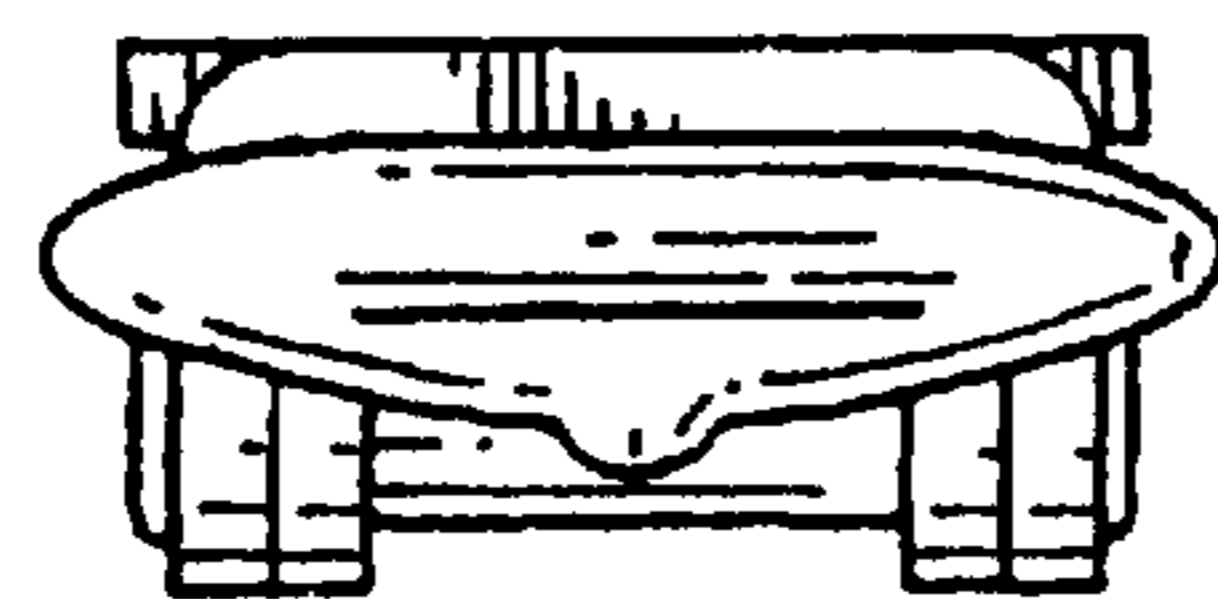


Fig. 7

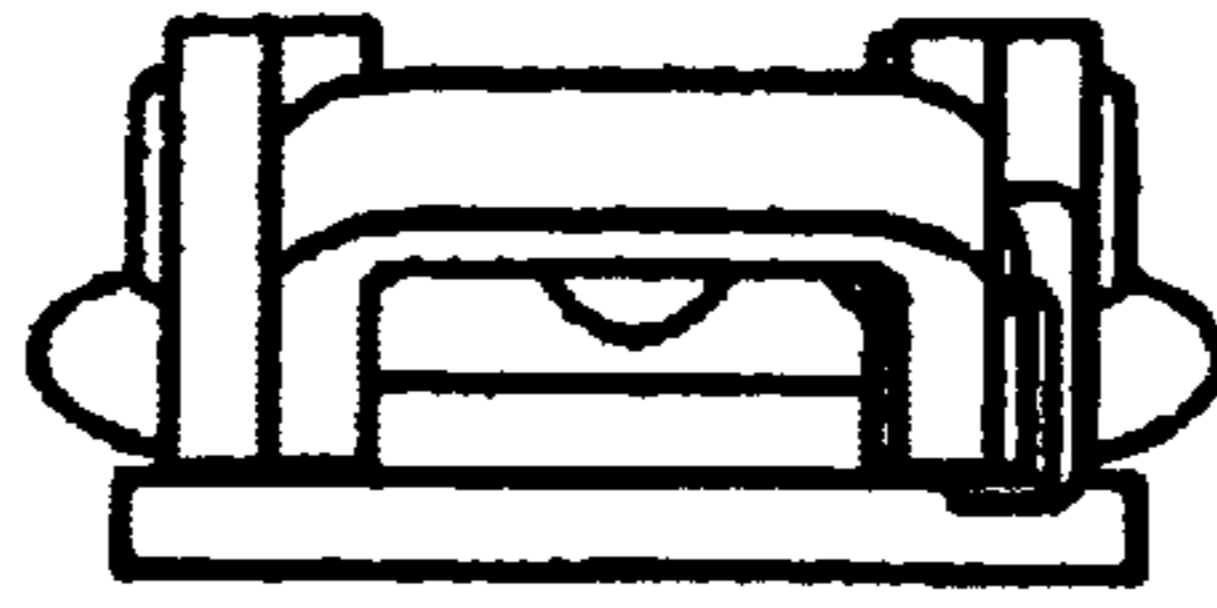


Fig. 8

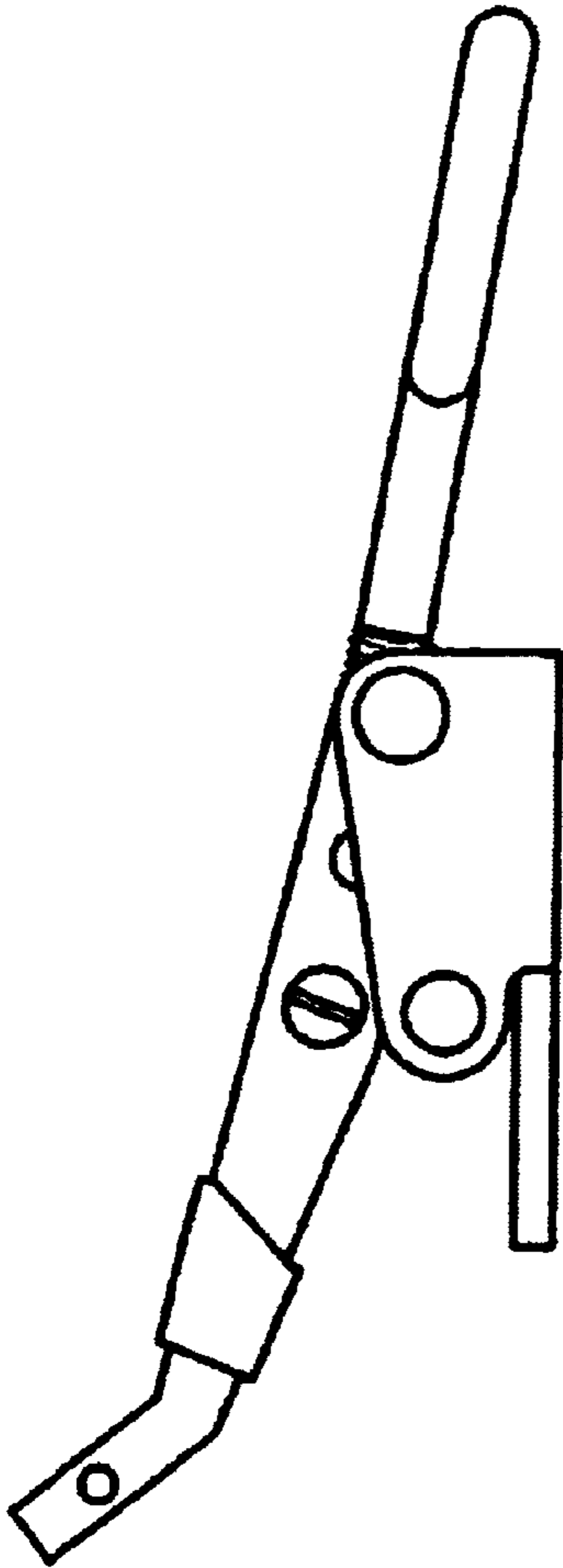


Fig. 9



Fig. 10

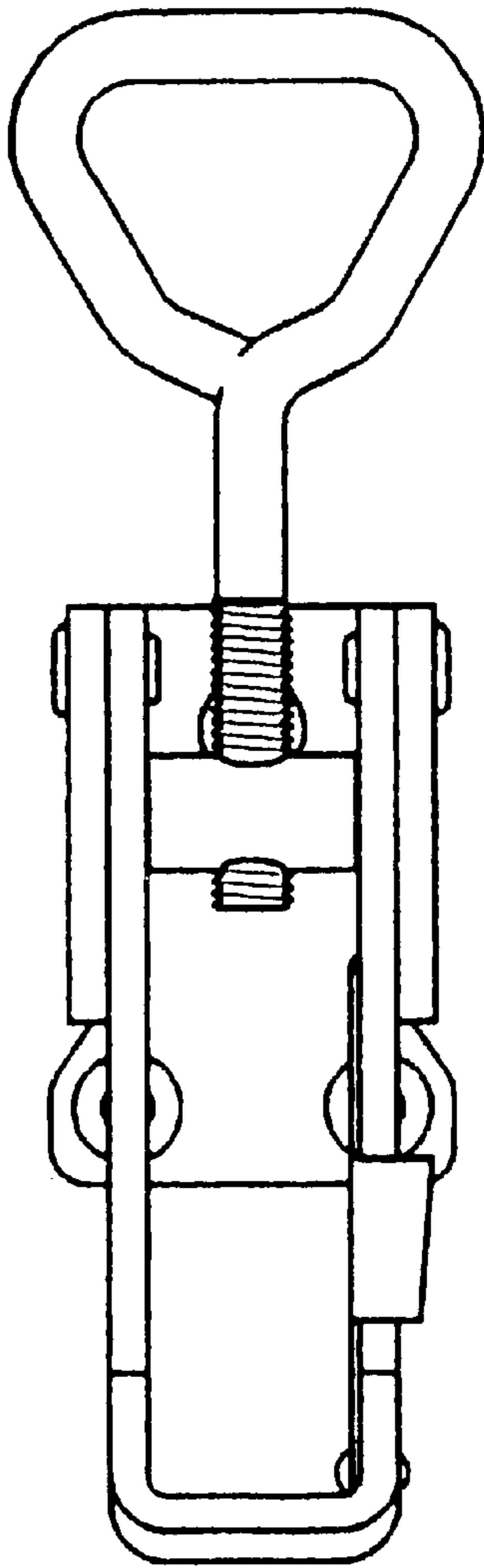


Fig. 11

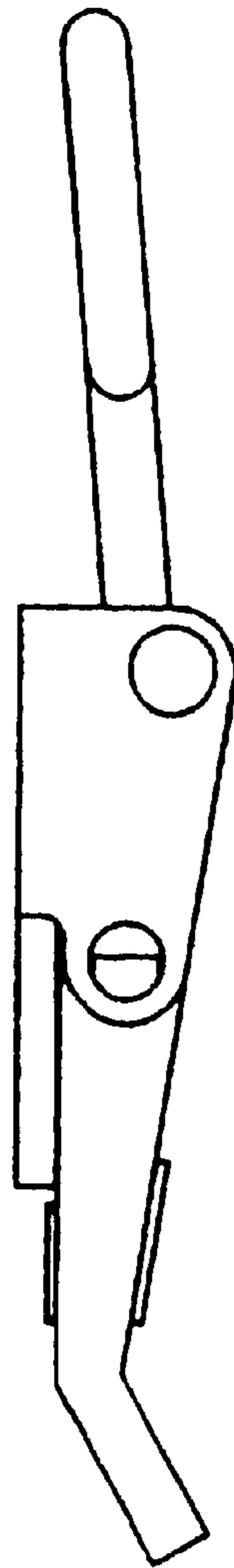


Fig. 12

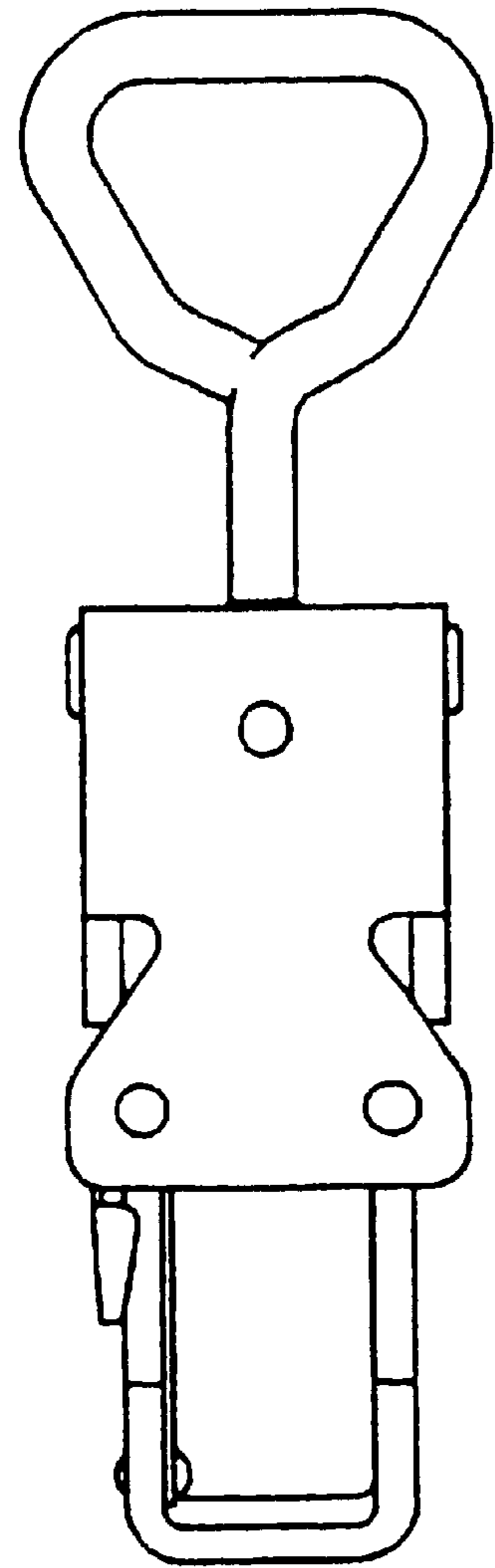


Fig. 13

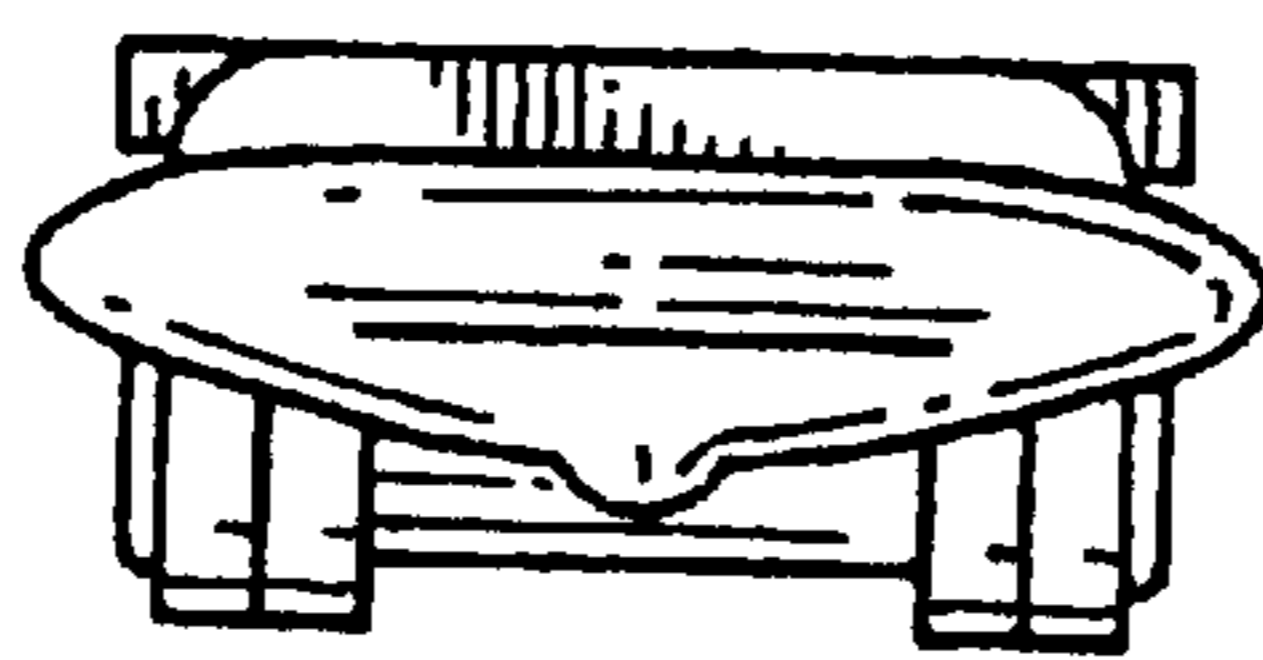


Fig. 14