

US00D543094S

(12) **United States Design Patent** (10) **Patent No.:** **US D543,094 S**
Remmers (45) **Date of Patent:** **** May 22, 2007**

(54) **TRACK FOR A SHELVING SYSTEM**

FOREIGN PATENT DOCUMENTS

(75) Inventor: **Lee E. Remmers**, Ocala, FL (US)

CA 2245809 8/1998

(73) Assignee: **Clairson, Inc.**, Newark, DE (US)

OTHER PUBLICATIONS

(**) Term: **14 Years**

Dahlstrom catalog, track, p. 108, circled at right of page, Mar. 20, 1967.*

(21) Appl. No.: **29/239,294**

U.S. Appl. No. 60/434,470, filed Dec. 18, 2002, Costa et al.

(22) Filed: **Sep. 28, 2005**

Primary Examiner—Holly H. Baynham

(74) *Attorney, Agent, or Firm*—Harness, Dickey & Pierce, P.L.C.

Related U.S. Application Data

(57) **CLAIM**

(60) Continuation of application No. 11/194,849, filed on Aug. 1, 2005, now Pat. No. 7,086,543, which is a division of application No. 10/657,855, filed on Sep. 9, 2003, now Pat. No. 6,953,176.

The ornamental design for a track for a shelving system, as shown and described.

(51) **LOC (8) Cl.** **08-05**

DESCRIPTION

(52) **U.S. Cl.** **D8/377**

FIG. 1 is a front perspective view of a track for a shelving system, showing my new design;

(58) **Field of Classification Search** D8/377;
D25/119-125; 211/90.01, 186-187

FIG. 2 is a back perspective view of the track for a shelving system shown in FIG. 1;

See application file for complete search history.

FIG. 3 is a left side elevation view of the track for a shelving system shown in FIG. 1;

(56) **References Cited**

U.S. PATENT DOCUMENTS

3,208,406	A	9/1965	Maslow	
3,225,720	A	12/1965	Maslow	
3,717,258	A	2/1973	McKinnon	
3,763,794	A	10/1973	Fleck	
4,004,526	A	1/1977	King	
D252,668	S	* 8/1979	Rudinski D8/377
4,311,295	A	1/1982	Jamar, Jr.	
4,403,761	A	9/1983	Jamar	
D275,434	S	9/1984	Taub	
D286,495	S	11/1986	Blomdahl	
4,666,201	A	5/1987	Chap	
4,678,151	A	7/1987	Radek	
4,694,966	A	9/1987	Sorenson et al.	
4,843,977	A	7/1989	Bridges	

FIG. 4 is a right side elevation view of the track for a shelving system shown in FIG. 1;

FIG. 5 is a front elevation view of the track for a shelving system shown in FIG. 1;

FIG. 6 is a back elevation view of the of the track for a shelving system shown in FIG. 1;

FIG. 7 is a bottom plan view of the track for a shelving system shown in FIG. 1;

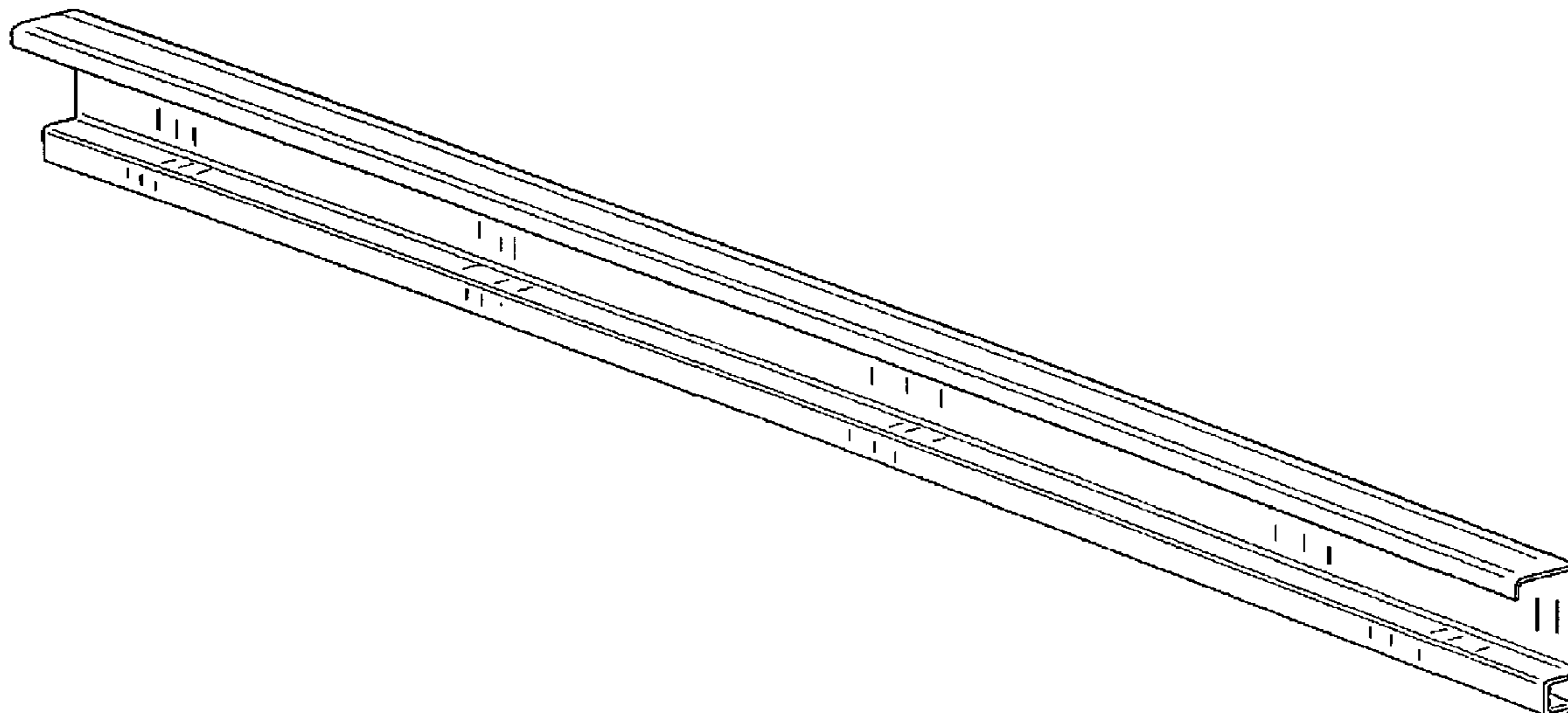
FIG. 8 is a top plan view of the track for a shelving system shown in FIG. 1; and,

FIG. 9 is a perspective view of the track for a shelving system shown in FIG. 1 being used to support a standard.

The broken lines are shown for illustrative purposes only and forms no part of the claimed design.

(Continued)

1 Claim, 6 Drawing Sheets



US D543,094 S

Page 2

U.S. PATENT DOCUMENTS

5,027,959 A	7/1991	Luukkonen	6,135,298 A	10/2000	Lechman
5,050,832 A	9/1991	Lee et al.	6,290,075 B1	9/2001	Cheimets et al.
5,101,989 A	4/1992	Jones	6,460,469 B1	10/2002	Dickinson et al.
5,110,080 A	5/1992	Rieman	6,520,355 B1	2/2003	Pritchard et al.
5,135,194 A *	8/1992	Laughon et al. 248/243	6,575,315 B2	6/2003	Zidek
5,185,971 A	2/1993	Johnson, Jr.	6,659,295 B1	12/2003	De Land et al.
5,513,908 A	5/1996	Williams	6,666,153 B2	12/2003	Dickinson et al.
5,549,379 A	8/1996	Jun et al.	6,669,154 B1	12/2003	Remmers
5,638,644 A *	6/1997	Bastian 52/36.6	6,758,355 B2	7/2004	Zedek
5,725,110 A	3/1998	Kluge et al.	6,953,176 B2	10/2005	Remmers
5,819,958 A	10/1998	Dement	2004/0007549 A1	1/2004	Klein et al.
5,897,002 A	4/1999	Carlino	2004/0045919 A1	3/2004	Remmers
6,050,426 A	4/2000	Leurdijk	2005/0011420 A1	1/2005	Costa et al.
D425,734 S	5/2000	Bauer	2005/0145588 A1	7/2005	Stitchick et al.
6,119,878 A	9/2000	Zen			

* cited by examiner

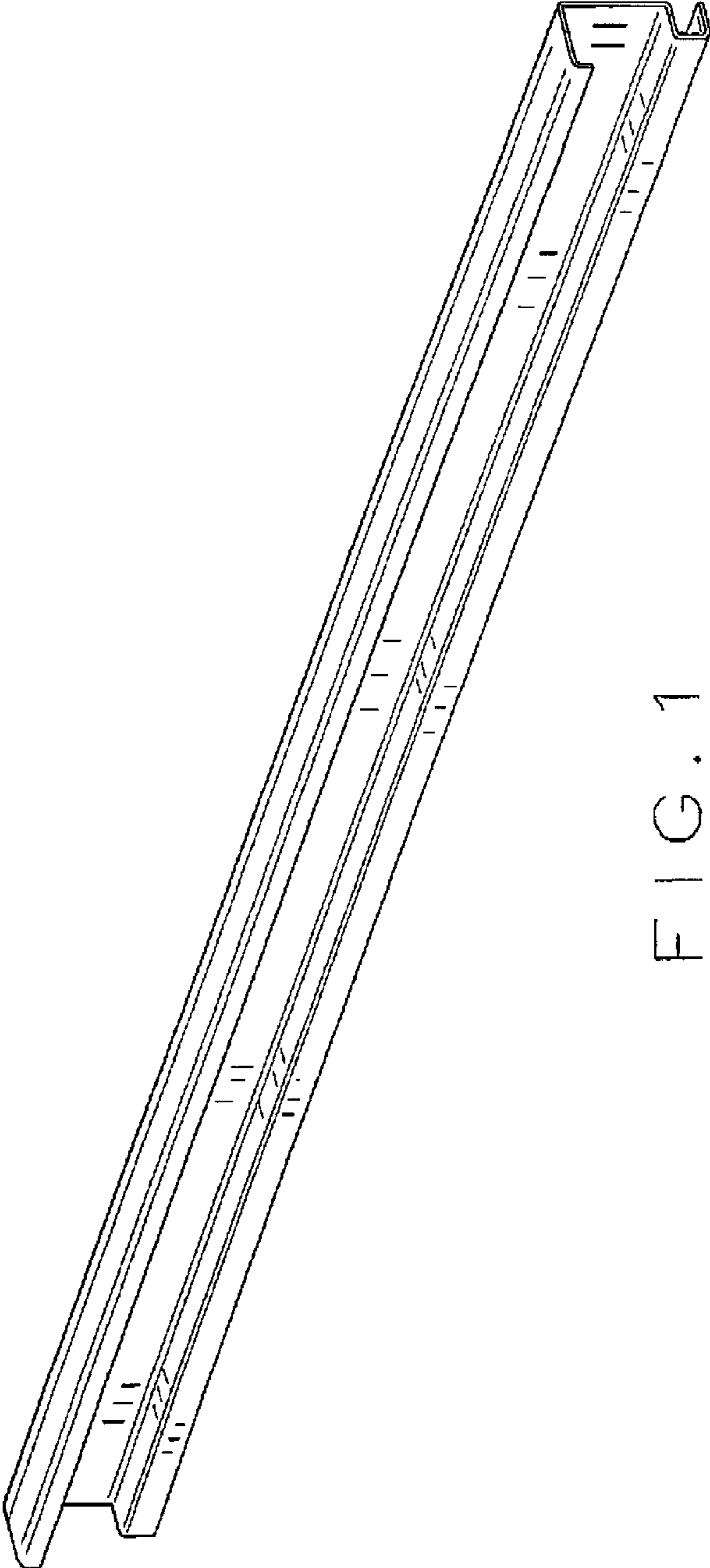


FIG. 1

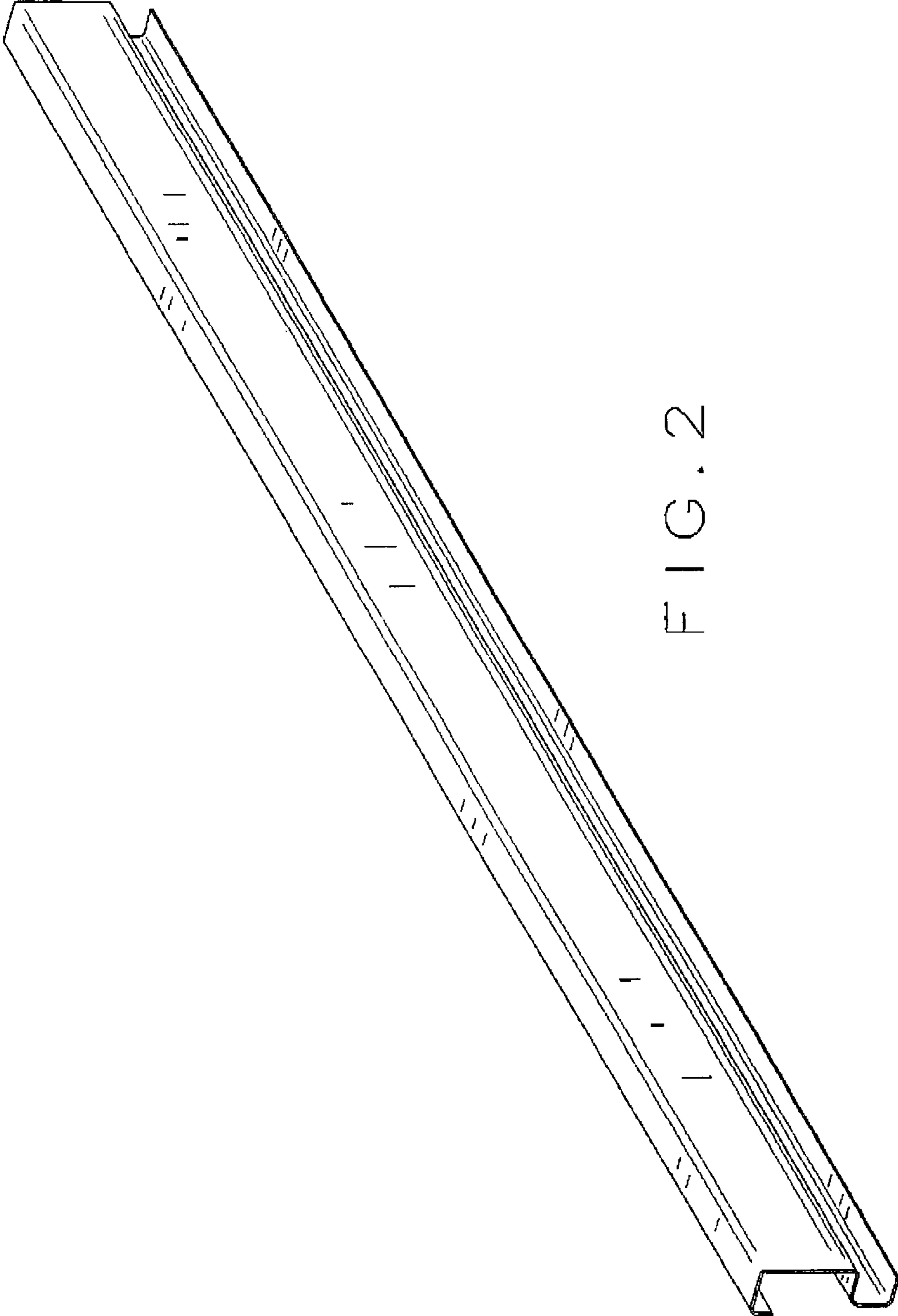


FIG. 2

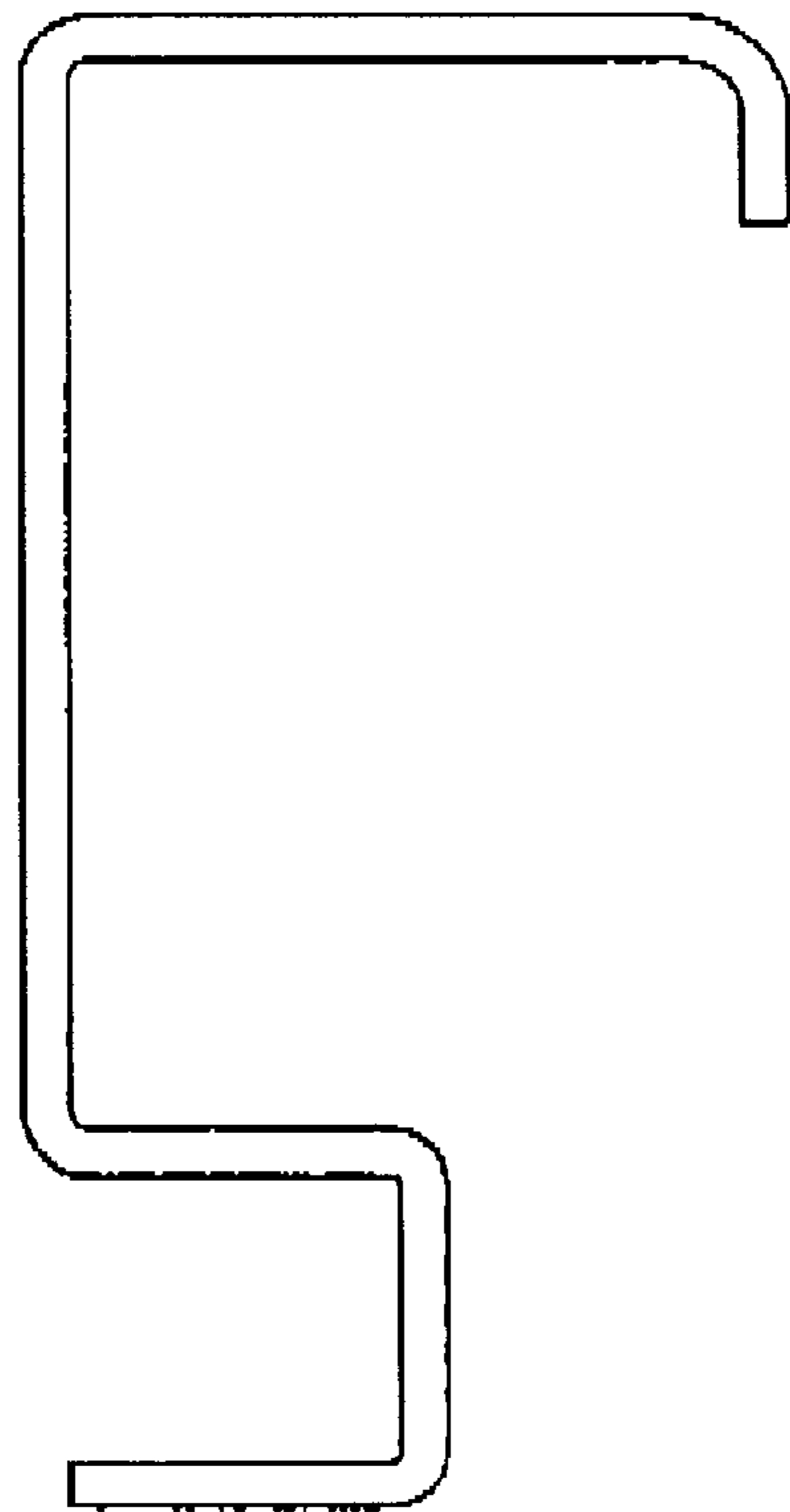


FIG. 3

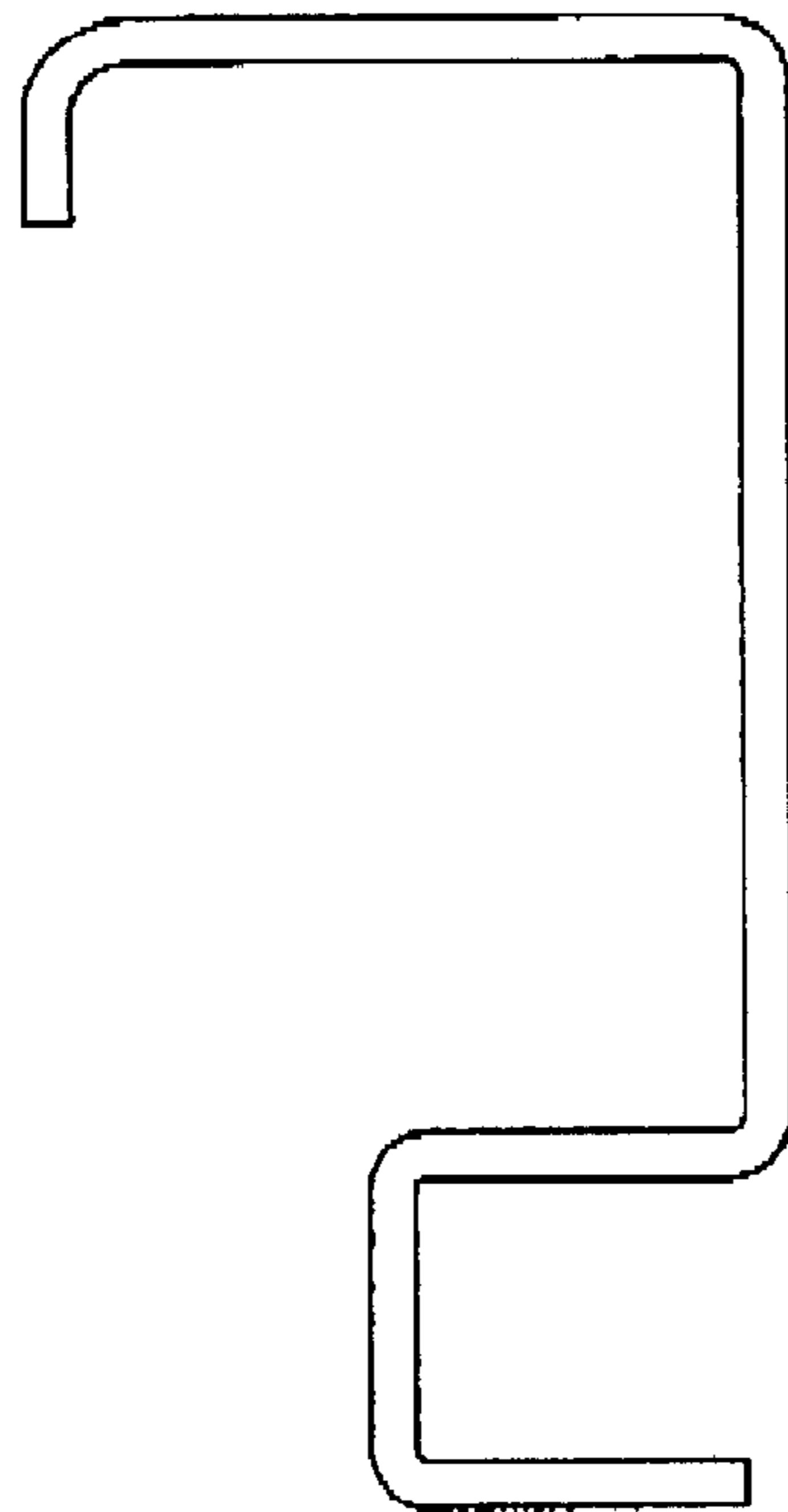


FIG. 4

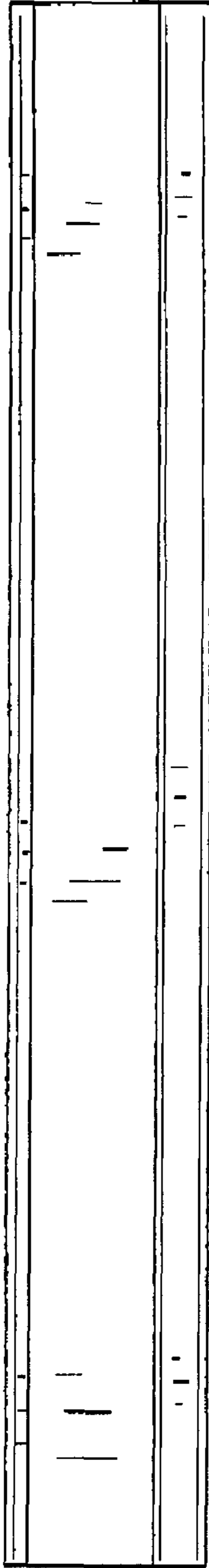


FIG. 5



FIG. 6

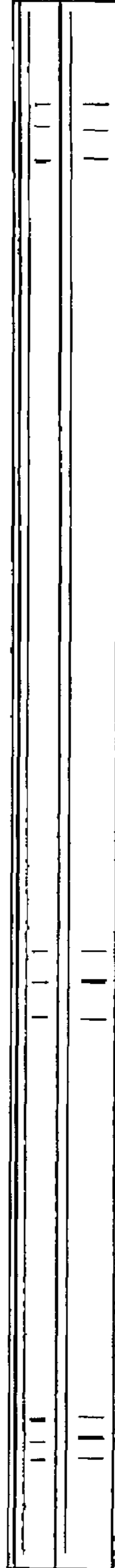


FIG. 7



FIG. 8

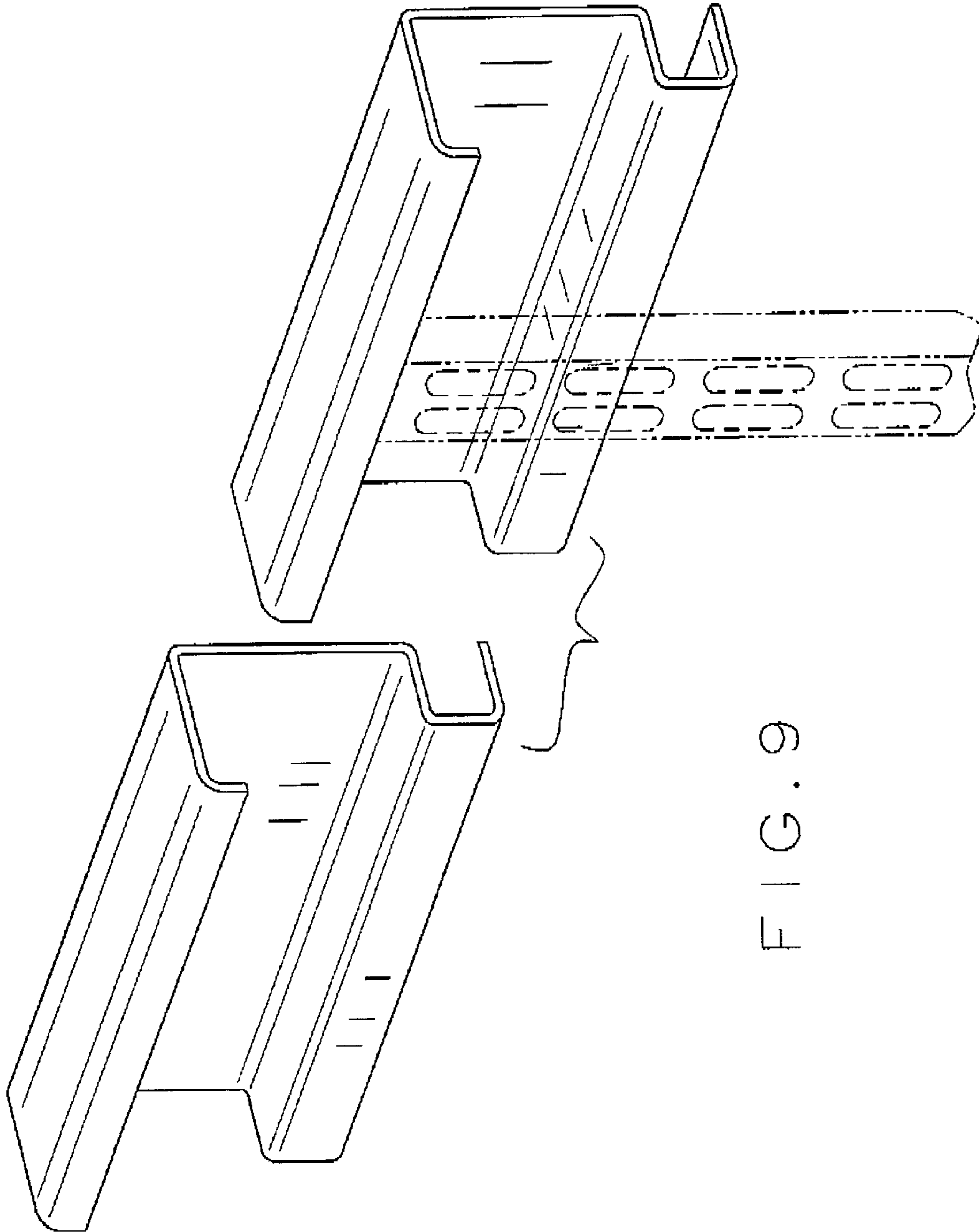


FIG. 9